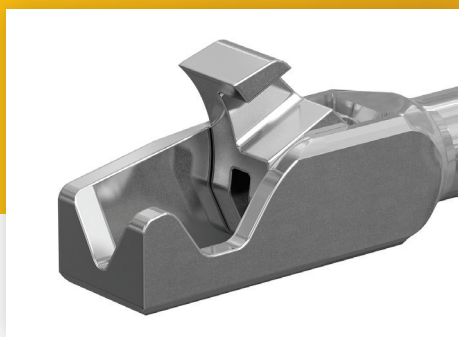


stryker

Big Dog

Flush Suture Cutter



Load inside or outside of the joint
Reliable cutting performance

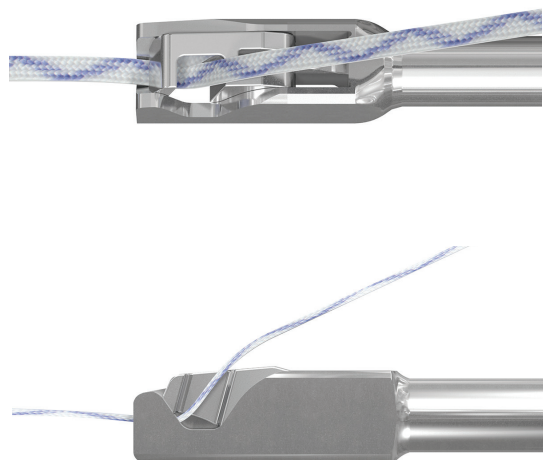
Sell sheet

Big Dog Flush Suture Cutter

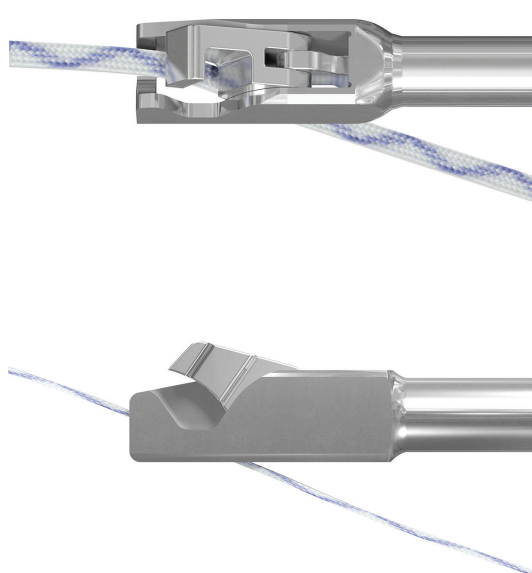
Stryker's Big Dog was designed for flush arthroscopic cutting of XBraid TT, Force Fiber Suture and the ProCinch Loop Implant.

The unique jaw design allows the suture to be loaded both inside and outside of the joint.

Loading suture inside of the joint



Loading suture outside of the joint



Big Dog offers reliable cutting performance with repeated use.*

- Up to two (2) tails of 2.0mm XBraid TT Suture Tape
- Up to four (4) tails of #2 Force Fiber Suture
- Up to four (4) tails of 1.2mm XBraid TT Suture Tape
- One (1) tail of ProCinch Adjustable Loop Implant

Ordering information

Description	Part Number
Big Dog Suture Cutter	234-102-102

Sports Medicine Division

A surgeon must always rely on his or her own professional clinical judgment when deciding whether to use a particular product when treating a particular patient. Stryker does not dispense medical advice and recommends that surgeons be trained in the use of any particular product before using it in surgery.

The information presented is intended to demonstrate the breadth of Stryker product offerings. A surgeon must always refer to the package insert, product label and/or instructions for use before using any Stryker product. Products may not be available in all markets because product availability is subject to the regulatory and/or medical practices in individual markets. Please contact your Stryker representative if you have questions about the availability of Stryker products in your area.

Stryker or its divisions or other corporate affiliated entities own, use or have applied for the following trademarks or service marks: Stryker. All other trademarks are trademarks of their respective owners or holders.

1000902820RevA
SC 9/18
Copyright © 2018 Stryker
*TR18398



Stryker Sports Medicine
5670 Greenwood Plaza Blvd, Ste 200
Greenwood Village, CO 80111 USA
t: 866 596 2022

www.stryker.com