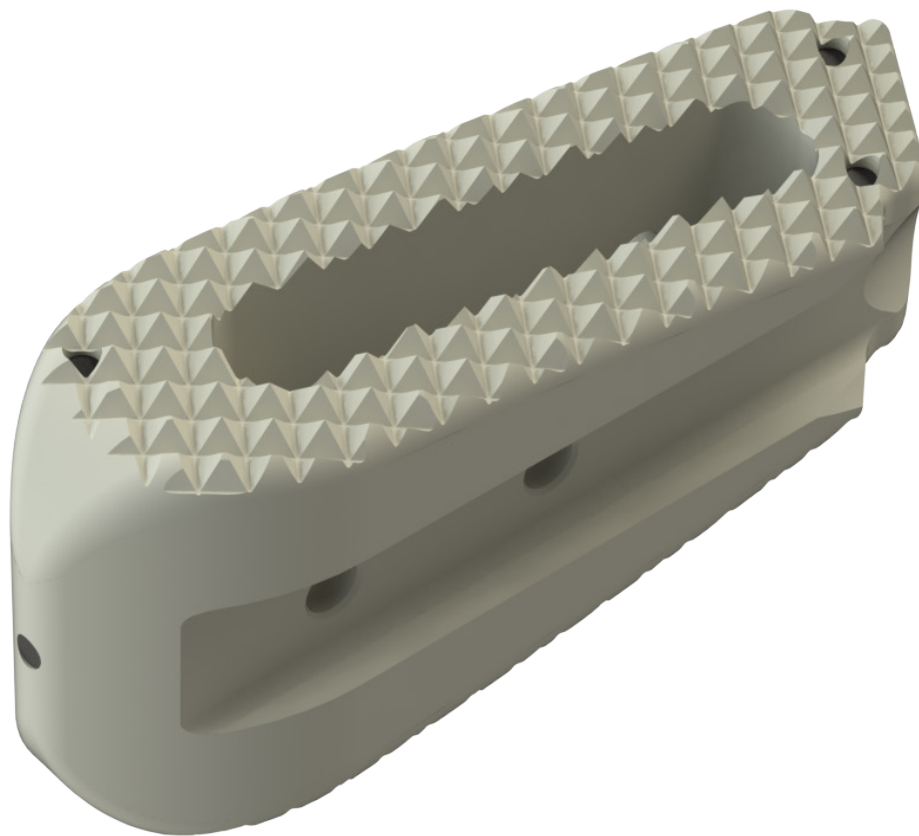


# Aleutian<sup>®</sup> AN

Anatomically-Narrow Lordotic-Oblique Interbody system

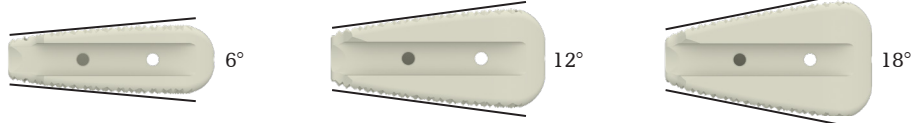


The Aleutian Anatomically-Narrow (AN) Lordotic-Oblique Interbody System has a full range of anatomically-designed PEEK interbodies for multiple spinal applications. The system is designed to offer a comprehensive solution to restore the biomechanical integrity of the anterior, middle, and posterior spinal column even in the absence of fusion for a prolonged period.

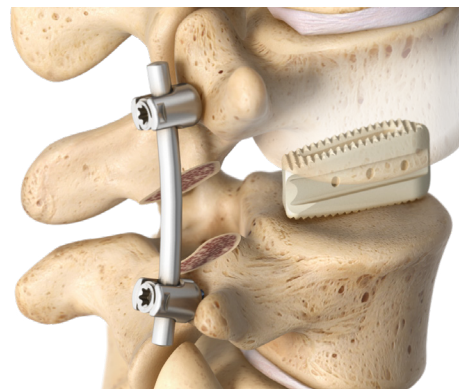
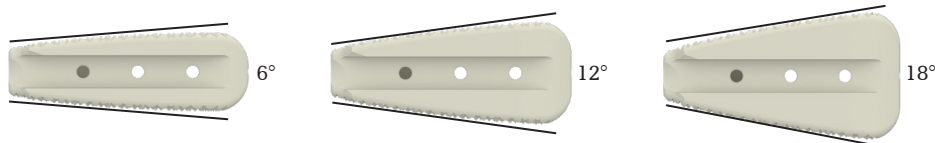
# Aleutian Anatomically-Narrow Lordotic-Oblique Interbody System

## Interbody design

8.5 x 28mm

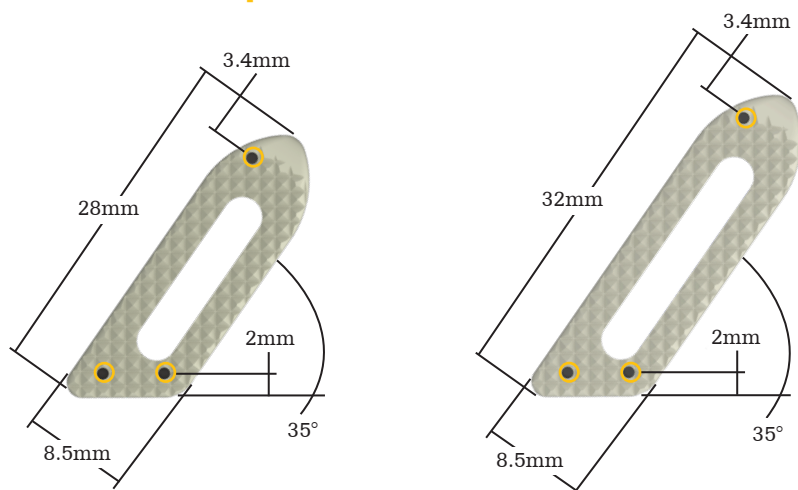


8.5 x 32mm



Representative image showing a one-level Aleutian AN Lordotic-Oblique construct

## Tantalum marker placement



## Inserter design features

Inserter designed to facilitate in-situ rotation



- 8.5 x 28 and 8.5 x 32mm footprints available in posterior heights ranging from 4–12mm and lordotic angles of 6°, 12°, and 18°
- Inserter built to support an insert and rotate technique
- Implant designed to match sagittal lordosis in an oblique orientation
- Convex design matches anatomic structure of endplates
- Manufactured of biocompatible PEEK polymer
- Angled posterior wall to accommodate vertebral anatomy
- Outer sleeve of inserter clamps down on implant to support insert and rotate technique

## Spine division

This document is intended solely for the use of healthcare professionals. A surgeon must always rely on his or her own professional clinical judgment when deciding whether to use a particular product when treating a particular patient. Stryker does not dispense medical advice and recommends that surgeons be trained in the use of any particular product before using it in surgery.

The information presented is intended to demonstrate the breadth of Stryker product offerings. A surgeon must always refer to the package insert, product label and/or instructions for use before using any Stryker product. The products depicted are CE marked according to the Medical Device Directive 93/42/EEC. Products may not be available in all markets because product availability is subject to the regulatory and/or medical practices in individual markets. Please contact your Stryker representative if you have questions about the availability of Stryker products in your area.

Stryker Corporation or its divisions or other corporate affiliated entities own, use or have applied for the following trademarks or service marks: Aleutian, K2M, Stryker. All other trademarks are trademarks of their respective owners or holders.

ALEALO-SS-1\_25374  
Copyright © 2020 Stryker



K2M, Inc.  
600 Hope Parkway SE  
Leesburg, VA 20175  
t: 571 919 2000

www.stryker.com