

stryker

Restoration[®] Modular Revision Hip System

Rest easy with Restoration Modular



Restoration modular reputation

Established

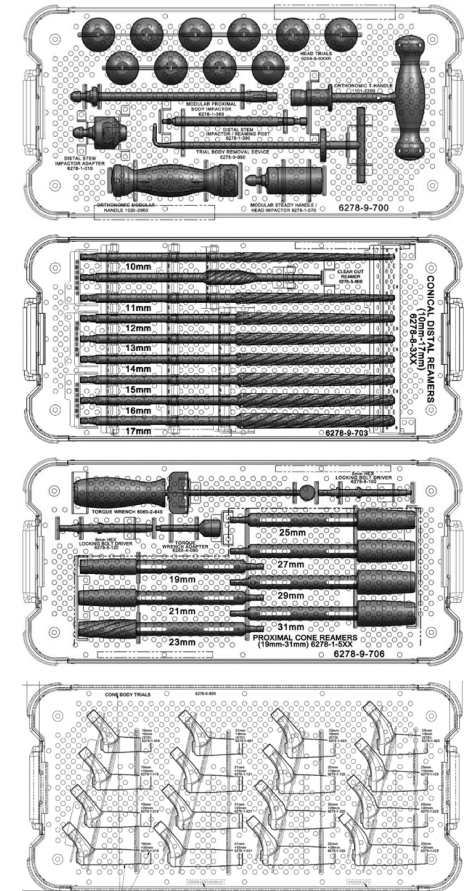
Launched in 2003, there have been over 181,000 Restoration Modular constructs implanted globally; providing solutions for femoral Type 1 through Type 4 revisions over the past 18 years.¹

Versatile

The Restoration Modular System provides the flexibility to help address a broad range of revision scenarios. Stryker's SOMA-verified^{1,2} 115mm conical stem facilitates ease of insertion and is designed to accommodate your approach.

Simple

Historically simple, straight-forward instruments designed to allow for OR efficiency are further refined to fewer trays and streamlined instrumentation: helping to lower sterilization costs and creating a system more suitable for today's healthcare environment.



Proximal flexibility

Cone body

Designed to help maintain axial and rotational stability.¹

Features

Coating:

Ti Plasma Spray + PureFix HA

Body diameter:

19mm, 21mm, 23mm, 25mm, 27mm, 29mm, 31mm

Body heights:

70mm, 80mm, 90mm, 100mm

Offset:

34mm, 36mm, 40mm, 44mm (25mm diameter and above)

Stem compatibility:

Conical Stem, Plasma Stem



Calcar body

Designed to help maintain axial and rotational stability while enabling trochanteric reattachment and cerclage fixation.¹

Features

Coating:

Ti Plasma Spray + PureFix HA

Body diameter:

19mm, 21mm, 23mm, 25mm, 27mm, 29mm, 31mm

Body heights:

80mm, 90mm, 100mm

Offset:

34mm, 36mm, 40mm, 44mm (25mm diameter and above)

Stem compatibility:

Conical Stem, Plasma Stem

Distal adaptability

Conical Stem

Designed to provide immediate distal fixation and rotational stability.

Features

Coating:

Heavy grit-blast

Trunnion:

Shot peening process

Body compatibility:

Cone body, calcar body

Stem lengths:

115mm (straight)
155mm (straight)
195mm (straight and bowed)
235mm (bowed)

Diameter:

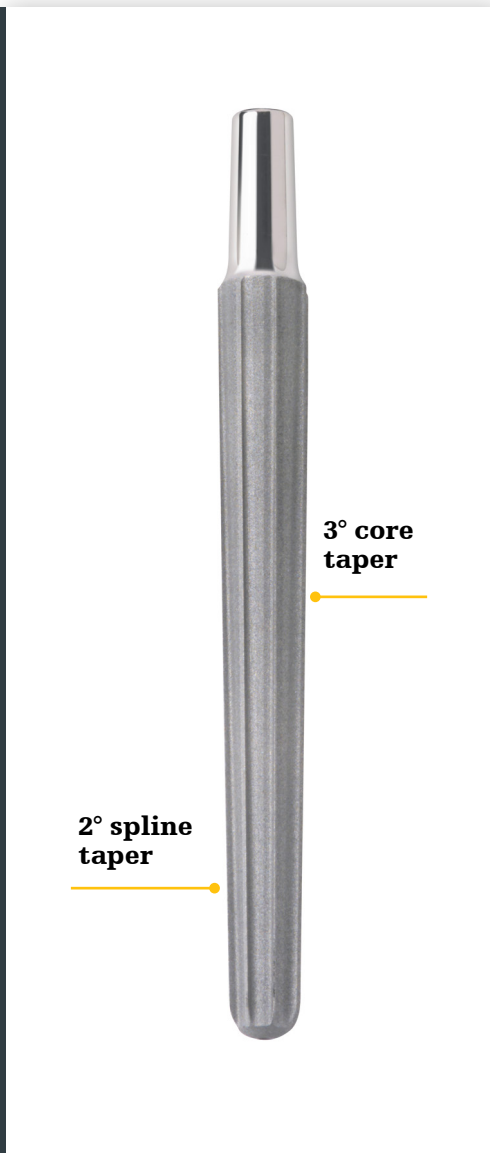
115mm stems:
12 – 23mm
(in 1mm increments)

155, 195, 235mm stems:
14 – 28mm
(in 1mm increments)

Distal tip diameter:

115mm stems:
8 - 19mm
(in 1mm increments)

155, 195, 235mm stems:
10 - 24mm
(in 1mm increments)



Plasma Stem

Designed to achieve initial distal fixation and biological fixation across the stem length in the long term.

Features

Coating:

Ti Plasma spray + PureFix HA

Trunnion:

Shot peening process

Body compatibility:

Cone body, calcar body

Stem lengths:

127mm, 167mm
(straight and bowed)
217mm (bowed)

Diameter:

11mm – 26mm
(1mm increments)

Tried and trusted taper strength

Revision Total Hip Arthroplasty (THA) should not take away from the patient's daily activity.

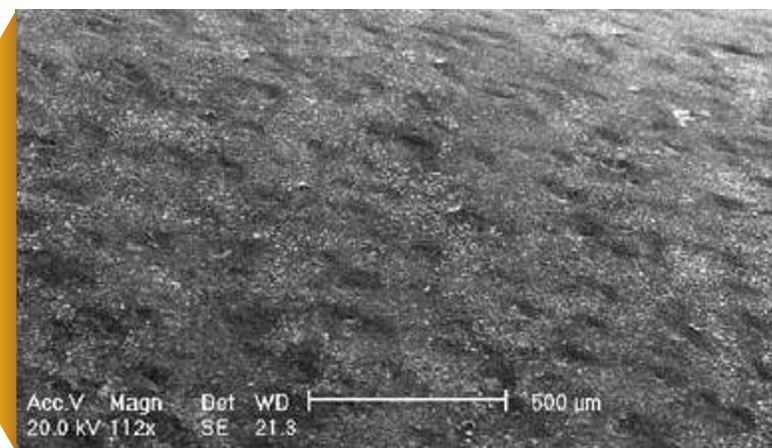
Based on bench top testing, Restoration Modular has demonstrated that it can withstand daily activity after revision THA such as stair climbing and rising from a seated position.^{3, 5, 8, 9, 10}

Shot Peening

To enhance fatigue strength and resistance to fretting and increase the fatigue strength of the taper junction, Stryker Orthopaedics utilizes a proprietary shot peening process on its Restoration Modular Hip System junction.^{1,2}

Based on bench-top testing, Stryker's proprietary shot peening process has provided a 33% increase in taper fatigue strength compared to non-shot peened junction.^{5*}

No reported taper junction failure in over 181,000 cases since 2003.^{1,14,15}



*Results from a bench top testing

Tested for success

Fatigue testing at the taper junction

Stryker's test parameters⁵:

Potting level:

Distal stem is potted such that proximal / distal taper junction is above potting medium

Proximal body:

25mm +0 Cone Body

Head:

+12mm

Offset:

53mm

Orientation:

10° Valgus / 9° Flexion

ISO 7206-4 requirement¹³:
2,300N (517lbs)
5 million cycles

Stryker's requirement⁵:
4,450N (1,000lbs)
10 million cycles



Fatigue testing at the neck region

Stryker's test parameters^{7, 12}:

Load¹²:

5,340N (1,200lbs)

Maximum compressive load

Duration¹²:

10 million cycles

Proximal body:

25mm +0mm Cone Body

Head:

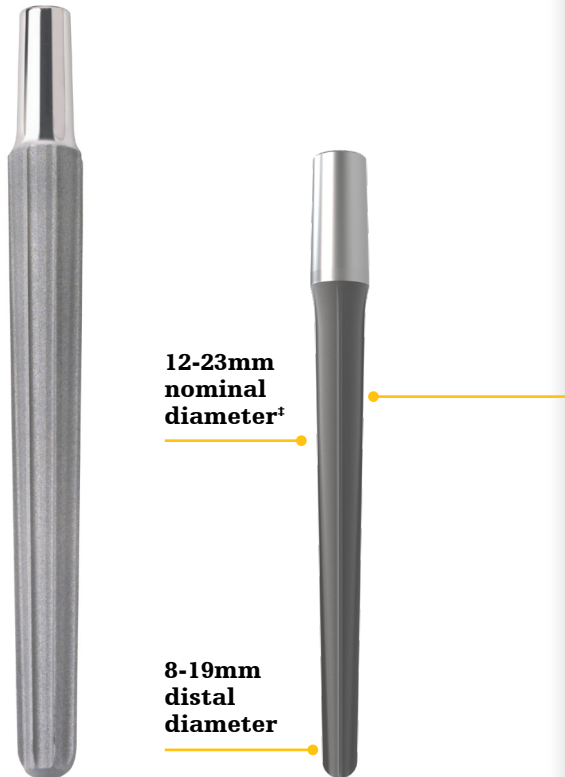
+12mm

Offset:

53mm



Revision heritage



Streamlined instrumentation

Reduced trays provide operating flexibility to accommodate a variety of revision cases, as well as difficult primaries.**

* When paired with the 70mm cone body height.

** Depending on the stem size you may require more than 4 trays

† Refer to the Instructions for Use for the indications cleared for these products in your country.

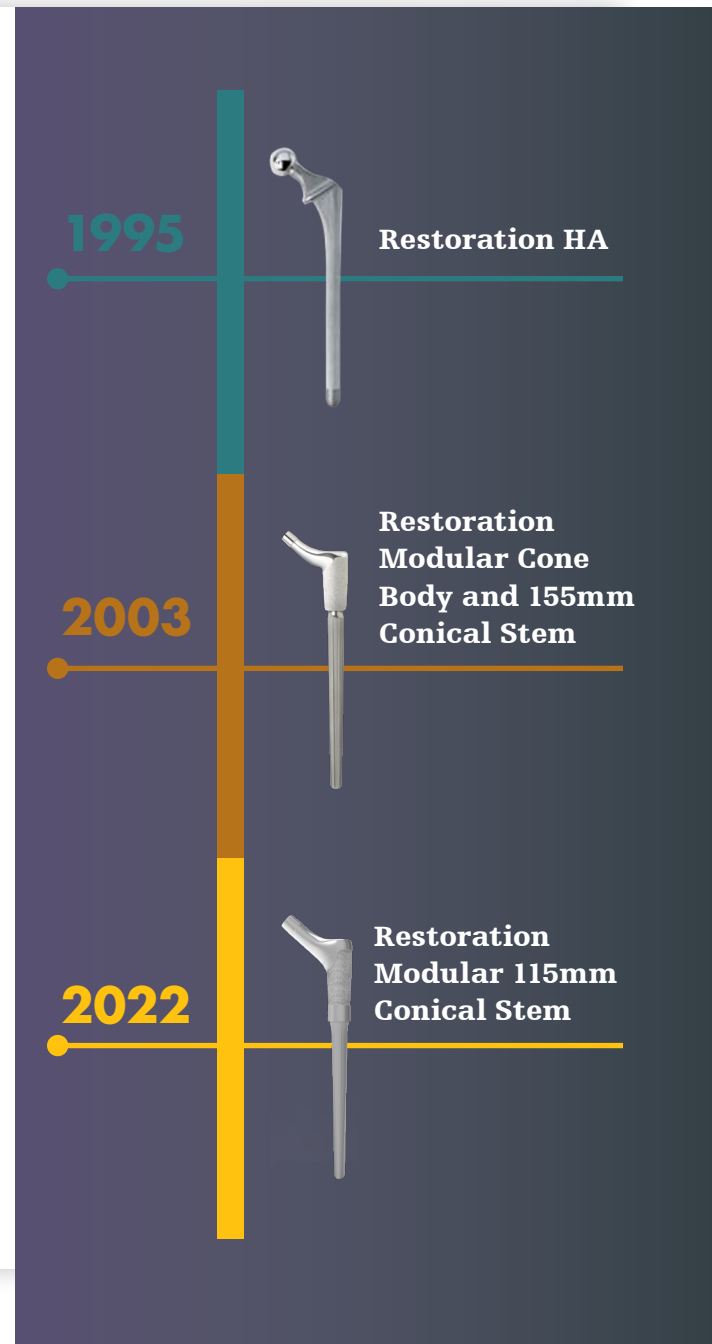
‡ The 115mm stem diameter is measured at an extrapolated point 120mm from the distal tip.

Designed to fit your approach

The new 115mm Restoration Modular Conical Stem expands Stryker's renowned revision portfolio; enabling a muscle-sparing surgical approach. Since its launch in 2003, the Restoration Modular hip system has accumulated outstanding results; including **96.9%** survivorship for the **whole group** at 5 years (64 patients with Type 1 & 2 and 52 patients with Type 3 & 4) with no clinically significant difference in subsidence, loosening, dislocation, infection, and medical complications between the groups in a prospective multicenter study.⁴

Shortest total construct within Stryker's revision portfolio*

The 115mm conical distal stem is designed to address type 1 to type 4 revision cases, complex primary cases, and cases with Dorr Type A femurs that require shorter stems.^{12†}



Celebrating a renowned portfolio

Stryker's comprehensive revision portfolio offers a variety of solutions to help meet your needs for revision and complex primary cases and is poised to elevate your care.*

Trident II

- Additive manufactured Tritanium
- Surface porosity: 76%¹⁶
- Average porosity: 60%¹⁶
- Average pore size: 434 microns¹⁶
- Coefficient of friction: 1.2^{17, 18}
- Shell size: 42-72mm
- Smallest liner code: A
- 54mm liner code: E

Restoration Anatomic Shell

- Tritanium surface
- Offset center of rotation
- Anterior/superior beveled rim
- Peripheral rim screws
- Shell size: 54-80mm
- Smallest liner code: C

Exeter X3 RimFit

- Highly cross-linked polyethylene
- 4 PMMA cement spacers
- Mini flange design
- Expansive range of head to cup compatibility

Head Diameter (mm)	Outer Cup Diameter (mm)
28	44
32	48
36	52
40	56



*Refer to the Instructions for Use for the indications cleared for these products in your country.

Ream with confidence

Stryker's new TiN coated Restoration Modular reamers when paired with the 115mm conical stem allow for increased implant options, and accommodate varying femoral canals.

10mm Starter Reamer



Clear-Out Reamer



Distal Reamer

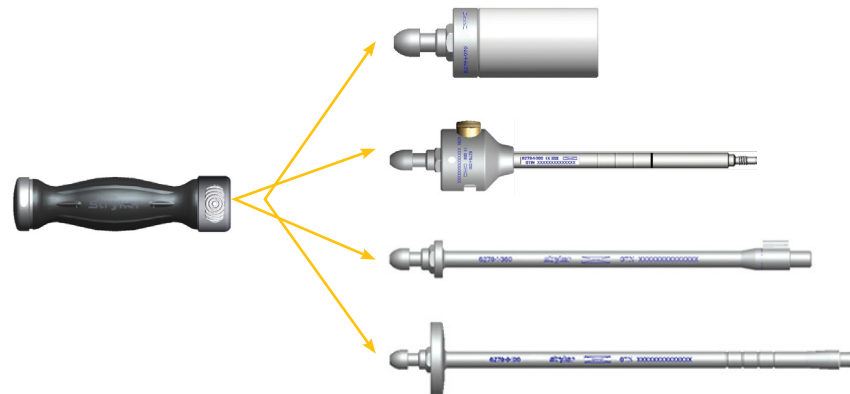


The new 115mm conical stem may reduce the risk of femoral shaft perforation in smaller anatomy and patients with a strong femoral A/P bow.



Instrument efficiency

Updated instrumentation is now compatible with the Orthonomic Modular Handle.



Streamlined steps

The modular stem inserter pre-assembled with the Distal Stem Impactor / Reaming Post allows for further operating efficiency. Surgical steps with new instrumentation are now more concise and designed to simplify your revision cases.

Step 1
Distal reaming



Step 2
Distal stem insertion



Step 3
Proximal body preparation



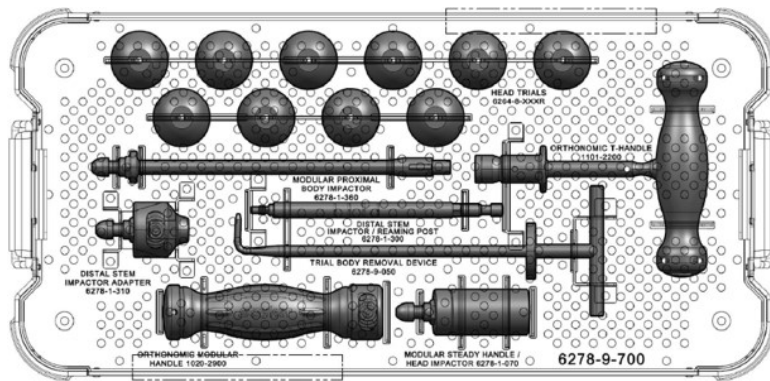
Step 4
Final trial and implant assembly



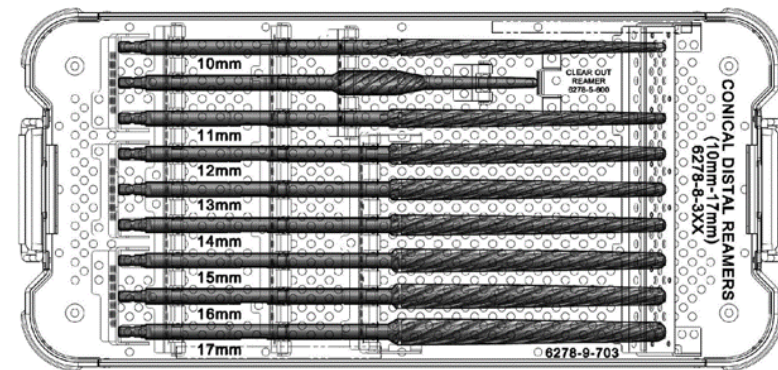
Streamlined trays

Streamlined instrumentation and fewer trays can help lower sterilization costs and create a system more suitable for today's healthcare environment. Reduced trays provide operating flexibility to accommodate a variety of revision cases, as well as difficult primaries.

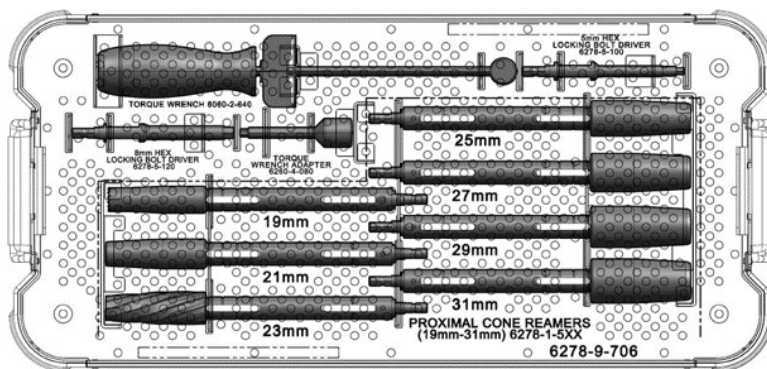
New instruments with the 115mm conical stem are compatible with all current size offerings with only 4 core trays.* Restoration Modular is designed to meet the needs of various patient anatomies; your instrumentation should be as well.



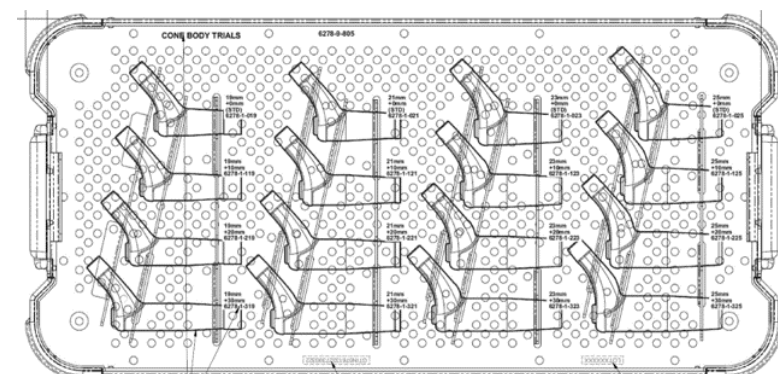
General Instruments Tray



Distal Reamers Tray 10mm-17mm



Proximal Cone Reamers Tray



Cone Body Trials Tray 19mm-25mm

*Depending on the stem size you may require more than 4 trays.

Ordering information: Implants

Cone body



Cone bodies

Catalog no.	Size (mm)
6276-1-019	19 +0 (std)
6276-1-119	19 +10
6276-1-219	19 +20
6276-1-319	19 +30
6276-1-021	21 +0 (std)
6276-1-121	21 +10
6276-1-221	21 +20
6276-1-321	21 +30
6276-1-023	23 +0 (std)
6276-1-123	23 +10
6276-1-223	23 +20
6276-1-323	23 +30
6276-1-025	25 +0 (std)
6276-1-125	25 +10
6276-1-225	25 +20
6276-1-325	25 +30

Cone bodies

Catalog no.	Size (mm)
6276-1-027	27 +0 (std)
6276-1-127	27 +10
6276-1-227	27 +20
6276-1-327	27 +30
6276-1-029	29 +0 (std)
6276-1-129	29 +10
6276-1-229	29 +20
6276-1-329	29 +30
6276-1-031	31 +0 (std)
6276-1-131	31 +10
6276-1-231	31 +20
6276-1-331	31 +30

Conical stem



Conical distal stems - straight

Catalog no.	Size (mm)
6276-7-114	14 x 195
6276-7-115	15 x 195
6276-7-116	16 x 195
6276-7-117	17 x 195
6276-7-118	18 x 195
6276-7-119	19 x 195
6276-7-120	20 x 195
6276-7-121	21 x 195
6276-7-122	22 x 195
6276-7-123	23 x 195
6276-7-124	24 x 195
6276-7-125	25 x 195
6276-7-126	26 x 195
6276-7-127	27 x 195
6276-7-128	28 x 195

Conical distal stems - straight

Catalog no.	Size (mm)
6276-7-412	12 x 115
6276-7-413	13 x 115
6276-7-414	14 x 115
6276-7-415	15 x 115
6276-7-416	16 x 115
6276-7-417	17 x 115
6276-7-418	18 x 115
6276-7-419	19 x 115
6276-7-420	20 x 115
6276-7-421	21 x 115
6276-7-422	22 x 115
6276-7-423	23 x 115

Conical distal stems - bowed

Catalog no.	Size (mm)
6276-7-214	14 x 195
6276-7-215	15 x 195
6276-7-216	16 x 195
6276-7-217	17 x 195
6276-7-218	18 x 195
6276-7-219	19 x 195
6276-7-220	20 x 195
6276-7-221	21 x 195
6276-7-222	22 x 195
6276-7-223	23 x 195
6276-7-224	24 x 195
6276-7-225	25 x 195
6276-7-226	26 x 195
6276-7-227	27 x 195
6276-7-228	28 x 195

Conical distal stems - straight

Catalog no.	Size (mm)
6276-7-014	14 x 155
6276-7-015	15 x 115
6276-7-016	16 x 115
6276-7-017	17 x 115
6276-7-018	18 x 115
6276-7-019	19 x 115
6276-7-020	20 x 115
6276-7-021	21 x 115
6276-7-022	22 x 115
6276-7-023	23 x 115
6276-7-024	24 x 115
6276-7-025	25 x 115
6276-7-026	26 x 115
6276-7-027	27 x 115
6276-7-028	28 x 115

Conical distal stems - bowed

Catalog no.	Size (mm)
6276-7-314	14 x 235
6276-7-315	15 x 235
6276-7-316	16 x 235
6276-7-317	17 x 235
6276-7-318	18 x 235
6276-7-319	19 x 235
6276-7-320	20 x 235
6276-7-321	21 x 235
6276-7-322	22 x 235
6276-7-323	23 x 235
6276-7-324	24 x 235
6276-7-325	25 x 235
6276-7-326	26 x 235
6276-7-327	27 x 235
6276-7-328	28 x 235

Ordering information: Implants

Calcar body



Calcar bodies

Catalog no.	Size (mm)
6276-4-119	19 +10
6276-4-219	19 +20
6276-4-319	19 +30
6276-4-121	21 +10
6276-4-221	21 +20
6276-4-321	21 +30
6276-4-123	23 +10
6276-4-223	23 +20
6276-4-323	23 +30
6276-4-125	25 +10
6276-4-225	25 +20
6276-4-325	25 +30
6276-4-127	27 +10
6276-4-227	27 +20
6276-4-327	27 +30
6276-4-129	29 +10
6276-4-229	29 +20
6276-4-329	29 +30
6276-4-131	31 +10
6276-4-231	31 +30
6276-4-331	31 +30

Plasma stem



Plasma stems - straight

Catalog no.	Size (mm)
6276-5-011	11 x 127
6276-5-012	12 x 127
6276-5-013	13 x 127
6276-5-014	14 x 127
6276-5-015	15 x 127
6276-5-016	16 x 127
6276-5-017	17 x 127
6276-5-018	18 x 127
6276-5-019	19 x 127
6276-5-020	20 x 127
6276-5-021	21 x 127
6276-5-022	22 x 127
6276-5-023	23 x 127
6276-5-024	24 x 127
6276-5-025	25 x 127
6276-5-026	26 x 127

Plasma stems - bowed

Catalog no.	Size (mm)
6276-5-411	11 x 227
6276-5-412	12 x 227
6276-5-413	13 x 227
6276-5-414	14 x 227
6276-5-415	15 x 227
6276-5-416	16 x 227
6276-5-417	17 x 227
6276-5-418	18 x 227
6276-5-419	19 x 227
6276-5-420	20 x 227
6276-5-421	21 x 227
6276-5-422	22 x 227
6276-5-423	23 x 227
6276-5-424	24 x 227
6276-5-425	25 x 227
6276-5-426	26 x 227

Plasma stems - straight

Catalog no.	Size (mm)
6276-5-111	11 x 167
6276-5-112	12 x 167
6276-5-113	13 x 167
6276-5-114	14 x 167
6276-5-115	15 x 167
6276-5-116	16 x 167
6276-5-117	17 x 167
6276-5-118	18 x 167
6276-5-119	19 x 167
6276-5-120	20 x 167
6276-5-121	21 x 167
6276-5-122	22 x 167
6276-5-123	23 x 167
6276-5-124	24 x 167
6276-5-125	25 x 167
6276-5-126	26 x 167

Plasma stems - bowed

Catalog no.	Size (mm)
6276-5-511	11 x 267
6276-5-512	12 x 267
6276-5-513	13 x 267
6276-5-514	14 x 267
6276-5-515	15 x 267
6276-5-516	16 x 267
6276-5-517	17 x 267
6276-5-518	18 x 267
6276-5-519	19 x 267
6276-5-520	20 x 267
6276-5-521	21 x 267
6276-5-522	22 x 267
6276-5-523	23 x 267
6276-5-524	24 x 267
6276-5-525	25 x 267
6276-5-526	26 x 267

Plasma stems - bowed

Catalog no.	Size (mm)
6276-5-211	11 x 167
6276-5-212	12 x 167
6276-5-213	13 x 167
6276-5-214	14 x 167
6276-5-215	15 x 167
6276-5-216	16 x 167
6276-5-217	17 x 167
6276-5-218	18 x 167
6276-5-219	19 x 167
6276-5-220	20 x 167
6276-5-221	21 x 167
6276-5-222	22 x 167
6276-5-223	23 x 167
6276-5-224	24 x 167
6276-5-225	25 x 167
6276-5-226	26 x 167

Plasma stems - bowed

Catalog no.	Size (mm)
6276-5-611	11 x 317
6276-5-612	12 x 317
6276-5-613	13 x 317
6276-5-614	14 x 317
6276-5-615	15 x 317
6276-5-616	16 x 317
6276-5-617	17 x 317
6276-5-618	18 x 317
6276-5-619	19 x 317
6276-5-620	20 x 317
6276-5-621	21 x 317
6276-5-622	22 x 317
6276-5-623	23 x 317
6276-5-624	24 x 317
6276-5-625	25 x 317
6276-5-626	26 x 317

Ordering information: Instruments

General Instruments Tray

Catalog no.	Description
6278-9-700	Restoration Modular General Instruments Tray
6278-1-070*	Modular Steady Handle / Head Impactor
6278-1-300*	Distal Stem Impactor / Reaming Post
6278-1-310*	Distal Stem Impactor Adopter
6278-1-360*	Modular Proximal Body Impactor
1020-2900	Orthonomic Modular Handle
1101-2200	Orthonomic T-Handle
6278-9-050	Trail Body Removal Device
6264-8-032R	-4mm offset, 32 dia. FEM Head Trial
6264-8-132R	+0mm offset, 32 dia. FEM Head Trial
6264-8-232R	+4mm offset, 32 dia. FEM Head Trial
6264-8-332R	+8mm offset, 32 dia. FEM Head Trial
6264-8-432R	+12mm offset, 32 dia. FEM Head Trial
6264-8-632R	-2.5mm offset, 32 dia. FEM Head Trial
6264-8-036R	-5mm offset, 36 dia. FEM Head Trial
6264-8-136R	+0mm offset, 36 dia. FEM Head Trial
6264-8-236R	+5mm offset, 36 dia. FEM Head Trial
6264-8-336R	+10mm offset, 36 dia. FEM Head Trial
6264-8-436R	-2.5mm offset, 36 dia. FEM Head Trial
6264-8-536R	+2.5mm offset, 36 dia. FEM Head Trial
6264-8-736R	+7.5mm offset, 36 dia. FEM Head Trial
6264-8-040R	-4mm offset, 40 dia. FEM Head Trial
6264-8-140R	+0mm offset, 40 dia. FEM Head Trial
6264-8-240R	+4mm offset, 40 dia. FEM Head Trial
6264-8-340R	+8mm offset, 40 dia. FEM Head Trial
6264-8-440R	+12mm offset, 40 dia. FEM Head Trial
6264-8-940R	-2.5mm offset, 40 dia. FEM Head Trial

Auxiliary Instruments Tray

Catalog no.	Description
6278-9-701	Restoration Modular Auxiliary Instruments Tray
6278-8-100*	Conical Distal Stem Trial Impactor
1601-1210	Modular Box Osteostome
6278-1-200D	Distal Stem Inserter
6278-9-090	Large T-Handle
6278-1-150	Neck Resection Guide

Extraction Instruments Tray

Catalog no.	Description
6278-9-702	Restoration Modular Extraction Instruments Tray
6869-2-000	Driving Handle McReynolds Driver / Extractor
6278-9-080	McReynolds Proximal Body Adapter
6869-3-000	Sliding Hammer McReynolds Driver / Extractor
6869-1-000	Shaft McReynolds Driver / Extractor
6260-4-090	McReynolds Adapter
8000-0000	Quick Connect Handle
6278-9-070	Body / Stem Separator

Conical Distal Reamers Tray (10mm-17mm)

Catalog no.	Description
6278-9-703	Restoration Modular Conical Distal Reamers Tray (10mm-17mm)
6278-8-310*	10mm Starter Reamer
6278-8-311*	11mm Conical Distal Reamer
6278-8-312*	12mm Conical Distal Reamer
6278-8-313*	13mm Conical Distal Reamer
6278-8-314*	14mm Conical Distal Reamer
6278-8-315*	15mm Conical Distal Reamer
6278-8-316*	16mm Conical Distal Reamer
6278-8-317*	17mm Conical Distal Reamer
6278-5-600*	Clear-Out Reamer

Conical Distal Reamers Tray (18mm-23mm)

Catalog no.	Description
6278-9-704	Restoration Modular Conical Distal Reamers Tray (18mm-23mm)
6278-8-318*	18mm Conical Distal Reamer
6278-8-319*	19mm Conical Distal Reamer
6278-8-320*	20mm Conical Distal Reamer
6278-8-321*	21mm Conical Distal Reamer
6278-8-322*	22mm Conical Distal Reamer
6278-8-323*	23mm Conical Distal Reamer

Conical Distal Reamers Tray (24mm-28mm)

Catalog no.	Description
6278-9-705	Restoration Modular Conical Distal Reamers Tray (24mm-28mm)
6278-8-324*	24mm Conical Distal Reamer
6278-8-325*	25mm Conical Distal Reamer
6278-8-326*	26mm Conical Distal Reamer
6278-8-327*	27mm Conical Distal Reamer
6278-8-328*	28mm Conical Distal Reamer

Proximal Cone Reamers Tray

Catalog no.	Description
6278-9-706	Restoration Modular Proximal Cone Reamers Tray
6278-1-519	19mm Proximal Cone Reamer
6278-1-521	21mm Proximal Cone Reamer
6278-1-523	23mm Proximal Cone Reamer
6278-1-525	25mm Proximal Cone Reamer
6278-1-527	27mm Proximal Cone Reamer
6278-1-529	29mm Proximal Cone Reamer
6278-1-531	31mm Proximal Cone Reamer
6278-5-100	5mm Locking Bolt Driver
6278-5-120	8mm Locking Bolt Driver
6260-4-080	Torque Wrench Adapter
6060-2-640	Torque Wrench

*If your surgeon already has the trays shown here, these are the new additions to accommodate the 115mm conical stem.

Ordering information: Instruments

Conical Distal Stem Trials Tray 115mm

Catalog no.	Description
6278-9-708	Restoration Modular Conical Distal Stem Trials Tray 115mm
6278-8-412*	12mm x 115mm Conical Distal Stem Trial
6278-8-413*	13mm x 115mm Conical Distal Stem Trial
6278-8-414*	14mm x 115mm Conical Distal Stem Trial
6278-8-415*	15mm x 115mm Conical Distal Stem Trial
6278-8-416*	16mm x 115mm Conical Distal Stem Trial
6278-8-417*	17mm x 115mm Conical Distal Stem Trial
6278-8-418*	18mm x 115mm Conical Distal Stem Trial
6278-8-419*	19mm x 115mm Conical Distal Stem Trial
6278-8-420*	20mm x 115mm Conical Distal Stem Trial
6278-8-421*	21mm x 115mm Conical Distal Stem Trial
6278-8-422*	22mm x 115mm Conical Distal Stem Trial
6278-8-423*	23mm x 115mm Conical Distal Stem Trial

Cone Body Trials Tray (19mm-25mm)

Catalog no.	Description
6278-9-805	Restoration Modular Cone Body Trials Tray (19mm-25mm)
6278-1-019	19mm +0mm (STD) Cone Body Trial
6278-1-119	19mm +10mm Cone Body Trial
6278-1-219	19mm +20mm Cone Body Trial
6278-1-319	19mm +30mm Cone Body Trial
6278-1-021	21mm +0mm (STD) Cone Body Trial
6278-1-121	21mm +10mm Cone Body Trial
6278-1-221	21mm +20mm Cone Body Trial
6278-1-321	21mm +30mm Cone Body Trial
6278-1-023	23mm +0mm (STD) Cone Body Trial
6278-1-123	23mm +10mm Cone Body Trial
6278-1-223	23mm +20mm Cone Body Trial
6278-1-323	23mm +30mm Cone Body Trial
6278-1-025	25mm +0mm (STD) Cone Body Trial
6278-1-125	25mm +10mm Cone Body Trial
6278-1-225	25mm +20mm Cone Body Trial
6278-1-325	25mm +30mm Cone Body Trial

Cone Body Trials Tray (27mm-31mm)

Catalog no.	Description
6278-9-806	Restoration Modular Cone Body Trials Tray (27mm-31mm)
6278-1-027	27mm +0mm (STD) Cone Body Trial
6278-1-127	27mm +10mm Cone Body Trial
6278-1-227	27mm +20mm Cone Body Trial
6278-1-327	27mm +30mm Cone Body Trial
6278-1-029	29mm +0mm (STD) Cone Body Trial
6278-1-129	29mm +10mm Cone Body Trial
6278-1-229	29mm +20mm Cone Body Trial
6278-1-329	29mm +30mm Cone Body Trial
6278-1-031	31mm +0mm (STD) Cone Body Trial
6278-1-131	31mm +10mm Cone Body Trial
6278-1-231	31mm +20mm Cone Body Trial
6278-1-331	31mm +30mm Cone Body Trial

*If your surgeon already has the trays shown here, these are the new additions to accommodate the 115mm conical stem.

References:

1. Stryker sales data 2003 - 2022
2. Shot Peening Applications. Metal Improvement Company A Subsidiary of Curtiss-Wright Corp. 9th Edition.
3. Stryker R&D Test Reprt MT05049. Restoration Modular - Median Fatigue Strength Determination of Un-Shot Peened Distal Stem Trunnions. 2005.
4. Desai RR, Malkani AL, Hitt KD, Jaffe FF, Schurman JR 2nd, Shen J. Revision total hip arthroplasty using a modular femoral implant in Paprosky type III and IV femoral bone loss. J Arthroplasty. 2012 Sep;27(8):1492-1498.e1. doi: 10.1016/j.arth.2012.03.039. Epub 2012 Jun 27.
5. Stryker R&D Test Report MT03051. Restoration Modular Taper Junction Testing (3 Stage Process). 2003
6. ISO 7206-4:2002(E) Implants for Surgery – Partial and Total Hip Joint Prostheses – Part 4: Determination of Endurance
7. Stryker R&D Test Report RD-08-022. Restoration Modular Cone Body Neck Verification Testing. 2008.
8. Davy DT, Kotzar GM, Brown RH, et al. Telemetric Force Measurements across the Hip after Total Arthroplasty. J Bone Joint Surg Am. 1988 January 70(1): 45-50.
9. Bergmann G, Graichen F, Rohlmann A. Is Staircase Walking a Risk for the Fixation of Hip Implants? J. Biomechanics. 1995; Vol. 28, No. 5: 535-553.
10. Stryker R&D Test Report MT02094 . Disassembly of Contaminated Ti-6Al-4V ELI Taper Specimens by an Applied Torsion. 2002.
11. ISO 7206-6:1992(E) Implants for surgery -- Partial and Total Hip Joint Prostheses -- Part 6: Determination of Endurance Properties of Head and Neck Region of Stemmed Femoral Components.
12. Niyati Dave, Peter Tulkis, Westrich Geoffrey,MD,Ahmad Faizan. An Anthropometric Analysis Of Key Bone Morphological Parameters For A New Short Conical Stem Design. Orthopaedic Research Society 2022
13. ISO 7206-4:2010+A1:2016
14. Stryker TrackWise database 2003 - 2022.
15. Stryker SuPER database 2003 - 2022.
16. Stryker R&D Technical Report: Characterizing the Physical Properties of the Trident II Tritanium Acetabular Shell. May 22, 2017. A0021722
17. Stryker R&D Technical Report: Evaluation of the Coefficient of Friction of the Trident II Tritanium Surface. Sep 01, 2016. A0015751
18. Stryker R&D Technical Memo: Trident II Tritanium Acetabular Shell Coefficient of Friction

A surgeon must always rely on his or her own professional clinical judgment when deciding whether to use a particular product when treating a particular patient. Stryker does not dispense medical advice and recommends that surgeons be trained in the use of any particular product before using it in surgery.

The information presented is intended to demonstrate the breadth of Stryker's product offerings. A surgeon must always refer to the package insert, product label and/or instructions for use before using any of Stryker's products. Products may not be available in all markets because product availability is subject to the regulatory and/or medical practices in individual markets. Please contact your sales representative if you have questions about the availability of products in your area.

Stryker Corporation or its divisions or other corporate affiliated entities own, use, or have applied for the following trademarks or service marks: Restoration, Stryker, Trident, Tritanium. All other trademarks are trademarks of their respective owners or holders. The absence of a product, feature, or service name, or logo from this list does not constitute a waiver of Stryker's trademark or other intellectual property rights concerning that name or logo.