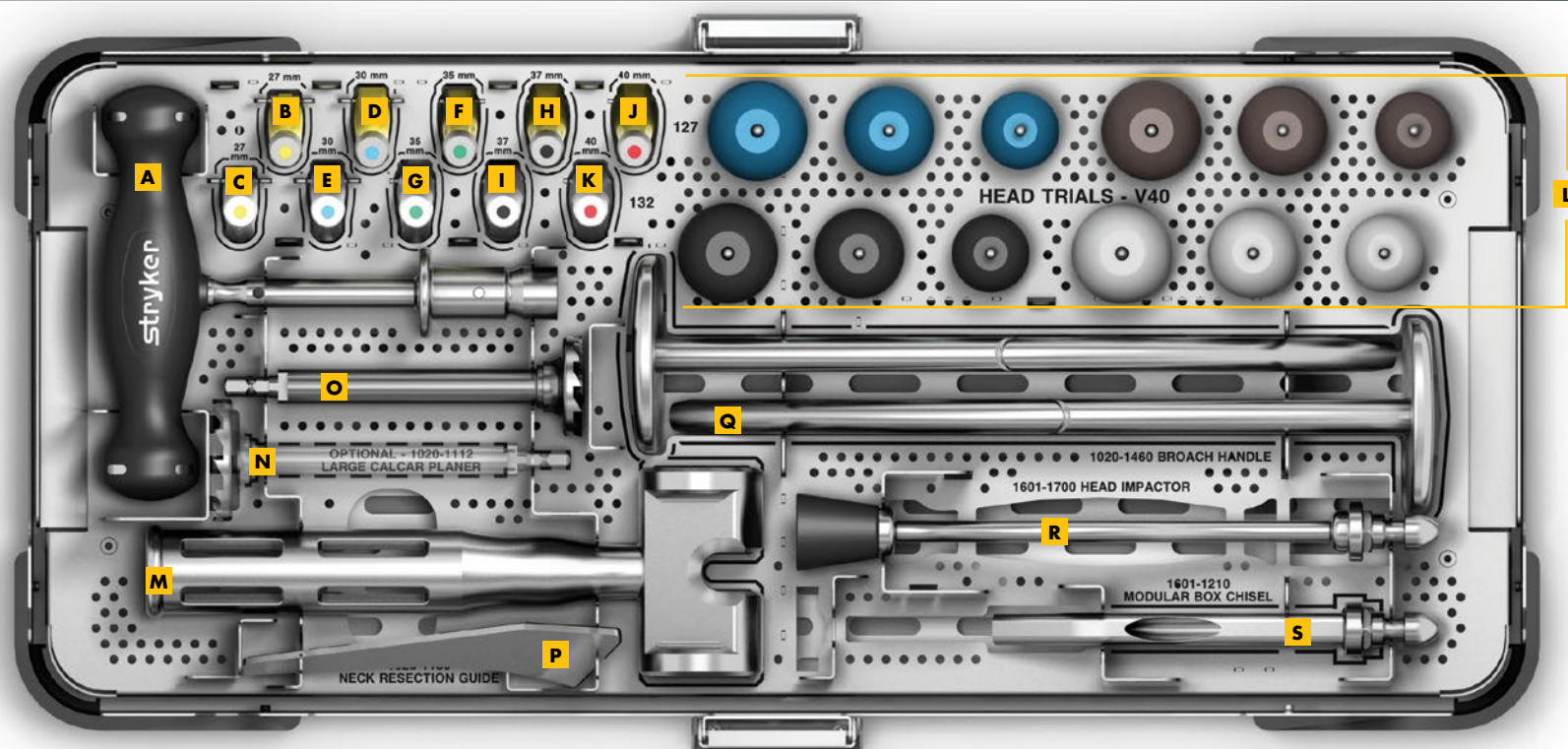


# Accolade® II

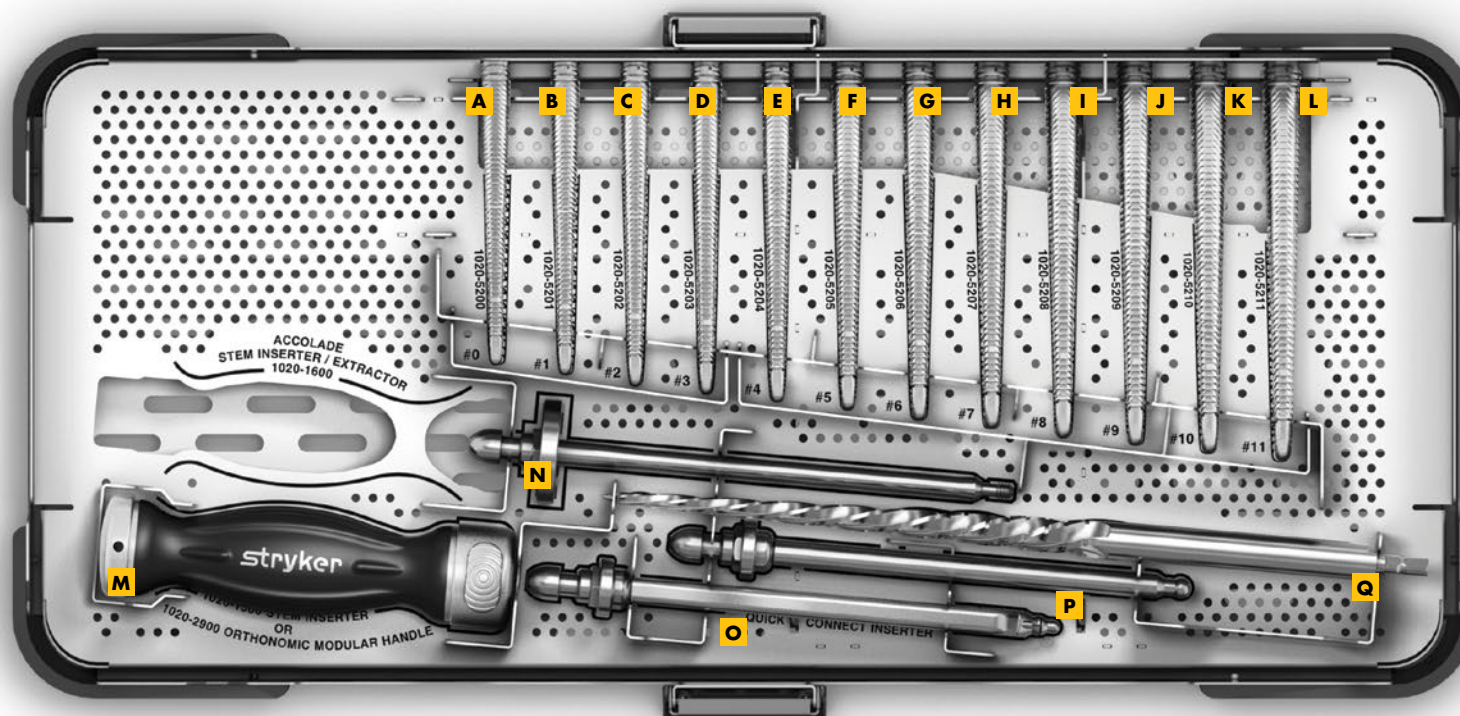
Basic tray - single tray case



Catalog #	Description	Qty	Catalog #	Description	Qty	Catalog #	Description	Qty	Catalog #	Description	Qty
<b>A</b>	1101-2200	1	<b>L</b>	6264-8-028R	1	<b>O</b>	1020-1111	1	<b>P</b>	1020-1100	1
<b>B</b>	1020-2727	1		6264-8-928R	1			1	<b>Q</b>	1020-1460	2
<b>C</b>	1020-3227	1		6264-8-128R	1			1		1440-1460	2
<b>D</b>	1020-2730	1		6264-8-228R	1			1	<b>R</b>	1601-1700	1
<b>E</b>	1020-3230	1		6264-8-328R	1			1	<b>S</b>	1601-1210	1
<b>F</b>	1020-2735	1		6264-8-428R	1			1			
<b>G</b>	1020-3235	1		6264-8-032R	1			1			
<b>H</b>	1020-2737	1		6264-8-632R	1			1			
<b>I</b>	1020-3237	1		6264-8-132R	1			1	<b>M</b>	1120-1000	1
<b>J</b>	1020-2740	1		6264-8-132R	1			1	<b>N</b>	1020-1112	1
<b>K</b>	1020-3240	1		6264-8-232R	1			1			
				6264-8-332R	1			1			

# Accolade® II

Broach tray - single tray case



Catalog #	Description	Qty
<b>A</b> 1020-5200	Size 0 ACCOLADE II Broach	1
<b>B</b> 1020-5201	Size 1 ACCOLADE II Broach	1
<b>C</b> 1020-5202	Size 2 ACCOLADE II Broach	1
<b>D</b> 1020-5203	Size 3 ACCOLADE II Broach	1
<b>E</b> 1020-5204	Size 4 ACCOLADE II Broach	1
<b>F</b> 1020-5205	Size 5 ACCOLADE II Broach	1
<b>G</b> 1020-5206	Size 6 ACCOLADE II Broach	1
<b>H</b> 1020-5207	Size 7 ACCOLADE II Broach	1
<b>I</b> 1020-5208	Size 8 ACCOLADE II Broach	1
<b>J</b> 1020-5209	Size 9 ACCOLADE II Broach	1
<b>K</b> 1020-5210	Size 10 ACCOLADE II Broach	1
<b>L</b> 1020-5211	Size 11 ACCOLADE II Broach	1

Catalog #	Description	Qty
<b>M</b> 1020-2900	Orthonomic Modular Handle	1
<b>N</b> 1020-1800	Modular Threaded Stem Inserter	1
<b>O</b> 1020-1860	Modular Offset Quick Connect Stem Inserter	1
<b>P</b> 1020-1870	Modular Stem Impactor	1
<b>Q</b> 1020-1200	Axial Starter Reamer	1

## Alternate instrument tray configuration

Catalog #	Description	Qty
1020-9102	General Tray	1
1020-9000	Single Tray Case	1
1020-9101	Accolade II Tray	1
1020-9000	Single Tray Case	1

## Joint Replacement

A surgeon must always rely on his or her own professional clinical judgment when deciding whether to use a particular product when treating a particular patient. Stryker does not dispense medical advice and recommends that surgeons be trained in the use of any particular product before using it in surgery.

The information presented is intended to demonstrate the breadth of Stryker's product offerings. A surgeon must always refer to the package insert, product label and/or instructions for use before using any of Stryker's products. The products depicted are CE marked according to the Medical Device Regulation 2017/745 or the Medical Device Directive 93/42/EEC. Products may not be available in all markets because product availability is subject to the regulatory and/or medical practices in individual markets. Please contact your sales representative if you have questions about the availability of products in your area.

Stryker Corporation or its divisions or other corporate affiliated entities own, use or have applied for the following trademarks or service marks: Accolade, Stryker. All other trademarks are trademarks of their respective owners or holders.