

stryker

Inbone[®]

Total Ankle System



Powered by Prophecy[®]

Now featuring:
**Everlast[®] highly
cross-linked polyethylene**

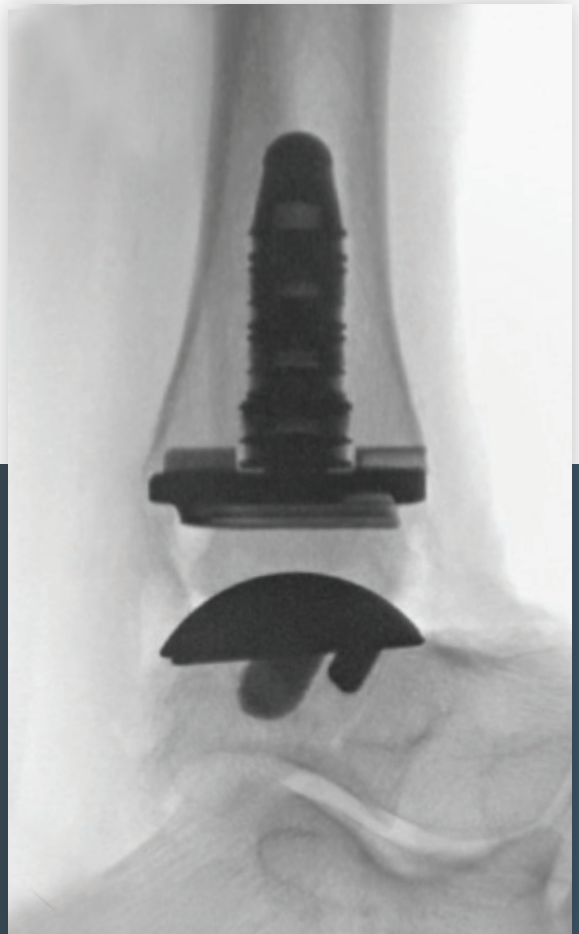
Unmatched fixation.¹ Proven success.²

Inbone[®]

Total Ankle System

Proven success

Confidently treat complex end-stage ankle arthritis with a system backed by over a decade of results and a reported 98% survivorship at 5 years.³



5 years³
98%
survivorship

Inbone®


Total Ankle System

Now featuring:

Everlast® highly cross-linked polyethylene

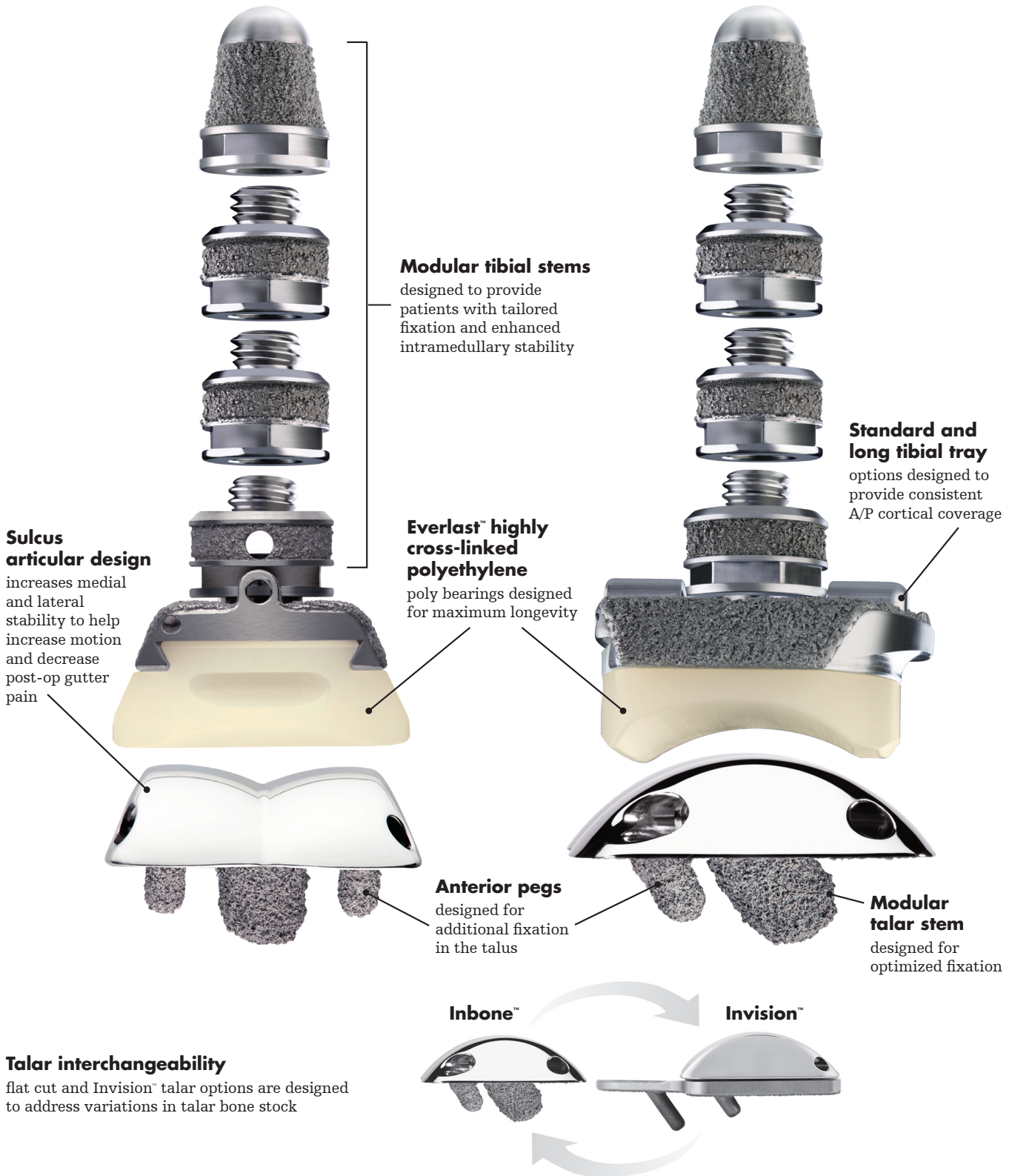
Everlast™ highly cross-linked polyethylene is blended with vitamin E, which has been shown to combat oxidation while allowing for the wear resistant benefits of the cross-linking process.



 **26%**
increase
in wear resistance⁵

Robust fixation

Patented,⁵ modular tibial stems are designed to provide patients with tailored fixation and enhanced intramedullary stability when faced with surgical challenges like coronal deformity⁶ and variations in bone.⁷

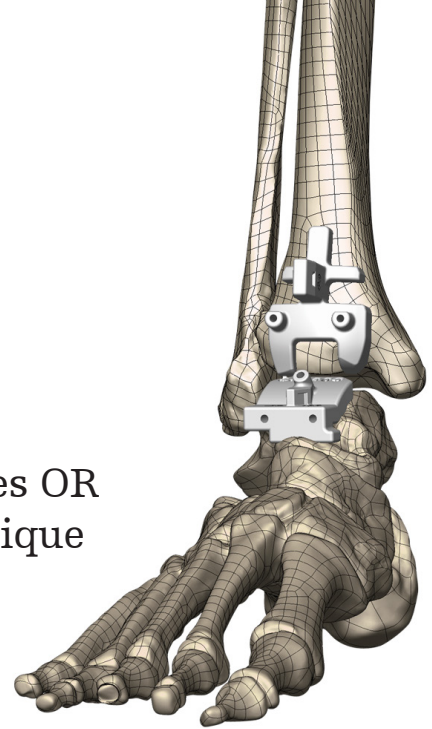


Inbone®

Total Ankle System

Streamlined Technique

Prophecy® surgical planning significantly reduces OR time through a streamlined, reproducible technique with proven accuracy.^{8,9}



Prophecy® Preoperative Planning



Infinity®
total operating time

92 minutes



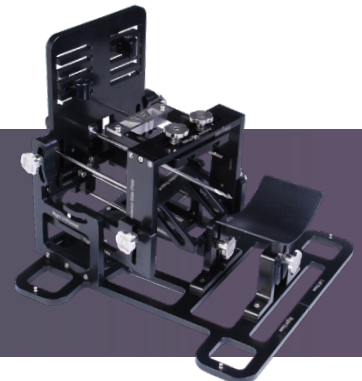
Inbone®
total operating time

104 minutes

Only
12 minutes
difference⁸



The patented foot holder is still available and **offering precise intramedullary alignment.**



The most comprehensive

total ankle portfolio on the market.¹⁰

stryker



Pre-op



Post-op

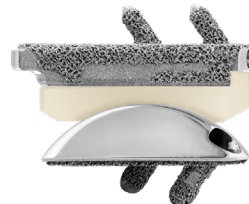
X-ray images courtesy of Steven L. Haddad, MD.



Prophecy®
Patient Specific Instruments



Infinity®
Total Ankle System



Infinity®
Total Ankle System



Inbone®
Total Ankle System



Invision®
Total Ankle Revision System

Unsurpassed

Total Ankle Portfolio

Leadership

6 out of 10 ankles performed in the U.S. are done with a Stryker implant.¹¹

1023 Cherry Road
Memphis, TN 38117
800 238 7117
901 867 9971
www.stryker.com

56 Kingston Road
Staines-upon-Thames
Surrey TW18 4NL
United Kingdom
+44 (0)845 833 4435

161 Rue Lavoisier
38330 Montbonnot Saint Martin
France
+33 (0)4 76 61 35 00

1. Based on publicly available information as of October 14, 2020.
2. Cody EA, Bejarano-Pineda L, Lachman JR, et al. Risk Factors for Failure of Total Ankle Arthroplasty with a Minimum Five Years of Follow-up. *Foot Ankle Int.* Oct 21 2018;1071100718806474.
3. Cody EA, Bejarano-Pineda L, Lachman JR, et al. Risk Factors for Failure of Total Ankle Arthroplasty with a Minimum Five Years of Follow-up. *Foot Ankle Int.* Oct 21 2018;1071100718806474. Results of Everlast™ Highly Cross-Linked Polyethylene are unknown.
4. Patent No. 7,314,488
5. When compared to Wright Medical traditional ankle UHMWPE poly inserts through bench top testing according to ISO 22622. Data on file.
6. Harston A, Lazarides AL, Adams SB Jr, DeOrio JK, Easley ME, Nunley JA 2nd. Midterm Outcomes of a Fixed-Bearing Total Ankle Arthroplasty With Deformity Analysis. *Foot Ankle Int.* 2017;38(12):1295-1300. doi:10.1177/1071100717731853
7. Irwin T, Behrens S, Bemenderfer T, Schipper O, Odum S, Anderson R, Davis WH. Clinical and Radiographic Outcomes of Revision Total Ankle Arthroplasty Using an Intramedullary-Referencing Implant. *Foot Ankle Intl.* Aug 14 2020.
8. Hsu AR, Davis WH, Cohen BE, Jones CP, Ellington JK, Anderson RB. Radiographic Outcomes of Preoperative CT Scan-Derived Patient-Specific Total Ankle Arthroplasty. *Foot Ankle Int.* May 4 2015.
9. Daigre J, Berlet G, Van Dyke B, Peterson KS, Santrock R. Accuracy and Reproducibility Using Patient-Specific Instrumentation in Total Ankle Arthroplasty. *Foot Ankle Int.* Apr 2017;38(4):412-418.
10. Based on publicly available information as of February 2022.
11. Based on 2018 segment share information from SmartTRAK & iData 2021.