

<p><i>Note: This portion of the document should not appear on produced Labels or IFUs.</i></p> <p>Stryker Instruments (269) 323-7700 (800) 253-3210</p>	<p>Dimensions: 3.75 inch (width) x 6 inch Booklet</p>	<p>Color/Material/Finish: Color Graphics on White Background 20# Bond or Equivalent</p>	<p>Label Stock: N/A</p>	
			<p>Description/Type: Care Instructions</p>	
			<p>Part Number: 7200-001-700</p>	<p>Rev. L</p>

stryker®

Heavy Duty

**Battery Powered
and Electric
Heavy Duty Systems**

Care Instructions

R_x ONLY

ENGLISH (EN)

2017-02

7200-001-700 Rev-L

www.stryker.com

Print Date: Apr 21, 2017 11:22:25 AM

0000044071, Rev. L Effective Date: Apr 21, 2017 11:02:18 AM

Contents

Introduction	3
Audience	3
Conventions	4
Contact Information	4
Intellectual Property	4
Definitions	4
Description.	5
Safety Directives	5
Limitations of Processing	6
Processing Equipment	6
Water	8
Detergents	8
Preparation for Cleaning	10
Point of Use (Post-Surgery)	10
Transport to Decontamination Processing Area	10
Cleaning	11
Manual Cleaning	13
Automated Cleaning.	17
Inspection	22
Visual and Functional Inspection.	23
Lubrication	23
Preparation for Sterilization	24
Packaging	25
Stacking and Constraints	25

Sterilization	26
Handpieces and Attachments	28
Battery Packs.	30
System 8 Battery Packs	32
Storage and Handling.	36
Sterile Equipment	36
Non-sterile Equipment.	36
Disposal/Recycle	37
Appendix A: Special Cleaning Considerations Table.	38
Appendix B: Inspection Table	43
Appendix C: Lubrication Table.	45
Appendix D: Extended Dry Time Table	46

Introduction

This care instructions manual contains information intended to ensure the safe, effective, and compliant sterile processing of your product.

Processing equipment, operators, detergents, and procedures all contribute to the efficacy of medical device processing. The healthcare facility should make sure that the combination used results in a medical device that is safe for use. Alternative methods of processing may be equally suitable.

Audience

This manual is intended for in-service trainers, biomedical equipment technicians, and central supply/sterile processing technicians. Keep and consult this reference manual during the life of the product.

Conventions

The following conventions are used in this manual:

- A **WARNING** highlights a safety-related issue. **ALWAYS** comply with this information to prevent patient and/or healthcare staff injury.
- A **CAUTION** highlights a product reliability issue. **ALWAYS** comply with this information to prevent product damage.
- A **NOTE** supplements and/or clarifies procedural information.

Contact Information

For additional information, including safety information, in-service training, or current literature, contact your Stryker sales representative or call Stryker customer service at 1-269-323-7700 or 1-800-253-3210. Outside the US, contact your nearest Stryker subsidiary.

Intellectual Property

Trademarks not the property of Stryker Corporation are the property of their respective owners.

Definitions

The symbols located on the equipment and/or labeling are defined in this section or in the *Symbol Definition Chart*. See the *Symbol Definition Chart* supplied with the equipment.

SYMBOL	DEFINITION
--------	------------



	General warning sign
--	----------------------

Description

This comprehensive reference provides care instructions and recommendations for Stryker Heavy Duty Systems (Battery Powered and Electric) components and equipment, including battery packs and aseptic battery housings.

Safety Directives



WARNINGS:

- Before processing this equipment, read and understand the care instructions. Pay particular attention to safety information.
 - Only individuals trained and experienced in the processing of reusable medical devices should process this equipment.
 - ALWAYS provide personal protective equipment (PPE) for processing personnel according to the instructions and safety data sheets (SDS) supplied with the detergent. Wear PPE at all times during processing.
 - DO NOT reuse, reprocess, or repackage a device that is intended for single use only.
 - A single use device may not withstand chemical, chemical vapor, or high temperature sterilization reprocessing.
 - Design features may make cleaning difficult.
 - Reuse may create a contamination risk and compromise structural integrity resulting in operational failure or fragmentation during use.
 - Critical product information may be lost during repackaging.
- Failure to comply may lead to infection or cross infection and result in patient and/or healthcare staff injury.

Limitations of Processing

Repeated processing has a minimal effect on this equipment. See the *Inspection* section for additional guidance on evaluating device functionality.

Processing Equipment



WARNING: Use only Stryker-approved equipment, unless otherwise specified. DO NOT modify any system component or accessory.

The following equipment is required to process devices per the instructions in this manual:

- PPE as recommended by the detergent manufacturer
- Warm, filtered or deionized water (See the *Water* section.)
- Prepared, specially formulated detergents (See the *Detergents* section.)
- Absorbent wipes
- Soft, lint-free cloth
- Syringe
- Non-abrasive, soft, flexible, synthetic bristle brushes
- Washer-disinfector
- Detergents and rinsing agents as required by the washer-disinfector
- Medical-grade compressed air, < 140 kPa [< 20 psi]
- Oven
- Sterilization wrap, grade 500 or higher
- Chemical indicators
- Sterilizer

The following optional equipment may be purchased to aid in processing:

DESCRIPTION	REF
Light Mineral Oil	1605-010-000
Blu62™ Pretreatment Foam	3000-00X-000 series
ProClean Instrument Detergent®	3000-00X-000 series
Cordless Driver Sterilization Container	4100-451-000
Cordless Driver Sterilization Cases	4X00-465-000 series
Cordless Driver Aseptic Battery Kit Sterilization Cases	422X-450-000 series
Sports Medicine/Small Bone Trauma (SMT) Sterilization Case	4300-452-000
Battery Powered Micro (BPM) Sterilization Case	4300-462-000
Cordless Driver 4/Sabo®2 Insert Trays	4405-45X-0X0 series
Trauma Insert Tray	4405-451-010
System 6 Sterilization Cases	6102-45X-000 series
EZout™ Insert Tray	7102-459-010
Insert Trays and Sterilization Cases	7102-45X-0X0 series 7102-55X-0X0 series
Sterilization Container Bottoms and Lids	7102-55X-0X0 series 7102-65X-0X0 series
Hybrid Insert Tray	1900-375-010

NOTE: For a complete list of components or ordering information, contact your Stryker sales representative or call Stryker customer service. See the *Contact Information* section. Outside the US, contact your nearest Stryker subsidiary.

Water



WARNING: Use filtered water for diluting detergents and for rinsing the equipment. Mineral residues from hard water can stain the equipment and/or prevent effective cleaning and decontamination.

CAUTION: Poor water quality can adversely affect the life of medical devices. ALWAYS follow the water quality requirements per Association for the Advancement of Medical Instrumentation (AAMI) TIR 34.

Warm water with an optimum temperature range of 27 to 44 °C [80 to 110 °F] is recommended for manual cleaning. The water should not exceed 60 °C [140 °F] and should be warm to the touch.

Detergents



WARNINGS:

- To clean the equipment, use specifically formulated detergents only.
- Read, understand, and follow the indications, instructions, and safety information supplied with the detergent for correct handling and use of the product.
- ALWAYS prepare the detergent solution according to the manufacturer's recommendations. Pay particular attention to the concentration used and the total dispersion.

CAUTIONS:

- To clean the equipment, a mild alkaline detergent (neutral up to pH 10.5) is preferred. If a washer-disinfector is used, see the instructions for use supplied with the washer-disinfector machine to select the recommended detergent.
- ALWAYS use a detergent that is suitable for use on aluminum, stainless steel, plastic, rubber, and titanium surfaces.

NOTE: Stryker recommends the specified validated detergent (if available) for manual cleaning; however, other products may perform equally or better. Alternative detergents must be verified by referencing the information provided by the product supplier and/or physical testing.

Stryker used the following detergents to validate the manual and automated (washer-disinfector) cleaning processes described in these instructions:

Supplier	Product	Suitability	Process
Stryker	ProClean Instrument Detergent	All materials	Manual Cleaning
Steris	Polystica 2x Concentrate Enzymatic	Aluminum, stainless steel, soft metals, and plastics	Automated Cleaning
	Polystica 2x Concentrate Neutral		

Prepare the detergent solution according to the manufacturer's recommendations.

Preparation for Cleaning

Point of Use (Post-Surgery)

CAUTIONS:

- DO NOT use saline to wet or soak the equipment before transport to the decontamination processing area.
 - If transport to the decontamination processing area is delayed, cover the equipment with a damp cloth or spray the equipment with a pretreatment foam as often as necessary to maintain moisture. The pretreatment foam will minimize the drying of soil and facilitate later decontamination processing. DO NOT allow pretreatment foam to dry on the equipment.
1. Separate reusable equipment from disposable waste.
 2. Discard waste into an appropriate container; use a puncture-resistant container for sharps. See the *Disposal/Recycle* section.
 3. Use absorbent wipes to remove gross soil from the equipment.

Transport to Decontamination Processing Area



WARNING: During transport, pay particular attention to sharp, cutting edges to avoid injury.

CAUTION: Avoid mechanical damage during transport. DO NOT mix heavy devices with delicate devices.

Clean the equipment as soon as practical, typically within two hours, to preclude extended or repeat cleaning procedures.

Cleaning

NOTE: These cleaning instructions are appropriate for handpieces, attachments, battery packs, cords, aseptic battery housings, sterilization cases, EZout accessories, and non-sterile single use cutting accessories (e.g., K-wires). To properly clean a console, see the instructions for use supplied with the console.



WARNINGS:

- Clean the equipment as indicated before first and every use. Use the cleaning methods as indicated in these instructions. Other cleaning methods may prevent proper sterilization of the equipment.
- Prior to cleaning, separate all detachable components and remove single use cutting accessories from the handpieces. Detachable components include attachments, battery packs, and cords. Remove non-sterile batteries from the aseptic housings.
- Use PPE at all times during cleaning.

CAUTIONS:

- ALWAYS handle the equipment with care. DO NOT drop the equipment.
- DO NOT use solvents, lubricants, or other chemicals, unless otherwise specified.
- DO NOT use ultrasonic cleaning equipment.
- DO NOT immerse or soak any equipment in liquid unless otherwise specified. Equipment may be placed briefly under running water to ensure thorough wetting and contact with liquid while actuating moving parts.

- DO NOT allow moisture or liquid to enter electrical plugs, receptacles, or openings. Moisture or liquid may cause corrosion and damage the equipment.
- DO NOT allow fluid to remain inside the recesses of the aseptic housing.
- DO NOT use pipe cleaners or cotton swabs to clean lumens or connector receptacles.
- DO NOT bend connector pins during cleaning.
- ALWAYS make sure the prepared detergent solution is completely rinsed from the interior and exterior of the equipment before drying the equipment.
- Use of compressed air is only recommended for drying of equipment.

NOTES:

- Two methods of cleaning are described, a manual cleaning method and an automated cleaning method. Manual removal of all gross soil is required for both cleaning methods.
- Automated cleaning may reduce the useful life of battery packs. Manual cleaning per these instructions is preferred.

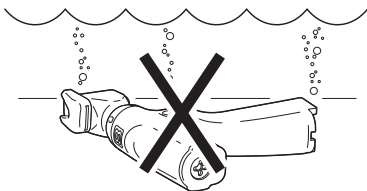
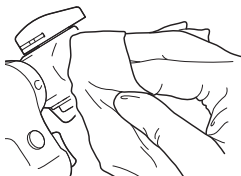
Manual Cleaning

1. Remove the lid and insert tray(s) from the base of the sterilization case.
2. Remove all soiled medical devices from the insert tray(s) and base.
3. Remove non-sterile batteries from the aseptic housings.
4. Remove all gross soil from the equipment using absorbent wipes or a soft, lint-free cloth moistened with the prepared detergent solution. Devices may be placed briefly under running water or flushed with a water-filled syringe to assist in the removal of gross soil.
5. Thoroughly clean the equipment.
 - Use suitable brushes and the prepared detergent solution to clean all surfaces. Pay particular attention to rough surfaces, crevices, and difficult-to-reach areas where soil may be shielded from brushing.
 - Use soft brushes of appropriate diameters to clean the entire length of each lumen. For dead-ended lumens, use light pressure and do not force the brush any farther after you feel resistance.
 - Use a syringe filled with the prepared detergent solution to flush difficult-to-reach areas.
 - Actuate all moving parts to clean hidden surfaces. Actuate all holding, clamping, and latching mechanisms on sterilization cases, lids, and insert trays.

NOTES:

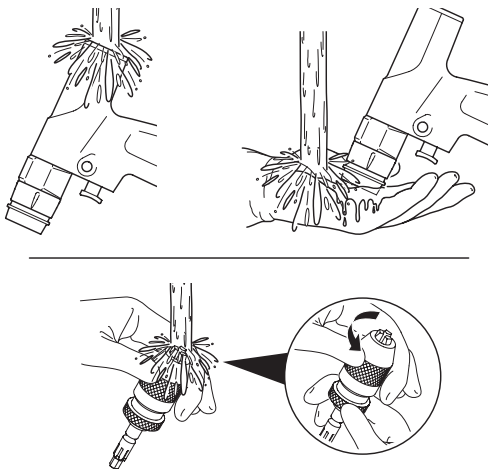
- See the *Special Cleaning Considerations Table* (Appendix A) for critical areas and brush sizes.
- (For System 8 handpieces only): System 8 handpieces may be held under the surface of the prepared detergent solution during manual cleaning. Do not soak any equipment.

CLEAN THE EQUIPMENT



6. Thoroughly rinse the equipment with warm, running water until all traces of the prepared detergent solution are removed.
- For equipment with lumens, hold the equipment on an incline, distal end pointing up, and rinse the lumen.
 - For dead-ended lumens, once the water comes back out of the equipment, immediately point the distal end of the equipment down to allow the water to drain out. Repeat this step one or two more times until the water draining from the equipment is clear.
 - For all other equipment, hold the equipment on an incline, distal end pointing down.

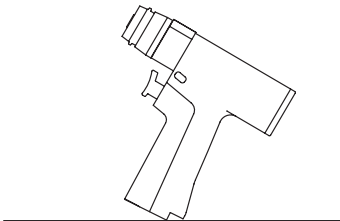
RINSE THE EQUIPMENT



- Pay particular attention to rough surfaces, lumens, hinges, blind holes, battery contacts, and joints between mating parts.
- Actuate all moving parts to rinse hidden surfaces. For sterilization cases and insert trays, actuate all holding, clamping, and latching mechanisms.

NOTE: A final rinse of the equipment using deionized or filtered water is recommended.

7. (For System 6 handpieces only): If water leaks into the handpiece, tip the handpiece back as shown to allow drainage from the small opening in the battery pack contact area.



8. Visually inspect the equipment for any remaining soil or detergent solution. If soil or detergent solution remains, repeat the cleaning procedure using freshly prepared detergent solution.
9. Allow the equipment to drain on absorbent wipes. If possible, orient the equipment vertically to assist in drainage.

CAUTION: DO NOT dry battery packs in an oven. Drying battery contacts with compressed air is recommended. Residual moisture from cleaning may lead to oxidation of the contacts.

10. Dry the equipment with a soft, lint-free cloth or medical-grade compressed air, or by heating the equipment in an oven below 110 °C [230 °F].
11. After manual cleaning, inspect and charge battery packs as required. See the instructions for use supplied with the battery pack.
12. After manual cleaning, inspect the equipment immediately (see the *Inspection* section), or perform the steps in the *Automated Cleaning* section.

Automated Cleaning

1. Perform all manual cleaning steps. See the *Manual Cleaning* section.

CAUTION: Automated cleaning may reduce the useful life of battery packs. Manual cleaning is preferred. See the *Manual Cleaning* section.

NOTE: The drying step after manual cleaning may be skipped.

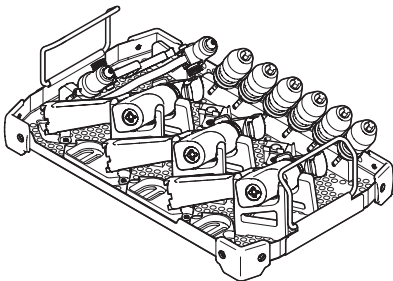


WARNINGS:

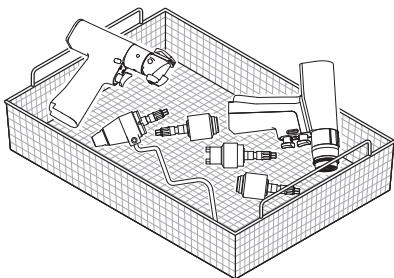
- ALWAYS load the equipment carefully to prevent movement that may inhibit proper cleaning during the automated washer-disinfector cycle.
- Only System 7, Cordless Driver 4, and EZout insert trays may be used to hold equipment in the washer-disinfector (see the *Processing Equipment* section). All other insert trays and sterilization cases are for use with the sterilization process only and must be washed separately.
- When using the Trauma Insert Tray or the Hybrid Insert Tray during automated washing, be sure the top and bottom trays are separated when placed in the washer-disinfector to ensure products receive adequate exposure to the washer-disinfector cycle.
- ALWAYS separate the sterilization tray components before loading into the washer-disinfector. Load each tray component separately.
- ALWAYS check the clearance in the automated washer-disinfector to prevent the sprayer wand from striking the equipment.

NOTE: The equipment illustrated is representational only and may not reflect the actual configuration. See the instructions for use supplied with the insert tray for device-specific loading configurations.

2. Load the equipment into the washer-disinfector in an appropriate insert tray (see the *Processing Equipment* section), a wire basket, or other washer-disinfector equipment holder.
 - Avoid contact between components.
 - If possible, orient the equipment vertically to assist in drainage. Placing the equipment in a horizontal position is also acceptable.
 - Place moving parts in the open position.



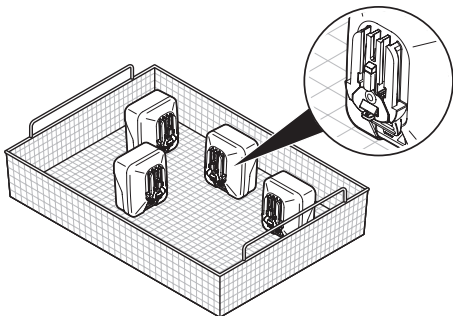
Example tray loading configuration for System 7/System 8



Example basket loading configuration for System 6

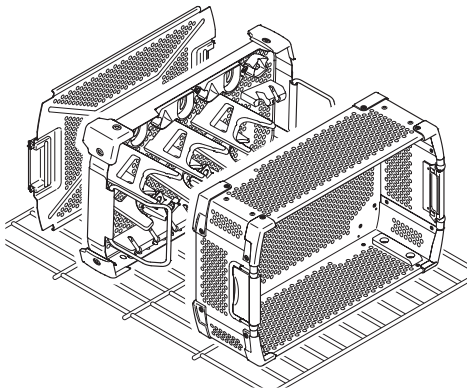
- If possible, orient battery packs on their sides with the battery latches pointing down.

CAUTION: DO NOT allow the battery contacts to touch the wire basket or any metal objects inside the basket. Failure to comply may short circuit the battery pack.



Example basket loading configuration for battery packs

- When cleaning an empty insert tray or sterilization case, orient the equipment vertically to assist in drainage.



Example loading configuration for empty sterilization case and insert tray

CAUTIONS:

- DO NOT use any type of lubricant in the automated washer-disinfector. Lubrication is not required and may leave residue on the equipment after cleaning.
- ALWAYS select the lowest possible spray pressure setting when cleaning battery packs in a washer-disinfector. Use a gentle or low impingement setting to prevent damage.
- DO NOT use the dry phase when cleaning battery packs in an automated washer-disinfector. The dry phase will shorten the life of the battery packs. Devices that require a dry phase should be processed separately from the battery packs.

3. Operate the washer-disinfector. Use the following validated phase parameters as required:

Phase	Time	Water Temperature	Cleaning Agent
Pre-rinse	2 to 4 minutes	< 21 °C [< 70 °F]	Prepared detergent (optional)
Enzyme Wash	2 to 4 minutes	43 to 66 °C [110 to 150 °F]	Prepared enzymatic detergent
Wash	2 to 4 minutes	60 to 82 °C [140 to 180 °F]	Prepared detergent
Rinse	2 to 4 minutes	43 to 82 °C [110 to 180 °F]	–
Dry*	15 minutes	–	–

*DO NOT use the drying phase for battery packs.

4. Unload the washer-disinfector and visually inspect the equipment for remaining soil or detergent solution. If soil or detergent solution remains, repeat the cleaning procedure using freshly prepared detergent solution.
5. Allow the equipment to drain on absorbent wipes. If possible, orient the equipment vertically to assist in drainage.

CAUTION: DO NOT dry battery packs in an oven. Drying battery contacts with compressed air is recommended. Residual moisture from cleaning may lead to oxidation of the contacts.

6. Dry the equipment with a soft, lint-free cloth or medical-grade compressed air, or by heating the equipment in an oven below 110 °C [230 °F].
7. After automated cleaning, inspect and charge battery packs as required. See the instructions for use supplied with the battery pack.
8. After automated cleaning, inspect the equipment immediately (see the *Inspection* section).

Inspection



WARNINGS:

- Only individuals trained and experienced in the maintenance of reusable medical devices should inspect and test this equipment.
- Perform recommended inspection and testing as indicated in these instructions.
- DO NOT sterilize any equipment if damage is apparent or the inspection criteria are not met.
- DO NOT disassemble, modify, or service this equipment, unless otherwise specified.

NOTES:

- If the equipment fails to meet the inspection and testing criteria, contact your Stryker sales representative or call Stryker customer service. Outside the US, contact your nearest Stryker subsidiary.
- The useful life of this equipment is dependent upon many factors including, but not limited to, the method and duration of each use, and the handling of the equipment between uses.
- Routine and careful inspection and functional testing are the best methods for determining the serviceable life span of the equipment.

Visual and Functional Inspection

Visually inspect and test all equipment before sterilization and as described in the *Inspection Table* (Appendix B). Pay particular attention to the following:

- Locations where soil may become trapped, such as mating surfaces, hinges, and shafts
- Recessed features, such as holes and lumens
- Features where soil may be pressed into contact with the equipment

Lubrication



WARNING: DO NOT lubricate handpieces unless otherwise directed. Handpieces are permanently lubricated. Additional lubrication may cause handpieces to overheat or leak fluid into the surgical site.

Perform the lubrication instructions as described in the *Lubrication Table* (Appendix C).

Preparation for Sterilization



WARNINGS:

- ALWAYS use a chemical indicator within every sterilization load to make sure the proper sterilization conditions of time, temperature, and saturated steam or hydrogen peroxide are achieved.
- Prior to sterilization, separate all detachable components and remove all single use cutting accessories from the handpieces. Detachable components include attachments, battery packs, and cords.

CAUTION: ALWAYS make sure the equipment is clean and completely dry before sterilization.

1. Load the equipment into an appropriate sterilization tray. See the *Processing Equipment* section.
2. Place a chemical indicator in a corner of the insert tray.

Packaging



WARNING: ALWAYS use new sterilization wrap to enclose the equipment. Do not reuse sterilization wrap.

1. Place the insert tray(s) loaded with devices into the base of the sterilization case.
2. Install the lid of the sterilization case and close the latches to secure the lid to the base.
3. Enclose the equipment using a sterilization wrap that is suitable for the equipment, such as a grade 500 or higher, before sterile processing.
4. Follow the AAMI and the Association of periOperative Registered Nurses (AORN) recommended guidelines for appropriate wrapping configurations.

NOTE: The packaging material will maintain the sterility of the equipment after exposure.

Stacking and Constraints



WARNINGS:

- DO NOT stack multiple sterilization cases during sterile processing. Stacking multiple cases may damage the sterile barrier provided by the sterilization wrap.
- ALWAYS stack non-sterile cases in a safe and secure manner.
- DO NOT stack wrapped or unwrapped cases during transport.

Sterilization

NOTE: These sterilization instructions are appropriate for handpieces, attachments, battery packs, cords, aseptic battery housings, sterilization cases, EZout accessories, and non-sterile single use cutting accessories (e.g., K-wires).



WARNINGS:

- Sterilize the equipment as indicated before first and every use.
- Use the sterilization methods as indicated in these instructions. Using other sterilization methods may prevent proper sterilization of the equipment and/or damage the equipment.
- Follow the recommended dry times to prevent moisture from accumulating inside the equipment. Moisture may prevent proper sterilization and/or damage the equipment.
- After sterilization, allow the equipment to cool to room temperature prior to use. Failure to comply may result in a burn injury and/or damage to the equipment.

CAUTIONS:

- Sterilize only the recommended device types within the sterilization case.
- Prior to sterilization, remove non-sterile batteries from the aseptic housings. **DO NOT** sterilize non-sterile batteries.
- **ALWAYS** ensure the aseptic housing lid remains open during sterilization.
- **DO NOT** sterilize a battery pack if damage is apparent (cracks or other damage).
- **DO NOT** sterilize the console.

NOTES:

- Stryker has validated several sterilization cycles for the sterilization of this equipment. However, sterilizer design and performance can affect the efficacy of the process. Healthcare facilities should verify the process they use, employing the actual equipment and operators that routinely process the equipment.
- The final responsibility for verification of sterilization techniques lies directly with the hospital. To ensure the efficacy of hospital processing, all cycles and methods should be verified for different sterilization chambers, wrapping methods, and/or various loading configurations.
- If wet trays or equipment are discovered after sterilization, a change in the product load configuration or a longer dry time may be necessary. See *Extended Dry Time Table* (Appendix D) for configurations known to require longer dry times.
- Validation is based on the AAMI protocol.
- International sterilization parameters are per the following standards:
 - Australia/New Zealand per AS/NZS 4187
 - Netherlands per Field Standard for Loaner Instruments, Revision 03.02, April 2008
 - Europe and the United Kingdom per EN ISO 17664
 - Canada per CSA ISO 17664

Handpieces and Attachments

CAUTION: These instructions are not appropriate for battery packs. See the appropriate *Battery Packs* sterilization section to properly sterilize battery packs.

Steam Sterilization

Perform one of the following validated steam sterilization cycles:

Wrapping Method	Cycle	Sterilization Temperature	Minimum Exposure Time	Minimum Dry Time
Double Wrapped	Dynamic Air Removal (Pre-vacuum)	132 °C [270 °F]	4 minutes	30 minutes**
		134 °C [273 °F]	3 minutes*	30 minutes**
Aesculap Rigid Container	Dynamic Air Removal (Pre-vacuum)	132 °C [270 °F]	4 minutes	30 minutes
		134 °C [273 °F]	3 minutes*	30 minutes

*Minimum exposure time may be extended to 18 minutes.

**Minimum dry time may be extended for certain configurations. See *Extended Dry Time Table* (Appendix D).

Immediate-Use Steam Sterilization



WARNINGS:

- DO NOT place equipment into an insert tray, sterilization case, or sterilization container for immediate-use steam sterilization.
- After cooling to room temperature, ALWAYS immediately use equipment sterilized by immediate-use steam sterilization. Sterility assurance cannot be maintained for unwrapped equipment.

CAUTION: Stryker does not recommend immediate-use steam sterilization for routine sterilization of medical devices. Immediate-use steam sterilization should only be used when individual devices require immediate sterilization and use.

Perform one of the following validated steam sterilization cycles:

Wrapping Method	Cycle	Sterilization Temperature	Minimum Exposure Time	Minimum Dry Time
Unwrapped	Dynamic Air Removal (Pre-vacuum)	132 °C [270 °F]	4 minutes	No dry time
		134 °C [273 °F]	3 minutes	No dry time
	Gravity	132 °C [270 °F]	10 minutes	No dry time

Sterrad Gas Plasma Sterilization

Stryker equipment that is compatible with Sterrad systems is listed on the Sterrad Sterility Guide. Follow the sterilization instructions provided by Sterrad. Contact your Sterrad representative for more information.

Steris Vaporized Hydrogen Peroxide Sterilization

Stryker equipment that is compatible with Steris systems is listed on the Steris Device Compatibility Matrix. Follow the sterilization instructions provided by Steris. Contact your Steris representative for more information.

Battery Packs

NOTE: See the *System 8 Battery Packs* section for sterilization parameters specific to the System 8 battery packs (REF 821X-000-000 series).

CAUTIONS:

- These instructions are not appropriate for handpieces and attachments. See the *Handpieces and Attachments* sterilization section to properly sterilize handpieces and attachments.
- If the sterilizer requires a dry time setting, **ALWAYS** use the minimum time allowed by the sterilizer for battery packs.
- **DO NOT** leave battery packs in a hot sterilizer for more than the prescribed time as this will shorten battery pack life. If possible, open the sterilizer door and remove the battery packs when the cycle completes to prevent extended exposure to elevated temperatures.
- If charging is required after sterilization, **ALWAYS** allow battery packs to cool for at least one hour.
- Dry battery packs before placing them in the charger.

Sterrad Gas Plasma Sterilization

Stryker equipment that is compatible with Sterrad systems is listed on the Sterrad Sterility Guide. Follow the sterilization instructions provided by Sterrad. Contact your Sterrad representative for more information.

Steris Vaporized Hydrogen Peroxide Sterilization

Stryker equipment that is compatible with Steris systems is listed on the Steris Device Compatibility Matrix. Follow the sterilization instructions provided by Steris. Contact your Steris representative for more information.

Steam Sterilization

Perform one of the following validated steam sterilization cycles:

Wrapping Method	Cycle	Sterilization Temperature	Minimum Exposure Time	Maximum Exposure Time	Dry Time
Double Wrapped	Dynamic Air Removal (Pre-vacuum)	132 °C [270 °F]	4 minutes	5 minutes	No dry time
		134 °C [273 °F]	3 minutes	4 minutes	No dry time
Un-wrapped	Dynamic Air Removal (Pre-vacuum)	132 °C [270 °F]	4 minutes	5 minutes	No dry time
		134 °C [273 °F]	3 minutes	4 minutes	No dry time
	Gravity	132 °C [270 °F]	3 minutes	5 minutes	No dry time
(Riley) FlashPak	Dynamic Air Removal (Pre-vacuum)	132 °C [270 °F]	5 minutes	5 minutes	No dry time
	Gravity	132 °C [270 °F]	5 minutes	5 minutes	No dry time
Aesculap Rigid Container	Dynamic Air Removal (Pre-vacuum)	132 °C [270 °F]	4 minutes	5 minutes	No dry time

System 8 Battery Packs

CAUTIONS:

- These instructions are not appropriate for handpieces, attachments, or Stryker battery packs manufactured prior to System 8 (e.g., REF 721X-XX0-000 series and REF 621X-000-000 series).
 - See the *Handpieces and Attachments* sterilization section to properly sterilize handpieces and attachments.
 - See the *Battery Packs* sterilization section to properly sterilize pre-System 8 battery packs.
- DO NOT leave battery packs in a hot sterilizer for more than the prescribed time as this will shorten battery pack life. If possible, open the sterilizer door and remove the battery packs when the cycle completes to prevent extended exposure to elevated temperatures.
- To prevent damage to the battery packs, DO NOT exceed the specified exposure time and/or dry time.
- To prevent wet packs, ALWAYS follow the specified dry time.
- If charging is required after sterilization, ALWAYS allow battery packs to cool for at least one hour.
- Dry battery packs before placing them in the charger.

Steam Sterilization (System 8 Battery Packs ONLY)

Perform one of the following validated steam sterilization cycles:

Wrapping Method	Cycle	Sterilization Temperature	Minimum Exposure Time	Maximum Exposure Time	Minimum Dry Time	Maximum Dry Time
Double Wrapped	Dynamic Air Removal	132 °C [270 °F]	4 minutes	5 minutes	15 minutes*	20 minutes
	(Pre-vacuum)	134 °C [273 °F]	3 minutes	4 minutes	15 minutes*	20 minutes
Aesculap Rigid Container	Dynamic Air Removal (Pre-vacuum)	132 °C [270 °F]	4 minutes	5 minutes	5 minutes	20 minutes

*A 15-minute dry time can only be achieved when running a single, wrapped battery alone through this cycle.

Immediate-Use Steam Sterilization (System 8 Battery Packs ONLY)



WARNINGS:

- DO NOT place equipment into a sterilization case or sterilization container for immediate-use steam sterilization.
- After cooling to room temperature, ALWAYS immediately use equipment sterilized by immediate-use steam sterilization. Sterility assurance cannot be maintained for unwrapped equipment.
- To prevent damage to the battery packs, DO NOT exceed the specified exposure time and/or dry time.

CAUTION: Stryker does not recommend immediate-use steam sterilization for routine sterilization of medical devices. Immediate-use steam sterilization should only be used when individual devices require immediate sterilization and use.

Perform one of the following validated steam sterilization cycles:

Wrapping Method	Cycle	Sterilization Temperature	Minimum Exposure Time	Maximum Exposure Time	Dry Time
Un-wrapped	Dynamic Air Removal (Pre-vacuum)	132 °C [270 °F]	4 minutes	5 minutes	No dry time
		134 °C [273 °F]	3 minutes	4 minutes	No dry time
	Gravity	132 °C [270 °F]	3 minutes	5 minutes	No dry time
(Riley) FlashPak	Dynamic Air Removal (Pre-vacuum)	132 °C [270 °F]	5 minutes	5 minutes	No dry time
	Gravity	132 °C [270 °F]	5 minutes	5 minutes	No dry time

Sterrad Gas Plasma Sterilization

Stryker equipment that is compatible with Sterrad systems is listed on the Sterrad Sterility Guide. Follow the sterilization instructions provided by Sterrad. Contact your Sterrad representative for more information.

Steris Vaporized Hydrogen Peroxide Sterilization

Stryker equipment that is compatible with Steris systems is listed on the Steris Device Compatibility Matrix. Follow the sterilization instructions provided by Steris. Contact your Steris representative for more information.

Storage and Handling

Sterile Equipment



WARNINGS:

- ALWAYS transport wrapped equipment with care to prevent damaging the sterile barrier.
- ALWAYS store wrapped, processed equipment in a controlled environment and avoid extremes in temperature and moisture.
- Excessive handling of wrapped equipment will increase the likelihood of damaging the sterile barrier and may lead to contamination.

NOTE: See the instructions for use supplied with the sterilization wrap for maximum shelf-life information.

Non-sterile Equipment

CAUTION: ALWAYS store the equipment within the specified environmental condition values throughout its useful life. See the *Specifications* section of the instructions for use supplied with the equipment.

Disposal/Recycle



WARNINGS:

- ALWAYS follow the current local regulations governing the safe handling and disposal of sharps.
- ALWAYS follow the current local regulations governing biohazard waste to safely handle and dispose of surgical waste.
- ALWAYS follow the current local recommendations and/or regulations governing environmental protection and the risks associated with recycling or disposing of the equipment at the end of its useful life.
- ALWAYS decontaminate a battery pack exposed to infectious material before sending it to a waste treatment facility.



To comply with European Community Waste Electrical and Electronic Equipment (WEEE) Directive 2012/19/EU, this device should be collected separately for recycling. Do not dispose of as unsorted municipal waste. Contact local distributor for disposal information. Ensure infected equipment is decontaminated prior to recycling.



To comply with European Community Batteries Directive 2006/66/EC, this device has been designed for safe removal of the batteries at the end-of-life by a waste treatment facility. Infected units should be decontaminated before they are sent for recycling. If it is not possible to decontaminate the unit for recycling, the hospital should not attempt to remove the batteries from waste equipment. Continued disposal of small amounts of portable batteries to landfill and incineration is allowed under Directive 2006/66/EC and Member State regulations.

Appendix A: Special Cleaning Considerations Table

HANDPIECES

Component	Moving Parts	Critical Areas	Brush Sizes
Single and Dual Trigger Rotary Handpieces	Yes	Function switch, shift collar, attachment collar, trigger(s), lumen, pin receptacle*	6 mm
Reciprocating Saw	Yes	Function switch, blade collar, trigger, lumen, pin receptacle*	0.75 mm, 2 mm, 3 mm
Sternum Saw	Yes	Function switch, guard collar, blade collar, trigger, lumen, pin receptacle*	0.75 mm, 2 mm, 3 mm
Sagittal Saw	Yes	Function switch, blade mount, blade mount lever, trigger, lumen, pin receptacle*	0.75 mm, 2 mm
Stryker Precision® Oscillating Tip Saw	Yes	Function switch, tabs, drive pins, post, cartridge mount lever, trigger, lumen, pin receptacle*	2 mm
Cordless Driver	Yes	Function switch, lumen, triggers, release button	6 mm
Sabo Sagittal Saw	Yes	Trigger, blade mount	0.75 mm, 2 mm, 3 mm
EZout Handpiece	Yes	Function switch, trigger, ball retainer, lumen	7.1 mm

*Pin receptacle applies to Electric System 6 only.

ATTACHMENTS AND ACCESSORIES

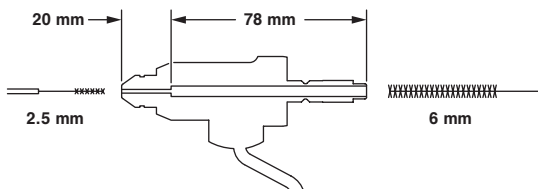
Component	Moving Parts	Critical Areas	Brush Sizes
Sternum Blade Guard	No	Foot	2 mm, 2.25 mm 2.5 mm
		Lumen	19 mm
Wire Collet	Yes	Nose, pre-adjust knob, lever axle, lumen	0.75 mm, 2.5 mm, 6 mm
Pin Collet/Large Collet	Yes	Nose, pre-adjust knob, lever axle, lumen	0.75 mm, 6 mm
1/4 inch Keyed Chuck (POWEReam™)	Yes	Jaws, lumen	0.75 mm, 2 mm, 3 mm
5/32 inch Keyed Chuck	Yes	Jaws, lumen	5 mm, 7 mm
Keyless Chuck	Yes	Jaws, lumen	5 mm, 7 mm
AO® Small Drill	Yes	Retaining collar, lumen	3.3 mm, 5 mm
Hudson®	Yes	Retaining collar, lumen	5 mm, 7 mm, 8 mm
Hudson/Modified Trinkle	Yes	Retaining collar, lumen	5 mm, 7 mm
Modified Trinkle	Yes	Retaining collar, lumen	5 mm, 7 mm, 8 mm

ATTACHMENTS AND ACCESSORIES

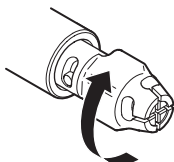
Component	Moving Parts	Critical Areas	Brush Sizes
Trinkle	Yes	Retaining collar, lumen	5 mm, 7 mm
Triathlon®	Yes	Retaining collar, lumen	2 mm, 3 mm, 5 mm
AO Large Reamer	Yes	Retaining collar, lumen	5 mm, 7 mm, 10 mm, 13 mm
DHS/DCS Quick Lock	Yes	Retaining collar, lumen	5 mm, 7 mm, 8 mm
EZout Attachment	Yes	Handle, blade mount, pivots	1.19 mm, 4 mm
EZout Centering Plugs	Yes	Rotating sleeve	9.6 mm
EZout Blade Sizing Tools	No	Lumen	9.6 mm

NOTES:

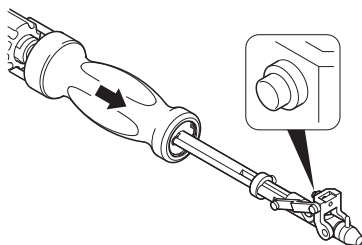
- When removing debris from a wire collet, gently insert a 2.5 mm brush approximately 20 mm deep inside of the nose. Use light pressure to remove debris. Insert a 6 mm brush approximately 78 mm into the back of the collet to clean the rest of the lumen.



- When removing debris from a reciprocating saw or sternum saw, rotate the blade collar to access all surfaces.



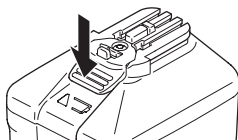
- When removing debris from the EZout Attachment (REF 7202-100-000), actuate the handle and the blade retention mechanism to access all surfaces.



BATTERY PACKS

Component	Moving Parts	Critical Areas	Brush Sizes
Battery Packs	Yes	Battery contacts	3.3 mm
		Screws	5 mm

NOTE: When removing debris from a battery pack, fully depress the battery latch to access all surfaces.

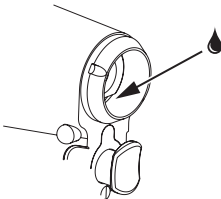


Appendix B: Inspection Table

COMPONENT	INTERVAL	ACTIVITY
Handpiece and Attachment	Before each use	Inspect, operate, and test the equipment to make sure it is working properly. Check all moving parts for free movement. Check for unusual sounds, vibrations and/or bur whip, and note the operating speed.
		Make sure there are no loose or missing components and no nicks, burs, or sharp protrusions that may cause injury or damage surgical gloves.
		Make sure that markings on the equipment are clearly legible.
	3 Months	<p>NOTE: Applies to Cordless Driver 4 and Sabo2 Saw only.</p> <p>Operate the handpiece for one minute to determine temperature. Make sure the distal tip and/or body of the handpiece are not uncomfortably hot to the touch (approximately 43.3 °C [110 °F]).</p> <p>NOTE: The Cordless Driver handpiece should be checked with the Sagittal Saw attachment (REF 4100-400-000) per the duty cycle specified in the instructions for use supplied with the attachment.</p>

COMPONENT	INTERVAL	ACTIVITY
Cord	Before each use	Inspect for cuts or damage on the surface of the cord. Make sure there are no bent or missing connector pins.
Sterilization Case and Insert Tray	Before each use	Inspect the equipment for visible soil, damage, signs of wear, and/or corrosion.
		Make sure there are no loose or missing components, and no nicks, burs, or sharp protrusions that may cause injury, damage surgical gloves, or tear the packaging material and damage the sterile barrier.
		Test the equipment to ensure lid and base fit together properly, and handles and latches function properly.

Appendix C: Lubrication Table

COMPONENT	INTERVAL	ACTIVITY
Cordless Driver 3 and Attachments	As required	<p>If the operation of the chuck or keyless style attachments become stiff, apply Light Mineral Oil (REF 1605-010-000) to the jaws of the attachment. Wipe off excess oil.</p> <p>If the release button of the Cordless Driver handpiece becomes stiff, apply Light Mineral Oil to the handpiece as indicated. Wipe off excess oil.</p> 

Appendix D: Extended Dry Time Table

The following configurations require an extended minimum dry time when double wrapped for steam sterilization only:

DESCRIPTION	REF	MINIMUM DRY TIME
EZout Insert Tray	7102-459-010	40 minutes
SMT Sterilization Case	4300-452-000	45 minutes
BPM Sterilization Case	4300-462-000	45 minutes
Trauma Insert Tray	4405-451-010	50 minutes
System 6 Sternum Saw Case	6102-453-000	60 minutes
Cordless Driver Sterilization Case	4X00-465-000 series	65 minutes
Hybrid Insert Tray	1900-375-010	40 minutes

ES/DE/FR/IT/NL	7200-001-710
JA/ZH/KO	7200-001-720
SV/DA/FI/PT/NO	7200-001-730
PL/EL	7200-001-750
TR	7201-001-760
RU	7201-001-770



Stryker Instruments
4100 E. Milham
Kalamazoo, Michigan
(USA) 49001
1-269-323-7700
1-800-253-3210

stryker[®]

Signature History Report

Version	Signature	Role	Event Date	Vote
L	Goyal, Deepak	CA_Owner	2017-02-14 00:58:40 EST	Continue
L	Goyal, Deepak	CA_Quality Engineer	2017-02-14 00:59:41 EST	Approve
L	Goyal, Deepak	CA_Owner	2017-02-14 14:14:53 EST	Continue
L	Goyal, Deepak	CA_Quality Engineer	2017-02-14 14:15:52 EST	Approve
L	Sidow, Brian	CA_Clinical Sciences	2017-02-14 14:33:27 EST	Approve
L	Simon, Adam	CA_Marketing Manager	2017-02-14 14:45:00 EST	Approve
L	Mathur, Aman Deep	CA_Product Design Engineer	2017-02-15 00:50:28 EST	Approve
L	Khurmi, Paminder	CA_Regulatory Affairs	2017-02-15 09:02:51 EST	Approve
L	Lindahl, Travis	CA_Product Safety	2017-02-15 13:16:24 EST	Approve
L	Emamian Sepehr	OptionalApprover2	2017-02-15 17:12:34 EST	Approve
L	Goyal, Deepak	CA_Owner	2017-02-17 09:35:16 EST	Rework
L	Goyal, Deepak	CA_Owner	2017-02-17 11:34:59 EST	Continue
L	Goyal, Deepak	CA_Quality Engineer	2017-02-17 11:35:45 EST	Approve
L	Sidow, Brian	CA_Clinical Sciences	2017-02-17 11:58:05 EST	Approve
L	Mouatt, Gerard	OptionalApprover1	2017-02-17 13:48:09 EST	Approve
L	Goyal, Deepak	CA_Owner	2017-02-20 08:04:03 EST	Continue
L	Goyal, Deepak	CA_Quality Engineer	2017-02-20 08:04:43 EST	Approve
L	Simon, Adam	CA_Marketing Manager	2017-02-20 09:35:49 EST	Approve
L	Mathur, Aman Deep	CA_Product Design Engineer	2017-02-20 10:53:40 EST	Approve
L	Khurmi, Paminder	CA_Regulatory Affairs	2017-02-20 11:31:35 EST	Approve

Signature History Report

Version	Signature	Role	Event Date	Vote
L	Sidow, Brian	CA_Clinical Sciences	2017-02-20 13:47:54 EST	Approve
L	Emamian Sepehr	OptionalApprover2	2017-02-20 14:47:25 EST	Approve
L	Lindahl, Travis	CA_Product Safety	2017-02-21 09:06:34 EST	Approve
L	Mouatt, Gerard	OptionalApprover1	2017-02-21 11:28:36 EST	Approve
L	Schrauben Haley	Editor	2017-02-24 09:38:31 EST	Continue

NOTE: IF THIS REPORT IS BLANK, PLEASE SEE WINDCHILL ECN FOR SIGNATURES.

Related Information

CR Number	CR0309558
CR Class	DMR-Commercially Released
Originating Entity	INST: Kalamazoo
Origin	New Product Development
Initial CR Approval Date	02/10/2017 14:47:22
CN Number	CN161292
CA Number	CA193569
NPD Disposition Plan	