

®
stryker

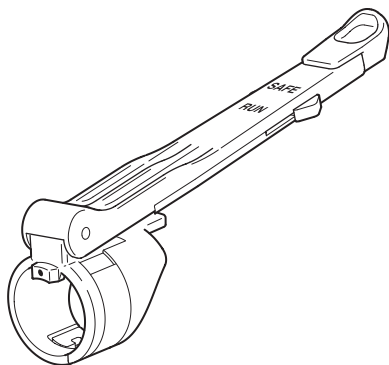
RemB[®] Electric Hand Switch

REF 6400-009-000

Instructions For Use

R_x ONLY

CE 0197



ENGLISH (EN)

Introduction

This *Instructions For Use* manual is the most comprehensive source of information for the safe and effective use of your product. This manual may be used by in-service trainers, physicians, nurses, surgical technologists, and biomedical equipment technicians. Keep and consult this reference manual during the life of the product.

The following conventions are used in this manual:

- A **WARNING** highlights a safety-related issue. ALWAYS comply with this information to prevent patient and/or healthcare staff injury.
- A **CAUTION** highlights a product reliability issue. ALWAYS comply with this information to prevent product damage.
- A **NOTE** supplements and/or clarifies procedural information.

For additional information, especially safety information, or in-service training, contact your Stryker sales representative or call Stryker customer service. Outside the US, contact your nearest Stryker subsidiary.

NOTE: The RemB Electric Hand Switch (handswitch) is also known as the RemB Hand Switch.

Indications For Use

The RemB Electric Hand Switch is intended for use with the Consolidated Operating Room Equipment (CORE™) System and specific RemB Electric handpieces.

The RemB Electric Hand Switch is attached to the handpiece and allows direct operation of the handpiece.

This device can also be used with specific CORE handpieces, the Total Performance System (TPS™) and specific TPS handpieces. See *For Use With*.

Contraindications

None known.

For Use With

SYSTEM	HANDPIECE	REF
RemB Electric	Micro Drill	6400-015-000
	Oscillating Saw	6400-031-000
	Sagittal Saw	6400-034-000
	Reciprocating Saw	6400-037-000
CORE	Micro Drill	5400-015-000
	Oscillating Saw	5400-031-000
	Sagittal Saw	5400-034-000
	Reciprocating Saw	5400-037-000
	U Drill	5400-100-000
TPS	Universal Drill	5100-010-000
	Micro Drill	5100-015-000
	Oscillating Saw	5100-031-000
	Sagittal Saw	5100-034-000
	Reciprocating Saw	5100-037-000
	U ₂ Drill	5100-100-000

User/Patient Safety

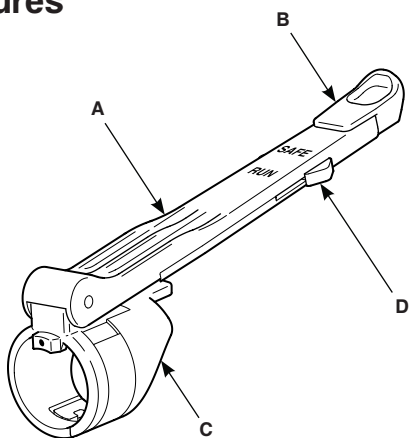


WARNINGS:

- Only trained and experienced healthcare professionals should use this equipment.
- Before using any system component, or any component compatible with this system, read and understand the instructions. Pay particular attention to WARNING information. Become familiar with system components prior to use.
- The healthcare professional performing any procedure is responsible for determining the appropriateness of this equipment and the specific technique for each patient. Stryker, as a manufacturer, does not recommend surgical technique.
- Use only Stryker-approved system components and accessories, unless otherwise specified.
- DO NOT modify any system component or accessory, unless otherwise specified.
- Upon initial receipt and before each use, operate the equipment and inspect each component for damage. DO NOT use any equipment if damage is apparent.
- Upon initial receipt and before each use, clean and sterilize the equipment as indicated. See the care instructions manual supplied with the handpiece.

NOTE: The user and/or patient should report any serious product-related incident to both the manufacturer and the Competent Authority of the European Member State where the user and/or patient is established.


Features



A	Lever
B	Finger Rest
C	Handswitch Band
D	Safety Switch

Definitions

The symbols located on the equipment and/or labeling are defined in this section or in the *Symbol Definition Chart*. See the *Symbol Definition Chart* supplied with the equipment.

SYMBOL	DEFINITION
RUN	Operate Handpiece Position
SAFE	Deactivate Handpiece Position
●	Installation Alignment Mark
	General warning sign

Instructions



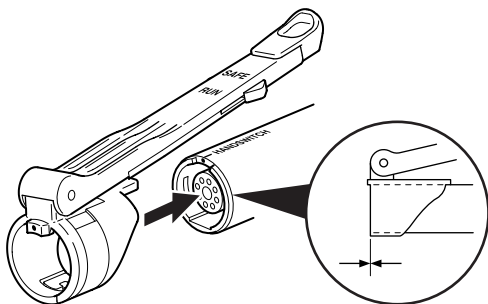
WARNINGS:

- ALWAYS set the safety switch to the SAFE position while the handpiece is idle, when passing the handpiece to another person, or before inserting or removing a cutting accessory or attachment.
- DO NOT press the pedal of a connected footswitch while the safety switch is set to the SAFE position. An accidental pedal press will override the SAFE position and activate the handpiece.

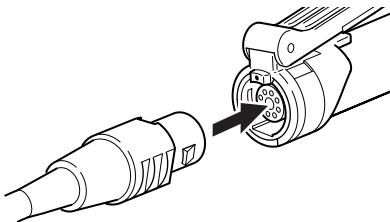
To Install the Handswitch

1. Make sure the cord is not connected to the handpiece.
2. Completely retract the finger rest.
3. Set the safety switch to the SAFE position.
4. Align the alignment mark on the handswitch with the alignment mark on the connector end of the handpiece.
5. Slide the handswitch band over the end of the handpiece until the handswitch band is flush with the handpiece connector.

NOTE: The cord will not seat properly if the handswitch band is not flush with the handpiece connector.



6. Insert the cord into the handpiece connector.



To Operate the Handswitch

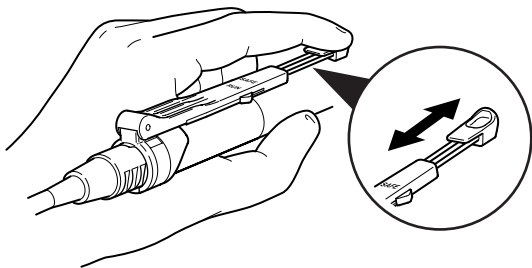


WARNING: ALWAYS operate the equipment within the specified environmental condition values. See the *Specifications* section.

NOTE: See the instructions for use supplied with the handpiece for information about handpiece operation.

1. Adjust the length of the finger rest so that the handpiece can be held like a pencil.

NOTE: When using the handswitch with a TPS Oscillating Saw, fully extend or fully retract the finger rest to clear the handpiece protrusion.



2. Install the cutting accessory into the handpiece.
3. Set the safety switch to the RUN position.
4. Depress the lever to control the variable speed of the handpiece.

NOTE: The maximum handpiece speed is selected from the console.

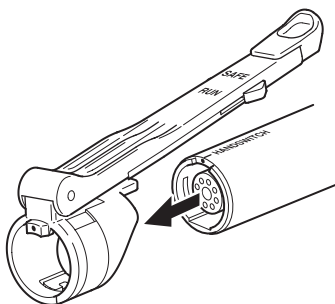
Instructions (continued)

To Remove the Handswitch

1. Completely retract the finger rest.
2. Set the safety switch to the SAFE position.
3. Remove the cutting accessory from the handpiece.
4. Remove the cord from the handpiece connector.

CAUTION: DO NOT pull back on the lever when removing the handswitch from the handpiece.

5. Hold the distal end of the handpiece. Grasp the handswitch band and slide the handswitch off of the handpiece.



Care Instructions

For processing instructions and disposal/recycle information, see the care instructions manual supplied with the handpiece.

Troubleshooting



WARNING: DO NOT disassemble or service this equipment unless otherwise specified.

NOTE: For service, contact your Stryker sales representative or call Stryker customer service. Outside the US, contact your nearest Stryker subsidiary.

PROBLEM	CAUSE	ACTION
The handswitch does not operate.	The handswitch is not properly seated on the handpiece.	Reseat the handswitch on the handpiece.
	The safety switch is in the SAFE position.	Set the safety switch to the RUN position.
The handpiece does not operate at full speed.	The handswitch is sideloaded.	Align the lever with the body of the handpiece.

Specifications



WARNING: ALWAYS check any documentation that accompanies attachments and/or cutting accessories for special duty cycle and usage instructions.

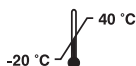
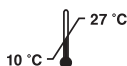
Model:	RemB Electric Hand Switch REF 6400-009-000
Dimensions:	6.0 inch [152.4 mm] length 0.91 inch [23.1 mm] diameter
Mass:	0.036 lb [0.016 kg]

Environmental Conditions:

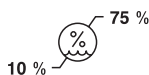
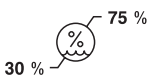
Operation

Storage and Transportation

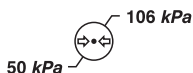
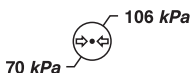
Temperature Limitation:



Humidity Limitation:



Atmospheric Pressure Limitation:



ES/DE/FR/IT/NL	6400-009-713
JA/ZH/KO	6400-009-720
SV/DA/FI/PT/NO	6400-009-730
PL/EL	6400-009-750



Stryker Instruments
1941 Stryker Way
Portage, Michigan
(USA) 49002
1-269-323-7700
1-800-253-3210

stryker[®]