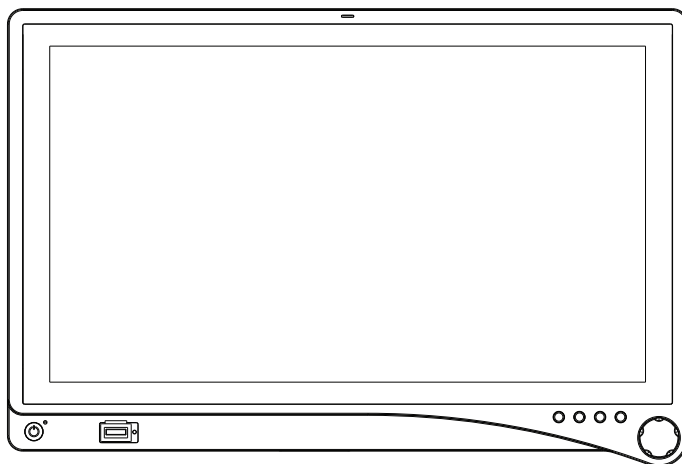


stryker[®]

VisionPro 26" LED Display

REF VisionPro 26" LED Display: 0240-031-020

VisionPro SYNK 26" Wireless LED Display: 0240-031-000



CE **R_x** ONLY

| | |
|------------------|--------|
| English | EN-3 |
| Français..... | FR-27 |
| Deutsch | DE-59 |
| Italiano..... | IT-91 |
| Português..... | PT-123 |
| Español | ES-157 |
| Nederlands | NL-189 |
| Dansk | DA-221 |
| Suomi..... | FI-253 |
| Norsk..... | NO-285 |
| Svenska..... | SV-315 |
| Polski..... | PL-345 |
| Ελληνικά | EL-377 |
| Română | RO-409 |
| Türkçe | TR-441 |
| 简体中文..... | ZH-471 |
| 日本語..... | JA-499 |
| 한국어..... | KO-531 |

Table of Contents

| | |
|--|--------------|
| Warnings and Cautions | EN-1 |
| About Your Device | EN-3 |
| Intended Use and Indications for Use | EN-4 |
| Contraindications..... | EN-4 |
| Package Contents | EN-5 |
| Device Features..... | EN-6 |
| Setup..... | EN-11 |
| Connections..... | EN-11 |
| Basic Video Setup..... | EN-13 |
| Operation | EN-14 |
| On-Screen Display (OSD)..... | EN-14 |
| OSD Menus..... | EN-16 |
| Troubleshooting..... | EN-18 |
| Cleaning and Maintenance..... | EN-19 |
| Technical Specifications | EN-21 |
| Electromagnetic Compatibility..... | EN-23 |
| Symbols and Definitions | EN-26 |

Warnings and Cautions

Please read this manual and follow its instructions carefully. The words warning, caution, and note carry special meanings and should be carefully reviewed:

Warning: Indicates measures to avoid potential serious injury to the user and the patient.

Caution: Indicates risks to the equipment. Failure to follow cautions may result in product damage.

Note: Provides special information to clarify instructions or present additional useful information.

Warnings

To avoid potential serious injury to the user and the patient, please note the following warnings:

1. Read this manual thoroughly and be familiar with its contents prior to using this device.
2. Federal law (United States of America) restricts this device to sale by, or on the order of, a physician.
3. Carefully unpack the device and check if any damage occurred during shipment.
4. This device is non-sterile and therefore should not be placed in the sterile field.
5. Do not place the device or any other heavy object on the power cord. Damage to the cable can cause fire or electric shock.
6. To avoid electric shock, avoid removing the bezel.
7. This device should not be used adjacent to or stacked with other devices. If adjacent or stacked use is necessary, the device should be observed to verify normal operation in the configuration in which it will be used.
8. Test this device prior to a surgical procedure. This device was fully tested at the factory before shipment.
9. Do not attempt internal repairs or adjustments not specifically detailed in this manual. Ensure that readjustments, modifications, and/or repairs are carried out by persons authorized by Stryker Endoscopy.
10. Do not put any object into the panel. If this occurs, unplug the device and have it checked by qualified personnel before operating it any further.
11. Use appropriate caution to prevent contact with fluids if the device is being used with a power supply in patient environments.
12. The use of cables and/or other accessories with this device, other than those specified, may result in increased emissions or decreased immunity of this device.

Cautions

1. Connect the device to an AC adapter connected to a hospital grade power cord ensuring the power cord is plugged into a grounded power outlet to achieve grounding reliability.
2. Do not sterilize the device, as the delicate electronics cannot withstand this procedure.
3. Use only the proprietary surgical display power supply for the display. Completely secure the connection between the DC power cord and the extension cord.
4. Never operate the device immediately after transportation from a cold location to a warm location.

5. To connect to an international power supply, use an attachment plug appropriate for the power outlet, as outlined in the "Technical Specifications" section of this manual.
6. Unplug the device if it is not to be used for an extended period of time. To disconnect the cord, unscrew the plug first, then pull the cord out by the plug. Never pull the cord itself.
7. Do not expose the device to moisture or apply liquid cleaners directly to the screen. Spray the cleaning solution onto a soft cloth and clean gently. For further detail, refer to the "Cleaning and Maintenance" section of this manual.
8. Allow adequate air circulation to prevent internal heat buildup. Do not place the device on surfaces (rugs, blankets, etc.) or near materials (curtains, draperies) that may block the ventilation slots. The device is cooled by natural convection and has no fan.
9. Do not touch the patient with signal input or output connectors. Equipment with SIP/ SOP connectors should either comply with IEC 60601-1 and/or IEC 60601-1-1 harmonized national standards or the combination should be evaluated for safety.
10. To ensure electromagnetic compatibility, refer to the "Electromagnetic Compatibility" section of this manual. The VisionPro 26" LED Display (0240-031-020) and the VisionPro SYNK 26" Wireless LED Display (0240-031-000) must be installed and operated according to the EMC information provided in this manual.
11. Pay close attention to the cleaning instructions in this manual. A deviation may cause damage.
12. Do not install the device near sunlight, excessive dust, mechanical vibration, or shock.
13. Do not position the device so that it is difficult to disconnect the power cord from the supply mains.
14. Do not operate with the glass device screen facing downward.
15. Handle the device with care. Do not strike or scratch the screen.
16. Changes or modifications not expressly approved by the party responsible for compliance could void the user's authority to operate the device.
17. **Note: This device has been tested and found to comply with the limit for a Class B digital device, pursuant to Part 15 of the FCC Rules. These limits are designed to provide reasonable protection against harmful interference in a residential installation. This device generates, uses, and can radiate radio frequency energy and, if not installed and used in accordance with the instructions, may cause harmful interference to radio communications. There is no guarantee that interference will not occur in a particular installation, which can be determined by turning the device off and on. The user is encouraged to try to correct the interference by one or more of the following measures:**
 - Reorient or relocate the receiving device.
 - Increase the separation distance between the device.
 - Connect the device to an outlet on a circuit different from that to which the other device(s) are connected.
 - Consult the manufacturer or field service technician for help.

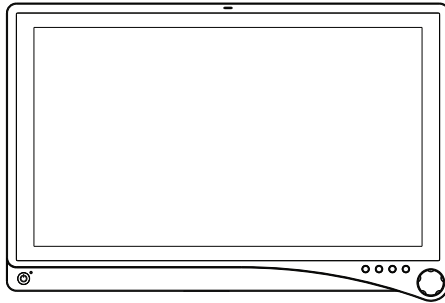
The warranty is void if any of these warnings or cautions are disregarded.

This product contains electrical waste or electronic equipment. It must not be disposed of as unsorted municipal waste and must be collected separately.

About Your Device

VisionPro 26" LED Display

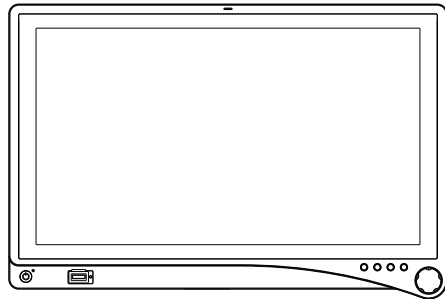
REF: 0240-031-020



The VisionPro 26" LED Display is a wide screen LED surgical display that can support a maximum resolution of WUXGA (1920x1200). The display supports the following video inputs: digital RGB, analog RGB, serial digital interface (SDI), component video (YPbPr/RGBS), S-video, and C-video/SOG. It also supports serial communication via the RS232 port.

VisionPro SYNK 26" Wireless LED Display

REF: 0240-031-000



The VisionPro SYNK 26" Wireless LED Display can be used with the optional SYNK Transmitter (0240-031-010), which allows it to receive a high-definition video signal over a radio-frequency link.

The display supports the following video inputs: DVI, S-Video, and C-Video/SOG. Once the wireless functionality is enabled, the display supports a wireless digital RGB video input. The display also supports a USB port and serial communication via the RS232 port.

Note: The wireless functionality of the VisionPro SYNK 26" Wireless LED Display can only be enabled via the SYNK Transmitter.

For details and instructions on using the SYNK Wireless Transmitter and the wireless functionality of the VisionPro SYNK 26" Wireless LED Display, refer to the SYNK Wireless System manual (P21693).

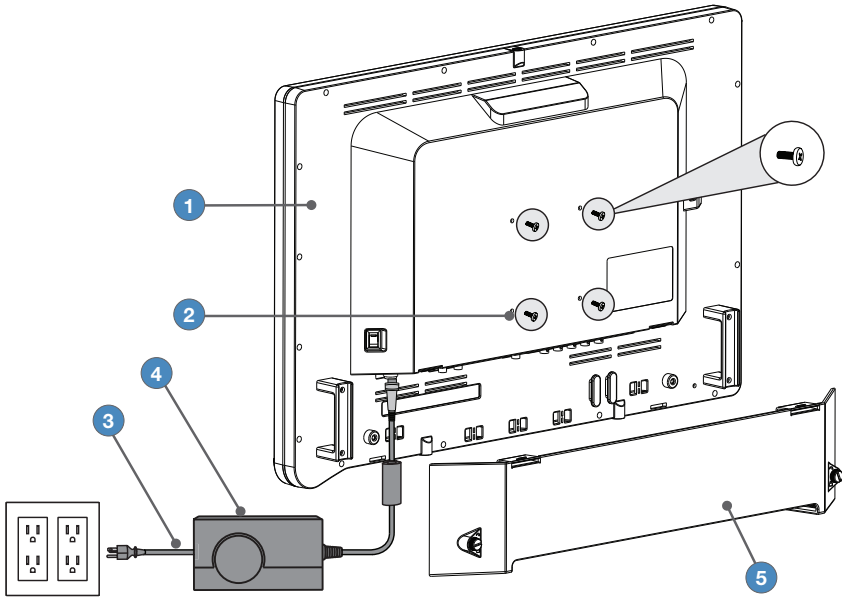
Intended Use and Indications for Use

The VisionPro SYNK 26" Wireless LED Display and the VisionPro 26" LED Display are intended for video display during surgical procedures including arthroscopy (orthopedic surgery), laparoscopy (general and gynecological surgery), thoracoscopy, endoscopy (general, gastroenterological, and ENT surgery) and general surgery. The display is a non-sterile reusable device not intended for use in the sterile field. The display is intended for use by qualified physicians having complete knowledge of these surgical procedures.

Contraindications

There are no known contraindications for this device.

Package Contents



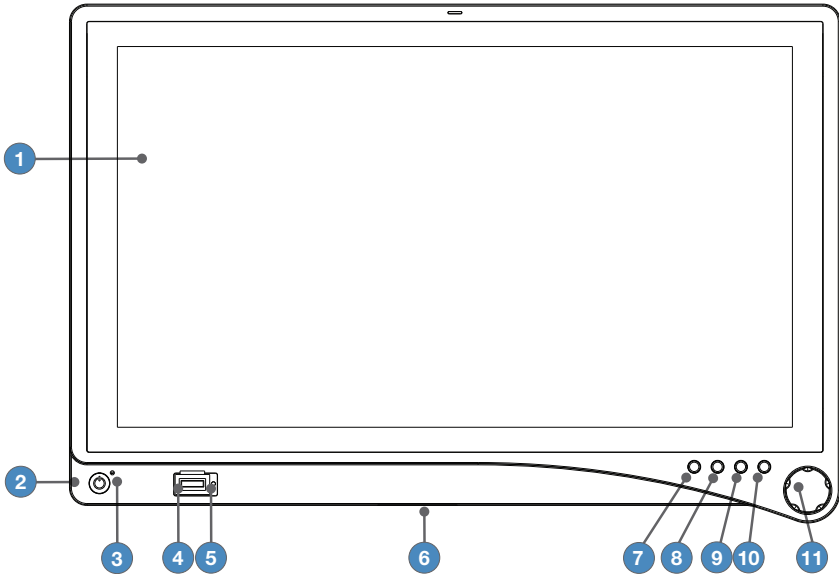
| Reference | Part Number | Package Contents |
|-----------|------------------------------|---|
| 1 | 0240-031-020 0240-031-000 | VisionPro 26" LED Display or VisionPro SYNK 26" Wireless LED Display |
| 2 | – | (4) M4 × 16 mm VESA screws |
| 3 | – | Hospital-grade AC power cord |
| 4 | 0240-031-004 | Medical Power Supply |
| 5 | – | Cable Cover |

| Part Number | Optional Accessories |
|--------------|-----------------------------------|
| 0240-031-002 | VisionPro 26" Display Cover |
| 0240-031-004 | Medical Power Supply |
| 0240-031-010 | SYNK Wireless Transmitter |
| 0240-030-951 | 15-ft. (5 pin) DC extension cable |
| 0240-030-952 | 75-ft. (5 pin) DC extension cable |

Device Features

Front panel

Operate the display using the rotary control located on the front panel. A list of the display controls and their functions is provided below.



- | | |
|---|--|
| 1. Display Screen | Shows video image. |
| 2. Power switch (soft) | Powers the display ON and OFF. |
| 3. Power LED | Indicates current status: Green - Display is powered on or is in screen saver mode Blinking Red - Display is in sleep mode Blinking Amber - Over or under voltage |
| 4. Token slot (VisionPro SYNK 26" Wireless LED Display only) | Token insertion site used to establish a wireless connection with the transmitter. |
| 5. Token LED (VisionPro SYNK 26" Wireless LED Display only) | Green - Link is established Amber - Initializing Blinking Amber - Error, contact service representative |
| 6. Auxillary Connection | Supports auxilliary device connections. |

7. Audio/PIP

VisionPro 26" LED Display:

Accesses the Picture in Picture adjustment menu.

VisionPro SYNK 26" Wireless LED Display:

Press twice for Picture in Picture adjustment menu.

Note: Audio functionality is not enabled at this time.

8. Bright

Accesses the Brightness adjustment menu

9. Specialty

Accesses the Specialty adjustment menu

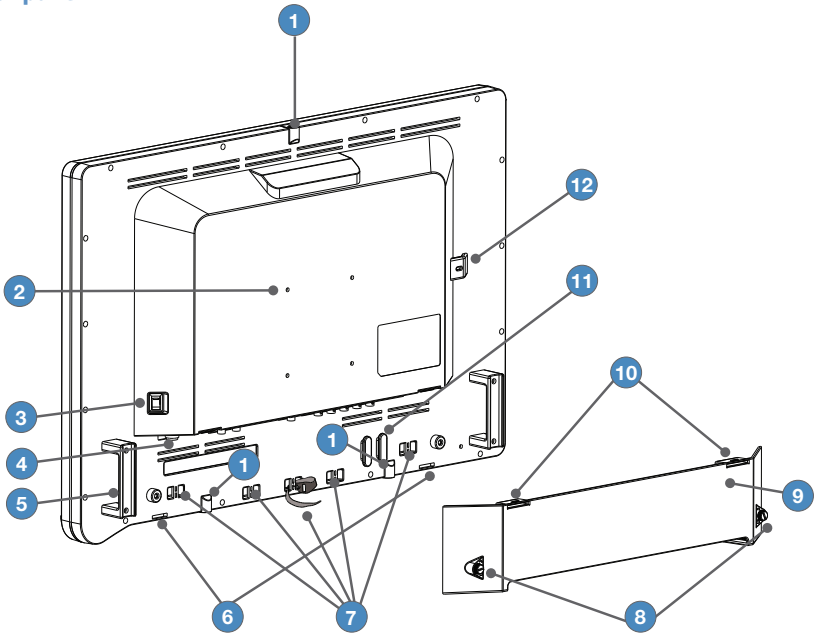
10. Input

Accesses the Input Selection menu

11. Rotary control

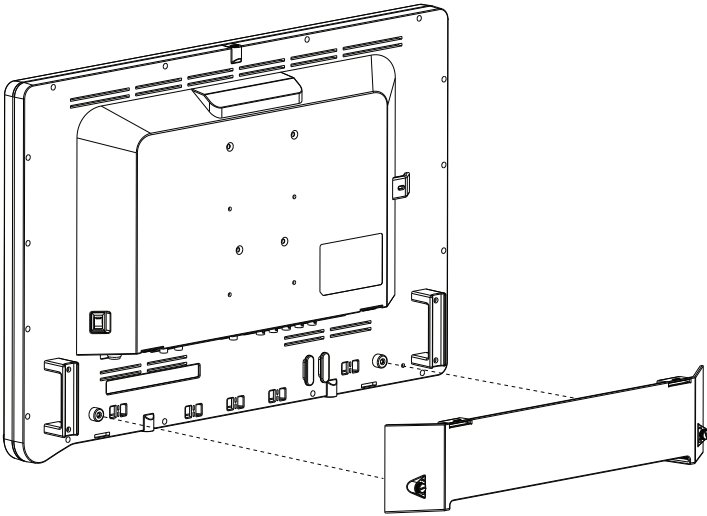
Accesses the on-screen display and navigates through its functions.

Rear panel



- 1. Accessory mounts (3)** Provide an access point for mounting optional accessories.
- 2. VESA mounting holes** Provide access points for mounting the display.
- 3. Power switch (hard)** Powers the input DC power ON and OFF.
- 4. Power connector** Connects to the 24V DC power supply.
- 5. Handles** Aid in display positioning.
Caution: The handles are not intended to bear the entire weight of the display
- 6. Cable cover hinges** Attach the bottom of the cable cover to the display.
- 7. Velcro straps** Straps aid in cable management.
- 8. Cable cover thumbscrews** Attach the cable cover to the display, and are tightened or loosened using fingers.
- 9. Cable cover** Covers and conceals cables.
- 10. Cable cover clips** Attach the top of the cable cover to the display.
- 11. Cable wrap** Provides a location for wrapping cables.
- 12. Locking feature** A locking mechanism or cable may be routed here for security purposes.

Cable Cover



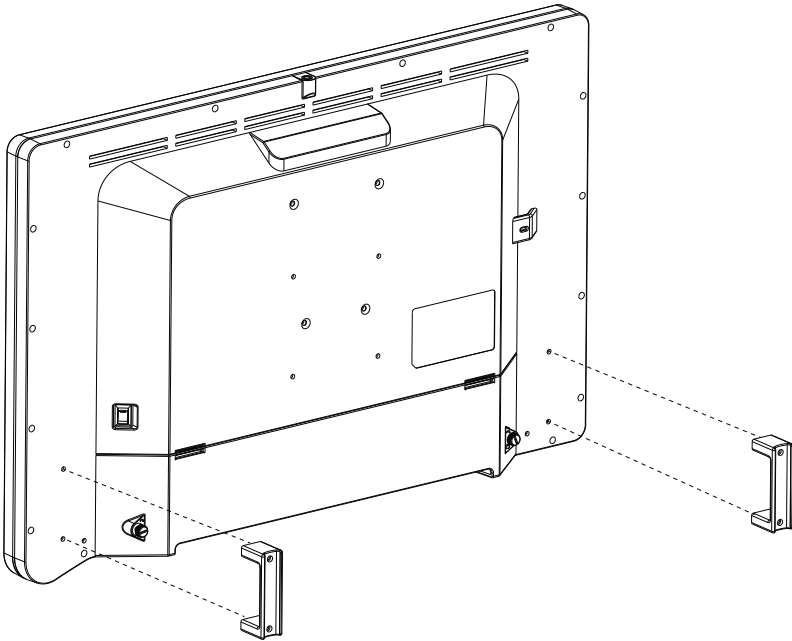
Installing the Cable Cover

1. Align the left and right hinges of the cable cover onto the bottom rear of the display.
2. Snap on the top section of the cable cover to the aligning clips.
3. With your fingers, turn the thumbscrews clockwise to tighten and lock the cable cover onto the display.

Removing the Cable Cover

1. With your fingers, turn the thumbscrews counterclockwise to loosen.
2. Once the thumbscrews are completely loosened, pinch the left and right clips and pull the cable cover towards you.
3. Remove the cable cover from the left and right hinges.

Display Handles



Caution: The handles are intended to aid in positioning the display, not for transporting the display. The handles should not bear the full weight of the display.

Removing the Display Handles

1. Using a 3mm hex key, loosen the two M4 x 30mm screws and gently pull the handle away from the display.

Installing the Display Handles

1. Align the handle with the screw holes on the rear of the display.
2. Using a 3mm hex key, install the two M4 x 30mm screws to attach the handle.

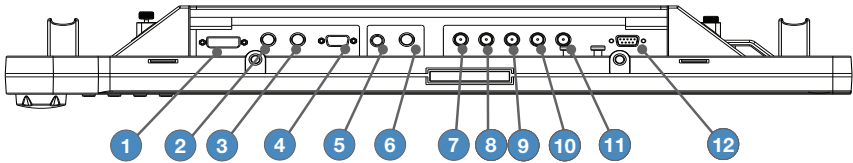
Setup

Stryker Endoscopy considers instructional training, or inservice, an integral part of this device. Your local Stryker Endoscopy sales representative will perform at least one inservice at your convenience to help set up your device and instruct you and your staff on its operation and maintenance. To schedule an inservice, contact your local Stryker Endoscopy representative after your device has arrived.

Connections

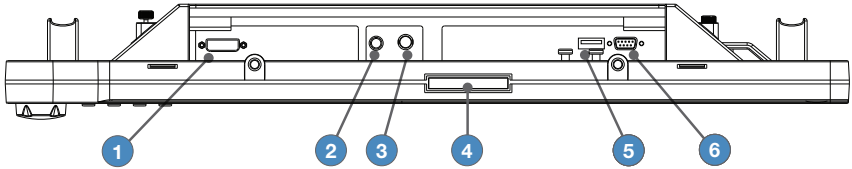
VisionPro 26" LED Display Connection Ports

Video input and output signals are connected to the rear of the display, as illustrated below:



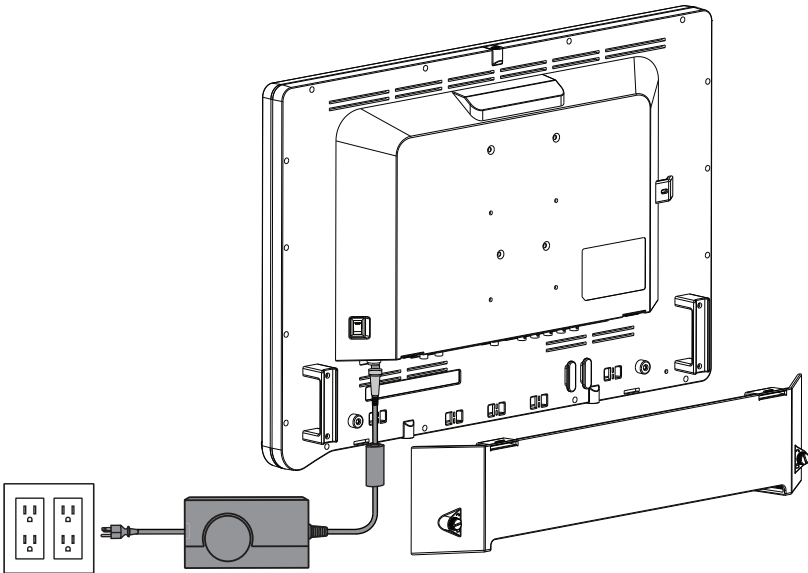
- | | |
|------------------------|------------|
| 1. DVI | 7. R/Pr |
| 2. 3G/HD/SD SDI-in | 8. G/Y |
| 3. 3G/HD/SD SDI-out | 9. B/Pb |
| 4. VGA | 10. H-sync |
| 5. S-Video | 11. V-sync |
| 6. C-Video/SOG | 12. RS232 |

VisionPro SYNK 26" Wireless LED Display Connection Ports



- | | |
|----------------|------------------------|
| 1. DVI | 4. Auxillary Connector |
| 2. S-Video | 5. USB |
| 3. C-Video/SOG | 6. RS232 |

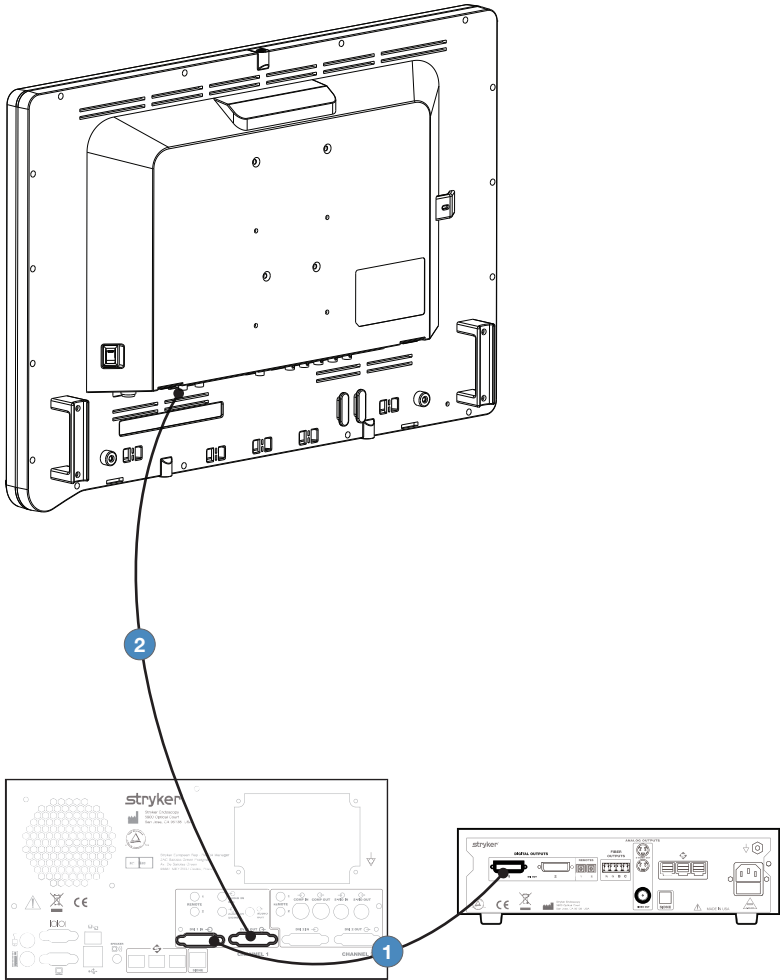
Connecting the Power Supply



1. Connect the power supply to the 24V input on the display.
2. Connect the AC power cord to the power supply*.
3. Connect the AC power, using the supplied hospital-grade power cord.
4. (Optional, not shown) Connect an extension cord between the power supply and display.
5. Install cable cover.

* Power supply information: Model Number: BPM150S24F11, Manufacturer: Bridgepower Corp.

Basic Video Setup



1. Route the video output 1 from the camera to the SDC DVI input.
2. Route the video output 1 from the SDC DVI output to the DVI input on the display.

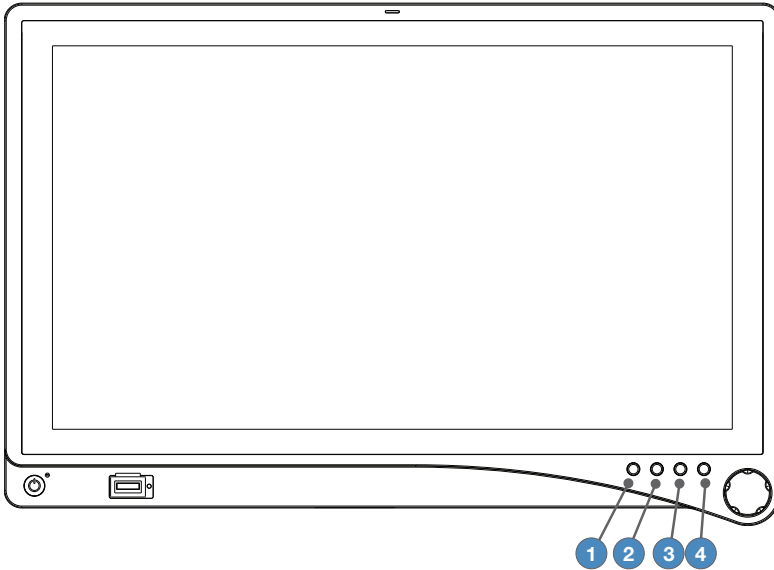
Note: Stryker recommends a backup connection to the camera.

Operation

Operate the display using the rotary control and the four buttons located on the front panel. A list of the display controls and their functions is provided below.

On-Screen Display (OSD)

Accessing the On-Screen Display



To use the four front-panel buttons:

1. **Audio/PIP (VisionPro SYNK 26" Wireless LED Display):**
 - Press twice to activate Picture Mode (Picture in Picture, Picture by Picture, Picture on Picture)
2. **PIP (VisionPro 26" LED Display):**
 - Press to activate Picture Mode (Picture in Picture, Picture by Picture, Picture on Picture)
3. **Bright:** Activates the Brightness adjustment menu.
4. **Specialty:** Activates the Specialty adjustment menu.
5. **Input:** Activates the Input selection menu.

Use the Rotary Control to navigate the on-screen menus once they are activated:

- **Push** — Accesses/selects on-screen display menu.
- **Turn Right/Left** — With the on-screen display menu activated, turning increases/decreases the value of the selected parameter.
- **Push and Hold** — Exits on-screen display menu.

Operating On-Screen Display

The device OSD helps navigate through various device menus.

1. Press the **Rotary Control** to activate the OSD menu.
2. Rotate the **Rotary Control** to move up or down through the menu.
The parameter is highlighted when selected.
3. Press the **Rotary Control** to enter the next level OSD.
4. Rotate the **Rotary Control** to increase or decrease the value of the selected parameter, or to make a selection on different options.
5. To exit the OSD menu screen from the second or third level OSD menu, select the Exit option. To completely exit the OSD, press and hold the **Rotary Control**. If no keys are pressed, the OSD will automatically exit after the factory-set predetermined time (the time is customizable).

OSD Menu

Speciality

| Menu Item | Description | Range |
|---------------------------|--|--------------------------|
| Color Temperature* | Chooses between color temperatures for Lap A, Lap B, Arthro A, Arthro B, Standard, PACS, NORM, ENT, GYN. | — |
| Red | Red balance | -128 – 127 |
| Green | Green balance | -128 – 127 |
| Blue | Blue balance | -128 – 127 |
| Gamma | Gamma value | 0.1 – 2.5, S0, S1, S2 |

* Color Temperature RGB adjustment is available only for Standard, Arth, and Lap settings. PACS and Norm adjustments are only available under SOG input.

Audio (Menu not active at this time)

Brightness Settings

| Menu Item | Description | Range |
|--------------------------|--|---------|
| Brightness | Increases or decreases the brightness | 0 – 100 |
| Contrast | Increases or decreases the contrast | 0 – 100 |
| Phase** | Increases or decreases the Phase level | 0 – 100 |
| Chroma** | Increases or decreases the Chroma level | 0 – 100 |
| Image Sharpness | Sets image sharpness | 1 – 10 |
| Video Sharpness** | Increases or decreases the video sharpness | 0 – 100 |

** Only available under SDI-, S-, or C-video input.

Image Effect

| Menu Item | Description |
|---------------------|---|
| Scale Mode | Chooses scale mode between Fill All, V-Fill, H-Fill, One-To-One, or Fill-Aspect |
| Freeze Frame | Enables or disables freeze frame |
| PIP | Enables PIP (picture in picture) function |
| POP | Enables POP (picture on picture) function |
| PBP | Enables PBP (picture by picture) function |

Advanced Settings

| Menu Item | Description |
|---------------------------------|--|
| Key Lock | Key lock on: Disables all key functions Press and hold the rotary knob to turn off key lock. |
| Auto Source Select | Scans inputs until an active video source is detected. Auto Source Select is disabled during PIP/POP/PBP mode. |
| Sleep Timer | On: The display enters sleep mode if no active video source is detected. |
| | Off: The display will not enter sleep mode. |
| | Timer: Set the time until the display enters sleep mode if no active video source is detected. |
| OSD Control | Controls OSD (On Screen Display) Menu Position, Background, and Timeout |
| Restore Factory Settings | Sets to factory default |
| Screen Control | VGA <ul style="list-style-type: none"> • Horizontal • Vertical • Phase • Frequency |
| | S-Video, C-Video, SOG, RGBs, Component <ul style="list-style-type: none"> • Horizontal • Vertical |

SYNK (for the VisionPro SYNK 26" Wireless LED Display)

| Status | Description |
|---|-------------|
| RX APP: XX.XX.XX RX MAC: XX.XX.XX.XX | Receiver |
| TX APP: XX.XX.XX TX MAC: XX.XX.XX.XX | Transmitter |
| WiFi SW: XXX-X.XX SIGNAL = Excellent, Good, Poor Default Region: XX FREQ: XXXX MHz | Transmitter |

Information

| Menu Item | Description |
|------------------------|---|
| User Name Entry | Enters custom user name display for boot-up display |
| Serial Number | Displays device serial number |
| Runtime | Displays current device total run time |
| Input Format | Displays current input format |

Note: Actual on-screen display values may vary with updated versions of the firmware and user settings.

Troubleshooting

Before returning your display for service, consult the troubleshooting list below:

| Problem | Current Status | Remedy |
|--------------------------|---|--|
| No picture | Power LED on | Using the OSD Menu, adjust the brightness and contrast to maximum, or reset them to their default settings. |
| | Power LED off | Ensure the power switch at the front and rear of the display are set to ON. |
| | | Check if the AC power cord is properly connected to the AC adapter and outlet. |
| | | Check that the power supply is fully connected and functioning properly. |
| | Power LED blinking | Red |
| Amber | | The power supply may be over or under voltage. |
| Abnormal picture | Oversized, undersized, or missing video; or center shift. | Using the Screen Control Menu, adjust the Phase, Frequency, Horizontal, and Vertical settings in order to correct the display image. |
| | | Adjust settings in Scale Mode |
| | | For VGA input only: push and hold the rotary control for 1-2 seconds to re-sync the video feed. |
| | | Wait a few seconds after initial sync of video signals, or power cycle the display. |
| OSD error message | "Out of Range" | Ensure that an acceptable video source is connected. |
| Token LED blinking amber | Error | Contact service representative. |

Cleaning and Maintenance



Warning

To avoid electric shock and potentially fatal injury, unplug the display and power supply from the electrical outlet before cleaning.

Caution

- Do not spray cleaning liquid directly onto the display or the power supply as product damage may result. Spray on the cloth before wiping the unit.
- Do not immerse the display or power supply in any liquid as product damage will result.
- Do not use corrosive cleaning solutions to clean the display or power supply as product damage may result.
- Do not sterilize the display or power supply as product damage may result.

Cleaning

To clean the display or the power supply:

1. If the display cover is in place, remove the cover prior to cleaning.
2. **For the VisionPro SYNK 26" Wireless LED Display:** Make sure to place the cover on the token slot prior to cleaning.
3. Apply standard disinfectant or mild detergent to a dry sterile cloth.
4. Wipe the display or power supply.
5. Take extra care when cleaning the display screen. Excess liquid or drips that enter the bottom of the screen or the power supply receptacle may result in product damage.

Inspection

Always inspect product prior to use. Refer to the Troubleshooting section of this document if any of the following conditions are evident. If product performance remains unsatisfactory, discontinue use and contact your Stryker representative.

- No picture, abnormal picture, or unacceptable image quality
- Inability to power on
- Inappropriate or unresponsive button and/or knob functionality
- Significant physical damage on the display or accessories including unacceptable screen clarity, damaged coatings, corrosion, abnormal noises, cable tears, exposed wiring, and/or any damage preventing a secure mounting interface
- Power LED blinks amber

Expected Service Life

The device and the device accessories' service life is largely determined by wear, cleaning methods, and any damage resulting from use. To extend the time between device servicing, always follow the care and handling instructions in this user manual and the device accessories' user manual.

Disposal



In accordance with European Directive 2012/19/EU on Waste Electrical and Electronic Equipment (WEEE) as amended, product and its accessories should be collected separately for recycling. Do not dispose of as unsorted municipal waste. Contact local distributor for disposal information. Ensure infected equipment is cleaned per the Cleaning section of this IFU and the device accessories' IFU prior to recycling.

Dispose of any system accessories according to normal institutional practice relating to potentially contaminated items.

Adverse Event Reporting

Any serious incident that has occurred in relation to this device should be reported to Stryker and, in the European Union, to the competent authority of the Member State in which the affected person resides.

Technical Specifications

Display

| | |
|--|--|
| LCD Display Panel | 26" (661 mm) Diagonal (a-Si TFT active matrix LCD) |
| Synchronization | 2.5 – 5.0 Vpp separated sync |
| Pixel Pitch | 0.300 (H) x 0.300 (V) mm |
| Response Time | < 18 ms Typ |
| Viewing Angle | Right/Left/Up/Down 89 Degrees |
| Display Colors | 1 billion colors (10 bit) |
| Native Resolution | 1920 (H) dots x 1080 (V) lines |
| VisionPro 26" LED Display Signals | DVI, VGA, 3G/HD/SD-SDI (In/Out), C-Video/SOG, S-Video, Component/RGBs (Y/G, Pb/B, Pr/R, HS, VS), RS232 |
| VisionPro SYNK 26" Wireless LED Display Signals | Wireless digital RGB, DVI, S-Video, C-Video/SOG, RS232 and USB |
| Maximum Pixel Clock | 165 MHz |

Electrical

| | |
|--|---|
| Power Adapter | Input: 100 – 240 VAC; 50 – 60 Hz; 2.5 A (2.5A - 1.5A) Output: 24V DC; 6.25A (150W Max) Model Number: BPM150S24F11 |
| Power Consumption (approximate) | 35 - 65 Watts |

Current/Voltage Rating

Please ensure the respective power cord complies with applicable local regulations and standards.

| | |
|-----------------------------------|--|
| 110V +/- 10V power outlets | Select a power supply cord that is UL Listed and C.S.A Certified, type SJT or SVT, 3 – conductor, 18AWG, terminated in a molded on hospital grade plug cap rated 110V +/- 10V, 15A, with a minimum length of six feet. |
| 220V +/- 20V power outlets | Select a power supply cord that is internationally harmonized and marked "<HAR>"; 3 – conductor, 0.75 mm ² minimum wire, rated 220V +/- 20V, 10A with a PVC insulated jacket. The cord must have a molded on plug cap rated 220V +/-20V, 10A. The cord and plug cap must be suitable for medical use. |

Dimensions

| | |
|-------------------------------|---|
| Dimensions (W x H x D) | 660.4 x 442 x 86.4 mm 26 x 17.4 x 3.4 in |
| Weight (approximate) | 8.3 kg; 18.3 lbs. |

VESA Mounting Interface

VESA 100 × 100 mm

Operating Conditions

| | |
|--------------------------------|------------------------|
| Temperature Range | 50 – 104°F (10 – 40°C) |
| Relative Humidity Range | 25 – 75% |

Transport and Storage Conditions

| | |
|--------------------------------|------------------------|
| Temperature Range | 0 - 140°F (-18 - 60°C) |
| Relative Humidity Range | 15% -90% |

Classification and Approvals

Class 1 Equipment

Medical equipment with respect to electric shock, fire, and mechanical hazards only in accordance with UL 60601-1 and CAN/CSA C22.2 No. 601.1.

IP23: Protection against access to hazardous parts from fingers or similar objects, protection from ingress of spraying water (less than 60° from vertical)

Continuous Operation

Compliance

FCC Regulations

VisionPro 26" LED Display:

FCC Part 15 Class B

FCC Identifier: QVXAMM261WTDS

VisionPro SYNK 26" Wireless LED Display:

FCC Part 15 Class B

FCC Identifier: QVXAMM261WTDSW

FCC Part 15 Class C

FCC Identifier: SSH-SYNKRX (Receiver Board)

FCC Identifier: SSH-SDMAN (Accessory Board)

IC Regulations

VisionPro SYNK 26" Wireless LED Display:

IC: 4919C-SYNKRX (Receiver Board)

IC: 4919C-SDMAN (Accessory Board)

Note: Please contact your local Stryker Endoscopy sales representative for information on changes and new products.

Electromagnetic Compatibility

Like other electrical medical equipment, the VisionPro 26" LED Display, and the VisionPro SYNK 26" Wireless LED Display require special precautions to ensure electromagnetic compatibility with other electrical medical devices. To ensure electromagnetic compatibility (EMC), the display must be installed and operated according to the EMC information provided in this manual. The display has been designed and tested to comply with IEC 60601-1-2 requirements for EMC with other devices.

Note: This equipment is for use in a professional healthcare environment. It is not for use in the RF shielded room of a medical electrical system for magnetic resonance imaging, where the intensity of EM disturbances is high.

Note: This equipment is not likely susceptible to interference from HF surgical instruments in the Special Environment of being in close proximity to an active HF surgical instrument. In the case that HF surgical interference is observed, adjust the separation distance of the equipment.



Warning

When this device is connected with other electrical equipment, leakage currents may be additive. To minimize total leakage current per patient, ensure that all systems are installed according to the requirements of IEC 60601-1-1.

Caution

Portable and mobile RF communications equipment may affect the normal function of the display.

Do not use cables or accessories other than those provided with the display, as this may result in increased electromagnetic emissions or decreased immunity to such emissions.

If the display is used adjacent to or stacked with other equipment, observe and verify normal operation of the display in the configuration in which it will be used prior to using it in a surgical procedure. Consult the tables below for guidance in placing the display.

Guidance and Manufacturer's Declaration: Electromagnetic Emissions

The VisionPro 26" LED Display, and the VisionPro SYNK 26" Wireless LED Display are intended for use in the electromagnetic environment specified below. The customer or the user of the display should ensure it is used in such an environment.

| Emissions test | Compliance | Electromagnetic Environment - guidance |
|--|------------|---|
| RF emissions CISPR 11 | Group 1 | The displays use RF energy only for their internal function; therefore, their RF emissions are very low and are not likely to cause any interference in nearby electronic equipment. |
| RF emissions CISPR 11 | Class B | The displays are suitable for use in all establishments other than domestic establishments and those directly connected to the public low-voltage power supply network that supplies buildings used for domestic purposes, provided the following warning is heeded: Warning: This system is intended for use by health care professionals only. This system may cause radio interference or may disrupt the operation of nearby equipment. It may be necessary to take mitigation measures, such as reorienting or relocating the system or shielding the location. |
| Harmonic emissions IEC61000-3-2 | Class D | |
| Voltage Fluctuations/ flicker emissions IEC61000-3-3 | Complies | |

Guidance and Manufacturer's Declaration — Electromagnetic Immunity

The VisionPro 26" LED Display, and the VisionPro SYNK 26" Wireless LED Display is intended for use in the electromagnetic environment specified below. The customer or the user of the display should ensure that it is used in such an environment.


| Immunity Test | IEC 60601 Test Level | Compliance Level | Electromagnetic Environment-Guidance |
|--|--|--|---|
| Electrostatic Discharge (ESD) IEC 61000-4-2 | ± 8 kV contact ± 15 kV air | ± 8 kV contact ± 15 kV air | Floors should be wood, concrete, or ceramic tile. If floors are covered with synthetic material, the relative humidity should be at least 30%. |
| Electrical fast transient/burst IEC 61000-4-4 | ± 2 kV for power supply lines ± 1 kV for input/output lines (if applicable) | ± 2 kV line to ground ± 1 kV line to line (if applicable) | Mains power quality should be that of a typical commercial or hospital environment. |
| Surge IEC 61000-4-5 | ± 1 kV differential mode ± 2 kV common mode | ± 1 kV differential mode ± 2 kV common mode | Mains power quality should be that of a typical commercial or hospital environment. |
| Voltage dips, short interruptions and voltage variations on power supply input lines IEC 61000-4-11 | 0% U_T 0.5 cycle 0% U_T 1 cycle 70% U_T 25 cycles 0% U_T 5 sec. | 0% U_T 0.5 cycle 0% U_T 1 cycle 70% U_T 25 cycles 0% U_T 5 sec. | Mains power quality should be that of a typical commercial or hospital environment. If the user of the transmitter requires continued operation during power mains interruptions, it is recommended that the Wireless Transmitter be powered from an uninterruptible power supply or a battery. |
| Power frequency (50/60 Hz) magnetic field IEC 61000-4-8 | 30 A/m | 30 A/m | Power-frequency magnetic fields should be at levels characteristic of a typical location in a typical commercial or hospital environment. |

Note: U_T is the AC mains voltage prior to application of the test level.

Guidance and Manufacturer's Declaration: Electromagnetic Immunity

The VisionPro 26" LED Display and the VisionPro SYNK 26" Wireless LED Display are intended for use in the electromagnetic environment specified below.

The customer or the user of the display should ensure that it is used in such an environment.

| Immunity Test | IEC 60601 Test level | Compliance Level | Electromagnetic Environment - Guidance |
|-------------------------------|-----------------------------|------------------|---|
| Conducted RF IEC 61000-4-6 | 3 Vrms 150 kHz to 80 MHz | 3 V | <p>Portable and mobile RF communications equipment should be used no closer to any part of the displays, including their cables, than the recommended separation distance calculated from the equation applicable to the frequency of the transmitter.</p> <p>Recommended Separation Distance:</p> $d = 2\sqrt{P}$ <p>80 MHz to 2.7 GHz</p> <p>where P is the maximum output power rating of the transmitter in watts (W) according to the transmitter manufacturer and d is the recommended separation distance in meters (m).</p> <p>Field strengths from fixed RF transmitters, as determined by an electromagnetic site survey (a), should be less than the compliance level in each frequency range(b).</p> <p>Interference may occur in the vicinity of equipment marked with the following symbol:</p>  |
| Radiated RF IEC 61000-4-3 | 10 V/m 80 MHz to 2.7 GHz | 10 V/m | |

- (a) Field strengths from fixed transmitters, such as base stations for radio (cellular/cordless) telephones and land mobile radios, amateur radio, AM and FM radio broadcast, and TV broadcast, cannot be predicted theoretically with accuracy. To assess the electromagnetic environment due to fixed RF transmitters, an electromagnetic site survey should be considered. If the measured field strength in the location in which the VisionPro 26" LED Display and the VisionPro SYNK 26" Wireless LED Display are used exceeds the applicable RF compliance level above, the display and transmitter should be observed to verify normal operation. If abnormal performance is observed, additional measures may be necessary, such as reorienting or relocating the display.
- (b) Over the frequency range 150 kHz to 80 MHz, field strengths should be less than 3 V/m.

Tested specifications for immunity to RF wireless communications equipment

| Test frequency (MHz) | Band (MHz) | Service | Modulation | Maximum power (W) | Distance (m) | Immunity test level (V/m) |
|----------------------|------------|--|---------------------------------------|-------------------|--------------|---------------------------|
| 385 | 380-390 | TETRA 400 | Pulse modulation 18 Hz | 1.8 | 0.3 | 27 |
| 450 | 430-470 | GMRS 460, FRS 460 | FM ± 5 kHz deviation 1 kHz sine | 2 | 0.3 | 28 |
| 710 | 704 - 787 | LTE Band 13, 17 | Pulse modulation 217 Hz | 0.2 | 0.3 | 9 |
| 745 | | | | | | |
| 780 | | | | | | |
| 810 | 800-960 | GSM 800/900, TETRA 800, iDEN 820, CDMA 850, LTE Band 5 | Pulse modulation 18 Hz | 2 | 0.3 | 28 |
| 870 | | | | | | |
| 930 | | | | | | |
| 1720 | 1700-1990 | GSM 1800; CDMA 1900; GSM 1900; DECT; LTE Band 1, 3, 4, 25; UMTS | Pulse modulation 217 Hz | 2 | 0.3 | 28 |
| 1845 | | | | | | |
| 1970 | | | | | | |
| 2450 | 2400-2570 | Bluetooth, WLAN, 802.11 b/g/n, RFID 2450, LTE Band 7 | Pulse modulation 217 Hz | 2 | 0.3 | 28 |
| 5240 | 5100-5800 | WLAN 802.11 a/n | Pulse modulation 217 Hz | 0.2 | 0.3 | 9 |
| 5500 | | | | | | |
| 5785 | | | | | | |

Note: Portable RF Communication equipment should be used no closer than 30 cm to the VisionPro 26" LED Display and the VisionPro SYNK 26" Wireless LED Display. Otherwise, degradation of the performance of this equipment could result.

Hereby, Stryker declares that the VisionPro SYNK 26" Wireless LED Display is in compliance with the essential requirements and other relevant provisions of Directive 1999/5/EC. A copy of the declaration of conformity may be obtained from Stryker Endoscopy, 5900 Optical Court, San Jose, CA, 95138, USA.

Symbols and Definitions

The following symbols appear on the product, its labeling, or the product packaging. Each symbol carries a special definition, as defined below:



Consult Instructions for Use



Attention:
See Instructions for Use



Serial Number



Quantity



Temperature range



Humidity range



Authorized European Representative



Country of Origin



Catalog number



Direct Current



Date of Manufacture



Legal manufacturer



Tested to comply with FCC Class B and C standards



Wireless Transmission



Federal law restricts this device to sale by or on the order of a physician



The device meets European Union medical device requirements



Device recycling code (applicable in China)



China Compulsory Certificate Mark

IP23

Enclosure provides protection against:

- Access to hazardous parts from fingers or similar objects
- Spraying water (less than 60° from vertical)



Complies with Australian regulatory requirements



Medical Equipment is in accordance with AAMI ES60601-1 and CSA C22.2 No. 60601-1-08-CAN/CSA in regards to electric shock, fire hazards, and mechanical hazards



This product contains electrical waste or electronic equipment. It must not be disposed of as unsorted municipal waste and must be collected separately.



Medical Device in the European Union

Table des matières

| | |
|---|--------------|
| Avertissements et mises en garde | FR-29 |
| À propos de l'appareil..... | FR-32 |
| Utilisation prévue et indications d'emploi..... | FR-33 |
| Contre-indications..... | FR-33 |
| Contenu de l'emballage..... | FR-34 |
| Fonctionnalités | FR-35 |
| Installation | FR-40 |
| Branchements | FR-40 |
| Installation vidéo de base | FR-42 |
| Fonctionnement | FR-43 |
| Affichage sur écran (OSD) | FR-43 |
| Menus de l'affichage sur écran | FR-45 |
| Dépannage..... | FR-48 |
| Nettoyage et maintenance | FR-49 |
| Caractéristiques techniques..... | FR-51 |
| Compatibilité électromagnétique..... | FR-53 |
| Symboles et définitions..... | FR-57 |

Avertissements et mises en garde

Prrière de lire l'intégralité de ce manuel et d'en suivre attentivement les instructions. Les termes avertissement, mise en garde et remarque ont une signification particulière et doivent être considérés avec attention :

Avertissement : indique les mesures permettant d'éviter tout risque de blessure grave du patient et de l'utilisateur.

Mise en garde : les mises en garde signalent des risques pour l'équipement. Le non-respect de ces mises en garde peut endommager l'appareil.

Remarque : les remarques fournissent des informations spéciales permettant de clarifier les instructions, ou présentent d'autres informations utiles complémentaires.

Avertissements

Afin d'éviter tout risque de blessure grave du patient et de l'utilisateur, ce dernier doit respecter les avertissements suivants :

1. Lire entièrement ce manuel et se familiariser avec son contenu avant d'utiliser l'appareil.
2. La loi fédérale américaine autorise la vente de cet appareil uniquement par ou sous la responsabilité d'un médecin.
3. Déballer l'appareil avec précaution et vérifier qu'il n'a pas été endommagé pendant le transport.
4. Cet appareil n'étant pas stérile, il ne doit pas être placé dans le champ stérile.
5. Ne pas placer l'appareil ou tout autre objet lourd sur le cordon d'alimentation. L'endommagement du câble peut entraîner un risque d'incendie ou d'électrocution.
6. Afin d'éviter toute décharge électrique, ne pas enlever le cadre.
7. Cet appareil ne doit pas être utilisé à proximité de ou empilé sur d'autres équipements. Si une telle configuration est nécessaire, vérifier que l'appareil fonctionne normalement dans la configuration prévue pour son utilisation.
8. Tester l'appareil préalablement à toute procédure chirurgicale. Cet appareil a été intégralement contrôlé en usine avant son transport.
9. Ne tenter aucun réglage ou réparation interne qui ne soit spécifiquement détaillé dans ce manuel. S'assurer que les réajustements, modifications et/ou réparations sont effectués par des personnes autorisées par la société Stryker Endoscopy.
10. Ne placer aucun objet à l'intérieur du panneau. Dans une telle éventualité, débrancher l'appareil et le faire contrôler par un technicien qualifié avant de le remettre en marche.
11. Procéder avec la prudence qui s'impose afin d'éviter tout contact avec des liquides si l'appareil est utilisé avec une alimentation électrique dans des environnements de patient.
12. L'utilisation de câbles et/ou d'accessoires autres que ceux spécifiés peut augmenter les émissions ou réduire l'immunité de cet appareil.

Mises en garde

1. Brancher l'appareil à un adaptateur secteur CA raccordé à un cordon d'alimentation électrique de qualité hospitalière, en veillant à ce que ce dernier soit branché à une prise reliée à la terre afin de garantir une mise à la terre fiable.
2. Ne pas stériliser l'appareil, car ses éléments électroniques fragiles ne supportent pas une telle procédure.
3. Utiliser exclusivement la source d'alimentation propriétaire destinée à l'écran chirurgical. Fixer complètement le raccord entre le cordon d'alimentation CC et la rallonge.
4. Ne jamais utiliser l'appareil aussitôt après l'avoir directement déplacé d'un emplacement froid vers un emplacement chaud.
5. Pour brancher l'appareil sur une source d'alimentation universelle, utiliser une fixation appropriée avec la prise, comme décrit à la section « Caractéristiques techniques » de ce manuel.
6. Débrancher l'appareil si celui-ci ne doit pas être utilisé pendant une période prolongée. Pour débrancher le cordon, tirer sur la prise après l'avoir dévissée. Ne jamais tirer directement sur le cordon.
7. Ne pas exposer l'appareil à l'humidité ni appliquer des solutions de nettoyage liquides directement sur l'écran. Vaporiser la solution de nettoyage sur un chiffon doux et nettoyer délicatement. Le cas échéant, se reporter à la section « Nettoyage et maintenance » du présent manuel.
8. S'assurer que l'air peut circuler librement afin d'éviter toute augmentation de la température interne. Ne pas placer l'appareil sur des surfaces (tapis, couvertures, etc.) ou à proximité de tissus (rideaux, draperies) susceptibles d'obstruer les orifices de ventilation. Le refroidissement de l'appareil s'effectue par convection naturelle. L'appareil n'est doté d'aucun ventilateur.
9. Éviter tout contact du patient avec les connecteurs d'entrée et de sortie de signal. Les équipements dotés de connecteurs SIP/SOP doivent être conformes aux normes nationales harmonisées CEI 60601-1 et/ou CEI 60601-1-1, ou leur combinaison doit être évaluée en matière de sécurité.
10. Pour garantir la compatibilité électromagnétique, se reporter à la section « Compatibilité électromagnétique » de ce manuel. L'écran LED VisionPro 26" (0240-031-020) et l'écran LED sans fil VisionPro SYNK 26" (0240-031-000) doivent être installés et utilisés conformément aux instructions relatives à la compatibilité électromagnétique décrites dans le présent manuel.
11. Accorder une attention particulière aux instructions de nettoyage décrites dans ce manuel. Tout manquement dans ce domaine peut entraîner des dommages.
12. Placer l'appareil à l'abri des rayons du soleil, d'une poussière excessive, de vibrations mécaniques ou de chocs.
13. Ne pas placer le dispositif de manière à ce qu'il soit difficile de déconnecter le cordon d'alimentation de l'alimentation réseau.
14. Ne pas utiliser l'écran avec le verre orienté vers le bas.

15. Manipuler l'appareil avec précaution. Ne pas donner de coup à l'écran, ni le rayer.
16. Tout changement ou modification non approuvé expressément par le responsable de la conformité peut annuler l'autorisation d'utilisation de l'appareil.
17. **Remarque : Ce matériel a été testé et déclaré conforme aux limites des appareils numériques de Classe B, conformément à la Partie 15 des règlements de la FCC. Ces limites ont été conçues pour fournir une protection adéquate contre les interférences nuisibles dans une installation résidentielle. Ce matériel génère, utilise et peut émettre une énergie de radiofréquence et, s'il n'est pas installé et utilisé conformément aux instructions, il risque de créer des parasites sur les communications radio. Néanmoins, il n'existe pas de garantie qu'aucune interférence ne se produira dans une installation particulière, ce qui peut être déterminé en allumant et en éteignant le matériel. L'utilisateur est encouragé à tenter de corriger ces interférences au moyen d'une ou plusieurs des mesures suivantes :**
 - Réorienter ou déplacer le dispositif de réception.
 - Augmenter la distance entre les appareils.
 - Connecter l'appareil à un circuit différent de celui auquel le ou les autres appareils sont branchés.
 - Consulter le fabricant ou un technicien pour obtenir de l'aide.

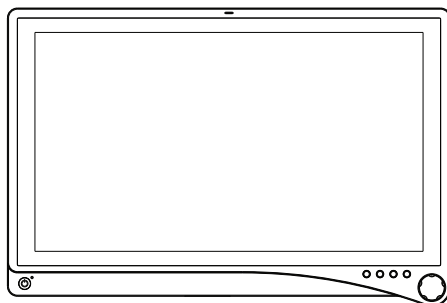
La garantie n'est pas valable si l'un des avertissements ou l'une des précautions est ignoré.

Ce produit comprend des composants électriques ou électroniques. Il ne doit pas être mis au rebut en tant que déchet ménager ordinaire mais doit être collecté séparément.

À propos de l'appareil

Écran LED VisionPro 26"

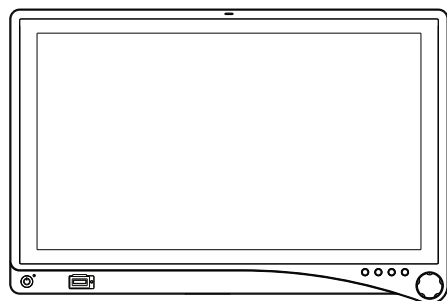
RÉF. : 0240-031-020



L'écran LED VisionPro 26" est un grand écran chirurgical LED qui prend en charge une résolution maximale de WUXGA (1 920 x 1 200). Cet écran accepte les entrées vidéo suivantes : RVB numérique, RVB analogique, interface numérique série (SDI), composante vidéo (YPbPr/RVBS), S-vidéo et C-vidéo/SOG. Il accepte également la communication série par le port RS232.

Écran LED sans fil VisionPro SYNK 26"

RÉF. : 0240-031-000



L'écran LED sans fil VisionPro SYNK 26" peut être utilisé avec l'émetteur SYNK en option (0240-031-010 ou 0240-031-011) qui permet de recevoir un signal vidéo haute définition sur une liaison de radiofréquence.

Cet écran accepte les entrées vidéo suivantes : DVI, S-Vidéo et C-Vidéo/SOG. Une fois la fonctionnalité sans fil activée, l'écran accepte une entrée vidéo numérique sans fil RVB. Cet écran dispose également d'un port USB et accepte une communication série par le port RS232.

Remarque : La fonctionnalité sans fil de l'écran LED sans fil VisionPro SYNK 26" ne peut être activé qu'à l'aide de l'émetteur SYNK.

Pour obtenir des informations détaillées sur l'utilisation de l'émetteur sans fil SYNK et de la fonctionnalité sans fil de l'écran LED sans fil VisionPro SYNK 26", se référer au manuel du Système sans fil SYNK (P21693).

Utilisation prévue et indications d'emploi

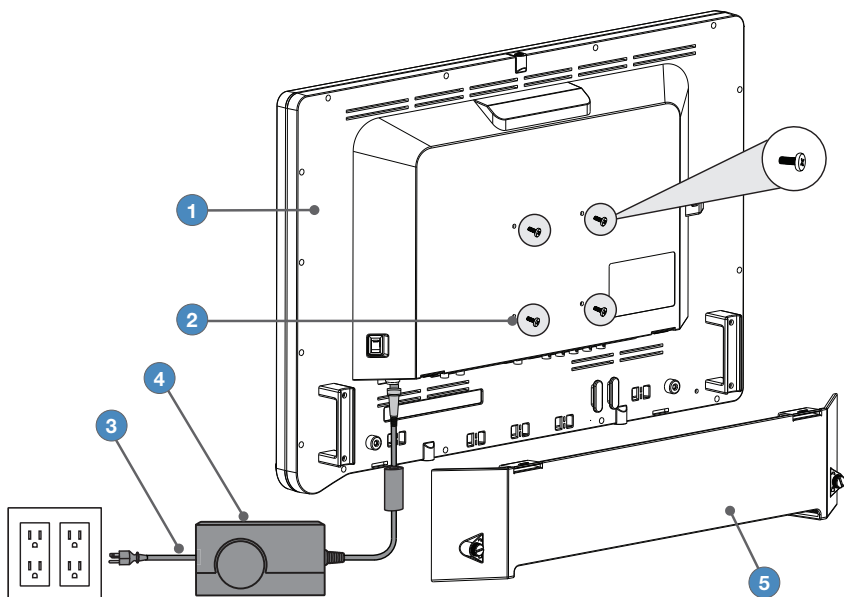
L'écran LED sans fil VisionPro SYNK 26" et l'écran LED VisionPro 26" sont destinés à l'affichage vidéo pendant les procédures chirurgicales, notamment en arthroscopie (chirurgie orthopédique), laparoscopie (chirurgie générale et gynécologique), thoracoscopie, endoscopie (chirurgie générale, gastroentérologique et ORL) et chirurgie générale. L'écran est un appareil réutilisable non stérile, qui n'est pas conçu pour être utilisé dans le champ stérile. Il est destiné aux praticiens qualifiés possédant une connaissance parfaite des procédures chirurgicales indiquées.

L'écran est un appareil réutilisable non stérile, qui n'est pas conçu pour être utilisé dans le champ stérile. Il est destiné aux praticiens qualifiés possédant une connaissance parfaite des procédures chirurgicales indiquées.

Contre-indications

Il n'existe pas de contre-indications connues pour cet appareil.

Contenu de l'emballage



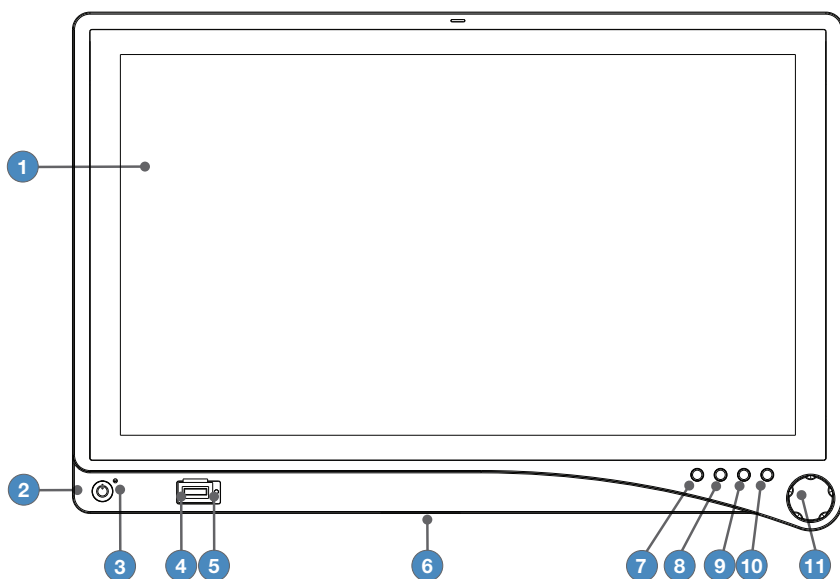
| Référence | Numéro de référence | Contenu de l'emballage |
|-----------|------------------------------|---|
| 1 | 0240-031-020 0240-031-000 | Écran LED VisionPro 26" ou Écran LED sans fil VisionPro SYNK 26" |
| 2 | – | (4) vis M4 VESA de 16 mm |
| 3 | – | Cordon d'alimentation CA conforme aux normes médicales |
| 4 | 0240-031-004 | Source d'alimentation électrique médicale |
| 5 | – | Protège-câbles |

| Numéro de référence | Accessoires en option |
|---------------------|---|
| 0240-031-002 | Protection d'écran VisionPro 26" |
| 0240-031-004 | Source d'alimentation électrique médicale |
| 0240-031-010 | Émetteur sans fil SYNK |
| 0240-030-951 | Rallonge CC de 4,5 m (5 broches) |
| 0240-030-952 | Rallonge CC de 23 m (5 broches) |

Fonctionnalités

Panneau avant

Pour commander l'écran, il suffit d'utiliser la commande à rotation située sur le panneau avant. La liste des commandes de l'écran et leur fonction est décrite ci-dessous.



- | | |
|---|---|
| 1. Écran d'affichage | Affiche l'image vidéo. |
| 2. Interrupteur d'alimentation (tactile) | Met l'écran sous et hors tension. |
| 3. DEL d'alimentation | Indique l'état actuel : Vert - l'écran est allumé ou en mode économie d'énergie Rouge clignotant - l'écran est en mode veille Orange clignotant - surtension ou sous-tension |
| 4. Fente pour clé (écran LED sans fil VisionPro SYNK 26'' uniquement) | Port d'insertion de la clé permettant d'établir une connexion sans fil avec l'émetteur. |
| 5. Voyant lumineux de la clé (écran LED sans fil VisionPro SYNK 26'' uniquement) | Vert - la liaison est établie Orange - initialisation en cours Orange clignotant - erreur, contacter un représentant de l'assistance technique |
| 6. Connexions auxiliaires | Accepte la connexion à un appareil auxiliaire. |

7. Audio/PIP

Écran LED VisionPro 26" :

Permet d'accéder au menu de réglage d'incrustation d'image

Écran LED sans fil VisionPro SYNK 26" :

Appuyer deux fois pour accéder au menu de réglage d'incrustation d'image.

Remarque : La fonctionnalité audio n'est pas activée à ce jour.

8. Luminosité

Permet d'accéder au menu de réglage de la luminosité

9. Spécialité

Permet d'accéder au menu de réglage de la spécialité

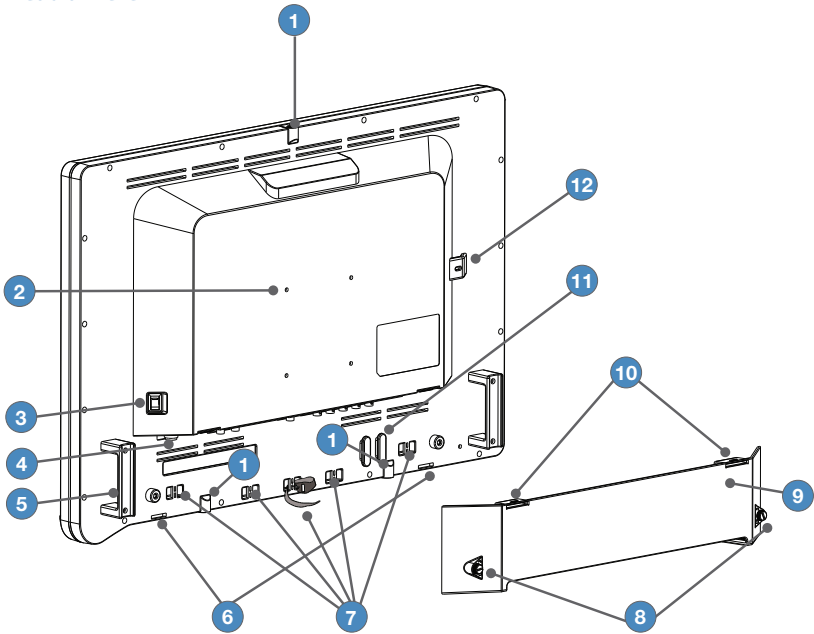
10. Entrée

Permet d'accéder au menu de sélection d'entrée

11. Commande à rotation

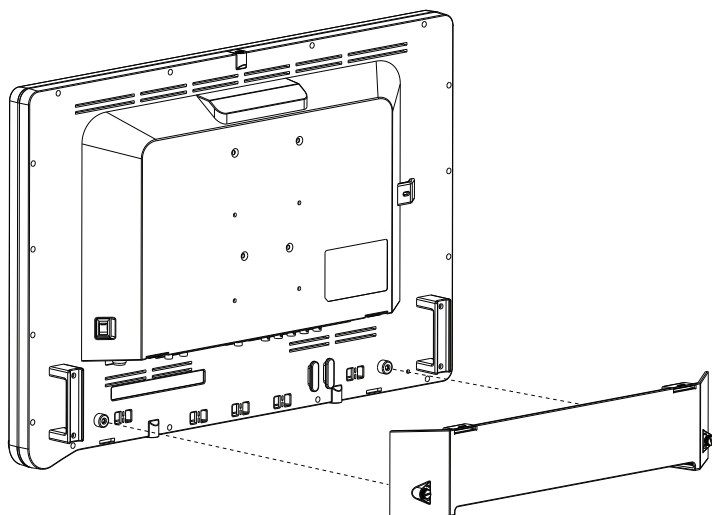
Permet d'accéder à l'affichage sur écran et de naviguer entre ses fonctions.

Panneau arrière



- 1. Supports d'accessoires (3)** Fournissent un point d'accès pour monter des accessoires en option.
- 2. Trous de montage VESA** Fournissent des points d'accès pour monter l'écran.
- 3. Interrupteur d'alimentation (à bascule)** Met la source d'alimentation CC sous/hors tension.
- 4. Connecteur d'alimentation** Assure la connexion à la source d'alimentation 24 V CC.
- 5. Poignées** Facilitent le positionnement de l'écran.
Mise en garde : les poignées ne sont pas destinées à supporter tout le poids de l'écran.
- 6. Charnières du protège-câbles** Fixent la base du protège-câbles à l'écran.
- 7. Bandes Velcro** Les bandes facilitent la gestion des câbles.
- 8. Vis du protège-câbles** Fixent le protège-câbles à l'écran et sont vissées ou dévissées à la main.
- 9. Protège-câbles** Couvre et dissimule les câbles.
- 10. Agrafes du protège-câbles** Fixent le haut du protège-câbles à l'écran.
- 11. Emballage de câble** Fournit un emplacement pour l'emballage des câbles.
- 12. Fonction de verrouillage** Un mécanisme de verrouillage ou un câble peut être acheminé ici pour des raisons de sécurité.

Protège-câbles



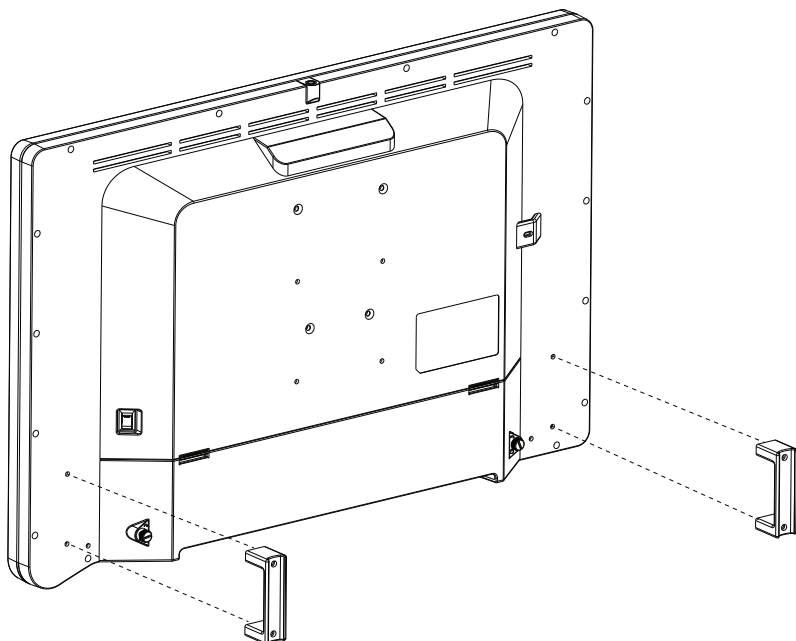
Mise en place du protège-câbles

1. Aligner les charnières gauche et droite du protège-câbles sur le bord inférieur arrière de l'écran.
2. Emboîter la partie supérieure du protège-câbles sur les attaches d'alignement.
3. Avec les doigts, tourner les vis dans le sens des aiguilles d'une montre afin de resserrer et bloquer le protège-câbles sur l'écran.

Retrait du protège-câbles

1. Avec les doigts, tourner les vis dans le sens inverse des aiguilles d'une montre afin de les desserrer.
2. Lorsqu'elles sont complètement dévissées, pincer les attaches gauche et droite et tirer le protège-câbles vers soi.
3. Retirer le protège-câbles des charnières gauche et droite.

Poignées de l'écran



Mise en garde : les poignées sont destinées à faciliter le positionnement de l'écran et non à le transporter. Les poignées ne doivent pas supporter tout le poids de l'écran.

Retrait des poignées de l'écran

1. À l'aide d'une clé hexagonale de 3 mm, desserrer les deux vis M4 de 30 mm et écarter délicatement la poignée de l'écran.

Installation des poignées de l'écran

1. Aligner la poignée sur les trous des vis à l'arrière de l'écran.
2. À l'aide d'une clé hexagonale de 3 mm, installer les deux vis M4 de 30 mm pour fixer la poignée.

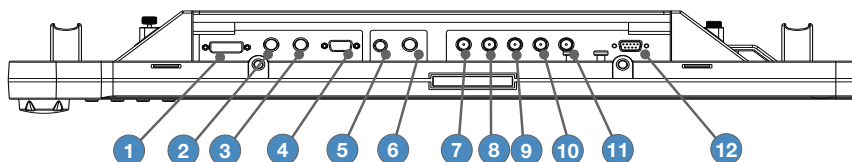
Installation

La société Stryker Endoscopy considère que la formation didactique ou sur site fait partie intégrante de l'acquisition de cet appareil. Le représentant local de Stryker Endoscopy réalisera au moins une séance de formation sur site, à la convenance du client, pour l'aider à installer l'écran, et pour en enseigner le fonctionnement et la maintenance au client et à son personnel. Pour planifier une formation sur site, contacter le représentant local de Stryker Endoscopy après la livraison de l'appareil.

Branchements

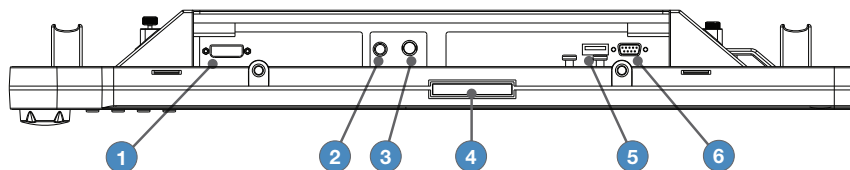
Ports de connexion de l'écran LED VisionPro 26"

Les dispositifs d'entrée et de sortie vidéo sont connectés à l'arrière de l'écran, comme illustré ci-dessous :



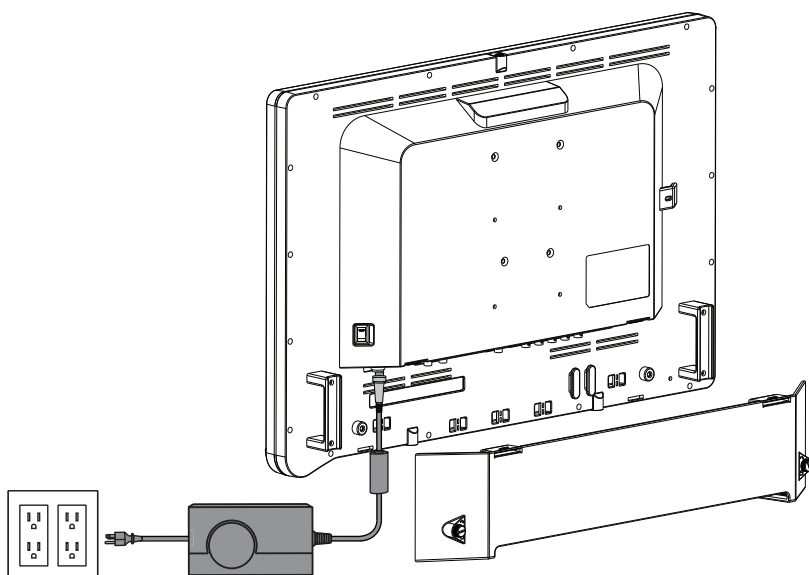
- | | |
|---------------------------|------------|
| 1. DVI | 7. R/Pr |
| 2. Entrée SDI 3G/HD/SD | 8. G/Y |
| 3. Sortie SDI 3G/HD/SD | 9. B/Pb |
| 4. VGA | 10. H-sync |
| 5. S-Vidéo | 11. V-sync |
| 6. C-Vidéo/SOG | 12. RS232 |

Ports de connexion de l'écran LED sans fil VisionPro SYNK 26"



- | | |
|----------------|--------------------------|
| 1. DVI | 4. Connecteur auxiliaire |
| 2. S-Vidéo | 5. USB |
| 3. C-Vidéo/SOG | 6. RS232 |

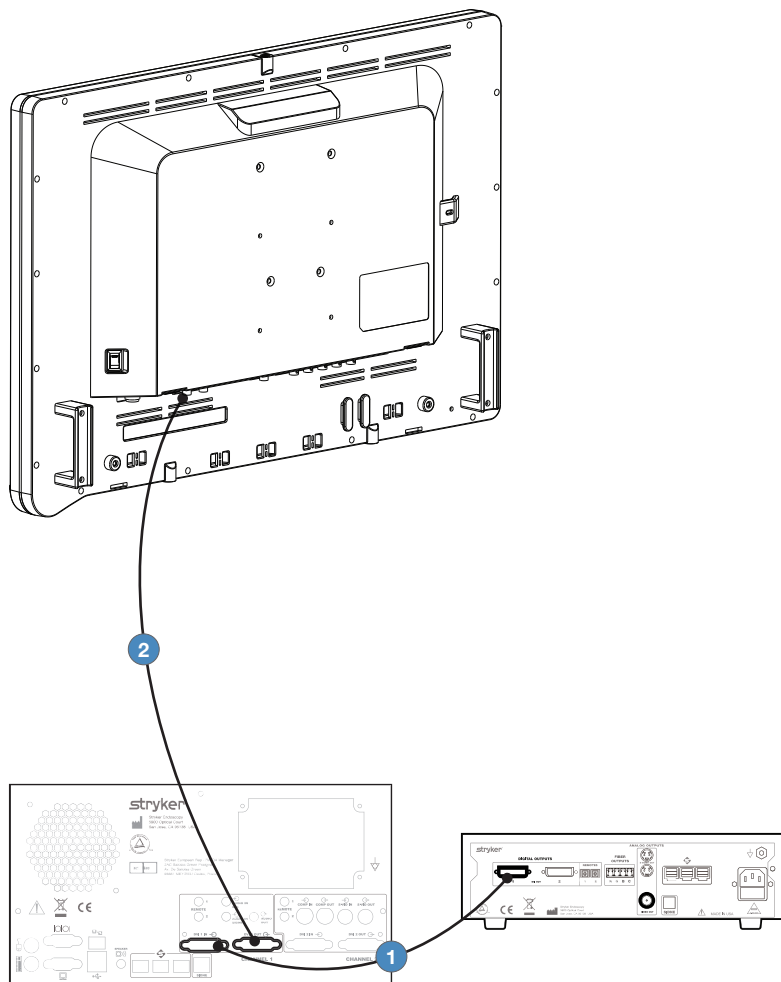
Branchement de l'alimentation électrique



1. Raccorder l'alimentation électrique à l'entrée 24 V de l'écran.
2. Raccorder le cordon d'alimentation CA à l'alimentation électrique*.
3. Raccorder l'alimentation CA à l'aide du cordon d'alimentation de qualité hospitalière fourni.
4. (En option, non illustré) Raccorder une rallonge entre l'alimentation électrique et l'écran.
5. Mettre en place le protège-câbles.

* Informations sur l'alimentation : Numéro de modèle : BPM150S24F11, fabricant : Bridgepower Corp.

Installation vidéo de base



1. Raccorder la sortie vidéo 1 de la caméra à l'entrée DVI du SDC.
2. Raccorder la sortie vidéo 1 de la sortie DVI du SDC à l'entrée DVI sur l'écran.

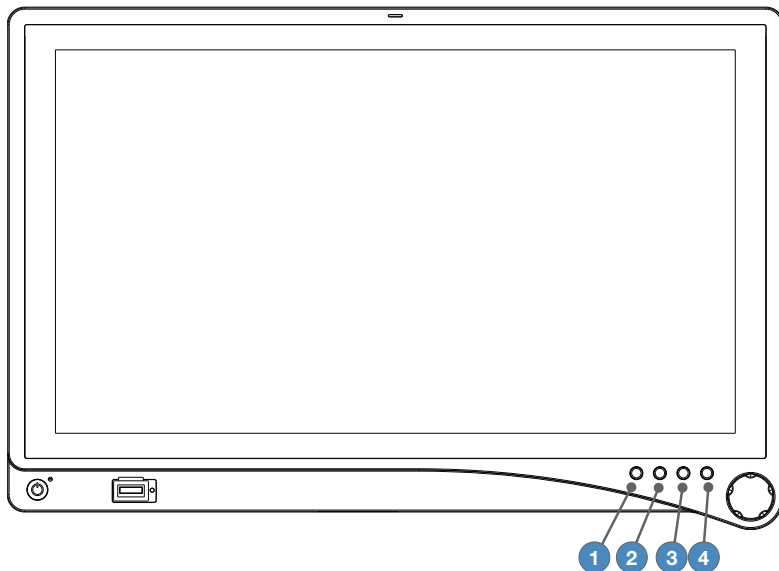
Remarque : Stryker recommande une connexion de sauvegarde à la caméra.

Fonctionnement

Pour commander l'écran, il suffit d'utiliser la commande à rotation et les quatre boutons situés sur le panneau avant. La liste des commandes de l'écran et leur fonction est décrite ci-dessous.

Affichage sur écran (OSD)

Accès à l'affichage sur écran



Pour utiliser les quatre boutons situés sur le panneau avant :

1. **Audio/PIP (écran LED sans fil VisionPro SYNK 26") :**
 - Appuyer deux fois pour activer le mode d'image (incrustation d'image, image par image, superposition d'image)
2. **PIP (Écran LED VisionPro 26") :**
 - Appuyer pour activer le mode d'image (incrustation d'image, image par image, superposition d'image)
3. **Luminosité :** permet d'activer le menu de réglage de la luminosité.
4. **Spécialité :** permet d'activer le menu de réglage de la spécialité.
5. **Entrée :** permet d'activer le menu de sélection d'entrée.

Utiliser la commande à rotation pour naviguer dans les menus une fois qu'ils sont activés :

- **Enfoncer :** ouvre/sélectionne le menu d'affichage sur écran.
- **Tourner vers la droite/gauche :** lorsque le menu d'affichage sur écran est activé, augmente/réduit la valeur du paramètre sélectionné.
- **Maintenir enfoncé :** quitte le menu d'affichage sur écran.

Utilisation de l'affichage sur écran

L'affichage sur écran facilite la navigation entre les différents menus de l'appareil.

1. Appuyer sur la **commande à rotation** pour activer le menu de l'affichage sur écran.
2. Faire tourner la **commande à rotation** pour se déplacer vers le haut ou le bas du menu. Le paramètre est mis en surbrillance lorsqu'il est sélectionné.
3. Appuyer sur la **commande à rotation** pour accéder au niveau suivant de l'affichage sur écran.
4. Faire tourner la **commande à rotation** pour augmenter ou réduire la valeur du paramètre sélectionné ou pour effectuer une sélection parmi les différentes options.
5. Pour quitter l'écran de menu de l'affichage sur écran de deuxième ou de troisième niveau, sélectionner l'option Exit (Quitter) . Pour quitter complètement l'affichage sur écran, appuyer sur la **commande à rotation** et la maintenir enfoncée. Si aucune touche n'est actionnée pendant un certain temps, l'affichage sur écran est fermé automatiquement lorsque s'écoule le délai prédéfini en usine (ce délai peut être personnalisé).

Menus de l'affichage sur écran

Speciality (Spécialité)

| Option du menu | Description | Plage |
|--|--|------------------------|
| Color Temperature (Température de couleur)* | Permet de choisir une température de couleur pour les réglages Lap A, Lap B, Arthro A, Arthro B, Standard, PACS, NORM, ENT et GYN. | — |
| Red (Rouge) | Équilibrage des rouges | -128 – 127 |
| Green (Vert) | Équilibrage des verts | -128 – 127 |
| Blue (Bleu) | Équilibrage des bleus | -128 – 127 |
| Gamma | Valeur gamma | 0,1 – 2,5 ; S0, S1, S2 |

* L'ajustement RVB de la température de couleur est seulement disponible pour les réglages Standard, Arth et Lap. L'ajustement des réglages PACS et Norm est uniquement disponible sous l'entrée SOG.

Audio (menu non actif à ce jour)

Brightness Settings (Réglages de la luminosité)

| Option du menu | Description | Plage |
|--|--|---------|
| Brightness (Luminosité) | Augmente ou diminue la luminosité | 0 – 100 |
| Contrast (Contraste) | Augmente ou diminue le contraste | 0 – 100 |
| Phase** | Augmente ou diminue le niveau de phase | 0 – 100 |
| Chroma** | Augmente ou diminue le niveau de chroma | 0 – 100 |
| Image Sharpness (Netteté de l'image) | Définit la netteté de l'image | 1 – 10 |
| Video Sharpness (Netteté de la vidéo)** | Augmente ou diminue la netteté de la vidéo | 0 – 100 |

** Uniquement disponible sous l'entrée SDI, S-Vidéo ou C-Vidéo.

Image Effect (Effet d'image)

| Option du menu | Description |
|------------------------------------|---|
| Scale Mode (Mode d'échelle) | Permet de choisir entre les modes d'échelle Fill All (Ajuster tout), V-Fill (Ajustement vertical), H-Fill (Ajustement horizontal), One To One (Un-un) et Fill-Aspect (Ajuster à l'aspect) |
| Freeze Frame (Gel d'image) | Active ou désactive le gel d'image |
| PIP | Active la fonction PIP (Picture In Picture – Incrustation d'image) |

| Option du menu | Description |
|----------------|---|
| POP | Active la fonction POP (Picture On Picture – Superposition d’image) |
| PBP | Active la fonction PBP (Picture By Picture – Image par image) |

Advanced Settings (Réglages avancés)

| Option du menu | Description |
|---|---|
| Key Lock (Mode verrou) | Mode verrou enclenché : désactive toutes les fonctions clés. Appuyer sur le bouton de rotation et le maintenir enfoncé pour arrêter le mode verrou. |
| Auto Source Select (Sélection de source automatique) | Explore les entrées jusqu’à la détection d’une source vidéo active. La fonction Auto Source Select (Sélection de source automatique) est désactivée en mode PIP/POP/PBP. |
| Sleep Timer (Mise en veille) | On (Activé) : l’écran entre en mode veille si aucune source vidéo active n’est détectée. |
| | Off (Désactivé) : l’écran n’entre pas en mode veille. |
| | Timer (Minuterie) : régler la minuterie jusqu’à ce que l’écran entre en mode veille si aucune source vidéo active n’est détectée. |
| OSD Control (Contrôle OSD) | Permet de contrôler à l’écran l’arrière-plan, le délai d’expiration et la position du menu OSD |
| Restore Factory Settings (Rétablir les réglages d’usine) | Permet de définir les réglages d’usine par défaut |
| Screen Control (Contrôle de l’écran) | VGA <ul style="list-style-type: none"> • Horizontal • Vertical • Phase • Fréquence |
| | S-Vidéo, C-Vidéo, SOG, RVB, élément <ul style="list-style-type: none"> • Horizontal • Vertical |

SYNK (pour l’écran LED sans fil VisionPro SYNK 26’)

| Status (Statut) | Description |
|---|-------------|
| RX APP : XX.XX.XX RX MAC : XX.XX.XX.XX | Récepteur |
| TX APP : XX.XX.XX TX MAC : XX.XX.XX.XX | Émetteur |
| LOGICIEL WIFI : XXX-X.XX SIGNAL = Excellent, Bon, Mauvais Région par défaut : XXX FRÉQ. : XXXX MHz | Émetteur |

Informations

| Option du menu | Description |
|--|---|
| User Name Entry (Saisie du nom d'utilisateur) | Permet de saisir un nom d'utilisateur personnalisé pour l'afficher au démarrage |
| Serial Number (Numéro de série) | Affiche le numéro de série de l'écran |
| Runtime (Temps d'exécution) | Affiche le temps de fonctionnement total de l'écran |
| Input Format (Format d'entrée) | Affiche le format d'entrée actuel |

Remarque : les valeurs d'affichage sur écran réelles peuvent varier selon les versions de mise à jour du microprogramme et les réglages de l'utilisateur.

Dépannage

Avant de renvoyer l'écran au service technique, consulter la liste de dépannage ci-dessous :

| Problème | État actuel | Solution | |
|---|--|--|--|
| Absence d'image | DEL d'alimentation allumée | À l'aide du menu de l'affichage sur écran, régler la luminosité et le contraste sur les valeurs maximales ou rétablir leurs réglages par défaut. | |
| | DEL d'alimentation éteinte | Vérifier que les interrupteurs d'alimentation à l'avant et à l'arrière de l'écran sont activés. | |
| | | Vérifier que le cordon d'alimentation CA est correctement branché à l'adaptateur secteur CA et à la prise secteur. | |
| | | Vérifier que l'alimentation électrique est entièrement raccordée et qu'elle fonctionne correctement. | |
| DEL d'alimentation clignotante | Rouge | L'écran est en mode veille. Appuyer sur n'importe quelle touche pour réactiver l'écran. | |
| | Orange | L'alimentation électrique peut être en surtension ou subir une coupure de courant. | |
| Image anormale | Vidéo trop large ou trop petite, absente ou décentrée. | À l'aide du menu de contrôle de l'écran, régler les paramètres Phase, Fréquence, Horizontal et Vertical de manière à corriger l'image affichée. | |
| | | Corriger les réglages dans le mode d'échelle. | |
| | | Pour l'entrée VGA uniquement : maintenir enfoncée la commande à rotation pendant 1 – 2 secondes pour synchroniser à nouveau l'exécution de la vidéo. | |
| | | Patienter quelques secondes après la synchronisation initiale des signaux vidéo ou redémarrer l'écran. | |
| Message d'erreur OSD | « Hors plage » | Vérifier qu'une source vidéo appropriée est connectée. | |
| Le voyant lumineux de la clé clignote en orange | Erreur | Contacter l'assistance technique. | |

Nettoyage et maintenance



Avertissement

Pour éviter les chocs électriques et les blessures potentiellement mortelles, débrancher l'écran et l'alimentation électrique de la prise électrique avant le nettoyage.

Mise en garde

- Ne pas vaporiser le liquide directement sur l'écran ou l'alimentation électrique sous peine de les endommager. Vaporiser le produit sur un chiffon avant d'essuyer l'appareil.
- Ne pas immerger l'écran ou l'alimentation électrique dans un liquide sous peine de les endommager.
- Ne pas utiliser de solutions de nettoyage corrosives pour nettoyer l'écran ou l'alimentation électrique sous peine de les endommager.
- Ne pas stériliser l'écran ou l'alimentation électrique sous peine de les endommager.

Nettoyage

Pour nettoyer l'écran ou l'alimentation électrique :

1. Si la protection d'écran est en place, retirer la protection avant de procéder au nettoyage.
2. **Pour l'écran LED sans fil VisionPro SYNK 26"** : S'assurer de bien placer le capuchon sur la fente de la clé avant le nettoyage.
3. Appliquer un désinfectant standard ou un détergent doux sur un chiffon sec stérile.
4. Essuyer l'écran ou l'alimentation électrique.
5. Agir avec un soin particulier lors du nettoyage de l'écran. Toute pénétration de liquide par le bas de l'écran ou par la prise du câble d'alimentation secteur peut endommager l'appareil.

Inspection

Toujours inspecter le produit avant utilisation. Voir la section Dépannage de ce document. Si l'une des conditions suivantes est présente. Si les performances du produit demeurent non satisfaisantes, cesser de l'utiliser et contacter le représentant Stryker.

- Absence d'image, image anormale ou qualité inacceptable de l'image
- Mise sous tension impossible
- Fonctionnalité d'un bouton et/ou d'une touche inappropriée ou ne répondant pas
- Dommages physiques importants de l'écran ou des accessoires, notamment une clarté inacceptable de l'écran, un revêtement endommagé, de la corrosion, des bruits anormaux, des déchirures du câble, un câblage exposé et/ou des dommages empêchant un montage sécurisé
- Clignotement en orange de la DEL d'alimentation

Durée de vie utile prévue

La durée de vie utile du dispositif et de ses accessoires est largement déterminée par l'usure, les méthodes de nettoyage et les dommages liés à son utilisation. Pour prolonger l'intervalle entre les réparations du dispositif, toujours suivre les instructions d'entretien et de manipulation figurant dans ce manuel d'utilisation et dans celui des accessoires.

Mise au rebut



Conformément à la directive européenne 2012/19/UE relative aux déchets d'équipements électriques et électroniques (DEEE) telle que modifiée, le produit et ses accessoires doivent être collectés séparément pour être recyclés. Ne pas mettre au rebut avec les déchets ménagers ordinaires. Contacter le distributeur local pour obtenir des informations sur l'élimination. S'assurer que les équipements infectés sont nettoyés conformément à la section Nettoyage de ce manuel et de celui des accessoires avant de les transférer pour recyclage.

Mettre au rebut tout accessoire du système conformément aux pratiques institutionnelles habituelles relatives aux objets potentiellement contaminés.

Signalement des événements indésirables

Tout incident grave survenant en rapport avec ce dispositif doit être signalé à Stryker et, dans l'Union européenne, à l'autorité compétente de l'État membre dans lequel réside la personne concernée.

Caractéristiques techniques

Écran

| | |
|---|--|
| Écran LCD | 26" (661 mm) en diagonale (LCD à matrice active TFT a-Si) |
| Synchronisation | Synchronisation séparée 2,5 – 5,0 Vpp |
| Pas de pixel | 0,300 (H) x 0,300 (V) mm |
| Temps de réponse | < 18 ms standard |
| Angle de visualisation | Droite/Gauche/Haut/Bas 89 degrés |
| Palette de couleurs | 1 milliard de couleurs (10 bit) |
| Résolution native | 1920 points (H) x 1080 lignes (V) |
| Signaux de l'écran LED VisionPro 26" | DVI, VGA, 3G/HD/SD-SDI (entrée/sortie), C-Vidéo/SOG, S-Vidéo, composant/RVB (Y/G, Pb/B, Pr/R, HS, VS), RS232 |
| Signaux de l'écran LED sans fil VisionPro SYNK 26" | Numérique sans fil RVB, DVI, S-Vidéo, C-Vidéo/SOG, RS232 et USB |
| Fréquence d'horloge de pixel maximale | 165 MHz |

Alimentation électrique

| | |
|--|---|
| Adaptateur secteur | Entrée : 100 – 240 V CA ; 50 – 60 Hz ; 2,5 A (2,5A - 1,5A) Sortie : 24 V CC ; 6,25 A (150 W max.) Numéro de modèle : BPM150S24F11 |
| Consommation électrique (approximative) | 35 à 65 W |

Courant/Tension nominale

Vérifier que le cordon d'alimentation est conforme aux réglementations et normes en vigueur dans la région.

| | |
|---|--|
| Prises d'alimentation 110 V +/- 10 V | Sélectionner un cordon d'alimentation homologué UL et certifié par le C.S.A, de type SJT ou SVT, à 3 conducteurs, 18 AWG, qui se termine dans un bouchon de prise de qualité hospitalière moulé, de 110 V +/- 10 V, 15 A, et d'une longueur minimale de 1,8 mètre. |
| Prises d'alimentation 220 V +/- 20 V | Sélectionner un cordon d'alimentation harmonisé aux normes internationales et portant la marque « <HAR> », à 3 conducteurs, avec un fil de 0,75 mm ² au minimum, de 220 V +/- 20 V, 10 A et doté d'une gaine en PVC isolée. Ce cordon doit avoir un bouchon de prise moulé de 220 V +/- 20 V et 10 A. Le cordon et le bouchon de prise doivent être conformes aux normes médicales. |

Dimensions

| | |
|--------------------------------------|-----------------------|
| Dimensions (l × H × P) | 660,4 × 442 × 86,4 mm |
| Poids (approximatif) | 8,3 kg |
| Interface de montage VESA | VESA 100 × 100 mm |

Conditions d'utilisation

| | |
|--------------------------------------|------------|
| Plage de températures | 10 – 40 °C |
| Plage d'humidité relative | 25 – 75 % |

Conditions de transport et de stockage

| | |
|--------------------------------------|-------------|
| Plage de températures | -18 – 60 °C |
| Plage d'humidité relative | 15 – 90 % |

Classification et agréments

Matériel de classe 1

Équipement médical en ce qui concerne les risques d'électrocution, d'incendie et d'accidents mécaniques uniquement conforme aux normes UL 60601-1 et CAN/CSA C22.2 N° 601.1.

IP23 : protection contre l'accès aux pièces dangereuses par les doigts ou des objets similaires, protection contre la vaporisation d'eau (à moins de 60° par rapport à la verticale)

Fonctionnement continu

Conformité

Règlements de la FCC

Écran LED VisionPro 26" :

FCC Partie 15 Classe B

Numéro d'identification FCC : QVXAMM261WTDS

Écran LED sans fil VisionPro SYNK 26" :

FCC Partie 15 Classe B

Numéro d'identification FCC : QVXAMM261WTDSW

FCC partie 15, classe C

Numéro d'identification FCC : SSH-SYNKRX (carte du récepteur)

Numéro d'identification FCC : SSH-SDMAN (carte des accessoires)

Règlements de l'IC

Écran LED sans fil VisionPro SYNK 26" :

IC : 4919C-SYNKRX (carte du récepteur)

IC : 4919C-SDMAN (carte des accessoires)

Remarque : pour plus d'informations sur les modifications et les nouveaux produits, contacter le représentant local de Stryker Endoscopy.

Compatibilité électromagnétique

Comme tout équipement médical électrique, l'écran LED VisionPro 26" et l'écran LED sans fil VisionPro SYNK 26" requièrent des précautions particulières en matière de compatibilité électromagnétique avec les autres appareils médicaux électriques. Pour garantir la compatibilité électromagnétique (CEM), l'écran doit être installé et utilisé conformément aux informations de CEM présentées dans ce manuel. L'écran a été conçu et testé pour être conforme aux directives CEI 60601-1-2 en matière de CEM avec d'autres appareils.

Remarque : cet équipement est destiné à être utilisé dans un environnement médical professionnel. Il ne doit pas être utilisé dans le local à blindage RF d'un système électrique médical pour imagerie par résonance magnétique, où l'intensité des perturbations électromagnétiques est élevée.

Remarque : il est peu probable que cet équipement soit sensible aux interférences provenant des instruments chirurgicaux HF en environnement spécial en raison de sa proximité avec un instrument chirurgical HF actif. En cas d'interférence chirurgicale HF, modifier la distance de séparation de l'équipement.



Avertissement

Lorsque cet appareil est connecté à d'autres appareils électriques, des courants de fuite peuvent s'additionner. Pour minimiser le courant de fuite total par patient, vérifier que tous les systèmes sont installés conformément à la norme CEI 60601-1-1.

Mise en garde

Des appareils de communication RF portables et mobiles peuvent interférer avec le bon fonctionnement de l'écran.
Ne pas utiliser de câbles ni d'accessoires autres que ceux fournis avec l'écran, sous peine d'augmenter les émissions électromagnétiques et de réduire la protection contre ces émissions.
Si l'écran est utilisé à proximité ou empilé sur d'autres appareils, vérifier qu'il fonctionne dans la configuration dans laquelle il va être utilisé avant d'entamer une intervention chirurgicale. Consulter les tableaux ci-dessous pour savoir comment positionner l'écran.


| Directives et déclaration du fabricant : émissions électromagnétiques | | |
|--|------------|--|
| L'écran LED VisionPro 26" et l'écran LED sans fil VisionPro SYNK 26" sont destinés à être utilisés dans l'environnement électromagnétique décrit ci-dessous. L'acheteur ou l'utilisateur de l'écran doit s'assurer que les conditions d'utilisation de l'appareil sont conformes à un tel environnement. | | |
| Test d'émission | Conformité | Environnement électromagnétique - Directives |
| Émissions RF CISPR 11 | Groupe 1 | Ces écrans utilisent l'énergie RF uniquement pour leur fonctionnement interne ; leurs émissions RF sont donc très faibles et ne sont pas susceptibles d'interférer avec les équipements électroniques proches. |
| Émissions RF CISPR 11 | Classe B | L'utilisation de ces écrans convient à tous les types d'établissements autres que les établissements publics et ceux desservis directement par le réseau public de distribution d'électricité à basse tension qui alimente les bâtiments à usage public, sous réserve que l'avertissement suivant soit pris en compte : Avertissement : l'usage de ce système est strictement réservé aux professionnels de la santé. Ce système peut causer des interférences radio ou perturber le fonctionnement des équipements qui se trouvent à proximité. Des mesures d'atténuation peuvent s'avérer nécessaires, notamment la réorientation ou le repositionnement du système, voire le blindage du site d'utilisation. |
| Émissions harmoniques CEI 61000-3-2 | Classe D | |
| Fluctuations de tension/émissions discontinues CEI 61000-3-3 | Conforme | |

| Directives et déclaration du fabricant – Immunité électromagnétique | | | |
|--|--|---|--|
| L'écran LED VisionPro 26" et l'écran LED sans fil VisionPro SYNK 26" sont destinés à être utilisés dans l'environnement électromagnétique décrit ci-dessous. L'acheteur ou l'utilisateur de l'écran doit s'assurer que les conditions d'utilisation de l'appareil sont conformes à un tel environnement. | | | |
| Test d'immunité | Niveau de test CEI 60601 | Niveau de conformité | Environnement électromagnétique – directives |
| Décharge électrostatique (DES) CEI 61000-4-2 | ± 8 kV au contact ± 15 kV dans l'air | ± 8 kV au contact ± 15 kV dans l'air | Les sols doivent être en bois, en béton ou en carreaux de céramique. Si les sols sont recouverts de matériaux synthétiques, l'humidité relative doit être d'au moins 30 %. |
| Rafale/Courant transitoire électrique rapide CEI 61000-4-4 | ± 2 kV pour les lignes d'alimentation ± 1 kV pour les lignes d'entrée/sortie (le cas échéant) | Ligne à la terre : ± 2 kV Ligne à ligne : ± 1 kV (le cas échéant) | La qualité de l'alimentation secteur doit être celle d'un environnement commercial ou hospitalier type. |
| Sur-tension CEI 61000-4-5 | Mode différentiel ± 1 kV Mode commun ± 2 kV | Mode différentiel ± 1 kV Mode commun ± 2 kV | La qualité de l'alimentation secteur doit être celle d'un environnement commercial ou hospitalier type |
| Chutes de tension, courtes interruptions et variations de tension sur la ligne d'alimentation entrante CEI 61000-4-11 | 0 % U_T , 0,5 cycle 0 % U_T , 1 cycle 70 % U_T , 25 cycles 0 % U_T , 5 s | 0 % U_T , 0,5 cycle 0 % U_T , 1 cycle 70 % U_T , 25 cycles 0 % U_T , 5 s | La qualité de l'alimentation secteur doit être celle d'un environnement commercial ou hospitalier type. Si l'utilisateur de l'émetteur doit poursuivre ses opérations pendant des interruptions de l'alimentation principale, il est recommandé d'alimenter l'appareil avec une source de courant sans interruption ou une batterie. |
| Champ magnétique lié à la fréquence du courant (50/60 Hz) CEI 61000-4-8 | 30 A/m | 30 A/m | Le niveau des champs magnétiques à la fréquence du réseau doit être celui d'un environnement commercial ou hospitalier type. |
| Remarque : U_T est la tension principale en CA avant l'application du niveau de test. | | | |

Directives et déclaration du fabricant : immunité électromagnétique

L'écran LED VisionPro 26" et l'écran LED sans fil VisionPro SYNK 26" sont destinés à être utilisés dans l'environnement électromagnétique décrit ci-dessous.

L'acheteur ou l'utilisateur de l'écran doit s'assurer que les conditions d'utilisation de l'appareil sont conformes à un tel environnement.

| Test d'immunité | Niveau de test CEI 60601 | Niveau de conformité | Environnement électromagnétique – directives |
|--------------------------------|----------------------------|----------------------|--|
| Conduction RF CEI 61000-4-6 | 3 Vrms 150 kHz à 80 MHz | 3 V | Les équipements de communication RF portables et mobiles ne doivent pas être utilisés à proximité des écrans, y compris de leurs câbles, à une distance inférieure à la distance de séparation recommandée, calculée à partir de l'équation applicable à la fréquence de l'émetteur. Distance de séparation recommandée : $d = 2\sqrt{P}$ 80 MHz à 2,7 GHz où P est la puissance nominale de sortie maximale de l'émetteur exprimée en watts (W) selon le fabricant de l'émetteur, et d est la distance de séparation recommandée exprimée en mètres (m). L'intensité des champs des émetteurs RF fixes, déterminée par une surveillance électromagnétique du site (a), doit être inférieure au niveau de conformité dans chaque gamme de fréquences (b). Des interférences peuvent se produire à proximité d'équipements marqués du symbole suivant :  |
| RF rayonnées CEI 61000-4-3 | 10 V/m 80 MHz à 2,7 GHz | 10 V/m | |

(a) Les forces de champ émanant d'émetteurs fixes, tels que les émetteurs de station de base pour radiotéléphone (cellulaire/sans fil), radios mobiles terrestres, installation radio amateur, émission de radio AM et FM et stations de télévision ne peuvent pas être estimées avec précision par la théorie. Pour évaluer l'environnement électromagnétique causé par des émetteurs RF fixes, une étude électromagnétique du site doit être envisagée. Si l'intensité de champ mesurée à l'emplacement où est utilisé l'écran LED VisionPro 26" ou l'écran LED sans fil VisionPro SYNK 26" est supérieure au niveau de conformité RF applicable indiqué ci-dessus, le bon fonctionnement de l'écran et de l'émetteur doit être vérifié. Si un fonctionnement anormal est observé, des mesures supplémentaires pourraient être nécessaires, comme la réorientation ou le déplacement de l'écran.

(b) Dans la plage de fréquences de 150 kHz à 80 MHz, les intensités de champ doivent être inférieures à 3 V/m.

| Caractéristiques testées d'immunité aux équipements de communication sans fil RF | | | | | | |
|---|-------------|---|-------------------------------------|------------------------|--------------|---------------------------------|
| Fréquence de test (MHz) | Bande (MHz) | Interventions techniques | Modulation | Puissance maximale (W) | Distance (m) | Niveau de test d'immunité (V/m) |
| 385 | 380-390 | TETRA 400 | Modulation d'impulsions 18 Hz | 1,8 | 0,3 | 27 |
| 450 | 430-470 | GMRS 460, FRS 460 | FM écart \pm 5 kHz 1 kHz sinus | 2 | 0,3 | 28 |
| 710 | 704 à 787 | LTE bandes 13 et 17 | Modulation d'impulsions 217 Hz | 0,2 | 0,3 | 9 |
| 745 | | | | | | |
| 780 | | | | | | |
| 810 | 800-960 | GSM 800/900, TETRA 800, iDEN 820, CDMA 850, Bande LTE 5 | Modulation d'impulsions 18 Hz | 2 | 0,3 | 28 |
| 870 | | | | | | |
| 930 | | | | | | |
| 1720 | 1 700-1990 | GSM 1800 ; CDMA 1900 ; GSM 1900 ; DECT ; Bandes LTE 1 et 3 4, 25 ; UMTS | Modulation d'impulsions 217 Hz | 2 | 0,3 | 28 |
| 1845 | | | | | | |
| 1970 | | | | | | |
| 2450 | 2 400-2570 | Bluetooth, WLAN, 802.11 b/g/n, RFID 2450, Bande LTE 7 | Modulation d'impulsions 217 Hz | 2 | 0,3 | 28 |
| 5240 | 5 100-5800 | WLAN 802.11 a/n | Modulation d'impulsions 217 Hz | 0,2 | 0,3 | 9 |
| 5500 | | | | | | |
| 5785 | | | | | | |
| Remarque : l'équipement de communication RF portable doit être utilisé à 30 cm au moins de l'écran LED VisionPro 26" et l'écran LED sans fil VisionPro SYNK 26", sans quoi ses performances risquent d'être réduites. | | | | | | |
| Stryker déclare par la présente que l'écran LED sans fil VisionPro SYNK 26" est conforme aux exigences essentielles et autres dispositions pertinentes de la Directive 1999/5/EC. Une copie de la déclaration de conformité peut être obtenue auprès de Stryker Endoscopy, 5900 Optical Court, San Jose, CA, 95138, États-Unis. | | | | | | |

Symboles et définitions

Les symboles suivants apparaissent sur le produit, sur son étiquetage ou sur son emballage.

Chaque symbole correspond à une définition particulière présentée ci-dessous :



Consulter le mode d'emploi



Attention : Voir les instructions d'utilisation



Numéro de série



Quantité



Plage de températures



Plage d'humidité



Représentant autorisé en Europe



Pays d'origine



Référence catalogue



Courant continu



Date de fabrication



Fabricant légal



Testé conformément aux normes FCC de Classe B et C



Transmission sans fil



Conformément à la loi fédérale américaine, ce dispositif ne peut être vendu que par un médecin ou sur prescription médicale.



Ce dispositif respecte les exigences de l'Union européenne concernant les dispositifs médicaux.



Code de recyclage de l'appareil (applicable en Chine)



Marque de certification obligatoire en Chine

IP23

Le boîtier protège contre :

- l'accès aux pièces dangereuses par les doigts ou des objets similaires
- la vaporisation d'eau (à moins de 60° par rapport à la verticale)



Conforme aux exigences de la réglementation australienne



Le matériel médical est conforme aux normes AAMI ES60601-1 et CSA C22.2 N° 60601-1-08-CAN/CSA concernant les risques d'électrocution, d'incendie et d'accidents mécaniques



Ce produit comprend des composants électriques ou électroniques. Il ne doit pas être mis au rebut en tant que déchet ménager ordinaire mais doit être collecté séparément.



Dispositif médical dans l'Union européenne

Inhaltsverzeichnis

| | |
|--|-------|
| Warnhinweise und Vorsichtsmaßnahmen | DE-61 |
| Informationen zum Gerät | DE-64 |
| Verwendungszweck und Indikationen | DE-65 |
| Kontraindikationen | DE-65 |
| Verpackungsinhalt..... | DE-66 |
| Geräteeigenschaften | DE-67 |
| Einrichtung | DE-72 |
| Anschlüsse..... | DE-72 |
| Grundlagen der Video-Einrichtung | DE-74 |
| Betrieb | DE-75 |
| Bildschirmanzeige (On-Screen Display/OSD) | DE-75 |
| OSD-Menüs | DE-77 |
| Fehlerbehebung..... | DE-80 |
| Reinigung und Wartung | DE-81 |
| Technische Daten | DE-83 |
| Elektromagnetische Verträglichkeit | DE-85 |
| Symbole und Definitionen | DE-89 |

Warnhinweise und Vorsichtsmaßnahmen

Dieses Handbuch sorgfältig durchlesen und genau an die darin enthaltenen Anweisungen halten. Die Wörter „Warnhinweis“, „Vorsicht“ und „Hinweis“ kennzeichnen wichtige Stellen dieses Handbuchs, die besonders zu beachten sind:

Warnhinweis: Gibt Maßnahmen an, mit denen ernsthafte Verletzungen des Anwenders vermieden werden können.

Vorsicht: Macht auf Gefahren für die Geräte aufmerksam. Eine Nichtbeachtung der Vorsichtshinweise kann eine Beschädigung des Produkts verursachen.

Hinweis: Enthält besondere Informationen zur Erläuterung von Anweisungen oder weitere hilfreiche Informationen.

Warnhinweise

Um ernsthafte Verletzungen des Anwenders und des Patienten zu vermeiden, sind folgende Warnhinweise zu beachten:

1. Lesen Sie vor dem Einsatz dieses Geräts das Handbuch gründlich durch, und machen Sie sich mit dem Inhalt vertraut.
2. Die Gesetzgebung der USA schreibt vor, dass dieses Gerät nur von einem Arzt oder auf ärztliche Anordnung hin verkauft werden darf.
3. Das Gerät vorsichtig auspacken und auf eventuelle Versandschäden überprüfen.
4. Dieses Gerät ist nicht steril und sollte daher nicht im Sterilbereich aufgestellt werden.
5. Das Gerät oder andere schwere Gegenstände nicht auf das Netzkabel stellen. Ein beschädigtes Kabel kann einen Brand oder Stromschlag verursachen.
6. Die Einfassung nicht abnehmen, da ansonsten Stromschlaggefahr besteht.
7. Dieses Gerät sollte nicht neben oder gestapelt mit anderen Geräten verwendet werden. Wenn es erforderlich ist, das Gerät neben oder gestapelt mit anderen Geräten zu verwenden, sollte es überwacht werden, um einen einwandfreien Betrieb in der vorgesehenen Konfiguration sicherzustellen.
8. Das Gerät vor einem chirurgischen Eingriff testen. Dieses Gerät wurde vor dem Versand im Werk vollständig geprüft.
9. Keine Reparaturen oder Einstellungen an internen Komponenten vornehmen, die nicht ausdrücklich in diesem Handbuch beschrieben sind. Sicherstellen, dass Nachjustierungen, Modifikationen und/oder Reparaturen ausschließlich von Fachpersonal durchgeführt werden, das von Stryker Endoscopy dazu autorisiert wurde.
10. Keine Fremdkörper in das Bedienfeld eindringen lassen. Falls dies geschieht, das Gerät ausstecken und es vor einer weiteren Verwendung durch qualifiziertes Fachpersonal überprüfen lassen.
11. Einen Kontakt des Geräts mit Flüssigkeiten vermeiden, falls das Gerät an die Stromversorgung angeschlossen ist und in der Nähe eines Patienten verwendet wird.
12. Wenn mit diesem Gerät andere als die hier angegebenen Kabel und/oder sonstigen Zubehörteile verwendet werden, kann dies zu erhöhten Emissionen und verringerter Sicherheit des Geräts führen.

Vorsichtsmaßnahmen

1. Das Gerät an ein Netzteil anschließen, das mit einem für Krankenhauszwecke geeigneten Stromkabel verbunden ist. Um einen zuverlässigen Erdanschluss sicherzustellen, das Stromkabel in eine geerdete Steckdose einstecken.
2. Das Gerät nicht sterilisieren, da bei diesem Verfahren die empfindliche Elektronik beschädigt wird.
3. Für den Monitor für chirurgische Verfahren nur das mitgelieferte Netzteil verwenden. Die Verbindung zwischen dem Gleichstromkabel und dem Verlängerungskabel vollständig sichern.
4. Das Gerät nicht unmittelbar nach dem Transport von einem kalten an einen warmen Ort in Betrieb nehmen.
5. Gemäß den Anweisungen im Abschnitt „Technische Daten“ dieses Handbuchs zum Anschließen des Geräts an ein ausländisches Stromnetz einen für die jeweilige Steckdose geeigneten Steckeradapter verwenden.
6. Das Gerät vom Stromnetz trennen, wenn es über einen längeren Zeitraum hinweg nicht benutzt wird. Zu diesem Zweck erst den Stecker lösen und dann das Kabel am Stecker herausziehen. Niemals am Kabel selbst ziehen.
7. Das Gerät keiner Feuchtigkeit aussetzen und keine flüssigen Reinigungsmittel direkt auf den Bildschirm sprühen. Ein weiches Tuch mit dem Reinigungsmittel anfeuchten und den Bildschirm vorsichtig abwischen. Weitere Informationen finden Sie im Abschnitt „Reinigung und Wartung“ dieses Handbuchs.
8. Durch ausreichende Luftzufuhr eine interne Überhitzung verhindern. Das Gerät nicht auf weichen Oberflächen (Tüchern, Decken usw.) und nicht in der Nähe von Textilien (Vorhängen usw.) aufstellen, die die Entlüftungsöffnungen blockieren können. Das Gerät wird durch den natürlichen Luftaustausch gekühlt und verfügt über keine mechanische Ventilation.
9. Den Patienten nicht mit einem Signaleingangs- oder Signalausgangsstecker berühren. Geräte mit SIP/SOP-Steckern sollten entweder dem harmonisierten IEC-Standard 60601-1 und/oder 60601-1-1 entsprechen oder einer speziellen Sicherheitsprüfung unterzogen werden.
10. Zur Gewährleistung der elektromagnetischen Verträglichkeit lesen Sie den Abschnitt „Elektromagnetische Verträglichkeit“ dieses Handbuchs. Der LED-Monitor VisionPro 26“ (0240-031-020) und der drahtlose LED-Monitor VisionPro SYNK 26“ (0240-031-000) müssen entsprechend den EMV-Hinweisen in diesem Handbuch installiert und betrieben werden.
11. Beachten Sie genau die Reinigungsanweisungen in diesem Handbuch. Eine Abweichung von den Anweisungen kann zu Beschädigungen führen.
12. Das Gerät keiner direkten Sonneneinstrahlung, keinem Staub und keinen Vibrationen oder Stößen aussetzen.
13. Das Gerät nur so positionieren, dass das Stromkabel ohne Probleme von der Netzsteckdose getrennt werden kann.
14. Das Gerät niemals mit nach unten gerichtetem Glasbildschirm betreiben.

15. Das Gerät mit Vorsicht behandeln. Den Bildschirm nicht stoßen oder verkratzen.
16. Änderungen oder Modifizierungen, die nicht ausdrücklich von der für die Konformität zuständigen Stelle genehmigt sind, könnten zum Erlöschen der Betriebserlaubnis des Benutzers für das Gerät führen.
17. **Hinweis:** Dieses Gerät wurde im Hinblick auf die Grenzwerte für Digitalgeräte der Klasse B gemäß Teil 15 der Regeln der US-amerikanischen Funkaufsichtsbehörde FCC geprüft und als konform befunden. Diese Grenzwerte sollen beim Einsatz des Geräts in Wohngebieten einen angemessenen Schutz gegen unerwünschte Störeinflüsse bieten. Dieses Gerät erzeugt, nutzt und emittiert evtl. HF-Energie und kann bei nicht anweisungsgemäßer Installation und Nutzung unerwünschte Funkstörungen verursachen. Es gibt keine Garantie, dass Störungen bei bestimmten Installationen nicht auftreten, was sich durch Ein- und Ausschalten des Geräts feststellen lässt. Versuchen Sie im Falle einer Störung den Fehler wie folgt zu beheben:
 - Die Ausrichtung oder Position des Empfangsgeräts verändern.
 - Den Abstand zwischen den betreffenden Geräten vergrößern.
 - Das Gerät an einen anderen Stromkreis als den anschließen, an dem die anderen Geräte betrieben werden.
 - Den Gerätehersteller oder den Kundendienst kontaktieren.

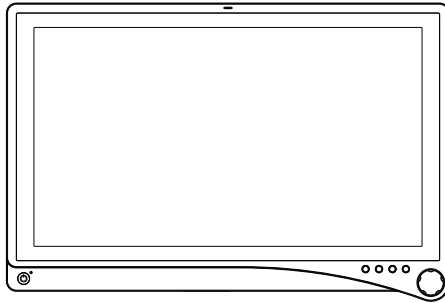
Bei Missachtung von Warnhinweisen oder Vorsichtsmaßnahmen erlischt die Garantie.

Bei diesem Produkt fällt Elektromüll an. Es muss getrennt entsorgt werden und darf nicht dem Haushaltsmüll zugeführt werden.

Informationen zum Gerät

LED-Monitor VisionPro 26"

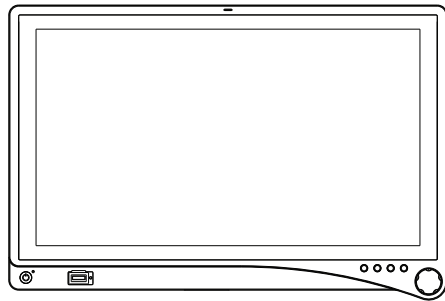
REF: 0240-031-020



Der LED-Monitor VisionPro 26" ist ein Breitbild-LED-Monitor für den chirurgischen Gebrauch, der als maximale Auflösung WUXGA (1920 x 1200) unterstützt. Der Monitor unterstützt die folgenden Videoeingänge: Digital-RGB, Analog-RGB, serielle digitale Schnittstelle (SDI), Component-Video (YPbPr/RGB), S-Video und C-Video/SOG. Er unterstützt außerdem eine serielle Kommunikation über den RS232-Anschluss.

Drahtloser LED-Monitor VisionPro SYNK 26"

REF: 0240-031-000



Der drahtlose LED-Monitor VisionPro SYNK 26" kann mit dem optionalen SYNK-Sender (0240-031-010 oder 0240-031-011) kombiniert werden, der den Empfang eines hochauflösenden Videosignals über eine Hochfrequenzverbindung ermöglicht.

Der Monitor unterstützt die folgenden Videoeingänge: DVI, S-Video und C-Video/SOG. Nachdem die Drahtlosfunktion aktiviert wurde, unterstützt das Gerät einen drahtlosen Digital-RGB-Videoeingang. Außerdem werden ein USB-Anschluss sowie eine serielle Kommunikation über den RS232-Anschluss unterstützt.

Hinweis: Die Drahtlosfunktion des drahtlosen LED-Monitors VisionPro SYNK 26" kann ausschließlich über den SYNK-Sender aktiviert werden.

Genauere Informationen und Anweisungen zur Verwendung des drahtlosen SYNK-Senders und der Drahtlosfunktion des drahtlosen LED-Monitors VisionPro SYNK 26" sind dem Handbuch zum SYNK Wireless System (P21693) zu entnehmen.

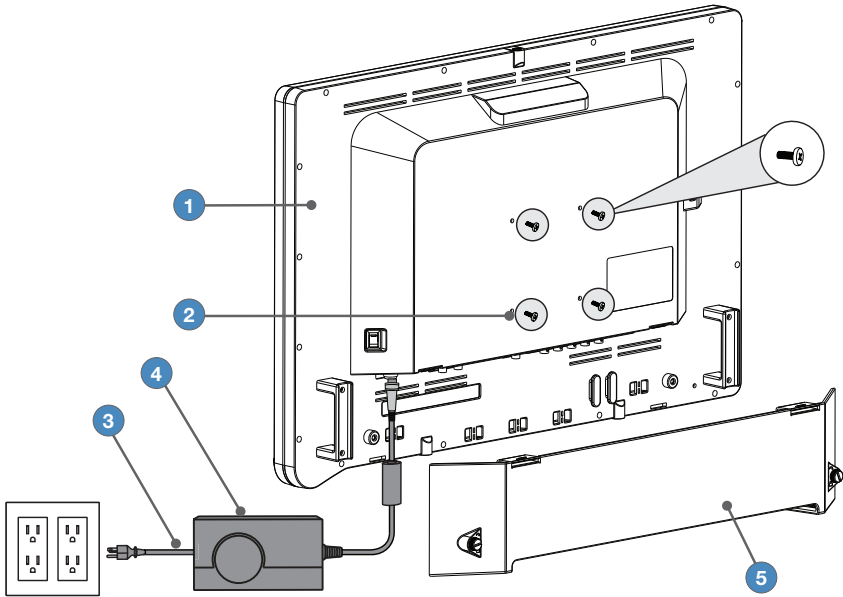
Verwendungszweck und Indikationen

Der drahtlose LED-Monitor VisionPro SYNK 26" und der LED-Monitor VisionPro 26" sind für die Anzeige von Videos bei chirurgischen Eingriffen wie der Arthroskopie (orthopädische OP), Laparoskopie (allgemeine und gynäkologische OP), Endoskopie (allgemeine, gastroenterologische und HNO-OP) und der allgemeinen Chirurgie bestimmt. Der Monitor ist ein nicht steriles, jedoch wiederverwendbares Gerät, das nicht zur Verwendung im Sterilbereich bestimmt ist. Der Monitor ist zur Verwendung durch qualifizierte Ärzte bestimmt, die umfangreiche Kenntnisse über diese chirurgischen Eingriffe besitzen.

Kontraindikationen

Es sind keine Kontraindikationen für dieses Gerät bekannt.

Verpackungsinhalt



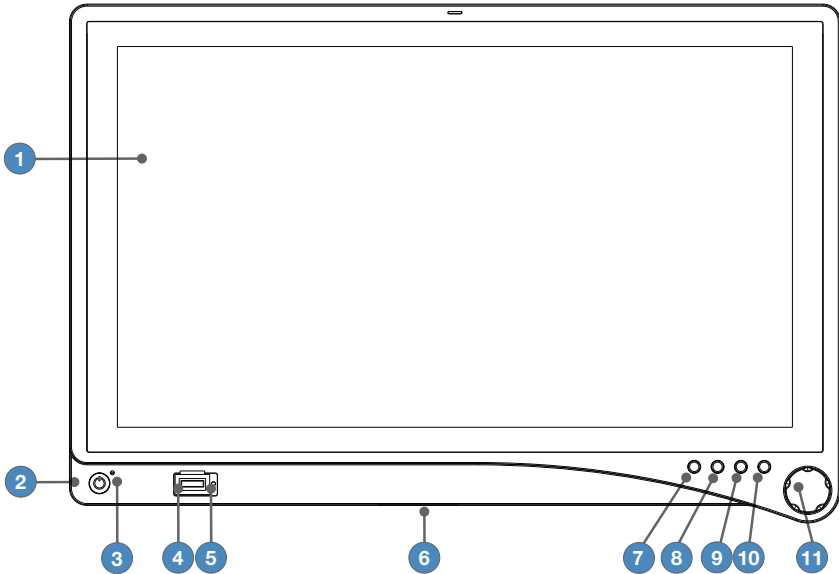
| Referenz | Bestellnr. | Verpackungsinhalt |
|----------|------------------------------|---|
| 1 | 0240-031-020 0240-031-000 | LED-Monitor VisionPro 26" oder Drahtloser LED-Monitor VisionPro SYNK 26" |
| 2 | - | (4) VESA-Schrauben (M4 × 16 mm) |
| 3 | - | Für den Krankenhausbetrieb geeignetes Wechselstromkabel |
| 4 | 0240-031-004 | Medizinische Stromversorgung |
| 5 | - | Kabelverkleidung |

| Bestellnr. | Optionales Zubehör |
|--------------|--|
| 0240-031-002 | Monitorabdeckung für VisionPro 26" |
| 0240-031-004 | Medizinische Stromversorgung |
| 0240-031-010 | Drahtloser SYNK-Sender |
| 0240-030-951 | (5-poliges) 4,5 m-Gleichstrom-Verlängerungskabel |
| 0240-030-952 | (5-poliges) 23 m-Gleichstrom-Verlängerungskabel |

Geräteigenschaften

Vorderseite

Die Bedienung des Monitors erfolgt über den Drehknopf an der Gerätevorderseite. Eine Beschreibung der Bedienelemente und ihrer Funktionen finden Sie in der folgenden Übersicht.



- | | |
|---|--|
| 1. Monitor-Bildschirm | Zeigt die Videobilder an. |
| 2. Ein/Aus-Schalter (weich) | Schaltet den Monitor EIN und AUS. |
| 3. Betriebs-LED | Gibt über den aktuellen Zustand Auskunft: Grün – Monitor ist eingeschaltet oder befindet sich im Bildschirmschoner-Modus Rot blinkend – Monitor befindet sich im Ruhezustand Gelb blinkend – Unter- oder Überspannung |
| 4. Token-Anschluss (nur drahtloser LED-Monitor VisionPro SYNK 26") | Zum Einstecken von Token für die Herstellung einer drahtlosen Verbindung mit dem Sender. |
| 5. Token-LED (nur drahtloser LED-Monitor VisionPro SYNK 26") | Grün – Datenverbindung ist eingerichtet Gelb – Wird initialisiert Gelb blinkend – Fehler, Kundendienstmitarbeiter kontaktieren |
| 6. Zusatzanschluss | Unterstützt den Anschluss von Zusatzinstrumenten. |

7. Audio/PIP

LED-Monitor VisionPro 26“:

Ermöglicht den Zugriff auf das Menü zur Bild-in-Bild-Anpassung.

Drahtlose LED-Anzeige VisionPro SYNK 26“:

Drücken Sie diesen Knopf zweimal, um das Menü zur Bild-in-Bild-Anpassung aufzurufen.

Hinweis: Die Audiofunktion wird bei diesem Vorgang nicht aktiviert.

8. Hell

Ermöglicht den Zugriff auf das Menü zur Anpassung der Helligkeit.

9. Spezialverfahren

Ermöglicht den Zugriff auf das Menü zur Anpassung von Spezialverfahren.

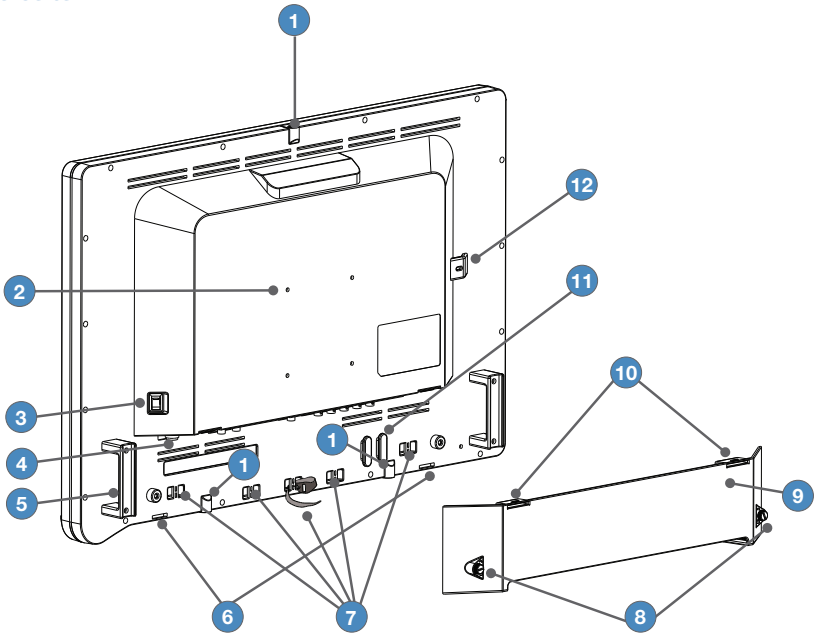
10. Eingang

Ermöglicht den Zugriff auf das Menü zur Auswahl des Eingangs.

11. Drehknopf

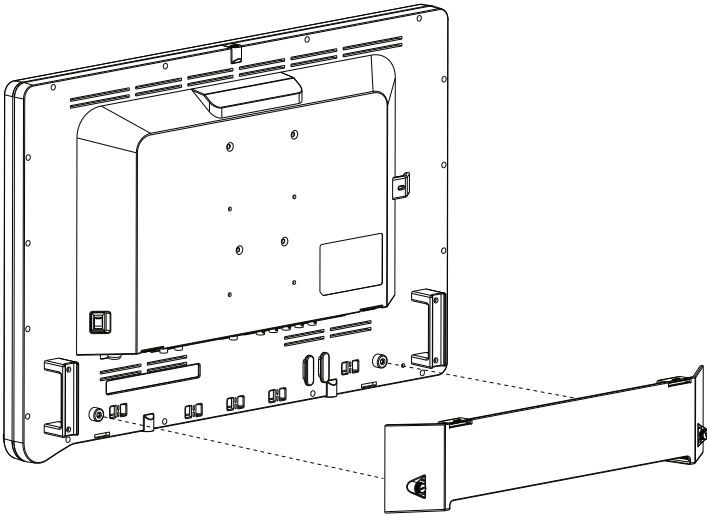
Bietet Zugriff auf die Bildschirmanzeige und navigiert durch ihre Funktionen.

Rückseite



- 1. Zubehörhalterungen (3)** Bieten einen Zugangspunkt zum Anbringen von optionalem Zubehör.
- 2. VESA-Montagebohrungen** Vorgebohrte Zugänge für die Montage des Monitors.
- 3. Ein/Aus-Schalter (hart)** Zum Ein- und Ausschalten der Stromversorgung des Geräts.
- 4. Stromanschluss** Anschluss an das 24 V-Gleichstrom-Netzteil.
- 5. Griffe** Helfen bei Positionierung des Monitors.
Vorsicht: Die Griffe sind nicht darauf ausgelegt, das gesamte Monitorgewicht zu tragen.
- 6. Scharniere für Kabelverkleidung** Zum Anbringen der Unterseite der Kabelverkleidung am Monitor.
- 7. Klettbänder** Klettbänder helfen bei der Verlegung der Kabel.
- 8. Schrauben für Kabelverkleidung** Befestigen die Kabelverkleidung am Monitor; werden manuell festgezogen und gelöst.
- 9. Kabelverkleidung** Verdeckt Kabel.
- 10. Clips für Kabelverkleidung** Zum Anbringen der Oberseite der Kabelverkleidung am Monitor.
- 11. Kabelbinder** Bietet eine Stelle zum Bündeln von Kabeln.
- 12. Verriegelung** Ein Verriegelungsmechanismus oder Kabel kann hier zu Sicherheitszwecken entlang geführt werden.

Kabelverkleidung



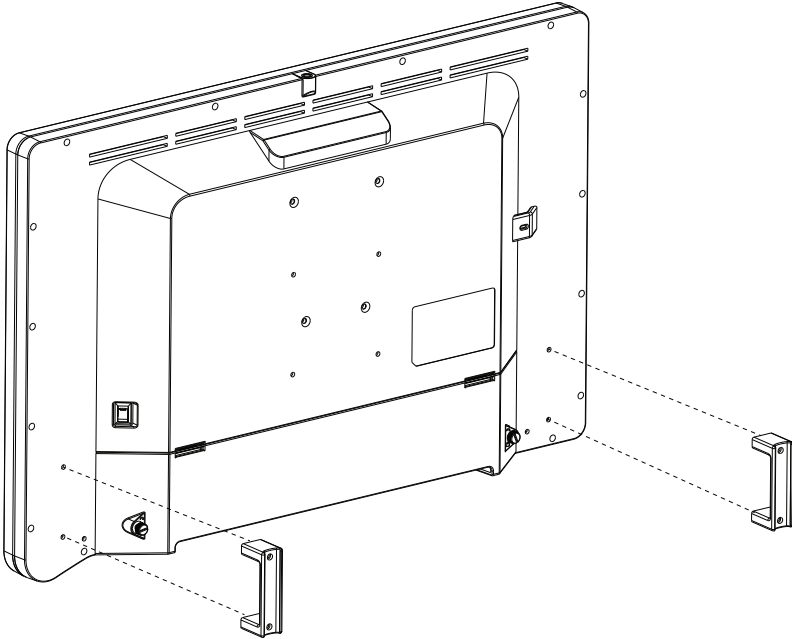
Anbringen der Kabelverkleidung

1. Richten Sie die linken und rechten Scharniere der Kabelverkleidung am unteren Rand der Monitorrückseite aus.
2. Rasten Sie den oberen Teil der Kabelverkleidung in die Ausrichtungsklemmen ein.
3. Drehen Sie die Schrauben manuell im Uhrzeigersinn, um die Kabelverkleidung fest am Monitor anzubringen.

Entfernen der Kabelverkleidung

1. Drehen Sie die Schrauben manuell gegen den Uhrzeigersinn, um sie zu lösen.
2. Drücken Sie, sobald die Schrauben vollständig gelöst sind, die linken und rechten Klemmen und ziehen Sie die Kabelverkleidung nach vorne.
3. Nehmen Sie die Kabelverkleidung von den linken und rechten Scharnieren ab.

Monitorgriffe



Vorsicht: Die Griffe sind zur Unterstützung der Positionierung des Monitors, nicht zum Transport des Monitors ausgelegt. Die Griffe sollten nicht das gesamte Monitorgewicht tragen.

Entfernen der Monitorgriffe

1. Lösen Sie die zwei M4 x 30 mm Schrauben mittels eines Sechskantschlüssels von 3 mm und ziehen Sie den Griff vorsichtig vom Monitor weg.

Anbringen der Monitorgriffe

1. Richten Sie den Griff an den Schraubenlöchern auf der Rückseite des Monitors aus.
2. Drehen Sie die zwei M4 x 30 mm Schrauben mittels eines Sechskantschlüssels von 3 mm ein, um den Griff zu befestigen.

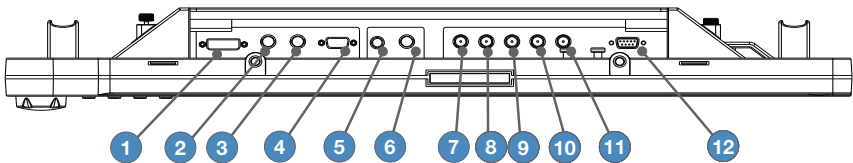
Einrichtung

Mit dem Erwerb dieses Produkts von Stryker Endoscopy haben Sie Anspruch auf Schulungen und Serviceleistungen vor Ort. Der für Sie zuständige Stryker Endoscopy-Vertreter wird für mindestens einen Schulungstermin in Ihrem Hause zur Verfügung stehen und Ihnen und Ihren Angestellten bei der Einrichtung des Geräts helfen sowie Anweisungen für den Betrieb und die Wartung geben. Um diesen Termin zu vereinbaren, wenden Sie sich bitte an Ihren Stryker Endoscopy-Vertreter, sobald Sie das Gerät erhalten haben.

Anschlüsse

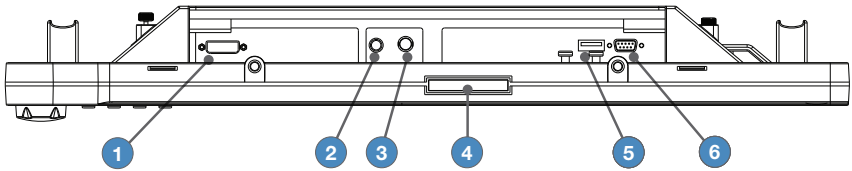
Anschlüsse des LED-Monitors VisionPro 26"

Video-Eingangs- und -ausgangssignale werden wie in der Abbildung unten an der Rückseite des Monitors angeschlossen:



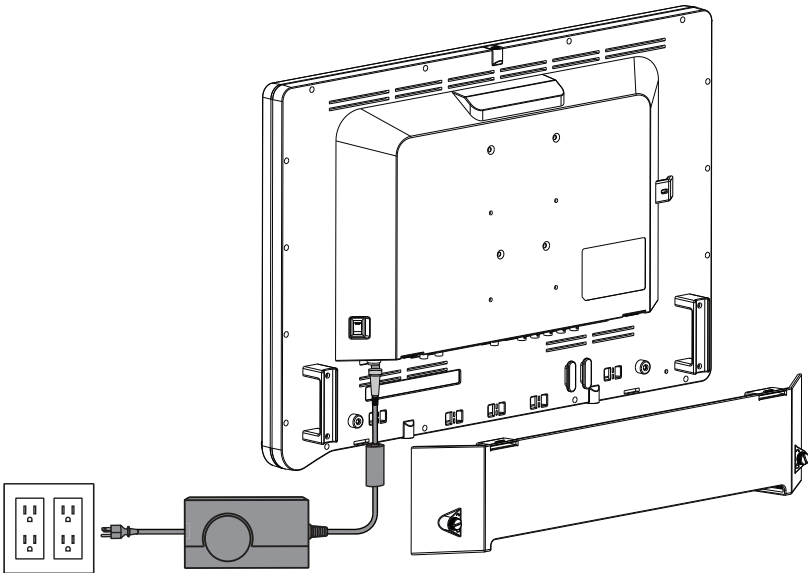
- | | |
|----------------------------|------------|
| 1. DVI | 7. R/Pr |
| 2. 3G/HD/SD SDI-Eingang | 8. G/Y |
| 3. 3G/HD/SD SDI-Ausgang | 9. B/Pb |
| 4. VGA | 10. H-Sync |
| 5. S-Video | 11. V-Sync |
| 6. C-Video/SOG | 12. RS232 |

Anschlüsse des drahtlosen LED-Monitors VisionPro SYNK 26"



- | | |
|----------------|----------------|
| 1. DVI | 4. Hilfsingang |
| 2. S-Video | 5. USB |
| 3. C-Video/SOG | 6. RS232 |

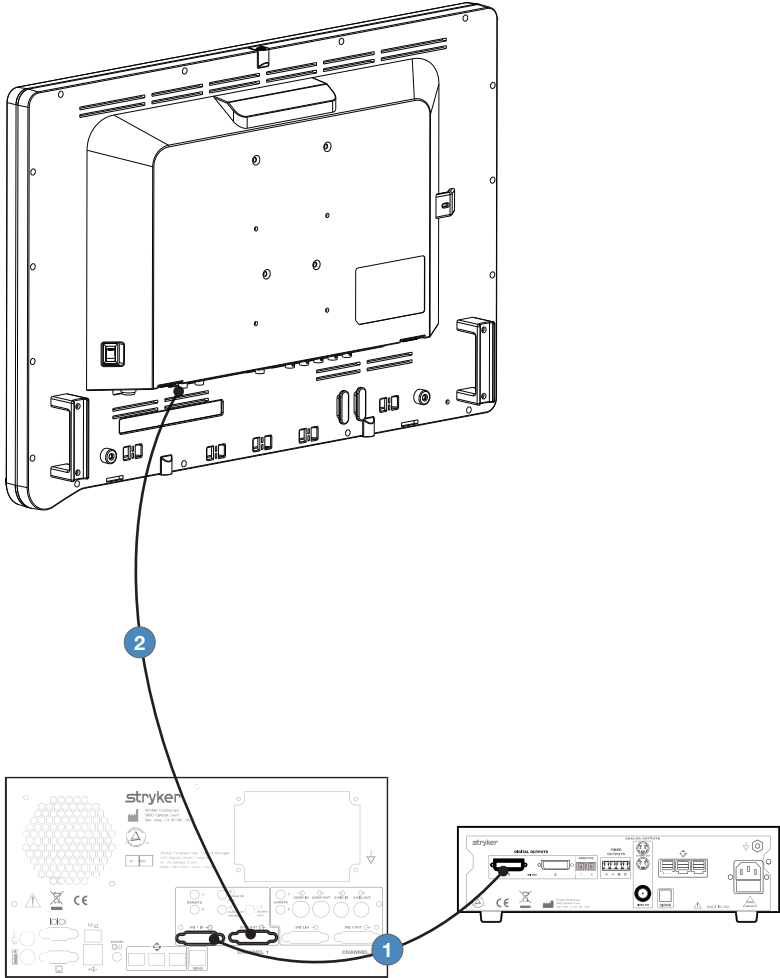
Anschluss der Stromversorgung



1. Schließen Sie das Netzteil an den 24 V-Eingang des Monitors an.
2. Verbinden Sie das Wechselstrom-Kabel mit dem Netzteil.*
3. Schließen Sie das Gerät über das mitgelieferte und für Krankenhauszwecke geeignete Netzkabel an das Wechselstromnetz an.
4. (Optional, nicht abgebildet) Schließen Sie ein Verlängerungskabel zwischen Netzteil und Monitor an.
5. Bringen Sie die Kabelverkleidung an.

* Informationen zur Stromversorgung: Modellnummer: BPM150S24F11, Hersteller: Bridgepower Corp.

Grundlagen der Video-Einrichtung



1. Leiten Sie Video-Ausgang 1 von der Kamera zum SDC DVI-Eingang.
2. Leiten Sie Video-Ausgang 1 vom SDC DVI-Ausgang zum DVI-Eingang des Monitors.

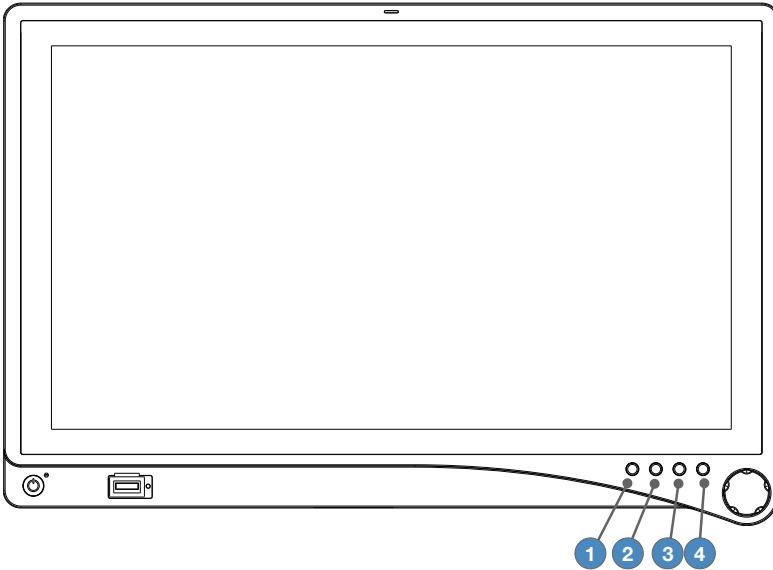
Hinweis: Stryker empfiehlt eine Backup-Verbindung zur Kamera.

Betrieb

Die Bedienung des Monitors erfolgt über den Drehknopf und die vier Schalter an der Gerätevorderseite. Eine Beschreibung der Bedienelemente und ihrer Funktionen finden Sie in der folgenden Übersicht.

Bildschirmanzeige (On-Screen Display/OSD)

Auf die Bildschirmanzeige zugreifen



Bedienung der vier Schalter auf der Frontseite:

1. **Audio/PIP (drahtlose LED-Anzeige VisionPro SYNK 26'')**:
 - Drücken Sie diesen Knopf zweimal, um den Bildmodus (Bild-in-Bild, Bild-neben-Bild, Bild-auf-Bild) zu aktivieren.
2. **PIP (LED-Monitor VisionPro 26'')**:
 - Drücken Sie diesen Knopf einmal, um den Bildmodus (Bild-in-Bild, Bild-neben-Bild, Bild-auf-Bild) zu aktivieren.
3. **Hell**: Ruft das Menü zur Anpassung der Helligkeit auf.
4. **Spezialverfahren**: Ruft das Menü zur Anpassung von Spezialverfahren auf.
5. **Eingang**: Ruft das Menü zur Auswahl des Eingangs auf.

Navigieren Sie mittels des Drehknopfs in den OSD-Menüs, sobald diese jeweils aufgerufen sind:

- **Drücken** – Dient zum Aufrufen des Bildschirmmenüs bzw. zur Auswahl von Menüelementen.
- **Rechts-/Linksdrehung** – Bei aktiviertem Bildschirmmenü dient die Drehung zur Erhöhung/ Reduzierung des ausgewählten Parameters.
- **Gedrückt halten** – Schließt das Bildschirmmenü.

Bildschirmanzeige bedienen

Die Bildschirmanzeige des Geräts hilft bei der Navigation durch verschiedene Gerätemenüs.

1. Drücken Sie den **Drehknopf**, um das OSD-Menü zu aktivieren.
2. Drehen Sie den **Drehknopf**, um durch die Menüeinträge zu blättern.
Der jeweils ausgewählte Parameter wird hervorgehoben dargestellt.
3. Drücken Sie den **Drehknopf**, um zur nächsten OSD-Ebene zu wechseln.
4. Drehen Sie den **Drehknopf**, um den Wert des ausgewählten Parameters zu erhöhen oder zu verringern bzw. um eine Auswahl zwischen mehreren Optionen zu treffen.
5. Wählen Sie die Option „Exit“ (Beenden), um das OSD-Menü aus einem Menü der zweiten oder dritten Ebene heraus zu schließen. Halten Sie den **Drehknopf** gedrückt, um das OSD-Menü ganz zu verlassen. Wenn keine Tasten gedrückt werden, wird das OSD-Menü nach dem Verstreichen einer im Werk voreingestellten Zeitspanne (benutzerdefinierte Einstellung der Zeit möglich) automatisch beendet.

OSD-Menüs

Speciality (Spezielle Funktionen)

| Menüelement | Beschreibung | Bereich |
|--|--|------------------------|
| Color Temperature (Farbtemperatur)* | Wählt zwischen Farbtemperaturen für Lap A, Lap B, Arthro A, Arthro B, Standard, PACS, NORM, ENT und GYN aus. | — |
| Red (Rot) | Rotanteil | -128–127 |
| Green (Grün) | Grünanteil | -128–127 |
| Blue (Blau) | Blauanteil | -128–127 |
| Gamma | Gamma-Wert | 0,1–2,5, S0, S1, S2 |

* Anpassungen der Farbtemperatur für RGB sind nur bei den Einstellungen Standard, Arth und Lap möglich. PACS- und Norm-Anpassungen stehen nur bei SOG-Eingang zur Verfügung.

Audio (Menü derzeit nicht aktiv)

Brightness Settings (Helligkeitseinstellungen)

| Menüelement | Beschreibung | Bereich |
|---|--|---------|
| Brightness (Helligkeit) | Erhöht oder reduziert die Helligkeit | 0–100 |
| Contrast (Kontrast) | Erhöht oder reduziert den Kontrast | 0–100 |
| Phase** | Erhöht oder reduziert den Phasenwert | 0–100 |
| Chroma** | Erhöht oder reduziert den Chrominanzwert | 0–100 |
| Image Sharpness (Bildschärfe) | Legt die Bildschärfe fest | 1–10 |
| Video Sharpness (Videoschärfe)** | Erhöht oder reduziert die Videoschärfe | 0–100 |

** Nur bei SDI-, S- oder C-Videoeingabe verfügbar.

Image Effect (Bildeffekt)

| Menüelement | Beschreibung |
|---------------------------------------|---|
| Scale Mode (Skalierungsmodus) | Wählt einen Skalierungsmodus aus: Fill All, V-Fill, H-Fill, One-To-One oder Fill-Aspect |
| Freeze Frame (Bild einfrieren) | Dient zum Anhalten und Weiterlaufen der Anzeige |
| PIP | Aktiviert die PIP-Funktion (picture in picture – Bild in Bild) |
| POP | Aktiviert die POP-Funktion (picture on picture – Bild auf Bild) |
| PBP | Aktiviert die PBP-Funktion (picture by picture – Bild neben Bild) |

Advanced Settings (Erweiterte Einstellungen)

| Menüelement | Beschreibung |
|---|--|
| Key lock (Tastensperre) | Tastensperre an: Deaktiviert alle Tastenfunktionen Halten Sie den Drehknopf gedrückt, um die Tastensperre zu deaktivieren. |
| Auto Source Select (Autom. Quellenauswahl) | Sucht die Eingänge ab, bis eine aktive Videoquelle erkannt wird. Die automatische Quellenauswahl ist im PIP-/POP-/PBP-Modus deaktiviert. |
| Sleep Timer (Zeitgeber für Ruhezustand) | On (Eingeschaltet): Der Monitor begibt sich in den Ruhezustand, wenn keine aktive Videoquelle erkannt wird. |
| | Off (Ausgeschaltet): Der Monitor begibt sich nicht in den Ruhezustand. |
| | Timer (Zeitgeber): Stellen Sie ein, nach welcher Zeit sich das Display in den Ruhezustand begeben soll, wenn keine aktive Videoquelle erkannt wird |
| OSD Control (OSD-Steuerung) | Einstellen von Position, Hintergrund und Anzeigedauer des OSD (On Screen Display) Menüs |
| Restore Factory Settings (Werkseinstellungen wiederherstellen) | Zurücksetzen aller Parameter auf die Werkseinstellungen |
| Screen Control (Bildschirmsteuerung) | VGA <ul style="list-style-type: none"> • Horizontal • Vertikal • Phase • Frequenz |
| | S-Video, C-Video, SOG, RGBs, Component <ul style="list-style-type: none"> • Horizontal • Vertikal |

SYNK (für den drahtlosen LED-Monitor VisionPro SYNK 26")

| Status | Beschreibung |
|--|--------------|
| RX APP: XX.XX.XX RX MAC: XX.XX.XX.XX | Empfänger |
| TX APP: XX.XX.XX TX MAC: XX.XX.XX.XX | Sender |
| WiFi SW: XXX-X.XX SIGNAL = Hervorragend, Gut, Schlecht Standardregion: XXX FREQ: XXXX MHz | Sender |

Information (Informationen)

| Menüelement | Beschreibung |
|---|--|
| User Name Entry (Eingabe des Benutzernamens) | Eingabe eines benutzerdefinierten Benutzernamens, der bei Systemstart angezeigt wird |
| Serial Number (Seriennummer) | Anzeige der Seriennummer des Monitors |
| Runtime (Betriebsdauer) | Anzeige der aktuellen Gesamtbetriebsdauer des Geräts |
| Input Format (Eingabeformat) | Anzeige des aktuellen Eingabeformats |

Hinweis: Die tatsächlichen Werte im Bildschirmenü können bei aktualisierten Firmwareversionen und Benutzereinstellungen abweichen.

Fehlerbehebung

Bevor Sie den Monitor zur Reparatur einsenden, sollten Sie folgende Liste zur Fehlerbehandlung durchgehen:

| Problem | Aktueller Status | Fehlerbehandlung | |
|-----------------------|---|---|--|
| Kein Bild | Stromzufuhr-LED leuchtet | Stellen Sie mithilfe des OSD-Menüs die Helligkeit und den Kontrast auf die Maximalwerte ein bzw. setzen Sie sie auf die Standardeinstellungen zurück. | |
| | Stromzufuhr-LED leuchtet nicht | Stellen Sie sicher, dass die Netzschalter an der Vorder- und Rückseite des Bildschirms eingeschaltet sind. | |
| | | Überprüfen Sie, ob das Netzkabel ordnungsgemäß in das Netzteil und die Steckdose eingesteckt ist. | |
| | Stellen Sie sicher, dass die Netzversorgung vollständig angeschlossen ist und ordnungsgemäß funktioniert. | | |
| Kein Bild | Stromzufuhr-LED blinkt | Rot | Monitor befindet sich im Ruhezustand. Drücken Sie eine beliebige Taste, um den Ruhezustand zu beenden. |
| | | Gelb | In der Stromversorgung könnte eine Über- oder Unterspannung bestehen. |
| Fehlerhaftes Bild | Video zu groß oder zu klein, nicht vorhanden oder verschoben. | Passen Sie im Bildschirmsteuerungsmenü die Einstellungen „Phase“, „Frequenz“, „Horizontal“ und „Vertikal“ an, um das Monitorbild zu korrigieren. | |
| | | Einstellungen im Skalierungsmodus anpassen | |
| | | Nur bei VGA-Eingängen: Halten Sie den Drehknopf 1–2 Sekunden lang gedrückt, um die Videoquelle neu zu synchronisieren. | |
| | | Warten Sie einige Sekunden nach der ersten Synchronisierung der Videosignale, oder schalten Sie den Monitor aus und wieder ein. | |
| OSD-Fehlermeldung | „Kein Programm“ | Stellen Sie sicher, dass eine geeignete Videoquelle angeschlossen ist. | |
| Token-LED blinkt gelb | Fehler | Wenden Sie sich an einen Kundendienstmitarbeiter. | |

Reinigung und Wartung



Warnung

Um einen Stromschlag und die Gefahr einer tödlichen Verletzung zu vermeiden, den Monitor und das Netzteil vor der Reinigung von der Netzsteckdose trennen.

Vorsicht

- Sprühen Sie kein Reinigungsmittel direkt auf den Monitor oder das Netzteil, da dies zu Produktschäden führen kann. Sprühen Sie das Reinigungsmittel auf ein Tuch, und wischen Sie die Einheit mit dem Tuch ab.
- Tauchen Sie den Monitor oder das Netzteil nicht in Flüssigkeiten ein, da dies Produktschäden zur Folge hat.
- Verwenden Sie keine korrosiven Reinigungsmittel zur Reinigung des Monitors oder des Netzteils, da dies zu Produktschäden führen kann.
- Monitor und Netzteil dürfen nicht sterilisiert werden, da dies Produktschäden zur Folge haben kann.

Reinigung

Zum Reinigen des Monitors oder des Netzteils:

1. Entfernen Sie die Monitorabdeckung vor der Reinigung.
2. **Für den drahtlosen LED-Monitor VisionPro SYNK 26“:** Vergewissern Sie sich, dass die Abdeckung auf dem Token-Anschluss angebracht ist, bevor Sie den Monitor reinigen.
3. Tragen Sie ein gebräuchliches Desinfektionsmittel oder sanftes Reinigungsmittel auf ein trockenes, steriles Tuch auf.
4. Wischen Sie den Monitor oder das Netzteil ab.
5. Bei der Reinigung des Bildschirms selbst ist besondere Vorsicht geboten. Überschüssige Flüssigkeit bzw. Tropfen, die an der Unterseite des Bildschirms oder in die Netzsteckdose eindringen, können Produktschäden zur Folge haben.

Überprüfung

Führen Sie vor jedem Gebrauch des Produkts eine Überprüfung durch. Lesen Sie den Abschnitt „Vorgehensweise bei Störungen und Problemen“ in diesem Dokument, falls eine der folgenden Bedingungen zutrifft. Im Falle einer ungenügenden Produktleistung stellen Sie die Verwendung ein und wenden Sie sich an Ihren Stryker-Vertreter.

- kein Bild, fehlerhaftes Bild oder unakzeptable Bildqualität
- Einschalten des Geräts nicht möglich
- Tasten- und/oder Knopffunktionalität falsch oder fehlende Reaktion
- erhebliche physische Beschädigungen am Display oder an den Zubehörteilen wie u. a. ungenügende Bildschirmklarheit, beschädigte Beschichtungen, Korrosionsbildung, anormale Geräusentwicklung, gerissene Kabel, freiliegende Drähte und/oder Schäden, aufgrund derer eine sichere Befestigung unmöglich ist
- Netz-LED blinkt gelb.

Erwartete Nutzungsdauer

Die Lebensdauer des Produkts und seiner Zubehörteile wird weitgehend durch Verschleiß, Reinigungsmethoden und eventuelle Schäden durch den Gebrauch bestimmt. Befolgen Sie grundsätzlich die in diesem Benutzerhandbuch und dem Benutzerhandbuch der Zubehörteile beschriebenen Pflege- und Handhabungsanweisungen, um die Abstände zwischen den einzelnen Gerätewartungen zu verlängern.

Entsorgung



Das Produkt und seine Zubehörteile sind in Übereinstimmung mit der Europäischen Richtlinie 2012/19/EU über Elektro- und Elektronik-Altgeräte (WEEE) in ihrer geänderten Fassung für das Recycling getrennt zu sammeln. Nicht im Haushaltsmüll entsorgen. Informationen zur Entsorgung erhalten Sie bei Ihrem örtlichen Händler. Stellen Sie sicher, dass kontaminierte Geräte vor dem Recycling gemäß dieser Gebrauchsanweisung und der Gebrauchsanweisung der Zubehörteile gereinigt werden.

Systemzubehörteile sind entsprechend den üblichen Klinikrichtlinien für möglicherweise kontaminierte Gegenstände zu entsorgen.

Meldung unerwünschter Ereignisse

Jeder schwerwiegende Vorfall im Zusammenhang mit diesem Gerät ist Stryker sowie in der Europäischen Union auch der zuständigen Behörde des Mitgliedstaats zu melden, in dem die betroffene Person ihren Wohnsitz hat.

Technische Daten

Anzeige

| | |
|---|---|
| LCD-Anzeigefeld | 26" (661 mm) Diagonale (a-Si TFT-Aktivmatrix-LCD) |
| Synchronisation | 2,5–5,0 Vpp sep. Synch. |
| Pixelabstand | 0,300 (H) x 0,300 (V) mm |
| Reaktionszeit | < 18 ms Typ |
| Betrachtungswinkel | Rechts/Links/Oben/Unten 89 Grad |
| Farbdarstellung | 1 Milliarde Farben (10 Bit) |
| Bildauflösung | 1920 (H) x 1080 (V) Bildpunkte |
| Signale des LED-Monitors VisionPro 26" | DVI, VGA, 3G/HD/SD-SDI (Eingang/Ausgang), C-Video/SOG, S-Video, Component/RGBs (Y/G, Pb/B, Pr/R, HS, VS), RS232 |
| Signale des drahtlosen LED-Monitors VisionPro SYNK 26" | Drahtloses Digital-RGB, DVI, S-Video, C-Video/SOG, RS232 und USB |
| Maximaler Pixeltakt | 165 MHz |

Elektrische Daten

| | |
|------------------------------------|--|
| Netzteil | Eingang: 100–240 V AC; 50–60 Hz; 2,5 A (2,5A - 1,5A) Ausgang: 24 V DC; 6,25 A (150 W Max) Modellnummer: BPM150S24F11 |
| Stromverbrauch (Schätzwert) | 35–65 Watt |

Strom/Nennspannung

Bitte stellen Sie sicher, dass das verwendete Stromkabel den jeweils geltenden Vorschriften und Normen entspricht.

| | |
|----------------------------------|---|
| 110 V +/- 10 V Steckdosen | Ein Netzkabel mit UL- und CSA-Zulassung, Typ SJT oder SVT, 3-Leiter, 18 AWG wählen, an dessen Ende ein für Krankenhauszwecke geeigneter Stecker mit der Nennleistung 110 V +/- 10 V, 15 A, angebracht ist, und das eine Mindestlänge von 1,8 m aufweist. |
| 220 V +/- 20 V Steckdosen | Ein international harmonisiertes Netzkabel mit dem Kennzeichen „<HAR>“, 3-Leiter, mind. 0,75-mm ² -Draht mit Nennleistung 220 V +/- 20 V, 10 A und einem PVC-isoliertem Mantel wählen. Das Kabel muss über einen Stecker mit der Nennleistung 220 V +/- 20 V, 10 A verfügen. Kabel und Stecker müssen für medizinische Zwecke geeignet sein. |

Abmessungen

| | |
|---------------------------|-----------------------|
| Maße (B × H × T) | 660,4 × 442 × 86,4 mm |
| Gewicht (ungefähr) | 8,3 kg |
| VESA-Schnittstelle | VESA 100 x 100 mm |

Betriebsbedingungen

| | |
|----------------------------------|----------|
| Temperatur | 10–40 °C |
| Relative Luftfeuchtigkeit | 25–75 % |

Transport- und Lagerbedingungen

| | |
|----------------------------------|-----------|
| Temperatur | -18–60 °C |
| Relative Luftfeuchtigkeit | 15–90 % |

Klassifikation und Zulassungen

Gerät der Klasse 1
Medizinisches Gerät entspricht in Bezug auf die Gefährdung durch Stromschlag, Feuer und mechanischer Einwirkung nur UL 60601-1 und CAN/CSA C22.2 Nr. 601.1.
IP23: Schutz gegen Berührung mit den Fingern und ähnlichen Fremdkörpern, Schutz gegen Sprühwasser (aus einem Winkel unter 60° aus der Vertikalen)
Dauerbetrieb

Konformität

| | |
|------------------|--|
| FCC-Vorschriften | LED-Monitor VisionPro 26“: FCC Teil 15, Klasse B FCC-Kennung: QVXAMM261WTDS |
| | Drahtloser LED-Monitor VisionPro SYNK 26“: FCC Teil 15, Klasse B FCC-Kennung: QVXAMM261WTDSW |
| | FCC Teil 15, Klasse C FCC-Kennung: SSH-SYNKRX (Empfängerplatine) FCC-Kennung: SSH-SDMAN (Zubehörplatine) |
| IC-Vorschriften | Drahtloser LED-Monitor VisionPro SYNK 26“: IC: 4919C-SYNKRX (Empfängerplatine) IC: 4919C-SDMAN (Zubehörplatine) |

Hinweis: Wenden Sie sich bezüglich Angaben zu Änderungen und neuen Produkten an den zuständigen Stryker Endoscopy-Vertreter.

Elektromagnetische Verträglichkeit

Der LED-Monitor VisionPro 26" und der drahtlose LED-Monitor VisionPro SYNK 26" erfordern genau wie andere elektrische medizinische Geräte besondere Vorsichtsmaßnahmen zur Sicherstellung der elektromagnetischen Verträglichkeit mit anderen elektrischen Geräten, die im medizinischen Bereich eingesetzt werden. Zur Gewährleistung der elektromagnetischen Verträglichkeit (EMV) muss der Bildschirm entsprechend den EMV-Informationen in diesem Handbuch installiert und betrieben werden. Die Konformität des Monitors mit den Anforderungen der IEC 60601-1-2 auf elektromagnetische Verträglichkeit mit anderen Geräten wurde bei der Auslegung berücksichtigt und geprüft.

Hinweis: Dieses Gerät ist für den Einsatz in einer professionellen Gesundheitseinrichtung vorgesehen. Es ist nicht für den Einsatz im HF-geschirmten Raum eines medizinischen elektrischen Systems für die Magnetresonanztomographie vorgesehen, wo die Intensität der EM-Störungen hoch ist.

Hinweis: Dieses Gerät ist wahrscheinlich nicht für Interferenzen durch HF-Chirurgieinstrumente in speziellen Umgebungen anfällig, wenn es sich in unmittelbarer Nähe eines aktiven HF-Chirurgieinstruments befindet. Falls Interferenzen mit HF-Chirurgieinstrumenten beobachtet werden, muss der Geräteabstand angepasst werden.



Warnung

Wenn das Gerät mit anderen elektrischen Geräten verbunden wird, kann es zu Kriechströmen kommen. Zur Minimierung des Gesamt-Kriechstroms pro Patient müssen Sie sicherstellen, dass alle Systeme gemäß den Anforderungen von IEC 60601-1-1 installiert sind.

Vorsicht

Mobile Funkgeräte können die normale Funktion des Monitors beeinträchtigen.
Verwenden Sie ausschließlich die mit dem Monitor gelieferten Kabel und Zubehörteile, da es ansonsten zu intensivierten elektromagnetischen Strahlungen oder erhöhter Störanfälligkeit kommen kann.
Soll der Monitor in der Nähe von oder gestapelt mit anderen Geräten eingesetzt werden, ist vor dem chirurgischen Verfahren sicherzustellen, dass der einwandfreie Betrieb des Monitors in der vorgesehenen Konfiguration möglich ist. Die folgenden Tabellen sollen die Platzierung des Monitors erleichtern.

| Angaben und Herstellererklärung: Elektromagnetische Emissionen | | |
|---|-------------|---|
| Der LED-Monitor VisionPro 26" und der drahtlose LED-Monitor VisionPro SYNK 26" sind für die Verwendung in der unten aufgeführten elektromagnetischen Umgebung vorgesehen. Der Käufer bzw. Benutzer des Monitors sollte sicherstellen, dass er nur in einer solchen Umgebung verwendet wird. | | |
| Emissionsprüfung | Konformität | Angaben zur elektromagnetischen Umgebung |
| Hochfrequenzemissionen CISPR 11 | Gruppe 1 | Da die Monitore Energie im Funkfrequenzbereich nur für interne Funktionen verwenden, ist die Strahlung der Geräte in diesem Frequenzbereich sehr gering und Störungen mit anderen Geräten entsprechend unwahrscheinlich. |
| Hochfrequenzemissionen CISPR 11 | Klasse B | Die Monitore sind für den Einsatz an allen Betriebsstätten geeignet, mit Ausnahme von Wohnräumen und solchen Gebäuden, die direkt an das öffentliche Niederspannungsnetzwerk angeschlossen sind und zu Wohnzwecken genutzt werden. Dabei ist folgender Warnhinweis zu beachten: Warnhinweis: Dieses System darf nur von medizinischem Fachpersonal bedient werden. Das System kann Funkstörungen verursachen oder den Betrieb in der Nähe befindlicher Geräte beeinträchtigen. Möglicherweise sind Maßnahmen zur Abhilfe zu ergreifen, z. B. das Neuausrichten oder ein Standortwechsel des Systems bzw. das Abschirmen des Standorts. |
| Oberschwingungsströme IEC 61000-3-2 | Klasse D | |
| Spannungsschwankungen/Flicker IEC 61000-3-3 | Konform | |

| Leitlinien und Herstelleranweisungen – Elektromagnetische Störfestigkeit | | | |
|---|---|--|--|
| Der LED-Monitor VisionPro 26" und der drahtlose LED-Monitor VisionPro SYNK 26" sind für die Verwendung in der unten aufgeführten elektromagnetischen Umgebung vorgesehen. Der Käufer bzw. Benutzer des Monitors sollte sicherstellen, dass er nur in solchen Umgebungen verwendet wird. | | | |
| Störfestigkeitsprüfung | Prüfpegel gemäß IEC 60601 | Übereinstimmungspegel | Hinweise zur elektromagnetischen Umgebung |
| Elektrostatische Entladung (ESD) IEC 61000-4-2 | ± 8 kV Kontakt ± 15 kV Luft | ± 8 kV Kontakt ± 15 kV Luft | Die Fußböden sollten aus Holz, Beton oder Keramikfliesen bestehen. Bestehen die Bodenbeläge aus synthetischem Material, sollte die relative Luftfeuchtigkeit bei mindestens 30 % liegen. |
| Transiente elektrische Störgrößen/Burst IEC 61000-4-4 | ± 2 kV bei Stromversorgungsleitungen ± 1 kV bei Eingangs-/Ausgangsleitungen (falls zutreffend) | ± 2 kV, Erdungsleitung ± 1 kV, Leitungsübergang (falls zutreffend) | Die Qualität der Versorgungsspannung sollte der einer typischen gewerblichen oder Krankenhausumgebung entsprechen. |
| Stoßspannungen IEC 61000-4-5 | ± 1 kV Gegentaktspannung ± 2 kV Gleichtaktspannung | ± 1 kV Gegentaktspannung ± 2 kV Gleichtaktspannung | Die Qualität der Versorgungsspannung sollte der einer typischen gewerblichen oder Krankenhausumgebung entsprechen. |
| Spannungseinbrüche, Kurzzeitunterbrechungen und Schwankungen der Versorgungsspannung IEC 61000-4-11 | 0 % U_t , 0,5 Zyklus 0 % U_t , 1 Zyklus 70 % U_t , 25 Zyklen 0 % U_t , 5 s. | 0 % U_t , 0,5 Zyklus 0 % U_t , 1 Zyklus 70 % U_t , 25 Zyklen 0 % U_t , 5 s. | Die Qualität der Versorgungsspannung sollte der einer typischen gewerblichen oder Krankenhausumgebung entsprechen. Muss ein ununterbrochener Betrieb des Senders auch bei Unterbrechungen der Netzstromversorgung gewährleistet sein, empfiehlt sich der Betrieb des drahtlosen Senders über eine unterbrechungsfreie Stromversorgung oder per Batterie. |


| | | | |
|--|--------|--------|---|
| Magnetfeld bei einer Versorgungsfrequenz (50/60 Hz) IEC 61000-4-8 | 30 A/m | 30 A/m | Die Magnetfelder mit energietechnischen Frequenzen sollten einem gängigen betrieblichen oder Krankenhausumfeld entsprechen. |
|--|--------|--------|---|

Hinweis: U_i bezeichnet die Netz-Wechselstromspannung vor der Anwendung des Prüfpegels.

Angaben und Herstellererklärung: Elektromagnetische Störfestigkeit

Der LED-Monitor VisionPro 26" und der drahtlose LED-Monitor VisionPro SYNK 26" sind für die Verwendung in der unten aufgeführten elektromagnetischen Umgebung vorgesehen.

Der Käufer bzw. Benutzer des Monitors sollte sicherstellen, dass er nur in solchen Umgebungen verwendet wird.

| Störfestigkeitsprüfung | Prüfpegel gemäß IEC 60601 | Übereinstimmungspegel | Hinweise zur elektromagnetischen Umgebung |
|--|------------------------------|-----------------------|---|
| Leitungsgeführte Störgrößen, induziert durch hochfrequente Felder IEC 61000-4-6 | 3 Veff 150 kHz bis 80 MHz | 3 V | Tragbare und mobile HF-Kommunikationsgeräte sollten den anhand der Senderfrequenzgleichung berechneten Sicherheitsabstand zu allen Komponenten der Monitore, einschließlich deren Kabeln, nicht unterschreiten. Empfohlener Sicherheitsabstand: $d = 2\sqrt{P}$ 80 MHz bis 2,7 GHz Dabei entspricht P der maximalen Nennausgangsleistung des Senders in Watt (W) laut Angabe des Herstellerherstellers und d dem empfohlenen Sicherheitsabstand in Metern (m). Die in einer elektromagnetischen Standortuntersuchung (a) ermittelten Feldstärken von ortsfesten HF-Sendern sollten unter den Konformitätspegeln der jeweiligen Frequenzbereiche (b) liegen. In der Nähe von Geräten, die mit diesem Symbol gekennzeichnet sind, können Störungen auftreten:  |
| Hochfrequente elektromagnetische Felder IEC 61000-4-3 | 10 V/m 80 MHz bis 2,7 GHz | 10 V/m | |

(a) Die Feldstärken fest installierter Sender, z. B. Basisstationen von Funktelefonen (mobil/schnurlos) und Überlandfunkgeräte, Amateurfunkgeräte, Radios und Fernsehgeräte, können theoretisch nicht mit Genauigkeit vorherbestimmt werden. Zur Ermittlung der durch ortsfeste HF-Sender verursachten elektromagnetischen Strahlung sollte deshalb eine elektromagnetische Untersuchung des Standorts erfolgen. Wenn die gemessene Feldstärke am Einsatzort des LED-Monitors VisionPro 26" und des drahtlosen LED-Monitors VisionPro SYNK 26" den oben genannten, maßgebenden HF-Konformitätspegel überschreitet, müssen Monitor und Sender überwacht werden, um eine normale Funktionstüchtigkeit zu gewährleisten. Falls ein anomales Verhalten festgestellt wird, können zusätzliche Maßnahmen erforderlich sein, beispielsweise eine Neuausrichtung oder Umpositionierung des Monitors.

(b) Im Frequenzbereich von 150 kHz bis 80 MHz sollten die Feldstärken unter 3 V/m liegen.

| Geprüfte Spezifikationen für die Störfestigkeit gegenüber drahtlosen HF-Kommunikationsgeräten | | | | | | |
|--|------------|--|--|-----------------------|-------------|--------------------------------|
| Testfrequenz (MHz) | Band (MHz) | Wartung | Modulation | Maximale Leistung (W) | Abstand (m) | Störfestigkeitsprüfpegel (V/m) |
| 385 | 380-390 | TETRA 400 | Impulsmodulation 18 Hz | 1,8 | 0,3 | 27 |
| 450 | 430-470 | GMRS 460, FRS 460 | FM ± 5 kHz Abweichung 1 kHz Sinus | 2 | 0,3 | 28 |
| 710 | 704 - 787 | LTE-Band 13, 17 | Impulsmodulation 217 Hz | 0,2 | 0,3 | 9 |
| 745 | | | | | | |
| 780 | | | | | | |
| 810 | 800-960 | GSM 800/900, TETRA 800, iDEN 820, CDMA 850, LTE-Band 5 | Impulsmodulation 18 Hz | 2 | 0,3 | 28 |
| 870 | | | | | | |
| 930 | | | | | | |
| 1720 | 1700-1990 | GSM 1800; CDMA 1900; GSM 1900; DECT; LTE-Band 1, 3, 4, 25; UMTS | Impulsmodulation 217 Hz | 2 | 0,3 | 28 |
| 1845 | | | | | | |
| 1970 | | | | | | |
| 2450 | 2400-2570 | Bluetooth, WLAN, 802.11 b/g/n, RFID 2450, LTE-Band 7 | Impulsmodulation 217 Hz | 2 | 0,3 | 28 |
| 5240 | 5100-5800 | WLAN 802.11 a/n | Impulsmodulation 217 Hz | 0,2 | 0,3 | 9 |
| 5500 | | | | | | |
| 5785 | | | | | | |
| Hinweis: Tragbare HF-Kommunikationsgeräte sollten nicht näher als mit einem Abstand von 30 cm zum LED-Monitor VisionPro SYNK 26" und zum drahtlosen LED-Monitor VisionPro 26" verwendet werden. Andernfalls kann die Leistung des entsprechenden Geräts beeinträchtigt werden. | | | | | | |
| Hiermit erklärt Stryker, dass sich der drahtlose LED-Monitor VisionPro SYNK 26" in Übereinstimmung mit den grundlegenden Anforderungen und anderen relevanten Vorschriften der Richtlinie 1999/5/EG befindet. Eine Kopie der Konformitätserklärung ist unter folgender Adresse verfügbar: Stryker Endoscopy, 5900 Optical Court, San Jose, CA, 95138, USA. | | | | | | |

Symbole und Definitionen

Die folgenden Symbole sind auf dem Produkt, den Etiketten oder der Verpackung abgebildet. Jedes der Symbole hat die im Folgenden beschriebene Bedeutung:



Gebrauchsanweisung beachten



Achtung: Siehe Gebrauchsanweisung



Seriennummer



Menge



Temperaturbereich



Luftfeuchtigkeit



Autorisierter Europa-Vertreter



Herkunftsland



Katalognummer



Gleichstrom



Herstellungsdatum



Rechtmäßiger Hersteller



Entspricht den FCC-Normen für Geräte der Klasse B und C.



Drahtlose Übertragung



Laut US-Bundesgesetz darf dieses Produkt nur durch einen Arzt bzw. auf ärztliche Anordnung verkauft werden.



Das Gerät erfüllt die Anforderungen der Europäischen Union an Medizinprodukte



Recycling-Vorschriften für das Gerät (geltend für China)



CCC-Konformitätszeichen

IP23

Gehäuse bietet Schutz gegen:

- Berührung mit den Fingern oder ähnlichen Fremdkörpern
- Sprühwasser (aus einem Winkel unter 60° aus der Vertikalen)



Einhaltung der regulatorischen Anforderungen Australiens



Die medizinischen Geräte entsprechen AAMI ES60601-1 und CSA C22.2 No. 60601-1-08-CAN/CSA in Bezug auf die Gefährdung durch Stromschlag, Feuer und mechanische Einwirkung.



Bei diesem Produkt fällt Elektromüll an. Es muss getrennt entsorgt werden und darf nicht dem Haushaltsmüll zugeführt werden.



Medizinprodukt in der Europäischen Union

Indice generale

| | |
|---|---------------|
| Avvertenze e precauzioni | IT-93 |
| Informazioni sul dispositivo | IT-96 |
| Usò previsto e indicazioni per l'uso..... | IT-97 |
| Controindicazioni..... | IT-97 |
| Contenuto della confezione..... | IT-98 |
| Caratteristiche del dispositivo..... | IT-99 |
| Impostazione..... | IT-104 |
| Collegamenti | IT-104 |
| Impostazioni di base video..... | IT-106 |
| Funzionamento..... | IT-107 |
| Visualizzazione su schermo (OSD) | IT-107 |
| Menu OSD..... | IT-109 |
| Risoluzione dei problemi | IT-112 |
| Pulizia e manutenzione | IT-113 |
| Specifiche tecniche | IT-115 |
| Compatibilità elettromagnetica | IT-117 |
| Simboli e definizioni | IT-121 |

Avvertenze e precauzioni

Leggere il manuale e attenersi scrupolosamente alle istruzioni. Le indicazioni avvertenza, attenzione e nota hanno un significato particolare e devono essere oggetto di attenta considerazione:

Avvertenza: indica misure per evitare possibili gravi lesioni all'utente e al paziente.

Attenzione: indica la presenza di un rischio per l'apparecchiatura. L'inosservanza dei messaggi di attenzione potrebbe arrecare danni al prodotto.

Nota: fornisce informazioni specifiche per chiarire determinate istruzioni o aggiungere ulteriori dettagli.

Avvertenze

Per evitare possibili lesioni gravi all'operatore e al paziente, l'operatore dovrà notare le avvertenze seguenti:

1. Prima di utilizzare il dispositivo, leggere attentamente il presente manuale e conoscere bene il suo contenuto.
2. In base alla legge federale (USA), questo dispositivo può essere venduto solo da un medico o dietro prescrizione medica.
3. Disimballare con cautela il dispositivo e verificare che non si siano verificati danni durante il trasporto.
4. Questo dispositivo non è sterilizzato e quindi non deve essere posizionato nel campo sterile.
5. Non appoggiare il dispositivo o altri oggetti pesanti sul cavo di alimentazione. Il cavo elettrico danneggiato può provocare incendio o scossa elettrica.
6. Per evitare il rischio di scosse elettriche, non rimuovere le protezioni sulla corona.
7. Non utilizzare questo dispositivo nei pressi di altri dispositivi o collocato sopra di essi. Qualora sia assolutamente necessario utilizzare il dispositivo in suddette condizioni, verificarne il corretto funzionamento nella configurazione di utilizzo prescelta.
8. Testare questo dispositivo prima di una procedura chirurgica. Questo dispositivo è stato completamente verificato in fabbrica prima della spedizione.
9. Non tentare di effettuare riparazioni interne o regolazioni non indicate in questo manuale. Accertarsi che le regolazioni e/o le modifiche e/o le riparazioni vengono eseguite da persone autorizzate da Stryker Endoscopy.
10. Non infilare oggetti nel pannello. Se ciò si verificasse, scollegare il dispositivo e farlo controllare da personale qualificato prima di utilizzarlo nuovamente.
11. Se il dispositivo è utilizzato con un alimentatore nell'ambiente di cura, utilizzare le dovute precauzioni per evitare il contatto con i fluidi.
12. L'uso di cavi e/o altri accessori con questo dispositivo, diversi da quelli indicati, può risultare in un aumento delle emissioni o in una riduzione dell'immunità del dispositivo.

Precauzioni

1. Collegare il dispositivo a un adattatore CA connesso al cavo di alimentazione ad uso ospedaliero per assicurare che sia inserito in una presa di alimentazione dotata di conduttore a terra per ottenere l'affidabilità della messa a terra.
2. Non sterilizzare il dispositivo, in quanto i delicati componenti elettronici non sono in grado di sopportare questa procedura.
3. Usare solo la linea di rete del display chirurgico originale per il display. Fissare bene il collegamento tra il cavo di alimentazione CC e il cavo di prolunga.
4. Non fare mai funzionare il dispositivo immediatamente dopo averlo trasferito da un luogo freddo a uno caldo.
5. Per collegarsi a un alimentatore internazionale, usare una presa di collegamento appropriata per la presa di alimentazione, come indicato nella sezione "Caratteristiche tecniche" di questo manuale.
6. Scollegare il dispositivo se non deve essere usato per un lungo periodo di tempo. Per scollegare il cavo, svitare la spina quindi estrarre il cavo dalla presa. Non tirare mai il cavo.
7. Non esporre il dispositivo all'umidità o applicare liquidi detergenti direttamente sullo schermo. Spruzzare la soluzione detergente su un panno morbido e pulire delicatamente. Per ulteriori dettagli, fare riferimento alla sezione "Pulizia e manutenzione" di questo manuale.
8. Lasciar circolare un'adeguata quantità d'aria per prevenire il riscaldamento interno dell'apparecchio. Non appoggiare il dispositivo su superfici (tappeti, coperte, ecc.) o vicino a materiali (tende) che potrebbero bloccare le aperture di ventilazione. Il dispositivo è raffreddato per convezione naturale ed è privo di ventola.
9. Non toccare il paziente con i connettori d'ingresso o di uscita del segnale. Le apparecchiature con connettori SIP/SOP devono essere conformi alle norme nazionali unificate IEC 60601-1 e/o IEC 60601-1-1 oppure è necessario valutare la combinazione per motivi di sicurezza.
10. Per assicurare la compatibilità elettromagnetica, consultare la sezione "Compatibilità elettromagnetica" del presente manuale. Il display LED VisionPro 26" (0240-031-020) e il display LED VisionPro SYNK 26" Wireless (0240-031-000) devono essere installati e messi in funzione secondo le informazioni EMC contenute in questo manuale.
11. Prestare estrema attenzione alle istruzioni di pulizia di questo manuale. In caso contrario il dispositivo potrebbe venire danneggiato.
12. Non installare il dispositivo dove possa essere colpita dalla luce solare, da polvere eccessiva o sottoposta a colpi o vibrazioni meccaniche.
13. Non posizionare il dispositivo in maniera che poi risulti difficile lo scollegamento del cavo dall'alimentazione di rete.
14. Non far funzionare con lo schermo del dispositivo in vetro rivolto verso il basso.

15. Maneggiare il dispositivo con cura. Non colpire o graffiare lo schermo.
16. Cambiamenti o modifiche non approvate esplicitamente dal responsabile della conformità potrebbero invalidare la facoltà dell'utente all'utilizzo del dispositivo.
17. **Nota: Questa apparecchiatura è stata testata e riscontrata conforme ai limiti per i dispositivi digitali di Classe B, ai sensi della Parte 15 delle norme FCC. Tali limiti mirano a fornire una sufficiente protezione dalle interferenze dannose in una installazione residenziale. Questo dispositivo genera, usa e può irradiare energia a radiofrequenza e, se non installata e usata in base alle istruzioni, può causare dannose interferenze alle comunicazioni radio. Non esiste alcuna garanzia che le interferenze non si verifichino in una particolare installazione; per determinare la presenza di interferenze, accendere e spegnere il dispositivo. Si consiglia di tentare di eliminare l'interferenza attraverso una o più delle seguenti misure:**
 - Riorientare o riposizionare il dispositivo ricevente.
 - Aumentare la distanza di separazione fra il dispositivo e altri oggetti.
 - Collegare il dispositivo a una presa su un circuito differente da quello a cui l'altro o gli altri dispositivi sono collegati.
 - Consultare il fabbricante o chiamare il tecnico della manutenzione per ottenere assistenza.

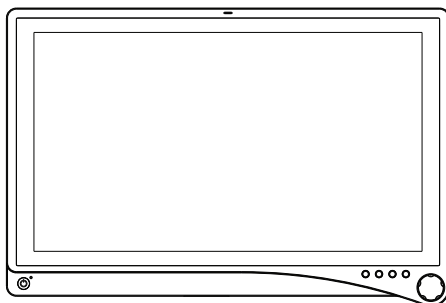
Il mancato rispetto di queste avvertenze e di questi avvisi invalida la garanzia.

Questo prodotto contiene apparecchiature elettriche ed elettroniche da smaltire. Non va smaltito nel sistema di raccolta comunale collettivo ma separatamente.

Informazioni sul dispositivo

Display LED VisionPro 26"

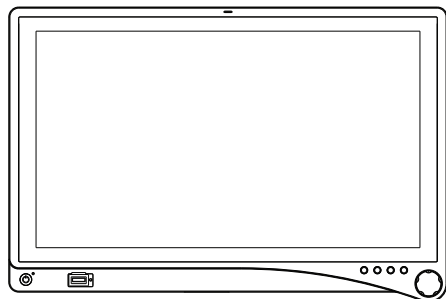
REF: 0240-031-020



Il display LED VisionPro 26" è un display chirurgico con schermo ampio LED che supporta una risoluzione massima WUXGA (1920x1200). Il display supporta i seguenti ingressi video, incluso RGB digitale, RGB analogico, interfaccia digitale seriale (SDI), video composito (YPbPr/RGBS), S-video e C-video/SOG. Supporta anche la comunicazione seriale tramite la porta RS232.

Display LED VisionPro SYNK 26" Wireless

REF: 0240-031-000



Il display LED VisionPro SYNK 26" Wireless può essere utilizzato con il trasmettitore SYNK opzionale (0240-031-010 o 0240-031-011) che consente di ricevere un segnale video ad alta definizione su un collegamento a radio frequenze.

Il display supporta i seguenti ingressi video: DVI, S-Video e C-Video/SOG. Una volta che la funzionalità wireless è attivata, il display supporta un ingresso video RGB digitale wireless. Il display supporta anche una porta USB e di comunicazione seriale tramite la porta RS232.

Nota: La funzionalità wireless del display LED VisionPro Synk 26" Wireless può essere attivata solo tramite il trasmettitore Synk.

Per i dettagli e le istruzioni su come utilizzare il trasmettitore wireless Synk e la funzionalità wireless del display LED VisionPro Synk 26" Wireless, fare riferimento al manuale del sistema Synk Wireless (P21693).

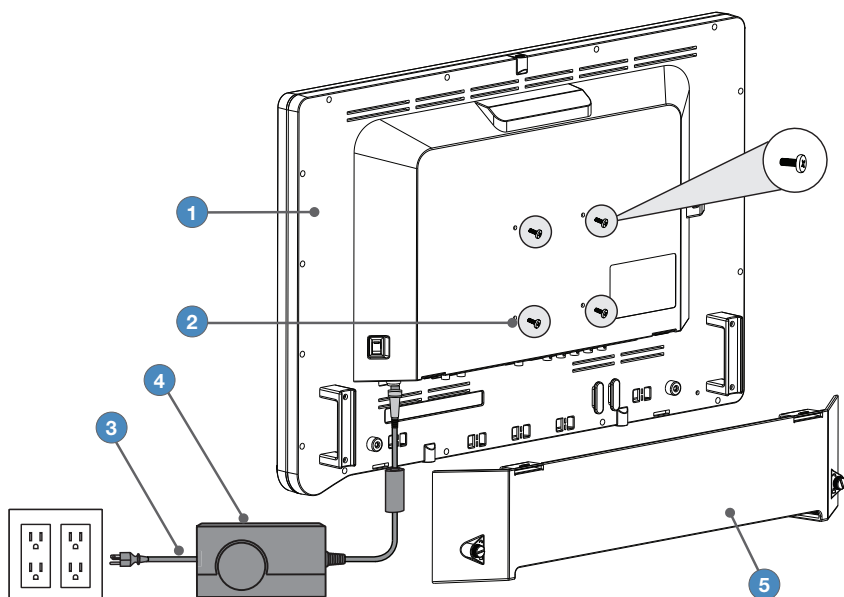
Uso previsto e indicazioni per l'uso

Il display LED VisionPro SYNK 26" Wireless e il display LED VisionPro 26" sono intesi per la visualizzazione video durante procedure chirurgiche incluso artroscopia (chirurgia ortopedica), laparoscopia (chirurgia generale e ginecologica), endoscopia (generale, gastroenterologica e ORL) e chirurgia generale. Il display è un dispositivo non sterile riutilizzabile non inteso per l'uso all'interno del campo sterile. Il display è inteso per l'uso da parte di medici qualificati in possesso delle conoscenze e delle nozioni necessarie all'impiego di queste procedure chirurgiche.

Controindicazioni

Non esistono controindicazioni note per questo dispositivo.

Contenuto della confezione



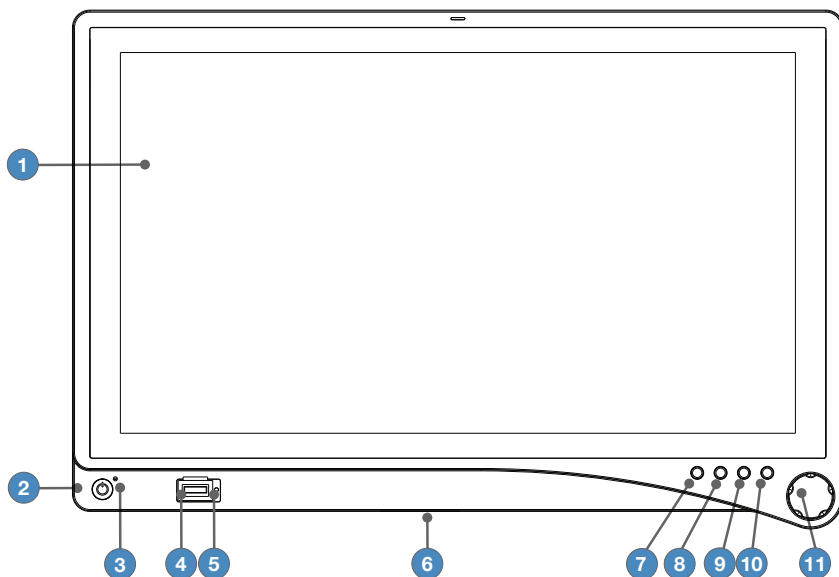
| Riferimento | Codice articolo | Contenuto della confezione |
|-------------|------------------------------|--|
| 1 | 0240-031-020 0240-031-000 | Display LED VisionPro 26" o VisionPro SYNK 26" Wireless |
| 2 | - | (4) Viti VESA M4 x 16 mm |
| 3 | - | Cavo di alimentazione CA per uso ospedaliero |
| 4 | 0240-031-004 | Alimentatore per uso medicale |
| 5 | - | Copricavi |

| Codice articolo | Accessori opzionali |
|-----------------|--|
| 0240-031-002 | Protezione dello schermo VisionPro 26" |
| 0240-031-004 | Alimentatore per uso medicale |
| 0240-031-010 | Trasmettitore wireless SYNK |
| 0240-030-951 | Cavo prolunga CC da 4,5 m (5 pin) |
| 0240-030-952 | Cavo prolunga CC da 23 m (5 pin) |

Caratteristiche del dispositivo

Pannello anteriore

Utilizzare il display con il comando a rotazione situato sul pannello frontale. Segue l'elenco dei comandi del display con le relative funzioni.



- | | |
|---|---|
| 1. Visualizzazione su schermo | Mostra l'immagine video. |
| 2. Interruttore alimentazione (a schermo) | Accende e spegne il display. |
| 3. LED di alimentazione | Indica lo stato corrente: Verde - il display è acceso o è in modalità screen saver Rosso lampeggiante - il display è in modalità sleep Giallo lampeggiante - Sovratensione o sottotensione |
| 4. Slot per token (solo display LED wireless VisionPro SYNK 26") | Sito di inserimento del token utilizzato per stabilire il collegamento senza fili con il trasmettitore. |
| 5. LED token (solo display LED wireless VisionPro SYNK 26") | Verde - Collegamento stabilito Ambra - Inizializzazione Ambra lampeggiante - Errore, contattare il rappresentante del servizio assistenza |
| 6. Collegamento ausiliario | Supporta il collegamento di dispositivi ausiliari |

7. Audio/PIP

Display LED VisionPro 26":

Accede al menu di regolazione Picture in Picture.

Display LED wireless VisionPro SYNK 26":

Premere due volte per accedere al menu di regolazione Picture in Picture.

Nota: la funzionalità audio non è attivata in questo momento.

8. Luminosità

Accede al menu di regolazione Luminosità.

9. Specializzazione

Accede al menu di regolazione Specializzazione.

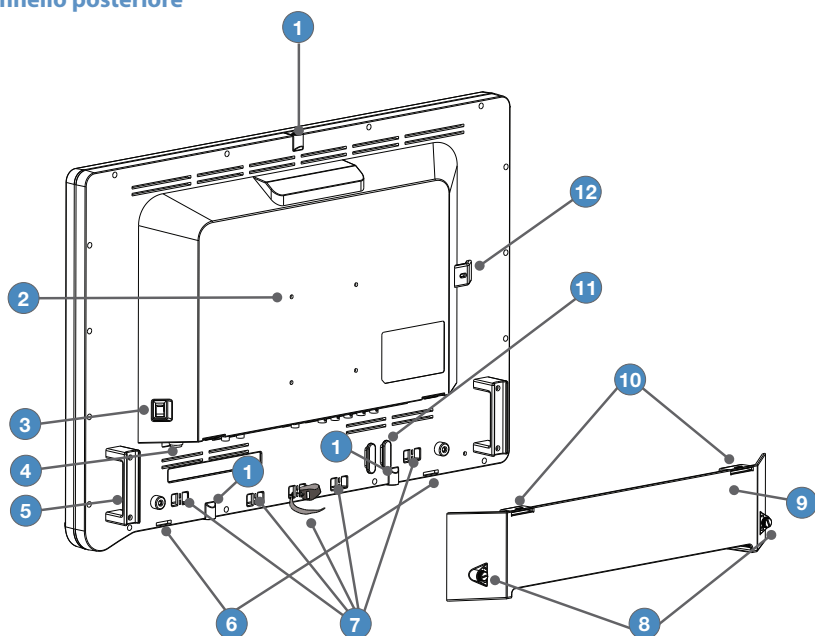
10. Ingresso

Accede al menu di selezione Ingresso.

11. Comando a rotazione

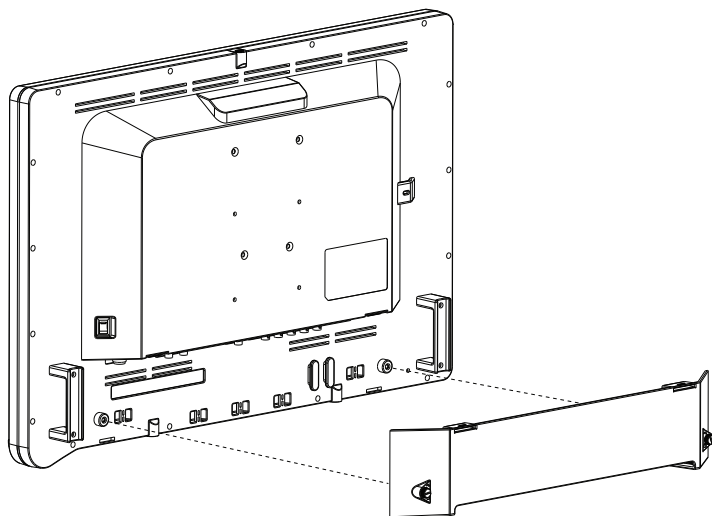
Accede alla visualizzazione su schermo e naviga tra le funzioni.

Pannello posteriore



- 1. Supporti degli accessori (3)** Fornisce un punto d'accesso per il montaggio di accessori opzionali.
- 2. Fori di montaggio VESA** Fornisce i punti di accesso per il montaggio del display.
- 3. Interruttore di alimentazione (Hard)** Accende e spegne l'alimentazione all'ingresso CC.
- 4. Connettore di alimentazione** Collega all'alimentatore 24 V CC.
- 5. Impugnatura** Facilita il posizionamento del display.
Attenzione: Le impugnature non sono destinate al sollevamento di tutto il peso del display.
- 6. Cerniere copricavi** Attaccare al display il fondo del copricavi.
- 7. Fascetta di velcro** Fascette per la gestione del cavo.
- 8. Viti copricavi** Consentono l'attacco del copricavi sul display e sono stretti o allentati con le dita.
- 9. Copricavi** Copre e nasconde i cavi.
- 10. Clip copricavi** Attaccare al display la parte superiore del copricavi.
- 11. Avvolgi cavo** Fornisce un'ubicazione per il riavvolgimento dei cavi.
- 12. Funzione di blocco** Il meccanismo o il cavo di blocco possono essere instradati qui a scopo di sicurezza.

Copricavi



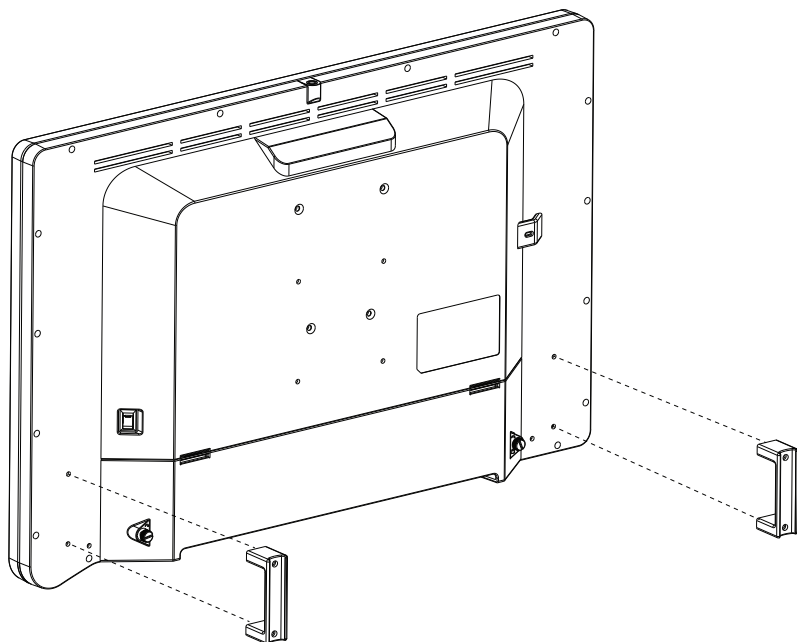
Installazione del copricavi

1. Allineare la cerniera sinistra e destra del copricavi in fondo sul retro dello schermo.
2. Spingere la sezione superiore del copricavi per allineare le clip.
3. Con le dita, girare in senso orario le viti in modo da stringere e chiudere il copricavi sul display.

Disinstallazione del copricavi

1. Con le dita, girare le viti in direzione antioraria per allentarli.
2. Dopo aver completato lo svitamento, schiacciare i clip a sinistra e a destra e tirare il copricavi verso di sé.
3. Rimuovere il copricavi dalla cerniera sinistra e destra.

Impugnature del display



Attenzione: Le impugnature sono intese per facilitare il posizionamento del display, non per il trasporto. Il sollevamento di tutto il peso del display con le impugnature non è previsto.

Rimozione delle impugnature del display

1. Usando una chiave esagonale da 3 mm, allentare le due viti M4 x 30 mm e allontanare l'impugnatura dal display con delicatezza.

Installazione delle impugnature del display

1. Allineare l'impugnatura con i fori delle viti sul retro del display.
2. Usando una chiave esagonale da 3 mm, installare le due viti M4 x 30 mm per attaccare l'impugnatura.

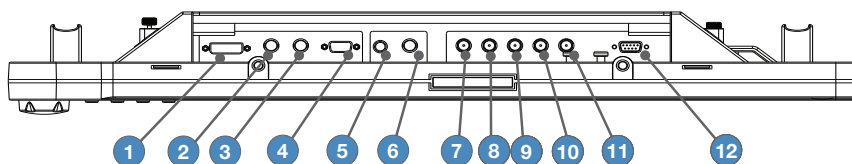
Impostazione

Stryker Endoscopy considera l'addestramento e l'assistenza in loco come parti integranti di questo dispositivo. Il rappresentante locale Stryker Endoscopy eseguirà almeno un intervento di assistenza in loco a discrezione del cliente per fornire assistenza nell'installazione del dispositivo e per istruire l'utente e lo staff su funzionamento e manutenzione. Per programmare un intervento di assistenza in loco, contattare il rappresentante locale di Stryker Endoscopy dopo l'arrivo del dispositivo.

Collegamenti

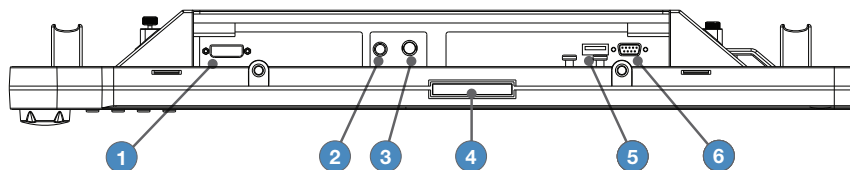
Porte di collegamento display LED VisionPro 26":

I segnali ingresso/uscita video sono collegati al retro del display come illustrato di seguito:



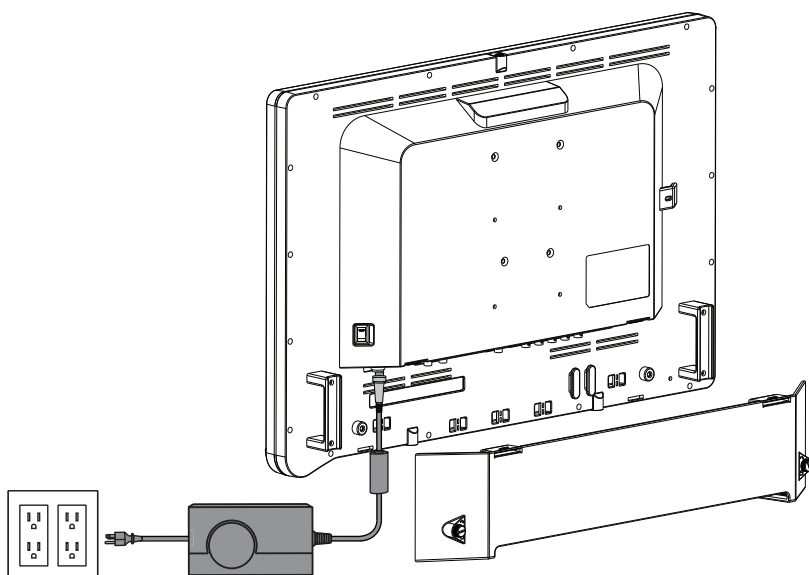
- | | |
|--------------------------|------------------|
| 1. DVI | 7. R/Pr |
| 2. Ingresso 3G/HD/SD SDI | 8. G/Y |
| 3. Uscita 3G/HD/SD SDI | 9. Pulsante B/Pb |
| 4. VGA | 10. H-sync |
| 5. S-Video | 11. V-sync |
| 6. C-Video/SOG | 12. RS232 |

Porte di collegamento display LED VisionPro SYNK 26" Wireless:



- | | |
|----------------|--------------------------|
| 1. DVI | 4. Connettore ausiliario |
| 2. S-Video | 5. USB |
| 3. C-Video/SOG | 6. RS232 |

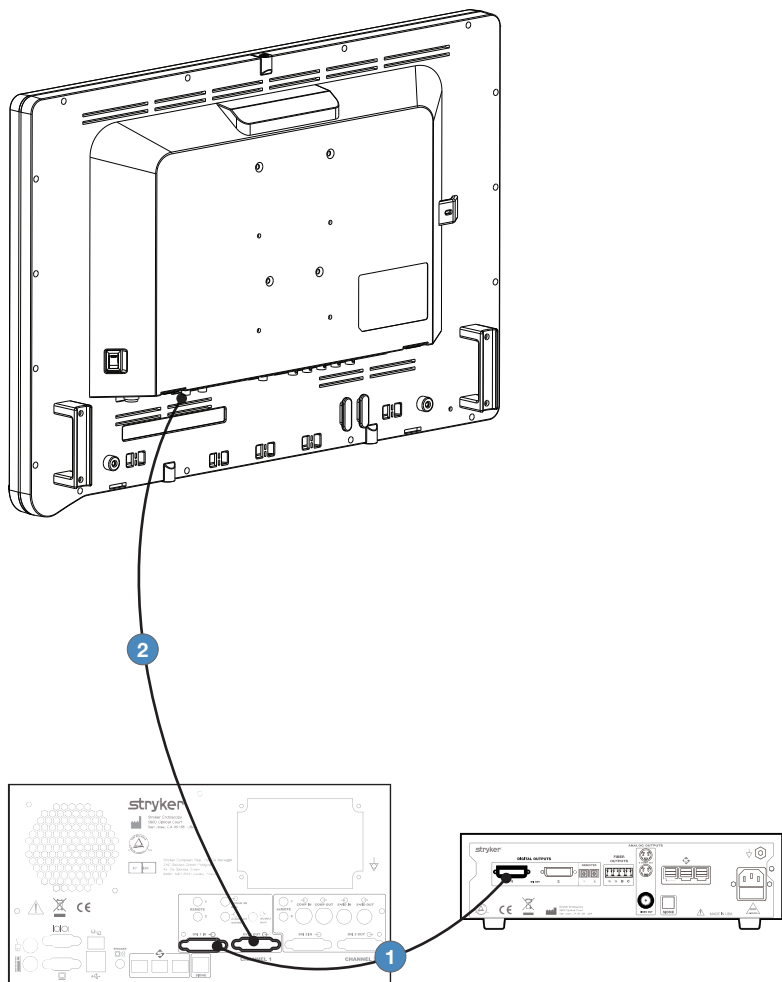
Collegare l'alimentatore



1. Collegare la rete di alimentazione all'ingresso 24V sul display.
2. Collegare il cavo di alimentazione CA alla rete di alimentazione*.
3. Collegare l'alimentazione CA, utilizzando il cavo di alimentazione di tipo ospedaliero in dotazione.
4. (Opzionale, non illustrato) Collegare una prolunga tra la rete di alimentazione e il display.
5. Installare il copricavi.

* Informazioni alimentatore Numero modello: BPM150S24F11, Produttore: Bridgepower Corp.

Impostazioni di base video



1. Instradare l'uscita video 1 dalla videocamera all'ingresso SDC DVI.
2. Instradare l'uscita video 1 dall'uscita SDC DVI all'ingresso DVI sul display.

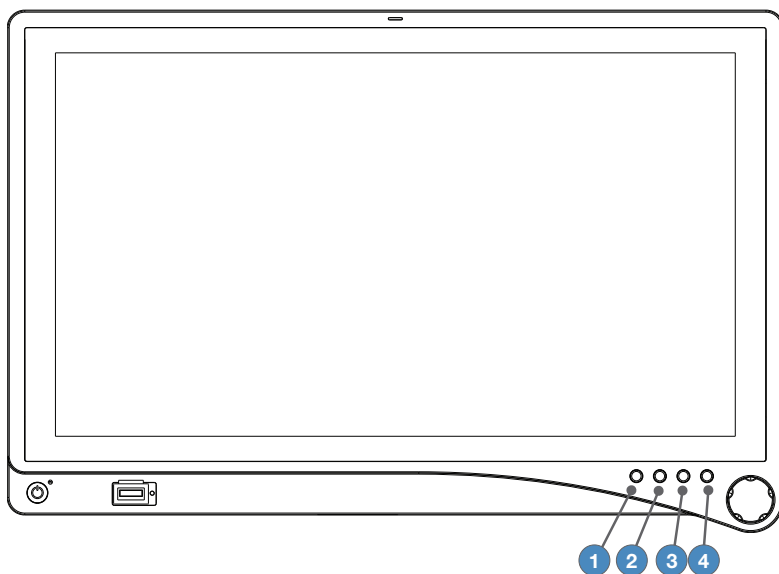
Nota: Stryker raccomanda una connessione di backup per la fotocamera.

Funzionamento

Utilizzare il display con il comando a rotazione e i quattro pulsanti situati sul pannello frontale. Segue l'elenco dei comandi del display con le relative funzioni.

Visualizzazione su schermo (OSD)

Come accedere alla visualizzazione su schermo



Per usare i quattro pulsanti del pannello frontale:

- 1. Audio/PIP (Display LED VisionPro SYNK 26" Wireless):**
 - Premere due volte per attivare il modo dell'immagine (Picture in Picture, Picture by Picture, Picture on Picture).
- 2. PIP (Display LED VisionPro 26"):**
 - Premere per attivare il modo dell'immagine (Picture in Picture, Picture by Picture, Picture on Picture).
- 3. Luminosità:** Attiva il menu di regolazione Luminosità.
- 4. Specialità:** Attiva il menu di regolazione Specialità.
- 5. Ingresso:** Attiva il menu di selezione Ingresso.

Usare il comando a rotazione per navigare all'interno del menu a schermo in seguito all'attivazione.

- **Premere** — Accede/seleziona il menu di visualizzazione su schermo.
- **Ruotare a destra/sinistra** — Con il menu di visualizzazione su schermo disattivato, aumenta/diminuisce il valore del parametro selezionato.
- **Tenere premuto** — Esce dal menu di visualizzazione su schermo.

Utilizzare il menu di visualizzazione su schermo

L'OSD facilita la navigazione tra vari menu del dispositivo.

1. Premere il **Comando a rotazione** per passare al menu OSD.
2. Ruotare **Comando a rotazione** per spostarsi in alto o in basso tra le opzioni del menu. Il parametro selezionato è evidenziato.
3. Premere il **Comando a rotazione** per passare all'OSD del successivo livello.
4. Ruotare il **Comando a rotazione** per aumentare o diminuire il valore del parametro selezionato o per selezionare le varie opzioni.
5. Per uscire dal menu OSD di secondo o terzo livello, selezionare l'opzione Exit (Esci). Per uscire completamente dall'OSD, tenere premuto il **Comando a rotazione**. Se non è premuto alcun tasto, si effettuerà automaticamente l'uscita dall'OSD dopo un tempo predefinito (personalizzabile).

Menu OSD

Speciality (Specialità)

| Voce di menu | Descrizione | Intervallo |
|--|---|--------------------------------|
| Color Temperature* (Temperatura del colore) | Sceglie tra le temperature di colore per Lap A (Laparoscopia A), Lap B (Laparoscopia B), Arthro A (Artroscopia A), Arthro B (Artroscopia B), Standard, PACS, NORM (Normale), ENT (Otorinolaringoiatria), GYN (Ginecologia). | — |
| Red (Rosso) | Bilanciamento del rosso | -128 – 127 |
| Green (Verde) | Bilanciamento del verde | -128 – 127 |
| Blue (Blu) | Bilanciamento del blu | -128 – 127 |
| Gamma | Valore gamma | da 0,1 a 2,5, S0, S1, S2 |

* La temperatura colore RGB è disponibile solo per le impostazioni Standard, Arth (Artroscopia) o Lap (Laparoscopia). PACS e Norm (Normale) disponibili solo con ingresso SOG.

Audio (Menu non attivo in questo momento)

Brightness Settings (Impostazioni della luminosità)

| Voce di menu | Descrizione | Intervallo |
|---|--|------------|
| Brightness (Luminosità) | Aumenta o diminuisce la luminosità | 0 – 100 |
| Contrast (Contrasto) | Aumenta o diminuisce il contrasto | 0 – 100 |
| Phase** (Fase) | Aumenta o diminuisce il livello di fase | 0 – 100 |
| Chroma** (Saturazione) | Aumenta o diminuisce il livello di saturazione | 0 – 100 |
| Image Sharpness (Nitidezza immagine) | Imposta la nitidezza dell'immagine | 1 – 10 |
| Video Sharpness** (Nitidezza video) | Aumenta o diminuisce il livello di nitidezza video | 0 – 100 |

** Disponibile solo con ingressi video SDI, S o C.

Image Effect (Effetto immagine)

| Voce di menu | Descrizione |
|--------------------------------------|--|
| Scale Mode (Modalità formato) | Consente la selezione del formato tra Schermo intero, Riempimento verticale, Riempimento orizzontale, 1:1 o Riempimento a seconda del rapporto aspetto |
| Freeze Frame (Fermo immagine) | Abilita o disabilita il fermo immagine |
| PIP | Abilita la funzione PIP (Picture in Picture) |
| POP | Abilita la funzione POP (Picture on Picture) |
| PBP | Abilita la funzione PBP (Picture by Picture) |

Advanced Settings (Impostazioni avanzate)

| Voce di menu | Descrizione |
|---|---|
| Key lock (Blocco tasti) | Blocco tasti attivo: Disabilita tutte le funzioni dei tasti Premere e mantenere premuta la manopola della rotazione per disattivare il blocco tasti. |
| Auto Source Select (Selezione automatica sorgente) | Effettua la scansione degli ingressi fino all'individuazione di una sorgente video attiva. Selezione automatica sorgente è disabilitata durante PIP/POP/PBP. |
| Sleep Timer (Timer sospensione) | On (Accensione): Quando nessuna sorgente video attiva viene individuata, il display accede alla modalità di sospensione. |
| | Off (Spegnimento): Il display non accede alla modalità di sospensione. |
| | Timer: Quando nessuna sorgente video attiva viene individuata, imposta il tempo che trascorre fino all'accesso alla modalità di sospensione da parte del display. |
| OSD Control (Controllo OSD) | Controlla posizione, sfondo e temporizzazione del menu OSD (On Screen Display, Display sullo schermo) |
| Restore Factory Settings (Ripristina impostazioni di fabbrica) | Imposta i valori predefiniti di fabbrica |

| Voce di menu | Descrizione | |
|---|---|---|
| Screen Control (Comando schermo) | VGA | <ul style="list-style-type: none"> • Orizzontale • Verticale • Fase • Frequenza |
| | S-Video, C-Video, SOG, RGBs, Component (Componente) | <ul style="list-style-type: none"> • Orizzontale • Verticale |

SYNK (per il display LED VisionPro SYNK 26" Wireless):

| Stato | Descrizione |
|---|---------------|
| RX APP: XX.XX.XX RX MAC: XX.XX.XX.XX | Recevitore |
| TX APP: XX.XX.XX TX MAC: XX.XX.XX.XX | Trasmittitore |
| WiFi SW: XXX-X.XX SEGNALE= Eccellente, buono, scarso Regione predefinita: XXX FREQ: XXXX MHz | Trasmittitore |

Information (Informazioni)

| Voce di menu | Descrizione |
|---|---|
| User Name Entry (Immissione nome utente) | Immette il nome utente personalizzato da visualizzare sul display di inizializzazione |
| Serial Number (Numero di serie) | Visualizza il numero seriale del dispositivo |
| Runtime | Visualizza il tempo totale di esecuzione attuale del dispositivo |
| Input Format (Formato immagine) | Visualizza il formato di immissione attuale |

Nota: I valori di visualizzazione reali su schermo possono variare in base alle versioni aggiornate del firmware e delle impostazioni utente.

Risoluzione dei problemi

Prima di inviare il display all'assistenza, consultare l'elenco della risoluzione dei problemi qui di seguito:

| Problema | Stato attuale | Rimedio | |
|--|--|---|--|
| Nessuna immagine | LED di alimentazione acceso | Usando il menu OSD, regolare la luminosità e il contrasto al massimo o ripristinare i valori predefiniti. | |
| | LED di alimentazione spento | Verificare che l'interruttore di alimentazione sul pannello anteriore e posteriore del display sia acceso. | |
| | | Verificare che il cavo di alimentazione CA sia correttamente collegato all'adattatore CA e all'uscita | |
| | | Accertarsi che l'alimentazione sia connessa e funzioni correttamente. | |
| LED di alimentazione lampeggiante | Rosso | Il display è in modalità di sospensione. Premere un tasto qualsiasi per riattivare il display. | |
| | Ambra | L'alimentazione può essere in sovratensione o sottotensione. | |
| Immagine anomala | Video troppo grande o troppo piccolo; mancante; centro spostato. | Usando Screen Menu di controllo dello schermo regolare le impostazioni Fase, Frequenza, Orizzontale e Verticale in modo da regolare l'immagine sul display. | |
| | | Regolare le impostazioni del formato | |
| | | Esclusivamente per l'ingresso VGA: tenere premuto il comando rotazione per 1 – 2 secondi per sincronizzare nuovamente l'alimentazione video. | |
| | | Attendere alcuni secondi dopo la sincronizzazione iniziale dei segnali video o spegnere e riaccendere il display. | |
| Messaggio di errore OSD | "Out of Range" (Fuori dall'intervallo) | Verificare che sia stata collegata una fonte video accettabile. | |
| LED del token lampeggia di colore giallo | Errore | Rivolgersi al rappresentante del servizio assistenza. | |

Pulizia e manutenzione



Avvertenza

Per evitare folgorazione e infortuni potenzialmente mortali, scollegare il display e l'alimentazione dalla presa di corrente prima di eseguire operazioni di pulizia.

Attenzione

- Non nebulizzare liquido detergente direttamente sul display o sull'alimentazione, in quanto potrebbero verificarsi danni al prodotto. Nebulizzare sul panno prima di procedere alla pulizia dell'unità.
- Non immergere il display o l'alimentazione in liquidi per evitare di danneggiarli.
- Per pulire il display o l'alimentazione non utilizzare soluzioni detergenti corrosive per evitare di danneggiarla.
- Non sterilizzare il display o l'alimentazione per evitare possibili danni.

Pulizia

Per pulire il display o l'alimentazione:

1. Se è presente la protezione dello schermo, rimuoverla prima di eseguire la pulizia.
2. **Per il display LED VisionPro SYNK 26" Wireless:** Assicurarsi di posizionare il coperchio sullo slot del token prima della pulizia.
3. Applicare un disinfettante standard o un detergente delicato su di un panno asciutto e sterile.
4. Pulire il display o l'alimentazione.
5. Usare estrema cautela nel pulire il display anteriore. Liquido in eccesso o gocce che penetrano nella parte inferiore dello schermo o nella presa di alimentazione potrebbe comportare danni al prodotto.

Ispezione

Ispezionare sempre il prodotto prima dell'uso. In presenza di una delle seguenti condizioni, fare riferimento alla sezione Risoluzione dei problemi del presente documento. Se le prestazioni del prodotto continuano a essere insoddisfacenti, interrompere l'uso e contattare il rappresentante Stryker.

- Nessuna immagine visualizzata, immagine anomala o qualità dell'immagine inaccettabile
- Mancata accensione
- Funzionalità del pulsante e/o della manopola inappropriata o assenza di risposta
- Notevoli danni fisici a display o accessori, tra cui nitidezza dello schermo inaccettabile, rivestimenti danneggiati, corrosione, rumori anomali, rottura dei cavi, cavi esposti e/o danni che impediscono un'interfaccia di montaggio stabile
- Il LED di alimentazione lampeggia in giallo

Vita utile prevista

La vita utile del dispositivo e dei relativi accessori è in gran parte determinata dall'usura, dai metodi di pulizia e da eventuali danni derivanti dall'uso. Per prolungare il periodo che intercorre tra gli interventi di manutenzione del dispositivo, attenersi sempre alle istruzioni per la cura e la manipolazione riportate nel presente manuale d'uso.

Smaltimento



In accordo con la Direttiva europea 2012/19/UE sui rifiuti di apparecchiature elettriche ed elettroniche (RAEE) e successive modifiche, il prodotto e i suoi accessori devono essere smaltiti in modo differenziato per il riciclaggio. Non smaltire tra i normali rifiuti indifferenziati. Contattare il distributore locale per informazioni sullo smaltimento. Prima di procedere al riciclaggio, assicurarsi che l'apparecchiatura infetta venga pulita secondo la sezione Pulizia delle presenti IFU e delle IFU relative agli accessori del dispositivo.

Smaltire gli accessori del sistema secondo le normali prassi istituzionali relative ai materiali potenzialmente contaminati.

Segnalazione di eventi avversi

Eventuali incidenti gravi verificatisi in relazione a questo dispositivo devono essere segnalati a Stryker e, nell'Unione europea, all'autorità competente dello Stato membro in cui risiede la persona interessata.

Specifiche tecniche

Display

| | |
|--|---|
| Pannello display LCD | Diagonale di 26" (661 mm) (LCD a matrice attiva a-Si TFT) |
| Sincronizzazione | Sincronizzazione separata 2,5 – 5,0 Vpp |
| Passo dei pixel | 0,300 (H) x 0,300 (V) mm |
| Tempo di risposta | < 18 ms Tipo |
| Angolo visivo | Destra/Sinistra/Su/Giù 89 gradi |
| Colori di visualizzazione | 1 miliardo di colori (10 bit) |
| Risoluzione nativa | 1920 (H) punti x 1080 (V) righe |
| Segnali display LED VisionPro 26" | DVI, VGA, 3G/HD/SD-SDI (In/Out), C-Video/SOG, S-Video, Component(Componente)/RGB (Y/G, Pb/B, Pr/R, HS, VS), RS232 |
| Segnali display LED VisionPro SYNK 26" Wireless | RGB, DVI, S-Video, C-Video/SOG, RS232 e USB wireless digitale |
| Pixel clock massimo | 165 MHz |

Valori elettrici

| | |
|---|---|
| Adattatore di alimentazione | Ingresso: 100 – 240 VCA; 50 – 60 Hz; 2,5 A (2,5A - 1,5A) Uscita: 24 V CC; 6,25 A (150 W Max) Numero modello: BPM150S24F11 |
| Potenza assorbita (approssimativa) | 35 – 65 Watt |

Corrente/Tensione nominale

Accertarsi che il cavo di alimentazione sia conforme ai regolamenti e agli standard applicabili.

| | |
|--|--|
| Prese di alimentazione 110V +/- 10V | Selezionare un cavo di alimentazione elencato UL e certificato C.S.A.; tipo SJT o SVT, conduttori, 18 AWG, terminato su di un cappuccio per spina per uso ospedaliero da 110 V +/- 10 V, 15 A, con una lunghezza minima di 1,8 m. |
| Prese di alimentazione 220V +/- 20V | Selezionare un cavo di alimentazione per uso internazionale con marchio "<HAR>", 3 conduttori, cavo minimo di 0,75 mm ² , 220 V +/- 20 V, 10 A con camicia isolata in PVC. Il cavo deve disporre di un cappuccio modellato per spina da 220 V +/- 20 V, 10 A. Il cavo e il cappuccio devono essere adatti all'utilizzo in campo medico. |

Dimensioni

| | |
|--|-----------------------|
| Dimensioni (L × A × P) | 660,4 × 442 × 86,4 mm |
| Peso (approssimativo) | 8,3 kg |
| Interfaccia supporto VESA | VESA 100 × 100 mm |

Condizioni di funzionamento

| | |
|--|------------|
| Intervallo di temperature | 10 – 40 °C |
| Intervallo di pressione atmosferica | 25 – 75% |

Condizioni per il trasporto e la conservazione

| | |
|--|-------------|
| Intervallo di temperature | -18 – 60 °C |
| Intervallo di pressione atmosferica | 15 – 90% |

Classificazione e autorizzazioni

Apparecchiatura di Classe 1

Apparecchiatura medica conforme unicamente alle norme UL 60601-1 e CAN/CSA C22.2 N. 601.1 per quanto riguarda i pericoli derivanti da scosse elettriche, incendi e parti meccaniche.

IP23: Protezione contro l'accesso a parti pericolose dalle dita od oggetti simili, protezione dall'ingresso o spruzzi d'acqua (meno di 60° verticalmente).

Funzionamento continuo

Conformità

Normative FCC

Display LED VisionPro 26":

FCC Parte 15 Classe B

Identificatore FCC: QVXAMM261WTDS

Display LED wireless VisionPro SYNK 26":

FCC Parte 15 Classe B

Identificatore FCC: QVXAMM261WTDSW

FCC Parte 15 Classe C

Identificatore FCC: SSH-SYNKRX (Scheda ricevitore)

Identificatore FCC: SSH-SDMAN (Scheda accessoria)

Normative IC

Display LED wireless VisionPro SYNK 26":

IC: 4919C-SYNKRX (Scheda ricevitore)

IC: 4919C-SDMAN (Scheda accessoria)

Nota: Per informazioni su modifiche e prodotti nuovi, contattare il rappresentante locale Stryker Endoscopy.

Compatibilità elettromagnetica

Come altri dispositivi simili, il display LED VisionPro 26" e il display LED VisionPro SYNK 26" Wireless necessitano di particolari precauzioni per assicurare la compatibilità elettromagnetica con altri dispositivi elettromedicali. Per assicurare la compatibilità elettromagnetica (EMC), il display deve essere installato e utilizzato secondo le informazioni EMC contenute in questo manuale. Il display è stato progettato e verificato per la conformità ai requisiti IEC 60601-1-2 per la compatibilità elettromagnetica con altre apparecchiature.

Nota: L'apparecchiatura è indicata per l'uso in un ambiente sanitario professionale. Non va utilizzata in una stanza che presenta una schermatura contro RF di un sistema elettromedicale per la risonanza magnetica, in cui l'intensità dei disturbi EM è elevata.

Nota: È improbabile che l'apparecchiatura sia soggetta a interferenze dovute a strumenti chirurgici ad alta frequenza (HF) nel caso particolare in cui questa si trovi in prossimità di uno strumento chirurgico ad alta frequenza in funzione. In caso di interferenza con strumenti chirurgici ad alta frequenza, regolare la distanza di separazione dell'apparecchiatura.



Avvertenza

Quando questo dispositivo è interconnesso con altre apparecchiature elettriche, le correnti di dispersione potrebbero sommarsi. Per ridurre al minimo la corrente di dispersione totale per paziente, accertarsi che tutti i sistemi siano installati sulla base dei requisiti della norma IEC 60601-1-1.

Attenzione

Le apparecchiature di comunicazione a radio frequenze (RF) portatili e mobili possono incidere sul normale funzionamento del display. Non utilizzare cavi o accessori diversi da quelli forniti con il display per non causare maggiori emissioni elettromagnetiche o minore immunità a tali emissioni.

Se il display viene utilizzato in prossimità di altra apparecchiatura o sopra altra apparecchiatura, osservare e verificare il normale funzionamento del display nella configurazione in cui verrà usato prima di utilizzarlo in una procedura chirurgica. Per informazioni sul posizionamento del display, consultare le tabelle riportate di seguito.


| Indicazioni e dichiarazione del produttore: emissioni elettromagnetiche | | |
|---|------------|---|
| Il display LED VisionPro 26" e il display LED VisionPro SYNK 26" Wireless sono indicati per l'uso in ambiente elettromagnetico come di seguito specificato. Accertarsi che venga utilizzato in tale ambiente. | | |
| Test di emissione | Conformità | Ambiente elettromagnetico - indicazioni |
| CISPR emissioni RF 11 | Gruppo 1 | I display utilizzano energia RF solo per il funzionamento interno, pertanto le emissioni RF sono molto ridotte e non sono in grado di causare interferenze con altre apparecchiature elettroniche poste nelle vicinanze. |
| CISPR emissioni RF 11 | Classe B | I display sono idonei per l'uso in tutte le strutture, a eccezione di quelle domestiche e quelle direttamente collegate con la rete di alimentazione elettrica pubblica a bassa tensione che rifornisce le costruzioni utilizzate a scopi domestici, a condizione che venga osservata la seguente avvertenza: Avvertenza: Questo sistema deve essere utilizzato esclusivamente da operatori sanitari qualificati. Il sistema può causare interferenze radio o disturbare il funzionamento di apparecchiature vicine. Potrebbe essere necessario adottare misure per mitigare questi fenomeni, ad esempio ri-orientandolo, collocandolo in un'altra posizione o schermando il sito in cui si trova. |
| Emissioni armoniche IEC 61000-3-2 | Classe D | |
| IEC 61000-3-3 su fluttuazioni di tensione / emissioni con sfarfallamento | Conforme | |

| Linee guida e dichiarazione del produttore - Immunità elettromagnetica | | | |
|--|---|--|---|
| Il display LED VisionPro 26" e il display LED wireless VisionPro SYNK 26" sono destinati all'uso in un ambiente elettromagnetico come quello di seguito specificato. Il cliente o l'utente del display deve assicurarsi che venga utilizzato in tale ambiente. | | | |
| Test di immunità | Livello test IEC 60601 | Livello di conformità | Ambiente elettromagnetico - Linee guida |
| Scarica elettrostatica (ESD) IEC 61000-4-2 | ± 8 kV a contatto ± 15 kV in aria | ± 8 kV a contatto ± 15 kV in aria | I pavimenti devono essere in legno, cemento o ceramica. Se i pavimenti sono ricoperti di materiale sintetico, l'umidità relativa deve essere almeno del 30%. |
| Transitori elettrici veloci/burst IEC 61000-4-4 | ± 2 kV per linee di alimentazione elettrica ± 1 kV per linee di ingresso/uscita (se applicabile) | ± 2 kV da linea a terra ± 1 kV da linea a linea (se applicabile) | La qualità dell'alimentazione di rete deve essere quella di un tipico ambiente ospedaliero o commerciale. |
| Sovratensione momentanea IEC 61000-4-5 | ± 1 kV modalità differenziale ± 2 kV modalità comune | ± 1 kV modalità differenziale ± 2 kV modalità comune | La qualità dell'alimentazione di rete deve essere quella di un tipico ambiente ospedaliero o commerciale. |
| Cadute di tensione, brevi interruzioni e variazioni di tensione sulle linee d'ingresso dell'alimentazione elettrica IEC61000-4-11 | 0% U_t , 0,5 cicli 0% U_t , 1 ciclo 70% U_t , 25 cicli 0% U_t , 5 secondi | 0% U_t , 0,5 cicli 0% U_t , 1 ciclo 70% U_t , 25 cicli 0% U_t , 5 secondi | La qualità dell'alimentazione di rete deve essere quella di un tipico ambiente ospedaliero o commerciale. Se è necessario il funzionamento continuo del trasmettitore durante eventuali interruzioni dell'alimentazione, si consiglia di alimentarlo mediante un gruppo di continuità o una batteria. |
| Campo magnetico alla frequenza di rete (50/60 Hz) IEC 61000-4-8 | 30 A/m | 30 A/m | I campi magnetici alla frequenza di rete devono essere compresi nei livelli caratteristici per una normale collocazione in ambiente commerciale o ospedaliero tipico. |
| Nota: U_t è la tensione di rete CA prima dell'applicazione del livello di test. | | | |

Linee guida e dichiarazione del produttore: immunità elettromagnetica

Il display LED VisionPro 26" e il display LED wireless VisionPro SYNK 26" sono destinati all'uso in un ambiente elettromagnetico come quello di seguito specificato.

Il cliente o l'utente del display deve assicurarsi che venga utilizzato in tale ambiente.

| Test di immunità | Livello test IEC 60601 | Livello di conformità | Ambiente elettromagnetico - Linee guida |
|-------------------------------|-------------------------------|-----------------------|--|
| RF condotta IEC 61000-4-6 | 3 Vrm Da 150 kHz a 80 MHz | 3 V | Non utilizzare apparecchiature di comunicazione RF portatili e mobili in prossimità di alcun componente dei display, cavi inclusi, a una distanza inferiore alla distanza di separazione raccomandata calcolata mediante l'equazione applicabile alla frequenza del trasmettitore. Distanza di separazione raccomandata: $d = 2\sqrt{P}$ da 80 MHz a 2,7 GHz dove P è la potenza massima in uscita nominale del trasmettitore in watt (W) dichiarata dal produttore del trasmettitore e d la distanza di separazione raccomandata in metri (m). Le intensità di campo dei trasmettitori RF fissi, determinate da una perizia elettromagnetica del sito (a), devono essere inferiori al livello di conformità in ciascuna gamma di frequenza (b). Potrebbero verificarsi interferenze in prossimità delle apparecchiature contrassegnate con il seguente simbolo:  |
| RF irradiata IEC 61000-4-3 | 10 V/m Da 80 MHz a 2,7 GHz | 10 V/m | |

(a) Le intensità di campo dai trasmettitori fissi, quali stazioni base per radiotelefoni (cellulari o cordless), stazioni radio mobili terrestri, radio amatoriali, trasmissioni radio AM e FM e trasmissioni televisive non possono essere previste con precisione. Per valutare l'ambiente elettromagnetico di trasmettitori RF fissi, occorrerà prendere in considerazione la possibilità di un rilievo elettromagnetico del sito. Se l'intensità di campo misurata nel luogo in cui verrà utilizzato il display LED VisionPro 26" e il display LED VisionPro SYNK 26" Wireless superano il livello applicabile di conformità delle radiofrequenze riportato in precedenza, verificare attentamente che il display e il trasmettitore funzionino correttamente. Se viene rilevato un funzionamento anomalo, può essere necessario adottare ulteriori precauzioni, ad esempio riorientare o riposizionare il display.

(b) Oltre l'intervallo di frequenza compreso tra 150 kHz e 80 MHz, le intensità di campo dovrebbero essere inferiori a 3 V/m.

| Specifiche testate per immunità ad apparecchi di comunicazione RF wireless | | | | | | |
|--|-------------|---|------------------------------------|---------------------------|--------------|--------------------------------|
| Frequenza di prova (MHz) | Banda (MHz) | Servizio | Modulazione | Alimentazione massima (W) | Distanza (m) | Livello prova d'immunità (V/m) |
| 385 | 380 – 390 | TETRA 400 | Modulazione a impulsi 18 Hz | 1,8 | 0,3 | 27 |
| 450 | 430 – 470 | GMRS 460, FRS 460 | FM ±5 kHz di deviazione 1 kHz seno | 2 | 0,3 | 28 |
| 710 | 704 – 787 | Banda LTE 13, 17 | Modulazione a impulsi 217 Hz | 0,2 | 0,3 | 9 |
| 745 | | | | | | |
| 780 | | | | | | |
| 810 | 800 – 960 | GSM 800/900, TETRA 800, iDEN 820, CDMA 850, Banda LTE 5 | Modulazione a impulsi 18 Hz | 2 | 0,3 | 28 |
| 870 | | | | | | |
| 930 | | | | | | |
| 1720 | 1700 – 1990 | GSM 1800; CDMA 1900; GSM 1900; DECT; Banda LTE 1, 3 4, 25; UMTS | Modulazione a impulsi 217 Hz | 2 | 0,3 | 28 |
| 1845 | | | | | | |
| 1970 | | | | | | |
| 2450 | 2400 – 2570 | Bluetooth, WLAN, 802.11 b/g/n, RFID 2450, Banda LTE 7 | Modulazione a impulsi 217 Hz | 2 | 0,3 | 28 |
| 5240 | 5100 – 5800 | WLAN 802.11 a/n | Modulazione a impulsi 217 Hz | 0,2 | 0,3 | 9 |
| 5500 | | | | | | |
| 5785 | | | | | | |
| <p>Note: le apparecchiature di comunicazione RF portatili non devono essere usate a una distanza inferiore a 30 cm dal display LED VisionPro 26" e dal display LED wireless VisionPro SYNK 26". In caso contrario, potrebbe verificarsi una degradazione delle prestazioni.</p> | | | | | | |
| <p>Con la presente, Stryker dichiara che il display VisionPro SYNK 26" Wireless è conforme ai requisiti essenziali e ad altri requisiti rilevanti della direttiva 1999/5/CE. Una copia della dichiarazione di conformità può essere ottenuta da Stryker Endoscopy, 5900 Optical Court, San Jose, CA, 95138, USA.</p> | | | | | | |

Simboli e definizioni

I seguenti simboli sono presenti sul prodotto, sull'etichettatura e sulla confezione del prodotto. Ciascun simbolo indica una speciale definizione, come indicato qui di seguito:



Consultare le istruzioni per l'uso



All'attenzione del: vedere le Istruzioni per l'uso



Numero di serie



Quantità



Intervallo di temperature



Intervallo umidità



Rappresentante europeo autorizzato



Paese di origine



Numero di catalogo



Corrente continua



Data di produzione



Produttore legale



Conforme alle norme FCC Classe B e C a seguito di collaudo



Trasmissione senza fili



Le leggi federali statunitensi limitano la vendita di questo dispositivo a personale medico o provvisto di prescrizione medica.



Il dispositivo soddisfa i requisiti dell'Unione europea relativi ai dispositivi medici



Codice di riciclaggio del dispositivo (applicabile in Cina)



Marcatura obbligatoria per la Cina

IP23

L'allegato fornisce protezione contro:

- Accesso a componenti pericolose con le dita od oggetti simili
- Spruzzi d'acqua (meno di 60° verticalmente)



Conforme ai requisiti normativi australiani



Apparecchiatura medica conforme alle norme AAMI ES60601-1 e CSA C22.2 N. 60601-1-08-CAN/CSA relativamente a pericolo di scosse elettriche, incendi e parti meccaniche.



Questo prodotto contiene apparecchiature elettriche ed elettroniche da smaltire. Non va smaltito nel sistema di raccolta comunale collettivo ma separatamente.



Dispositivo medico nell'Unione europea

Índice

| | |
|---|---------------|
| Advertências e precauções | PT-125 |
| Acerca do dispositivo | PT-128 |
| Aplicação e indicações de utilização..... | PT-129 |
| Contra-indicações..... | PT-129 |
| Conteúdo da embalagem..... | PT-130 |
| Funções do dispositivo..... | PT-131 |
| Configuração | PT-136 |
| Ligações..... | PT-136 |
| Configuração básica de vídeo..... | PT-138 |
| Funcionamento | PT-139 |
| Visualização no ecrã (OSD)..... | PT-139 |
| Menus OSD..... | PT-141 |
| Resolução de problemas..... | PT-144 |
| Limpeza e manutenção | PT-145 |
| Especificações técnicas | PT-147 |
| Compatibilidade electromagnética | PT-150 |
| Símbolos e definições | PT-155 |

Advertências e precauções

Ler este manual e seguir cuidadosamente as respectivas instruções. As palavras advertência, precaução e nota revestem-se de significados especiais e exigem particular atenção:

Advertência: Indica medidas para evitar lesões graves no utilizador e no paciente.

Precaução: Indica riscos para o equipamento. O não cumprimento das precauções pode resultar em danos no produto.

Nota: Fornece informações especiais para clarificar instruções ou informações úteis adicionais.

Advertências

Para evitar lesões graves no utilizador e no paciente, ter em atenção as seguintes advertências:

1. Ler atentamente o presente manual e familiarizar-se com o seu conteúdo antes de utilizar este dispositivo.
2. A lei federal dos EUA limita a venda deste dispositivo por médicos ou mediante indicação de um médico.
3. Retirar cuidadosamente o dispositivo da embalagem e verificar se sofreu algum dano durante o transporte.
4. O dispositivo não está esterilizado e, por conseguinte, não deve ser colocado num campo estéril.
5. Evitar colocar o dispositivo ou qualquer outro objecto pesado sobre o cabo de alimentação. Quaisquer danos no cabo podem resultar em risco de incêndio ou choque eléctrico.
6. Evitar remover a moldura, de forma a evitar o risco de choque eléctrico.
7. Este dispositivo não deve ser utilizado perto de ou empilhado sobre outros dispositivos. O dispositivo deve ser verificado para assegurar que está a funcionar na sua configuração pretendida se for utilizado perto de ou empilhado sobre outros dispositivos.
8. Testar este dispositivo antes de realizar qualquer procedimento cirúrgico. Este dispositivo foi completamente testado na fábrica antes do respectivo envio.
9. Evitar realizar reparações ou regulações internas que não estejam especificamente detalhadas neste manual. Certificar-se de que todos e quaisquer reajustes, modificações e/ou reparações serão levados a cabo por pessoas autorizadas pela Stryker Endoscopy.
10. Não colocar nenhum objecto no painel. Se isto ocorrer, desligar o dispositivo e enviá-lo para ser verificado por pessoal qualificado antes de se voltar a utilizá-lo.
11. Ter os cuidados adequados para impedir o contacto com líquidos, no caso de o dispositivo estar a ser utilizado com alimentação em ambientes clínicos.
12. A utilização de cabos e/ou acessórios com este dispositivo, que não os especificados, pode provocar um aumento nas emissões ou um decréscimo de imunidade deste dispositivo.

Precauções

1. Ligar o dispositivo a um adaptador de CA ligado a um cabo de alimentação de grau hospitalar garantindo que o cabo de alimentação está ligado a uma tomada com alimentação de terra, para obter a fiabilidade da ligação à terra.
2. Não esterilizar o dispositivo, uma vez que os delicados componentes electrónicos não suportam este procedimento.
3. Utilizar apenas a fonte de alimentação do monitor exclusiva para o monitor. Fixar completamente a ligação entre o cabo de alimentação de CC e a extensão.
4. Nunca utilizar o dispositivo imediatamente após o transporte de um local frio para um local quente.
5. Para ligar a uma fonte de alimentação internacional, utilizar uma ficha de ligação apropriada à tomada de alimentação, conforme descrito na secção “Especificações técnicas” deste manual.
6. Desligar o dispositivo, caso este não vá ser utilizado durante um longo período de tempo. Para desligar o cabo, desaparafusar primeiro a ficha e, em seguida, puxar o cabo pela ficha. Nunca puxar pelo cabo.
7. Não expor o dispositivo à humidade nem aplicar directamente produtos de limpeza líquidos no ecrã. Pulverizar uma solução de limpeza num pano macio e limpar com cuidado. Para obter mais pormenores, consultar a secção “Limpeza e manutenção” deste manual.
8. Permitir a circulação de ar adequada de modo a impedir a acumulação interna de calor. Não colocar o dispositivo em superfícies (tapetes, cobertores, etc.) ou junto de materiais (cortinas, tapeçarias) que possam bloquear as ranhuras de ventilação. O dispositivo é arrefecido por convecção natural e não possui qualquer ventoinha.
9. Não tocar no paciente com conectores de entrada ou saída de sinais. O equipamento com conectores SIP/SOP deverá estar em conformidade com as normas nacionais harmonizadas IEC 60601-1 e/ou IEC 60601-1-1, ou a combinação deverá ser avaliada quanto à segurança.
10. A fim de garantir a compatibilidade electromagnética, consultar a secção “Compatibilidade electromagnética” deste manual. O Monitor LED VisionPro 26” (0240-031-020) e o Monitor LED sem fios VisionPro SYNK 26” (0240-031-000) devem ser instalados e utilizados de acordo com a informação acerca da CEM fornecida com este manual.
11. Prestar especial atenção às instruções de limpeza existentes neste manual. Qualquer incumprimento das instruções poderá causar danos.
12. Não instalar o dispositivo perto de locais com luz solar directa, pó em excesso, choque ou vibrações mecânicas.
13. Não posicionar o dispositivo de forma a que seja difícil desligar o cabo de alimentação da fonte de alimentação de rede.
14. Não utilizar com o ecrã do dispositivo de vidro voltado para baixo.

15. Manusear o dispositivo com cuidado. Não riscar nem dar pancadas no ecrã.
16. As alterações ou modificações não aprovadas expressamente pela parte responsável pela conformidade poderão anular a autoridade do utilizador para utilizar este dispositivo.
17. **Nota: Este dispositivo foi testado e verificou-se que cumpre os limites para um dispositivo digital da Classe B, em conformidade com a Parte 15 das Normas da FCC. Estes limites destinam-se a proporcionar uma protecção razoável contra interferências prejudiciais numa instalação residencial. Este dispositivo gera, usa e pode irradiar energia de radiofrequência e, se não for devidamente instalado e utilizado em conformidade com as instruções, poderá causar interferência prejudicial com outros dispositivos de comunicação por rádio. Não existe qualquer garantia de que não irá existir interferência numa instalação em particular, a qual poderá ser determinada desligando e voltando a ligar o dispositivo. Recomenda-se que o utilizador tente corrigir a interferência através de uma ou mais das seguintes medidas:**
 - Reorientar ou reposicionar o dispositivo receptor.
 - Aumentar a distância de separação entre o dispositivo.
 - Ligar o dispositivo a uma tomada de um circuito diferente do utilizado para ligar o(s) outro(s) dispositivo(s).
 - Consultar o fabricante ou o técnico de assistência local para obter ajuda.

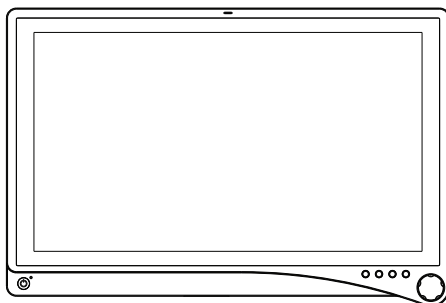
A garantia perde a validade no caso de alguma destas advertências ou precauções não ser respeitada.

Este produto contém resíduos de equipamento eléctrico ou electrónico. Não deve ser eliminado juntamente com o lixo municipal indiferenciado, devendo ser recolhido em separado.

Acerca do dispositivo

Monitor LED VisionPro 26"

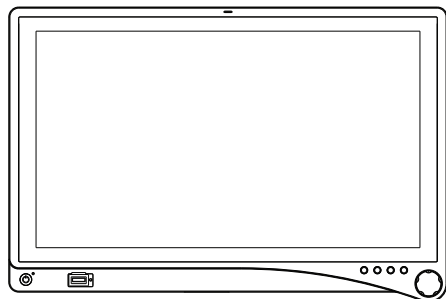
REF: 0240-031-020



O Monitor LED VisionPro 26" é um monitor cirúrgico LED de ecrã largo capaz de suportar uma resolução máxima de WUXGA (1920x1200). O monitor suporta as seguintes entradas de vídeo: RGB digital, RGB analógica, interface digital de série (SDI), vídeo do componente (YPbPr/RGBS), S-video e C-video/SOG. Além disso, suporta ainda a comunicação em série através da porta RS232.

Monitor LED sem fios VisionPro SYNK 26"

REF: 0240-031-000



O Monitor LED sem fios VisionPro SYNK 26" pode ser utilizado com o Transmissor SYNK (0240-031-010 ou 0240-031-011) opcional, que lhe permite receber um sinal de vídeo de alta definição sobre uma ligação de radiofrequência.

O monitor suporta as seguintes entradas de vídeo: DVI, S-Video e C-Video/SOG. Depois de activada a funcionalidade sem fios, o monitor suporta uma entrada de vídeo RGB digital sem fios. Além disso, suporta ainda uma porta USB e a comunicação em série através da porta RS232.

Nota: A funcionalidade sem fios do Monitor LED sem fios VisionPro SYNK 26" só pode ser activada através do Transmissor SYNK.

Para informações detalhadas e instruções sobre a utilização do Transmissor sem fios SYNK e a funcionalidade sem fios do Monitor LED sem fios VisionPro SYNK 26", consultar o manual do Sistema Sem Fios SYNK (P21693).

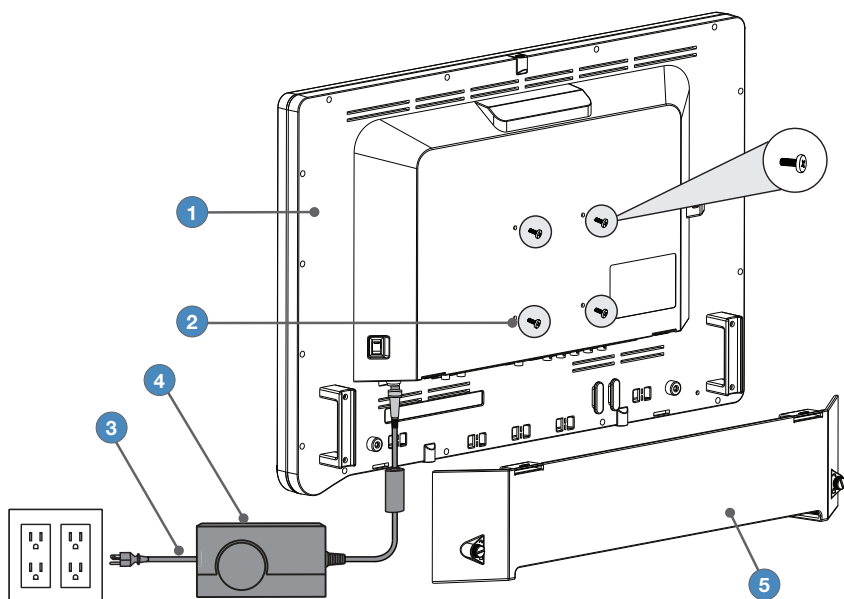
Aplicação e indicações de utilização

O Monitor LED sem fios VisionPro SYNK 26" e o Monitor LED VisionPro 26" destinam-se a ser utilizados para a apresentação de vídeo durante procedimentos cirúrgicos incluindo artroscopia (cirurgia ortopédica), laparoscopia (cirurgia geral e ginecológica), toracoscopia, endoscopia (cirurgia geral, gastroenterológica e ORL) e cirurgia geral. O monitor é um dispositivo não esterilizado e reutilizável que não se destina a ser utilizado no campo estéril. O monitor destina-se a ser utilizado por médicos qualificados com um conhecimento aprofundado sobre estes procedimentos cirúrgicos.

Contra-indicações

Não existem contra-indicações conhecidas para este dispositivo.

Conteúdo da embalagem



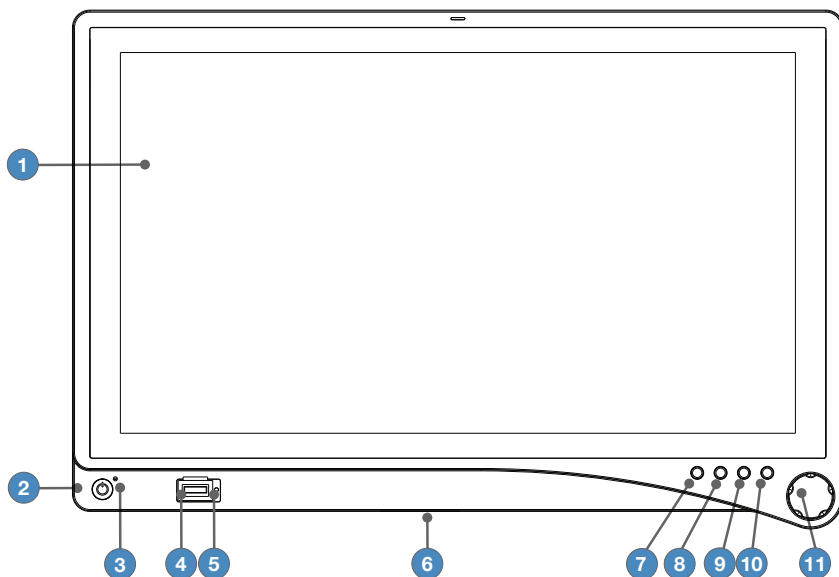
| Referência | Número de peça (P/N) | Conteúdo da embalagem |
|------------|------------------------------|---|
| 1 | 0240-031-020 0240-031-000 | Monitor LED VisionPro 26" ou Monitor LED sem fios VisionPro SYNK 26" |
| 2 | - | (4) Parafusos M4 VESA de 16 mm |
| 3 | - | Cabo de alimentação de corrente alternada de grau hospitalar |
| 4 | 0240-031-004 | Fonte de alimentação para uso médico |
| 5 | - | Cobertura do cabo |

| Número de peça (P/N) | Acessórios opcionais |
|----------------------|--|
| 0240-031-002 | Cobertura do monitor VisionPro 26" |
| 0240-031-004 | Fonte de alimentação para uso médico |
| 0240-031-010 | Transmissor sem fios SYNK |
| 0240-030-951 | Cabo de extensão de CC (5 pinos) com 4,5 m |
| 0240-030-952 | Cabo de extensão de CC (5 pinos) com 23 m |

Funções do dispositivo

Painel frontal

Utilizar o monitor através do controlo rotativo localizado no painel frontal. Segue-se uma lista dos controlos do monitor e respectivas funções.



- | | |
|--|--|
| 1. Ecrã de visualização | Apresenta a imagem de vídeo. |
| 2. Interruptor de alimentação (maleável) | Liga e desliga o monitor. |
| 3. LED de alimentação | Indica o estado actual: Verde - O monitor está ligado ou está no modo de protecção de ecrã Vermelho intermitente - O monitor está no modo de espera Âmbar intermitente - Ocorrência de sobretensão ou subtensão |
| 4. Ranhura do token (apenas no Monitor LED sem fios VisionPro SYNK 26") | Local de inserção do token utilizado para estabelecer uma ligação sem fios com o transmissor. |
| 5. LED do token (apenas no Monitor LED sem fios VisionPro SYNK 26") | Verde - A ligação foi estabelecida Âmbar - A inicializar Âmbar intermitente - Erro, contactar o representante da assistência técnica |
| 6. Ligação auxiliar | Permite ligações de dispositivos auxiliares. |

7. Áudio/PIP

Monitor LED VisionPro 26”:

Acede ao menu de ajuste Picture in Picture (Imagem em imagem).

Monitor LED sem fios VisionPro SYNK 26”:

Premir duas vezes para aceder ao menu de ajuste Picture in Picture (Imagem em imagem).

Nota: Nesta altura, a funcionalidade de áudio não está activada.

8. Luminosidade

Acede ao menu de ajuste Luminosidade.

9. Especialidade

Acede ao menu de ajuste Especialidade.

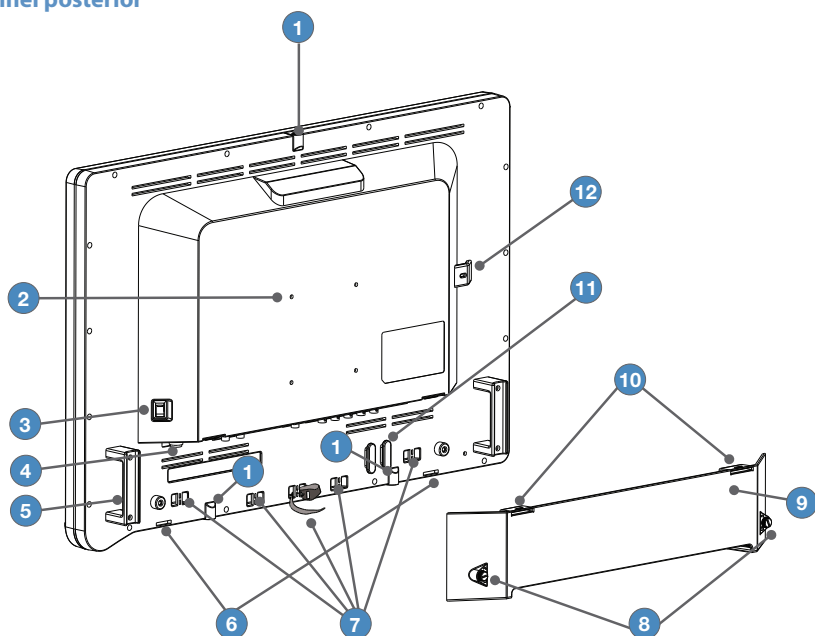
10. Entrada

Acede ao menu Selecção de entrada.

11. Controlo rotativo

Acede à opção de visualização no ecrã e navega através das suas funções.

Painel posterior



- 1. Suportes de acessórios (3)**

Fornecem um ponto de acesso para a montagem de acessórios adicionais.
- 2. Orifícios de montagem VESA**

Fornecem pontos de acesso para a montagem do monitor.
- 3. Interruptor de alimentação (rígido)**

Liga e desliga a entrada de alimentação de CC.
- 4. Conector de alimentação**

Liga-se à fonte de alimentação de CC de 24 V.
- 5. Pegas**

Auxiliam o posicionamento do monitor.

Precaução: As pegas não se destinam a suportar a totalidade do peso do monitor
- 6. Dobradiças da cobertura do cabo**

Fixam a parte inferior da cobertura do cabo ao monitor.
- 7. Tiras de velcro**

Auxiliam a gestão dos cabos.
- 8. Parafusos de orelhas da cobertura do cabo**

Fixam a cobertura do cabo ao monitor e são apertados e desapertados manualmente.
- 9. Cobertura do cabo**

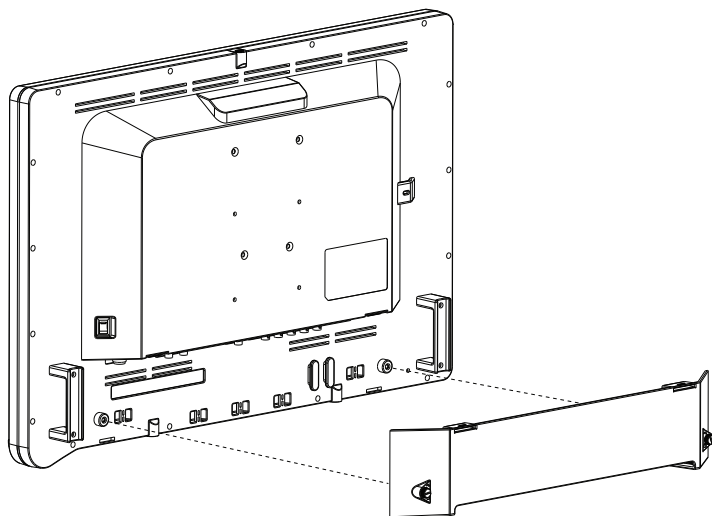
Cobre e protege os cabos.
- 10. Grampos da cobertura do cabo**

Fixam a parte superior da cobertura do cabo ao monitor.
- 11. Suporte do cabo**

Fornece um local para enrolar os cabos.
- 12. Funcionalidade de bloqueio**

Esta funcionalidade pode ser utilizada com um mecanismo de bloqueio ou cabo para fins de segurança.

Cobertura do cabo



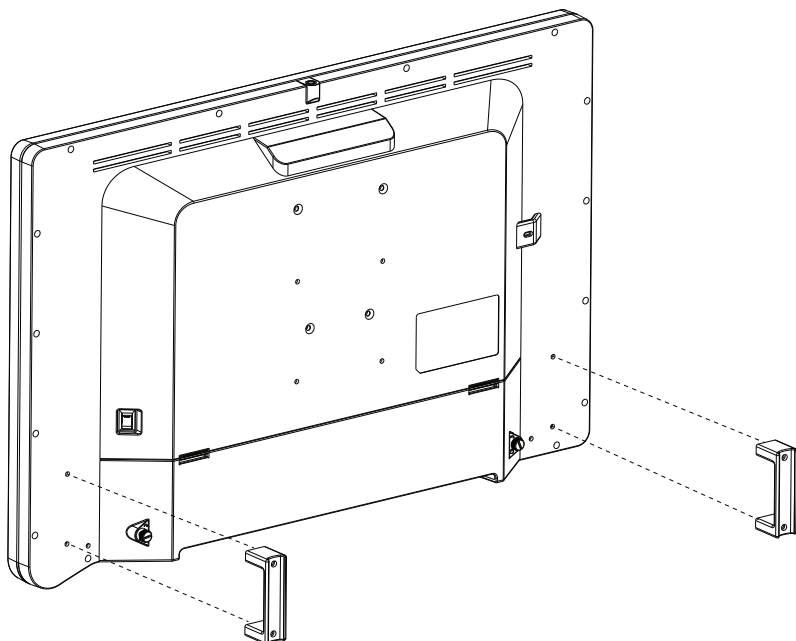
Instalar a cobertura do cabo

1. Alinhar as dobradiças do lado esquerdo e direito da cobertura do cabo com a parte posterior inferior do monitor.
2. Encaixar na secção superior da cobertura do cabo nos grampos de alinhamento.
3. Com os dedos, rodar os parafusos de orelhas no sentido dos ponteiros do relógio para apertar e fixar a cobertura do cabo no monitor.

Remover a cobertura do cabo

1. Com os dedos, rodar os parafusos de orelhas no sentido contrário ao dos ponteiros do relógio para soltar.
2. Assim que os parafusos de orelhas estiverem completamente soltos, pressionar os grampos do lado esquerdo e direito e puxar a cobertura do cabo na direcção do corpo.
3. Remover a cobertura do cabo das dobradiças do lado esquerdo e direito.

Pegas do monitor



Precaução: As pegas destinam-se a auxiliar o posicionamento do monitor e não devem ser utilizadas para transportá-lo. As pegas não devem suportar a totalidade do peso do monitor.

Remover as pegas do monitor

1. Utilizando uma chave sextavada de 3 mm, desapertar os dois parafusos M4 de 30 mm e puxar com cuidado a pega para a retirar do monitor.

Instalar as pegas do monitor

1. Alinhar a pega com os orifícios dos parafusos na parte posterior do monitor.
2. Utilizando uma chave sextavada de 3 mm, instalar os dois parafusos M4 de 30 mm para fixar a pega.

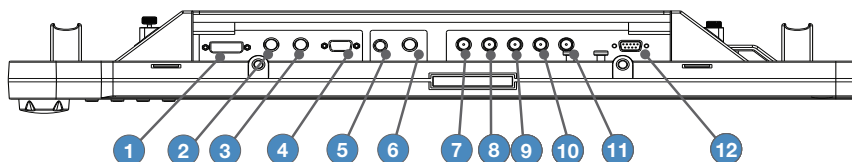
Configuração

A Stryker Endoscopy considera que a formação dos utilizadores está incluída no âmbito do fornecimento deste dispositivo. O representante de vendas local da Stryker Endoscopy irá realizar, quando for mais conveniente para o utilizador, pelo menos uma sessão de formação para o médico e para o seu pessoal, a fim de ajudar a instalar o dispositivo e dar instruções sobre o funcionamento e a manutenção do mesmo. Para marcar uma sessão de formação prática, contactar o representante local da Stryker Endoscopy após a recepção do dispositivo.

Ligações

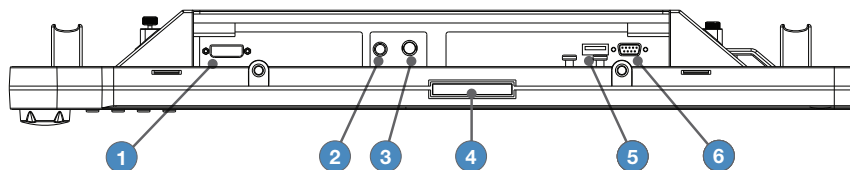
Portas de ligação do Monitor LED VisionPro 26"

Os sinais de entrada e saída de vídeo são ligados à parte posterior do monitor, conforme ilustrado abaixo:



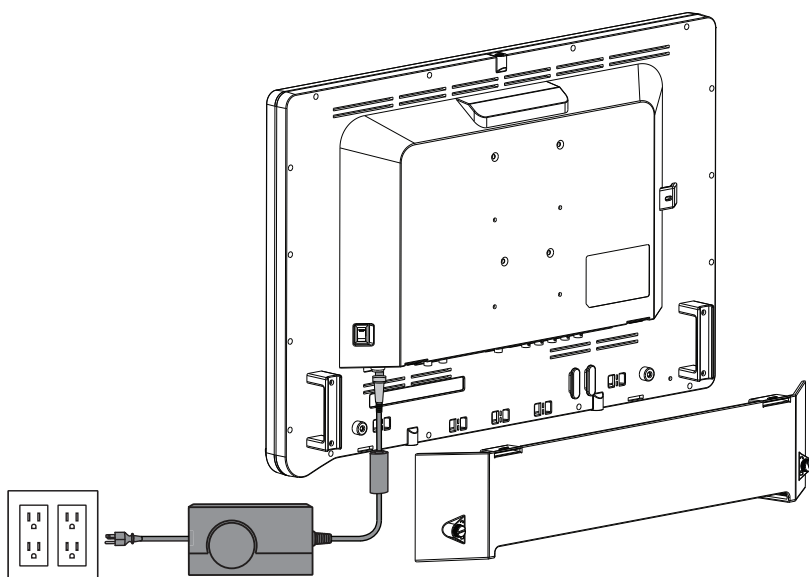
- | | |
|------------------------|------------|
| 1. DVI | 7. R/Pr |
| 2. 3G/HD/SD SDI-in | 8. G/Y |
| 3. 3G/HD/SD SDI-out | 9. B/Pb |
| 4. VGA | 10. H-sync |
| 5. S-Video | 11. V-sync |
| 6. C-Video/SOG | 12. RS232 |

Portas de ligação do Monitor LED sem fios VisionPro SYNK 26"



- | | |
|----------------|----------------------|
| 1. DVI | 4. Conector auxiliar |
| 2. S-Video | 5. USB |
| 3. C-Video/SOG | 6. RS232 |

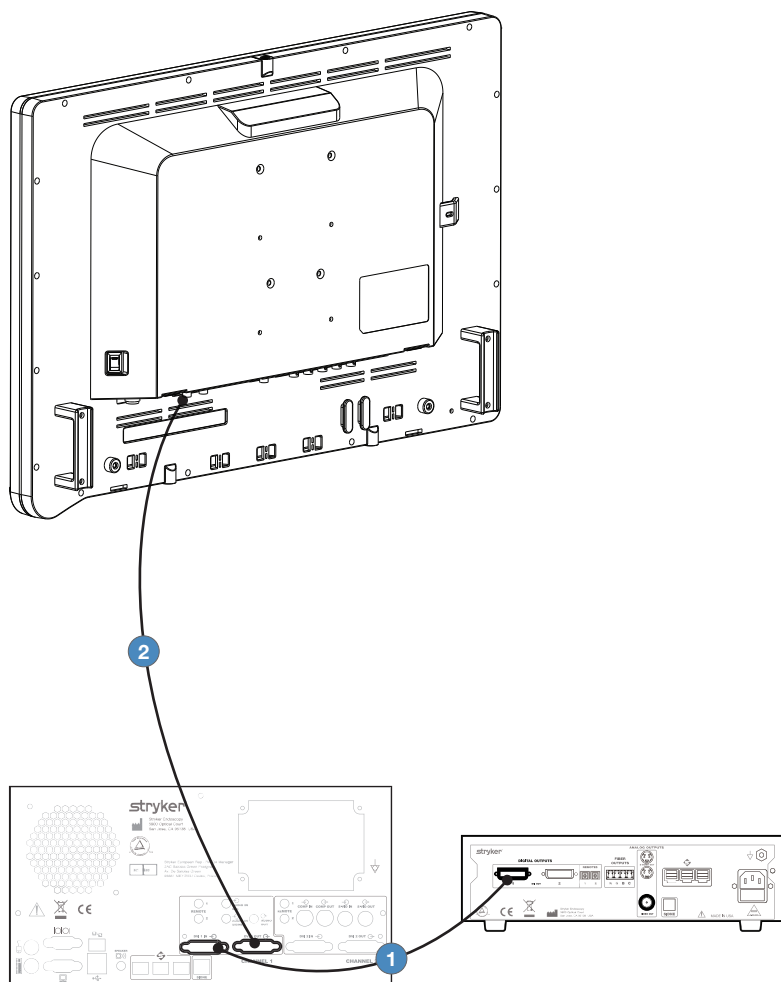
Ligar a fonte de alimentação



1. Ligar a fonte de alimentação à entrada de 24 V no monitor.
2. Ligar o cabo de alimentação de CA à fonte de alimentação*.
3. Ligar a alimentação de CA, utilizando o cabo de alimentação de grau hospitalar fornecido.
4. (Opcional, não ilustrado) Ligar uma extensão entre a fonte de alimentação e o monitor.
5. Instalar a cobertura do cabo.

* Informações sobre a fonte de alimentação: Número do modelo: BPM150S24F11, Fabricante: Bridgepower Corp.

Configuração básica de vídeo



1. Encaminhar a saída de vídeo 1 da câmara para a entrada SDC DVI.
2. Encaminhar a saída de vídeo 1 da saída SDC DVI para a entrada DVI no monitor.

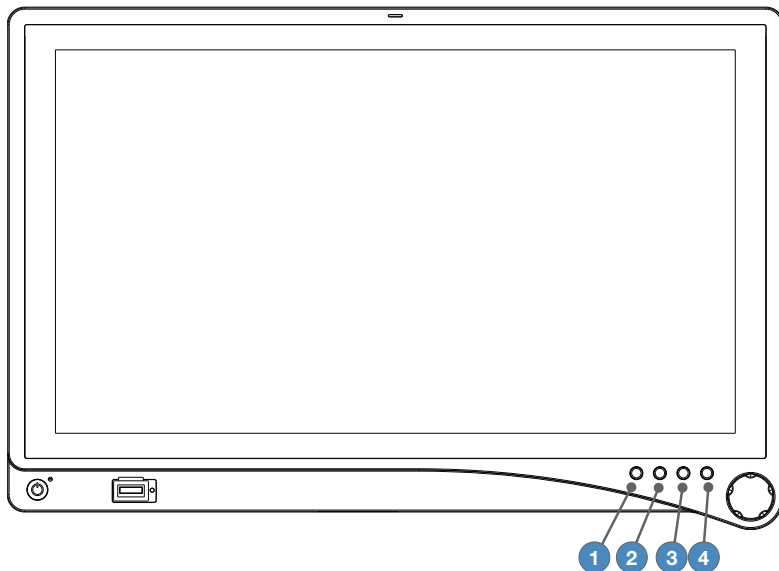
Nota: A Stryker recomenda uma ligação de reserva para a câmara.

Funcionamento

Utilizar o monitor através do controlo rotativo e os quatro botões localizados no painel frontal. Segue-se uma lista dos controlos do monitor e respectivas funções.

Visualização no ecrã (OSD)

Aceder à opção de visualização no ecrã



Para utilizar os quatro botões do painel frontal:

1. **Áudio/PIP (Monitor LED sem fios VisionPro SYNK 26"):**
 - Premir duas vezes para activar o Modo de imagem (Imagem em imagem, Imagem por imagem, Imagem sobre imagem)
2. **PIP (Monitor LED VisionPro 26"):**
 - Premir para activar o Modo de imagem (Imagem em imagem, Imagem por imagem, Imagem sobre imagem)
3. **Luminosidade:** Activa o menu de ajuste Luminosidade.
4. **Especialidade:** Activa o menu de ajuste Especialidade.
5. **Entrada:** Activa o menu de selecção Entrada.

Utilizar o controlo rotativo para navegar nos menus no ecrã depois de estarem activados:

- **Premir** — Acede/selecciona (a) o menu de visualização no ecrã.
- **Rodar para a direita/esquerda** — Com o menu de visualização no ecrã activado, a rotação aumenta/diminui o valor do parâmetro seleccionado.
- **Premir e manter premido** — Sai do menu de visualização no ecrã.

Utilizar a visualização no ecrã

A funcionalidade OSD do dispositivo ajuda a navegar nos vários menus do dispositivo.

1. Premir o **Controlo Rotativo** para activar o menu OSD.
2. Rodar o **Controlo Rotativo** para percorrer o menu para cima ou para baixo. O parâmetro fica realçado quando é seleccionado.
3. Premir o **Controlo Rotativo** para aceder ao nível OSD seguinte.
4. Rodar o **Controlo Rotativo** para aumentar ou diminuir o valor do parâmetro seleccionado ou seleccionar uma das diferentes opções.
5. Para sair do ecrã do menu OSD de segundo ou terceiro nível, seleccionar a opção Exit (Sair). Para sair completamente do menu OSD, premir e manter premido o **Controlo Rotativo**. Se não for premida qualquer tecla, o ecrã de OSD desaparece automaticamente após o tempo predefinido de fábrica (o tempo pode ser personalizado).

Menus OSD

Speciality (Especialidade)

| Item de menu | Descrição | Intervalo |
|--|---|---------------------|
| Color Temperature (Temperatura de cor)* | Selecciona entre as temperaturas de cor para Lap A, Lap B, Arthro A (Arthro A), Arthro B (Arthro B), Standard (Padrão), PACS, NORM, ENT (ORL), GYN (GIN). | — |
| Red (Vermelho) | Equilíbrio de vermelhos | -128–127 |
| Green (Verde) | Equilíbrio de verdes | -128–127 |
| Blue (Azul) | Equilíbrio de azuis | -128–127 |
| Gamma (Gama) | Valor de gama | 0,1–2,5, S0, S1, S2 |

* A regulação RGB da temperatura de cor só está disponível para as definições Standard (Padrão), Arth (Arthro) e Lap. Os ajustes PACS e Norm só estão disponíveis com a entrada SOG.

Áudio (menu não activo nesta altura)

Brightness Settings (Definições de luminosidade)

| Item de menu | Descrição | Intervalo |
|---|---|-----------|
| Brightness (Luminosidade) | Aumenta ou diminui a luminosidade | 0–100 |
| Contrast (Contraste) | Aumenta ou diminui o contraste | 0–100 |
| Phase (Fase)** | Aumenta ou diminui o nível de Fase | 0–100 |
| Chroma (Crominância)** | Aumenta ou diminui o nível de Crominância | 0–100 |
| Image Sharpness (Nitidez da imagem) | Define a nitidez da imagem | 1–10 |
| Video Sharpness (Nitidez de vídeo)** | Aumenta ou diminui a nitidez de vídeo | 0–100 |

** Apenas disponível com entrada SDI, S-vídeo ou C-vídeo.

Image Effect (Efeito de imagem)

| Item de menu | Descrição |
|---------------------------------------|--|
| Scale Mode (Modo de escala) | Selecciona o modo de escala entre Preencher tudo, Preenchimento vertical, Preenchimento horizontal, Razão de um para um ou Preencher em relação ao aspecto |
| Freeze Frame (Congelar imagem) | Activa ou desactiva a opção de congelamento de imagem |
| PIP | Activa a função PIP (picture in picture – imagem em imagem) |

| Item de menu | Descrição |
|--------------|--|
| POP | Activa a função POP (picture on picture – imagem sobre imagem) |
| PBP | Activa a função PBP (picture by picture – imagem por imagem) |

Advanced Settings (Definições avançadas)

| Item de menu | Descrição |
|--|--|
| Key Lock (Bloqueio das teclas) | Bloqueio das teclas activado: Desactiva as funções de todas as teclas Premir e manter premido o botão rotativo para desligar o bloqueio das teclas. |
| Auto Source Select (Seleção automática da fonte) | Pesquisa as entradas até ser detectada uma fonte de vídeo activa. A funcionalidade Seleção automática da fonte está desactivada durante o modo PIP/POP/PBP. |
| Sleep Timer (Temporizador da suspensão) | On (Ligar): O monitor entra no modo de suspensão se não for detectada nenhuma fonte de vídeo activa. |
| | Off (Desligar): O monitor não entra no modo de suspensão. |
| | Timer (Temporizador): Defina o tempo até o monitor entrar no modo de suspensão se não for detectada nenhuma fonte de vídeo activa. |
| OSD Control (Controlo OSD) | Controla as opções Posição, Fundo e Tempo limite do menu Visualização no ecrã |
| Restore Factory Settings (Restauro das definições de fábrica) | Repõe as predefinições de fábrica |
| Screen Control (Controlo de ecrã) | VGA <ul style="list-style-type: none"> • Horizontal • Vertical • Fase • Frequência |
| | S-Video, C-Video, SOG, RGBs, Componente <ul style="list-style-type: none"> • Horizontal • Vertical |

SYNK (para o Monitor LED sem fios VisionPro SYNK 26")

| Estado | Descrição |
|---|------------------|
| RX APP: XX.XX.XX RX MAC: XX.XX.XX.XX | Receptor |
| TX APP: XX.XX.XX TX MAC: XX.XX.XX.XX | Transmissor |
| WiFi SW: XXX-X.XX SINAL = Excelente, Bom, Fraco Região predefinida: XXX FREQ: XXXX MHz | Transmissor |

Information (Informações)

| Item de menu | Descrição |
|---|--|
| User Name Entry (Introdução de nome de utilizador) | Permite introduzir um nome de utilizador personalizado para visualização no arranque |
| Serial Number (Número de série) | Apresenta o número de série do dispositivo |
| Runtime (Tempo de funcionamento) | Apresenta o tempo de funcionamento actual total do dispositivo |
| Input Format (Formato de entrada) | Apresenta o formato de entrada actual |

Nota: Os valores das visualizações reais no ecrã podem variar com as versões actualizadas do firmware e as definições do utilizador.

Resolução de problemas

Antes de devolver o monitor para reparação, consultar a lista seguinte relacionada com a resolução de problemas:

| Problema | Estado actual | Solução |
|---------------------------------|--|--|
| Sem imagem | LED de alimentação ligado | Utilizando o menu OSD, ajustar a luminosidade e o contraste para o máximo ou repor estas opções para as predefinições de fábrica. |
| | LED de alimentação desligado | Certificar-se de que o interruptor de alimentação na parte frontal e posterior do monitor está na posição de ligado. |
| | | Verificar se o cabo de alimentação de CA está devidamente ligado à tomada e ao adaptador de CA. |
| | | Verificar se a fonte de alimentação está bem ligada e a funcionar correctamente. |
| LED de alimentação intermitente | Vermelho | O monitor está no modo de suspensão. Premir qualquer tecla para activar o monitor. |
| | Âmbar | Possibilidade de sobretensão ou subtensão da fonte de alimentação. |
| Imagem irregular | Visualização sobredimensionada, visualização subdimensionada, sem vídeo ou descentramento. | Utilizando o menu Screen Controlo (Controlo do ecrã), ajustar as definições Phase (Fase), Frequency (Frequência), Horizontal e Vertical para corrigir a imagem do monitor. |
| | | Ajustar as definições no Scale Mode (Modo de escala) |
| | | Apenas para a entrada VGA: premir e manter premido do controlo rotativo durante 1–2 segundos para voltar a sincronizar a transmissão de vídeo. |
| | | Aguardar alguns segundos após a sincronização inicial dos sinais de vídeo ou reiniciar o ciclo de alimentação do monitor. |
| Mensagem de erro OSD | “Out of Range” (Fora do intervalo) | Certificar-se de que está ligada uma fonte de vídeo aceitável. |
| O LED do token pisca a âmbar | Erro | Contactar um representante de assistência técnica. |

Limpeza e manutenção



Advertência

Para evitar choques eléctricos e ferimentos potencialmente fatais, desligar o monitor e a fonte de alimentação da tomada eléctrica antes da limpeza.

Precaução

- Não pulverizar líquidos de limpeza directamente no monitor ou na fonte de alimentação, pois tal poderia resultar em danos para o produto. Pulverizar no pano antes de limpar a unidade.
- Nunca mergulhar o monitor ou fonte de alimentação em líquido para não danificar os produtos.
- Não utilizar soluções de limpeza corrosivas para limpar o monitor ou a fonte de alimentação, pois tal poderia resultar em danos no produto.
- Nunca esterilizar o monitor ou a fonte de alimentação para não danificar os produtos.

Limpeza

Para limpar o monitor ou a fonte de alimentação:

1. Se a cobertura do monitor estiver colocada, proceder à respectiva remoção antes da limpeza.
2. **Para o Monitor LED sem fios VisionPro SYNK 26”:** Certificar-se de que é colocada a tampa na ranhura do token antes de se proceder à limpeza.
3. Aplicar um desinfectante padrão ou detergente suave num pano seco e esterilizado.
4. Limpar o monitor ou fonte de alimentação.
5. Ter um cuidado redobrado na limpeza do ecrã do monitor. O líquido em excesso ou gotas que entrem na parte inferior do ecrã ou no receptáculo da fonte de alimentação podem resultar em danos no produto.

Inspeção

Inspeccionar sempre o produto antes da utilização. Consultar a secção Resolução de problemas deste documento se alguma das seguintes condições for evidente. Se o desempenho do produto continuar a não ser satisfatório, interromper a utilização e contactar o representante da Stryker.

- Nenhuma imagem, imagem irregular ou qualidade de imagem inaceitável
- Impossibilidade de ligar
- Funcionalidade inadequada do botão ou não responde
- Danos físicos significativos no monitor ou acessórios, incluindo claridade do ecrã inaceitável, revestimentos danificados, corrosão, ruídos anormais, fissuras no cabo, fios expostos e/ou quaisquer danos que impeçam uma interface de montagem segura
- O LED de alimentação pisca a âmbar

Vida útil prevista

A vida útil do dispositivo e dos acessórios do dispositivo é largamente determinada pelo desgaste, métodos de limpeza e quaisquer danos resultantes da sua utilização. Para aumentar o tempo entre manutenções do dispositivo, seguir sempre as instruções de cuidados e manuseamento neste manual do utilizador e no manual do utilizador dos acessórios do dispositivo.

Eliminação



De acordo com a Diretiva europeia 2012/19/UE relativa aos resíduos de equipamentos elétricos e eletrónicos (REEE) conforme alterada, o produto e seus acessórios deve ser recolhido seletivamente para reciclagem. Não eliminar o produto como resíduos urbanos não triados. Contactar o distribuidor local para mais informações sobre a eliminação. Certificar-se de que o equipamento infetado é limpo conforme o estabelecido na Secção Limpeza destas Instruções de utilização e das Instruções de utilização dos acessórios do dispositivo antes de reciclar.

Eliminar todos os acessórios do sistema de acordo com a prática normal da instituição relativamente a itens potencialmente contaminados.

Comunicação de eventos adversos

Qualquer incidente grave relacionado com este dispositivo deve ser comunicado à Stryker e, na União Europeia, deve ser comunicado à autoridade competente no Estado-Membro onde a pessoa afetada reside.

Especificações técnicas

Monitor

| | |
|--|--|
| Painel do monitor LCD | 26" (661 mm) Diagonal (LCD de matriz activa TFT a-Si) |
| Sincronização | Sinc. separada 2,5–5,0 Vpp |
| Densidade de pixels | 0,300 (H) x 0,300 (V) mm |
| Tempo de resposta | < 18 ms Típ |
| Ângulo de visualização | Direita/Esquerda/Cima/Baixo 89 graus |
| Cores de visualização | Mil milhões de cores (10 bits) |
| Resolução nativa | 1920 (H) pontos x 1080 (V) linhas |
| Sinais do Monitor LED VisionPro 26" | DVI, VGA, 3G/HD/SD-SDI (Entrada/Saída), C-Video/SOG, S-Video, Componente/RGBs (Y/G, Pb/B, Pr/R, HS, VS), RS232 |
| Sinais do Monitor LED sem fios VisionPro SYNK 26" | RGB digital sem fios, DVI, S-Video, C-Video/SOG, RS232 e USB |
| Máximo de relógio de pixels | 165 MHz |

Eléctricas

| | |
|--|---|
| Adaptador de alimentação | Entrada: 100–240 VCA; 50–60 Hz; 2,5 A (2,5A - 1,5A) Saída: 24 V CC; 6,25 A (150 W máx) Número do modelo: BPM150S24F11 |
| Consumo de energia (aproximado) | 35–65 Watts |

Tensão/corrente nominal

Certificar-se de que o respectivo cabo de alimentação cumpre todos os regulamentos e normas locais.

Tomadas eléctricas de 110 V +/- 10 V

Seleccionar um cabo para ligar à fonte de alimentação certificado pela UL e pela C.S.A, tipo SJT ou SVT, de 3 condutores, 18 AWG, com terminais numa tampa de encaixe moldada de grau hospitalar de 110 V +/- 10 V, 15 A, com um comprimento mínimo de 1,8 metros.

Tomadas eléctricas de 220 V +/- 20 V

Seleccionar um cabo para ligar à fonte de alimentação harmonizado internacionalmente e marcado com "<HAR>", de 3 condutores, com um cabo mínimo de 0,75 mm², de 220 V +/- 20 V, 10 A com uma capa isolada de PVC. O cabo tem de possuir uma tampa de encaixe moldada de 220 V +/-20 V, 10 A. O cabo e tampa de encaixe têm de ser adequados para uso médico.

Dimensões

| | |
|-----------------------------------|-----------------------|
| Dimensões (L x A x P) | 660,4 × 442 × 86,4 mm |
| Peso (aproximado) | 8,3 kg |
| Interface de Montagem VESA | VESA 100 × 100 mm |

Condições de funcionamento

| | |
|---------------------------------------|-------------|
| Intervalo de temperatura | 10 °C–40 °C |
| Intervalo de humidade relativa | 25–75% |

Condições de transporte e de armazenamento

| | |
|---------------------------------------|--------------|
| Intervalo de temperatura | -18 °C–60 °C |
| Intervalo de humidade relativa | 15–90% |

Classificações e aprovações

Equipamento de Classe 1

Equipamento médico apenas em conformidade com UL 60601-1 e CAN/CSA C22.2 N.º 601.1, no que diz respeito a choque eléctrico, perigos de incêndio e perigos mecânicos.

IP23: Protecção contra o acesso a partes perigosas com os dedos ou objectos semelhantes, protecção contra a entrada de água pulverizada (menos de 60° da posição vertical)

Funcionamento contínuo

Conformidade

Regulamentos da FCC

Monitor LED VisionPro 26”:

FCC, Parte 15, Classe B

Identificador da FCC: QVXAMM261WTDS

Monitor LED sem fios VisionPro SYNK 26”:

FCC, Parte 15, Classe B

Identificador da FCC: QVXAMM261WTDSW

FCC, Parte 15, Classe C

Identificador da FCC: SSH-SYNKRX (Placa receptora)

Identificador da FCC: SSH-SDMAN (Placa de acessórios)

Regulamentos IC

Monitor LED sem fios VisionPro SYNK 26”:

IC: 4919C-SYNKRX (Placa receptora)

IC: 4919C-SDMAN (Placa de acessórios)

Nota: Para obter informações sobre alterações e novos produtos, contactar o representante de vendas local da Stryker Endoscopy.

Compatibilidade electromagnética

À semelhança de qualquer outro equipamento de electromedicina, o Monitor LED VisionPro 26" e o Monitor LED sem fios VisionPro SYNK 26" exigem a adopção de precauções especiais para assegurar a compatibilidade electromagnética com outros dispositivos médicos eléctricos. A fim de garantir a compatibilidade electromagnética (CEM), o monitor deve ser instalado e utilizado de acordo com a informação acerca da CEM fornecida com este manual. O monitor foi concebido e testado de modo a satisfazer os requisitos da norma IEC 60601-1-2 relativamente à compatibilidade electromagnética com outros dispositivos.

Nota: Este equipamento destina-se a ser utilizado num ambiente profissional de saúde. Não se destina à utilização num bloco com protecção contra a radiofrequência (RF) de um sistema eletromédico para geração de imagens de ressonância magnética, em que a intensidade dos distúrbios EM é alta.

Nota: Não é provável que este equipamento seja suscetível a interferências de instrumentos cirúrgicos de alta frequência no Ambiente Especial em estreita proximidade de um instrumento cirúrgico de alta frequência ativo. Caso se observe interferência cirúrgica de alta frequência, ajuste a distância de separação do equipamento.



Advertência

Quando este dispositivo está ligado a outro equipamento eléctrico, as correntes de fuga podem ser cumulativas. Para minimizar o total de corrente de fuga para o paciente, certificar-se de que todos os sistemas estão instalados de acordo com os requisitos da norma IEC 60601-1-1.

Precaução

Os equipamentos de comunicação por radiofrequência portáteis e móveis podem afectar o funcionamento normal do monitor. Não utilizar outros cabos ou acessórios para além dos fornecidos com o monitor, uma vez que isso poderia resultar num aumento das emissões electromagnéticas ou numa diminuição da imunidade a tais emissões. Se o monitor for utilizado ao lado de outros equipamentos ou montado em pilha com outro equipamento, controlar e verificar o funcionamento normal do monitor na configuração em que será utilizado antes de o utilizar num procedimento cirúrgico. Consultar as tabelas abaixo para se orientar no posicionamento do monitor.

Orientação e declaração do fabricante: Emissões electromagnéticas

O Monitor LED VisionPro 26" e o Monitor LED sem fios VisionPro SYNK 26" foram concebidos para serem utilizados no ambiente electromagnético abaixo indicado. O cliente ou o utilizador do monitor deve certificar-se que o mesmo é utilizado neste tipo de ambiente.


| Teste de emissões | Conformidade | Ambiente electromagnético - orientação |
|--|-----------------|---|
| Emissões de RF de acordo com o estipulado pelo CISPR 11 | Grupo 1 | Os monitores utilizam energia de radiofrequência apenas para o funcionamento interno. Por esta razão, as emissões de RF são muito baixas, sendo improvável que causem qualquer interferência em equipamentos electrónicos próximos. |
| Emissões de RF de acordo com o estipulado pelo CISPR 11 | Classe B | Os monitores são apropriados para serem utilizados em todo o tipo de instalações, excepto em instalações domésticas e em instalações directamente ligadas à rede pública de alimentação de energia de baixa tensão que abastece os edifícios utilizados para fins domésticos, desde que seja observado o seguinte aviso: Advertência: Este sistema destina-se a ser utilizado exclusivamente por profissionais de saúde. Este sistema pode causar interferência radioelétrica ou perturbar o funcionamento de equipamento existente nas proximidades. Poderá ser necessário tomar medidas de atenuação, como mudar a orientação ou a localização do sistema ou proteger o local. |
| Emissões de harmónicos IEC61000-3-2 | Classe D | |
| Flutuações de tensão/emissões intermitentes IEC61000-3-3 | Em conformidade | |

| Orientação e declaração do fabricante — Imunidade eletromagnética | | | |
|---|--|--|--|
| O Monitor LED VisionPro 26" e o Monitor LED sem fios VisionPro SYNK 26" foram concebidos para serem utilizados no ambiente eletromagnético abaixo indicado. O cliente ou o utilizador do monitor deve certificar-se que o mesmo é utilizado neste tipo de ambiente. | | | |
| Teste de imunidade | Nível de teste IEC 60601 | Nível de conformidade | Ambiente eletromagnético - Orientação |
| Descarga eletrostática IEC 61000-4-2 | Contacto ± 8 kV Ar ± 15 kV | Contacto ± 8 kV Ar ± 15 kV | Os pisos devem ser de madeira, de cimento ou de cerâmica. Se os pisos estiverem revestidos com material sintético, a humidade relativa deverá ser de, pelo menos, 30%. |
| Transiente elétrico rápido/rajada IEC 61000-4-4 | ± 2 kV para linhas de alimentação de energia ± 1 kV para linhas de entrada/saída (se aplicável) | ± 2 kV linha para terra ± 1 kV linha-linha (se aplicável) | A qualidade da rede elétrica deve ser a mesma de ambientes comerciais ou hospitalares comuns. |
| Sobretensão IEC 61000-4-5 | ± 1 kV modo diferencial ± 2 kV modo comum | ± 1 kV modo diferencial ± 2 kV modo comum | A qualidade da rede elétrica deve ser a mesma de ambientes comerciais ou hospitalares comuns. |
| Quedas de tensão, interrupções breves e variações de tensão nas linhas de entrada de alimentação IEC 61000-4-11 | 0% U_T 0,5 ciclo 0% U_T 1 ciclo 70% U_T 25 ciclos 0% U_T 5 seg. | 0% U_T 0,5 ciclo 0% U_T 1 ciclo 70% U_T 25 ciclos 0% U_T 5 seg. | A qualidade da rede elétrica deve ser a mesma de ambientes comerciais ou hospitalares comuns. Se o utilizador do transmissor necessitar de um funcionamento contínuo durante as interrupções de alimentação da rede, recomenda-se que o transmissor sem fios seja alimentado por uma bateria ou fonte de alimentação ininterrupta. |
| Campo magnético da frequência da rede de alimentação (50/60 Hz) IEC 61000-4-8 | 30 A/m | 30 A/m | Os campos magnéticos da frequência da rede de alimentação devem corresponder aos níveis característicos de um local típico num ambiente comercial ou hospitalar comum. |
| Nota: U_T corresponde à tensão de rede de corrente alterna antes da aplicação do nível de teste. | | | |

Orientação e declaração do fabricante: Imunidade eletromagnética

O Monitor LED VisionPro 26" e o Monitor LED sem fios VisionPro SYNK 26" foram concebidos para serem utilizados no ambiente eletromagnético abaixo indicado.

O cliente ou o utilizador do monitor deve certificar-se que o mesmo é utilizado neste tipo de ambiente.

| Teste de imunidade | Nível de teste IEC 60601 | Nível de conformidade | Ambiente eletromagnético - Orientação |
|----------------------------------|----------------------------|-----------------------|--|
| RF conduzida IEC 61000-4-6 | 3 Vrms 150 kHz a 80 MHz | 3 V | Os equipamentos de comunicações RF móveis e portáteis não deverão ser utilizados a uma distância inferior à distância de separação recomendada relativamente a qualquer componente dos monitores, incluindo os respetivos cabos, sendo tal distância calculada com base na equação aplicável à frequência do transmissor. Distância de separação recomendada: $d = 2\sqrt{P}$ 80 MHz a 2,7 GHz em que P é a potência de saída máxima nominal do transmissor em watts (W) segundo o fabricante do transmissor e d é a distância de separação recomendada em metros (m). As intensidades de campo dos transmissores fixos de RF, conforme determinado por um exame eletromagnético do local (a), devem ser inferiores ao nível de conformidade em cada intervalo de frequências(b). Pode ocorrer interferência na proximidade de equipamento marcado com o seguinte símbolo:  |
| RF por radiação IEC 61000-4-3 | 10 V/m 80 MHz a 2,7 GHz | 10 V/m | |

(a) As intensidades de campo de transmissores fixos como, por exemplo, estações de base para radiotelefonos (móveis/sem fios) e rádios móveis terrestres, de emissões de radioamadores, emissões radiofónicas AM e FM e transmissões televisivas, não podem ser previstas teoricamente com precisão. Para avaliar o ambiente electromagnético devido a transmissores fixos de RF, deve considerar-se a realização de uma avaliação electromagnética do local. Se a intensidade do campo medida no local em que o Monitor LED VisionPro 26" e o Monitor LED sem fios VisionPro SYNK 26" são utilizados for superior ao nível de conformidade de RF aplicável acima referido, o monitor e transmissor deverão ser verificados, a fim de comprovar que estão a trabalhar em condições normais. Se for detectado um desempenho anormal, poderá ser necessário tomar medidas adicionais, como, por exemplo, mudar a orientação ou a localização do monitor.

(b) Acima do intervalo de frequência 150 kHz a 80 MHz, as intensidades de campo deverão ser inferiores a 3 V/m.

| Especificações testadas para imunidade a equipamentos de comunicação por radiofrequência sem fios | | | | | | |
|--|-------------|---|---|---------------------|---------------|-----------------------------------|
| Frequência do teste (MHz) | Banda (MHz) | Assistência | Modulação | Potência máxima (W) | Distância (m) | Nível do teste de imunidade (V/m) |
| 385 | 380–390 | TETRA 400 | Modulação do pulso 18 Hz | 1,8 | 0,3 | 27 |
| 450 | 430–470 | GMRS 460, FRS 460 | FM Desvio de ± 5 kHz 1 kHz sinusoidal | 2 | 0,3 | 28 |
| 710 | 704–787 | Banda LTE 13, 17 | Modulação do pulso 217 Hz | 0,2 | 0,3 | 9 |
| 745 | | | | | | |
| 780 | | | | | | |
| 810 | 800–960 | GSM 800/900, TETRA 800, iDEN 820, CDMA 850, Banda LTE 5 | Modulação do pulso 18 Hz | 2 | 0,3 | 28 |
| 870 | | | | | | |
| 930 | | | | | | |
| 1720 | 1.700–1.990 | GSM 1800; CDMA 1900; GSM 1900; DECT; Banda LTE 1, 3, 4, 25; UMTS | Modulação do pulso 217 Hz | 2 | 0,3 | 28 |
| 1845 | | | | | | |
| 1970 | | | | | | |
| 2450 | 2.400–2.570 | Bluetooth, WLAN, 802.11 b/g/n, RFID 2450, Banda LTE 7 | Modulação do pulso 217 Hz | 2 | 0,3 | 28 |
| 5240 | 5.100–5.800 | WLAN 802.11 a/n | Modulação do pulso 217 Hz | 0,2 | 0,3 | 9 |
| 5500 | | | | | | |
| 5785 | | | | | | |
| Nota: O equipamento de comunicação por radiofrequência portátil não deve ser utilizado a menos de 30 cm do monitor LED sem fios VisionPro 26 e do monitor LED sem fios VisionPro SYNK 26°. Caso contrário, pode ocorrer degradação do desempenho deste equipamento. | | | | | | |
| A Stryker declara, por este meio, que o Monitor LED sem fios VisionPro SYNK 26° está em conformidade com os requisitos essenciais e outras cláusulas relevantes da Directiva 1999/5/CE. Pode ser obtida uma cópia da declaração de conformidade junto da Stryker Endoscopy, 5900 Optical Court, San Jose, CA, 95138, EUA | | | | | | |

Símbolos e definições

Os símbolos seguintes são indicados no produto, respectiva rotulagem ou embalagem. Cada símbolo apresenta uma definição especial, tal como a seguir definido:



Consultar as Instruções de utilização



Atenção: Consultar as Instruções de utilização



Número de série



Quantidade



Intervalo de temperatura



Intervalo de humidade



Representante Europeu Autorizado



País de origem



Número de catálogo



Corrente contínua



Data de fabrico



Fabricante legal



Testado em conformidade com as normas FCC, Classe B e C



Transmissão sem fios



A lei federal limita a venda deste dispositivo a um médico ou mediante prescrição médica.



O dispositivo cumpre os requisitos aplicáveis aos dispositivos médicos na União Europeia.



Código de reciclagem do dispositivo (aplicável na China)



Marca de certificação obrigatória na China

IP23

A caixa garante uma protecção contra:

- O acesso a partes perigosas com os dedos ou objectos semelhantes
- Água pulverizada (menos de 60° da posição vertical)



Em conformidade com os requisitos regulamentares australianos



Equipamento médico em conformidade com AAMI ES60601-1 e CSA C22.2 N.º 60601-1-08-CAN/CSA relativamente a choque eléctrico, perigos de incêndio e perigos mecânicos



Este produto contém resíduos de equipamento eléctrico ou electrónico. Não deve ser eliminado juntamente com o lixo municipal indiferenciado, devendo ser recolhido em separado.



Dispositivo médico na União Europeia

Índice

| | |
|--|---------------|
| Advertencias y precauciones | ES-159 |
| Acerca de su dispositivo..... | ES-162 |
| Usado previsto e indicaciones de uso | ES-163 |
| Contraindicaciones..... | ES-163 |
| Contenido de la unidad | ES-164 |
| Características del dispositivo | ES-165 |
| Configuración..... | ES-170 |
| Conexiones..... | ES-170 |
| Configuración básica de vídeo..... | ES-172 |
| Funcionamiento..... | ES-173 |
| Visualización en pantalla (OSD) | ES-173 |
| Menús de OSD..... | ES-175 |
| Resolución de problemas..... | ES-178 |
| Limpieza y mantenimiento..... | ES-179 |
| Especificaciones técnicas | ES-181 |
| Compatibilidad electromagnética | ES-183 |
| Símbolos y definiciones | ES-188 |

Advertencias y precauciones

Lea este manual y siga detenidamente las instrucciones. Las palabras advertencia, precaución y nota tienen un significado especial y deben leerse atentamente:

Advertencia: Indica medidas para evitar lesiones serias potenciales al usuario y al paciente.

Precaución: Indica riesgos para el equipo. Si no se siguen las precauciones, el producto podría resultar dañado.

Nota: Proporciona información especial para aclarar instrucciones o presenta información útil adicional.

Advertencias

Para evitar posibles lesiones graves al usuario y al paciente, tenga en cuenta las siguientes advertencias:

1. Lea detenidamente este manual y familiarícese con su contenido antes de utilizar este dispositivo.
2. La ley federal de EE. UU. limita la venta de este dispositivo a un médico o bajo su autorización expresa.
3. Desembale el dispositivo con cuidado y compruebe que no se haya producido ningún daño durante el envío.
4. Este dispositivo no es estéril y, por consiguiente, no se debe colocar en el campo estéril.
5. No coloque el dispositivo ni ningún otro objeto pesado sobre el cable de alimentación. Si el cable sufre daños, puede producirse un incendio o una descarga eléctrica.
6. Para evitar descargas eléctricas, evite retirar la cubierta.
7. Este dispositivo no debe utilizarse al lado o apilado con otros dispositivos. Si es necesario apilarlo o situarlo adyacente a otro dispositivo, debe observarse el dispositivo para verificar su normal funcionamiento en la configuración en la que se utilizará.
8. Comprobar este dispositivo antes de iniciar una intervención quirúrgica. Este dispositivo ha sido totalmente comprobado en la fábrica antes de su envío.
9. Evite realizar reparaciones internas o ajustes que no se encuentren específicamente detallados en este manual. Compruebe que los reajustes, modificaciones y/o reparaciones sean realizados por personal autorizado por Stryker Endoscopy.
10. No coloque ningún objeto en el panel. Si esto sucede, desconchufe el dispositivo y haga que lo revise personal cualificado antes de continuar utilizándolo.
11. Siempre tenga la precaución apropiada para evitar el contacto con los fluidos, en caso de que el dispositivo se esté utilizando con una fuente de alimentación eléctrica en entornos de pacientes.
12. La utilización de cables u otros accesorios con este dispositivo, distintos de los especificados, puede provocar el aumento de las emisiones o la disminución de la inmunidad de este dispositivo.

Precauciones

1. Conecte el dispositivo a un adaptador de CA conectado a un cable de alimentación específico para hospitales y asegúrese de que el cable de alimentación esté enchufado a una toma de red eléctrica con conexión a tierra con el fin de garantizar la fiabilidad de la conexión a tierra.
2. No esterilice el dispositivo, ya que los componentes electrónicos son delicados y no soportan este procedimiento.
3. Utilice solo la fuente de alimentación de la pantalla quirúrgica patentada con dicha pantalla. Asegure completamente la conexión entre el cable de alimentación de CC y la extensión.
4. No utilice nunca el dispositivo inmediatamente después de haberlo trasladado de un ambiente frío a uno cálido.
5. Para conectar la unidad a una fuente de alimentación internacional, utilice un enchufe tomacorriente apropiado para la toma de suministro eléctrico, según se describe en el apartado de "Especificaciones técnicas" del presente manual.
6. Desenchufe el dispositivo si no lo va a utilizar por un período de tiempo prolongado. Para desconectar el cable, desatornille el enchufe primero y luego extráigalo tirando del enchufe. No tire del propio cable.
7. No esponga el dispositivo a humedad ni aplique limpiadores líquidos directamente a la pantalla. Rocíe la solución de limpieza en un paño suave y limpie con cuidado. Para más detalles, consulte el apartado "Limpieza y mantenimiento" del presente manual.
8. Permita la circulación adecuada de aire para evitar la acumulación de calor en el interior de la unidad. No coloque el dispositivo sobre superficies (alfombras, cobijas, etc.) ni cerca de materiales (cortinas, colgaduras) capaces de obstruir las ranuras de ventilación. El dispositivo se enfría por convección natural y no cuenta con ventilador.
9. No toque al paciente con conectores de entrada o salida de señal. Los equipos con conectores SIP/SOP deben cumplir con las normas nacionales armonizadas IEC 60601-1 y/o IEC 60601-1-1; de lo contrario, será necesario evaluar la seguridad de la combinación.
10. Para asegurar la compatibilidad electromagnética, consulte la sección "Compatibilidad electromagnética" de este manual. La pantalla LED VisionPro 26" (0240-031-020) y la VisionPro SYNK inalámbrica (0240-031-000) deberán instalarse y utilizarse de acuerdo con la información de compatibilidad electromagnética (EMC) proporcionada en el presente manual.
11. Preste atención especial a las instrucciones de limpieza del presente manual. Cualquier alteración podría dañar el dispositivo.
12. No instale el dispositivo en las cercanías de la luz solar, exceso de polvo, vibraciones mecánicas o sacudidas.
13. No sitúe el dispositivo de forma que resulte complicado desconectar el cable de alimentación de la toma.
14. No utilice el dispositivo con la pantalla de visualización de vidrio mirando hacia abajo.

15. Maneje el dispositivo con cuidado, evitando golpear o rayar la pantalla.
16. Los cambios o las modificaciones realizadas que no hayan sido aprobadas expresamente por la parte responsable de cumplimiento puede anular la autoridad del usuario a operar el dispositivo.
17. **Nota:** El presente dispositivo ha sido probado y se ha demostrado conforme con los límites para un dispositivo digital de clase B, conforme a la Parte 15 de las normas de la FCC. Dichos límites han sido diseñados para brindar una protección razonable contra las interferencias dañinas de un entorno residencial. El presente dispositivo genera, utiliza y puede irradiar energía de radiofrecuencia y, si no se lo instala y utiliza de acuerdo con las instrucciones, puede causar interferencia dañina a las radiocomunicaciones. No existen garantías de que no se producirán interferencias en una determinada instalación; para comprobarlo, debe encenderse y apagarse el dispositivo. Recomendamos al usuario que intente corregir la interferencia tomando una o más medidas indicadas a continuación:
 - Cambie de orientación o de ubicación el dispositivo receptor.
 - Aumente la separación entre los dispositivos.
 - Conecte el dispositivo a un tomacorriente en un circuito eléctrico diferente del utilizado por los otros dispositivos.
 - Consulte a su fabricante o al técnico del servicio de campo para obtener ayuda.

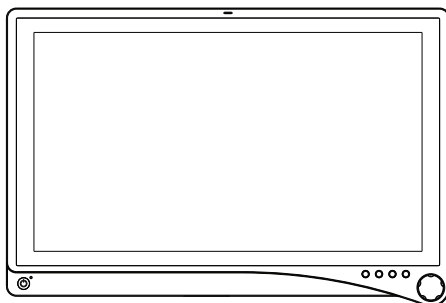
La garantía no será válida si no se respeta alguna de estas advertencias o precauciones.

Este producto contiene residuos de aparatos eléctricos o equipos electrónicos. No se deben desechar como residuos urbanos sin clasificar y deben recopilarse por separado.

Acerca de su dispositivo

Pantalla LED VisionPro 26"

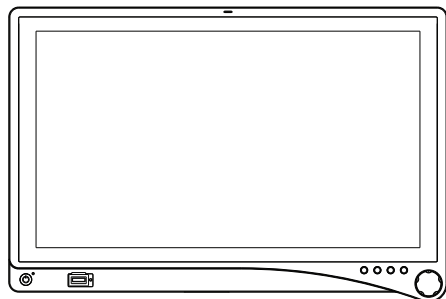
REF: 0240-031-020



La pantalla LED VisionPro 26" es una pantalla quirúrgica LED ancha con una resolución máxima de WUXGA (1920x1200). La pantalla es compatible con las siguientes entradas de video: RGB digital, RGB analógico, interfaz digital serie (SDI), video por componentes (YPbPr/RGBS), S-Video y C-Video/SOG. También incluye comunicación en serie a través del puerto RS232.

Pantalla LED inalámbrica VisionPro SYNK 26"

REF: 0240-031-000



La pantalla LED inalámbrica de 26" VisionPro SYNK puede utilizarse junto con el transmisor opcional SYNK (0240-031-010 o 0240-031-011), que le permitirá recibir señal de video de alta definición a través de un enlace de radiofrecuencia.

La pantalla es compatible con las siguientes entradas de video: DVI, S-Video y C-Video/SOG. Cuando la funcionalidad inalámbrica está activada, la pantalla es compatible con entrada de video digital RGB inalámbrica. Permite, asimismo, la comunicación a través de puerto USB y la comunicación en serie a través del puerto RS232.

Nota: La funcionalidad inalámbrica de la pantalla LED inalámbrica VisionPro SYNK 26" solo se puede activar a través del transmisor SYNK.

Para obtener más información e instrucciones sobre cómo utilizar el transmisor inalámbrico SYNK y la funcionalidad inalámbrica de la pantalla LED inalámbrica VisionPro SYNK 26", consulte el manual del sistema inalámbrico SYNK (P21693).

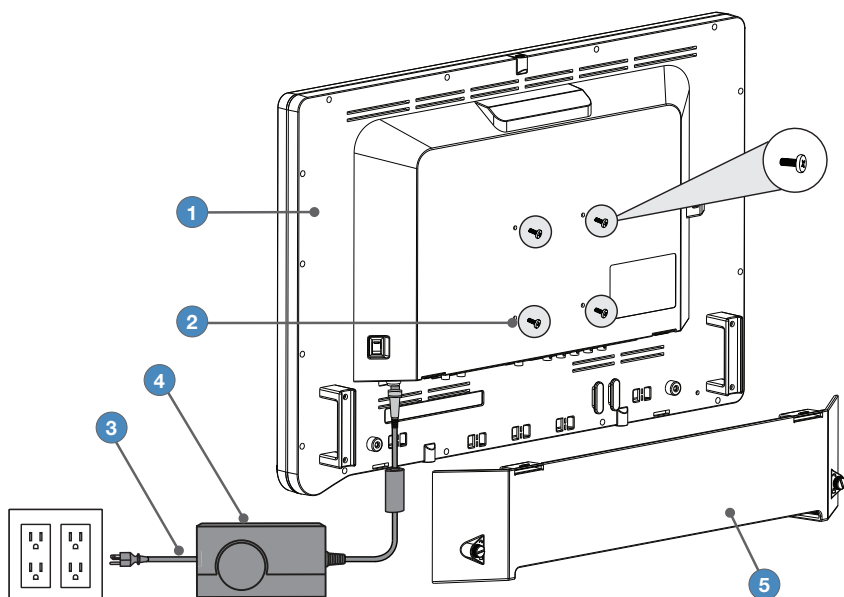
Uso previsto e indicaciones de uso

La pantalla de LED inalámbrica VisionPro SYNK 26" y la pantalla de LED VisionPro 26" están previstas para la visualización de vídeos durante procedimientos quirúrgicos, entre ellos, artroscopia (cirugía ortopédica), laparoscopia (cirugía ginecológica y general), toracoscopia, endoscopia (cirugía general, gastroenterológica y otorrinolaringológica) y cirugía general. La pantalla es un dispositivo sin esterilizar, reutilizable, no previsto para su uso en el campo estéril. Esta pantalla está prevista para su uso por parte de médicos con la debida formación que conozcan por completo estos procedimientos quirúrgicos.

Contraindicaciones

No existen contraindicaciones conocidas para este dispositivo.

Contenido de la unidad



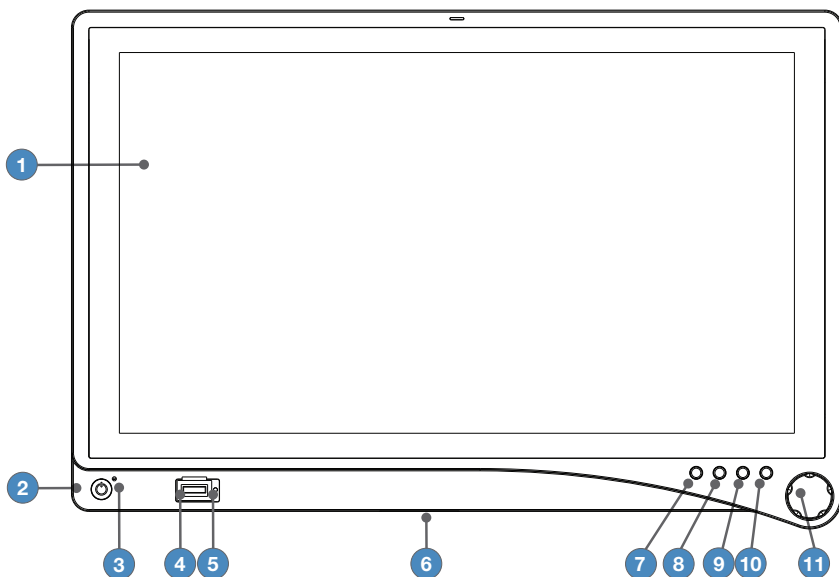
| Referencia | Número de referencia | Contenido de la unidad |
|------------|------------------------------|---|
| 1 | 0240-031-020 0240-031-000 | Pantalla LED VisionPro 26" o Pantalla LED inalámbrica VisionPro SYNK 26" |
| 2 | - | (4) tornillos VESA de M4 de 16 mm |
| 3 | - | Cable de alimentación específico para hospitales |
| 4 | 0240-031-004 | Fuente de alimentación para uso médico |
| 5 | - | Cubierta para cables |

| Número de referencia | Accesorios opcionales |
|----------------------|--|
| 0240-031-002 | Cubierta para pantalla VisionPro 26" |
| 0240-031-004 | Fuente de alimentación para uso médico |
| 0240-031-010 | Transmisor inalámbrico SYNK |
| 0240-030-951 | Extensión de cable de 4,5 m (5 patillas) |
| 0240-030-952 | Extensión de cable de 23 m (5 patillas) |

Características del dispositivo

Panel frontal

Haga funcionar la pantalla utilizando el control giratorio situado en el panel frontal. A continuación se suministra una lista de controles de la pantalla y sus funciones.



- | | |
|---|--|
| 1. Pantalla de visualización | Muestra imagen de vídeo. |
| 2. Interruptor de alimentación (software) | Enciende y apaga la pantalla. |
| 3. Indicador luminoso de encendido | Indica el estado actual: Verde: la pantalla recibe alimentación o está en modo de protector de pantalla Rojo intermitente: la pantalla está en modo de reposo Ámbar intermitente: sobretensión o tensión baja |
| 4. Ranura de token (solo con la pantalla LED inalámbrica VisionPro SYNK 26") | Sitio de inserción de token que se utiliza para establecer una conexión inalámbrica con el transmisor. |
| 5. LED de token (solo con la pantalla LED inalámbrica VisionPro SYNK 26") | Verde: la conexión está establecida Ámbar: inicializando Ámbar intermitente: error, póngase en contacto con el representante de servicio |
| 6. Conexión auxiliar | Admite conexiones de dispositivos auxiliares. |

7. Audio/PIP

Pantalla LED VisionPro 26":

Accede al menú de ajuste de PIP (una imagen dentro de otra imagen).

Pantalla LED inalámbrica VisionPro SYNK 26":

Presione dos veces para ver el menú de ajuste de imagen dentro de otra imagen.

Nota: La función de audio no está activada en ese momento.

8. Brillo

Accede al menú de ajuste del brillo.

9. Especialidad

Accede al menú de ajuste de la especialidad.

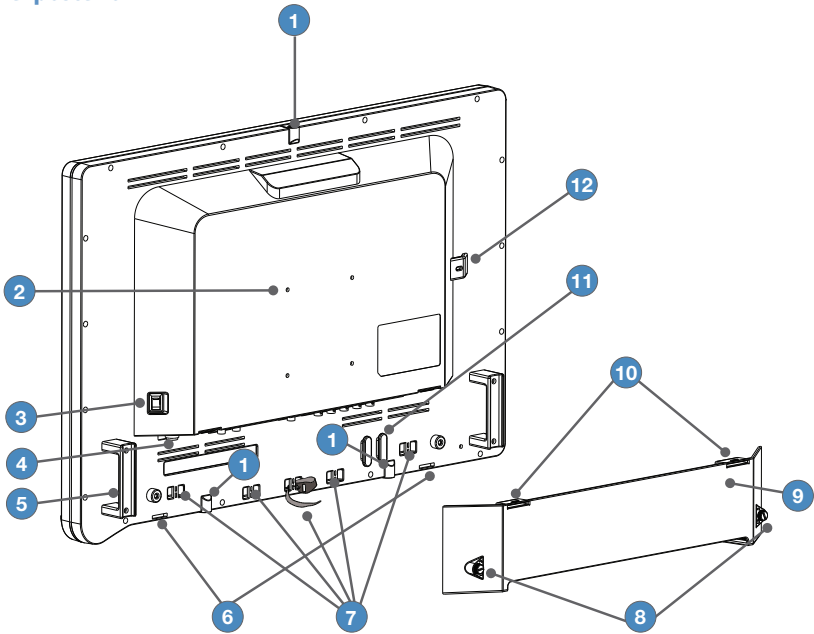
10. Entrada

Accede al menú de selección de la entrada.

11. Control giratorio

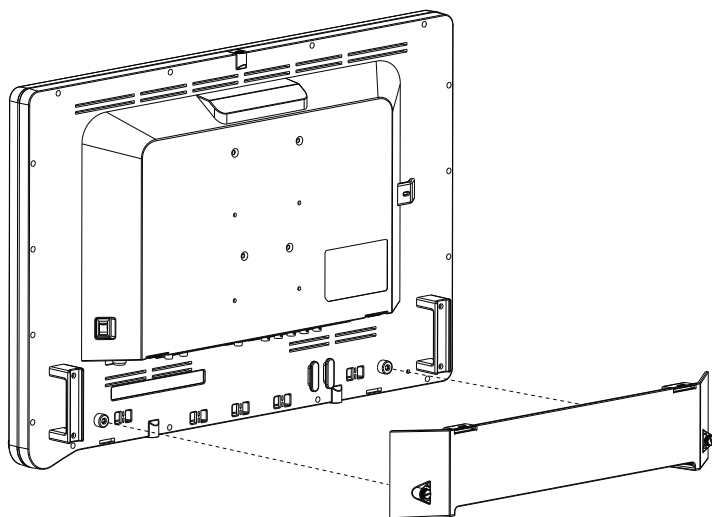
Accede a la presentación en pantalla y permite desplazarse por sus funciones.

Panel posterior



- 1. Para montaje de accesorios (3)** Proporciona un punto de acceso para montar los accesorios opcionales.
- 2. Orificios de montaje VESA** Proporciona puntos de acceso para montar la pantalla.
- 3. Interruptor de alimentación (en el dispositivo)** Enciende y apaga la alimentación de CC de entrada.
- 4. Conector de alimentación** Se conecta a la fuente de alimentación CC de 24 V.
- 5. Asas** Ayudan a colocar la pantalla.
Precaución: Las asas no están diseñadas para soportar todo el peso de la pantalla.
- 6. Bisagras de la cubierta para cables** Acopla la parte inferior de la cubierta para cables a la pantalla.
- 7. Correas de velcro** Las correas facilitan el manejo de los cables.
- 8. Tornillos de mariposa de la cubierta para cables** Acoplan la cubierta para cables a la pantalla y se aprietan y se aflojan con los dedos.
- 9. Cubierta para cables** Cubre y esconde los cables.
- 10. Pinzas de la cubierta para cables** Acopla la parte superior de la cubierta para cables a la pantalla.
- 11. Pestañas para cables** Proporciona un lugar para enrollar los cables.
- 12. Elemento de bloqueo** Aquí se puede conectar un cable o mecanismo de bloqueo por motivos de seguridad.

Cubierta para cables



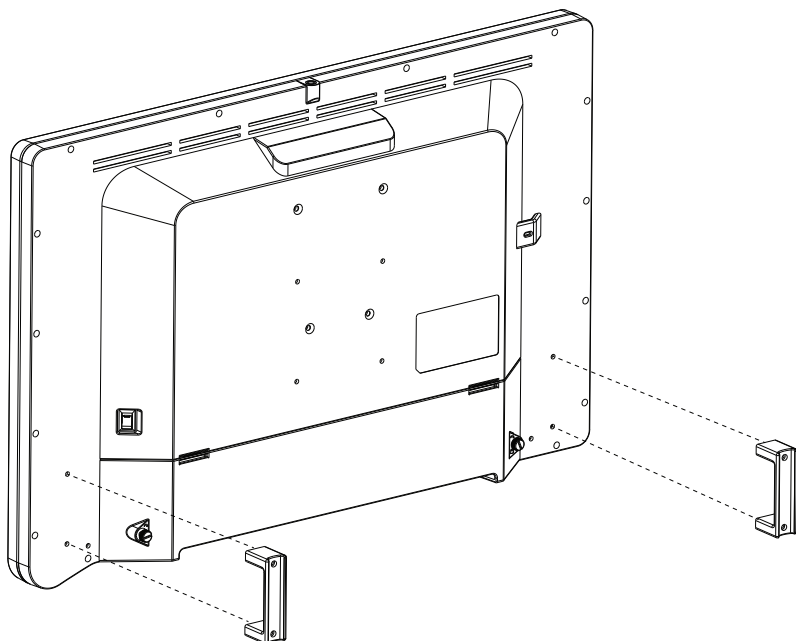
Instalación de la cubierta para cables

1. Alinee las bisagras izquierda y derecha de la cubierta para cables sobre la parte inferior de la pantalla.
2. Cierre con un clic la sección superior de la cubierta sobre los clips de alineación.
3. Con los dedos, gire los tornillos de mariposa en sentido horario para apretarlos y dejar la cubierta para cables fija sobre la pantalla.

Retirada de la cubierta para cables

1. Con los dedos, gire los tornillos de mariposa en sentido antihorario para aflojarlos.
2. Una vez que estén totalmente aflojados, apriete levemente los clips derecho e izquierdo y tire de la cubierta para cables hacia usted.
3. Retire la cubierta para cables de las bisagras derecha e izquierda.

Asas de la pantalla



Precaución: Las asas están diseñadas para facilitar el posicionamiento de la pantalla, no para el transporte de la misma. Las asas no deben soportar todo el peso de la pantalla.

Extracción de las asas de la pantalla

1. Con una llave hexagonal de 3 mm, afloje los dos tornillos M4 x 30 mm y tire suavemente del asa para separarla de la pantalla.

Instalación de las asas de la pantalla

1. Alinee el asa con los orificios de los tornillos en la parte posterior de la pantalla.
2. Con una llave hexagonal de 3 mm, instale los dos tornillos M4 x 30 mm para acoplar el asa.

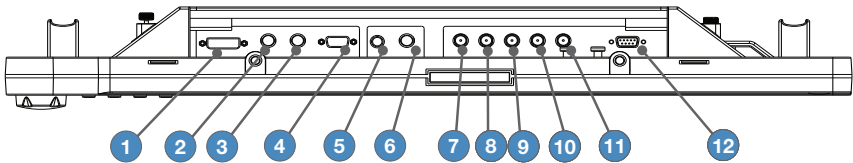
Configuración

Stryker Endoscopy considera la formación de instrucción o en el establecimiento como una parte integral de este dispositivo. Su representante local de Stryker Endoscopy realizará al menos una sesión de formación en su establecimiento para ayudarle a configurar el dispositivo y enseñarle tanto a usted como al resto del personal las instrucciones de utilización y mantenimiento. Contacte con su representante local de Stryker Endoscopy cuando haya recibido el dispositivo para solicitar una sesión formativa en su establecimiento.

Conexiones

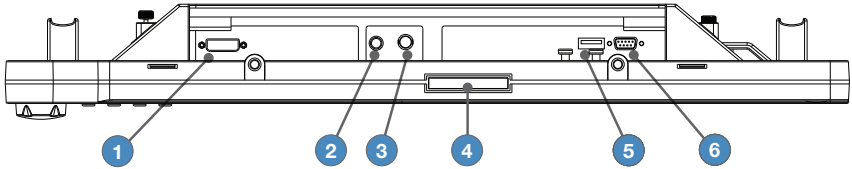
Puertos de conexión de la pantalla LED VisionPro 26"

Las señales de entrada y salida de vídeo se conectan a la parte posterior de la pantalla, tal como se ilustra a continuación:



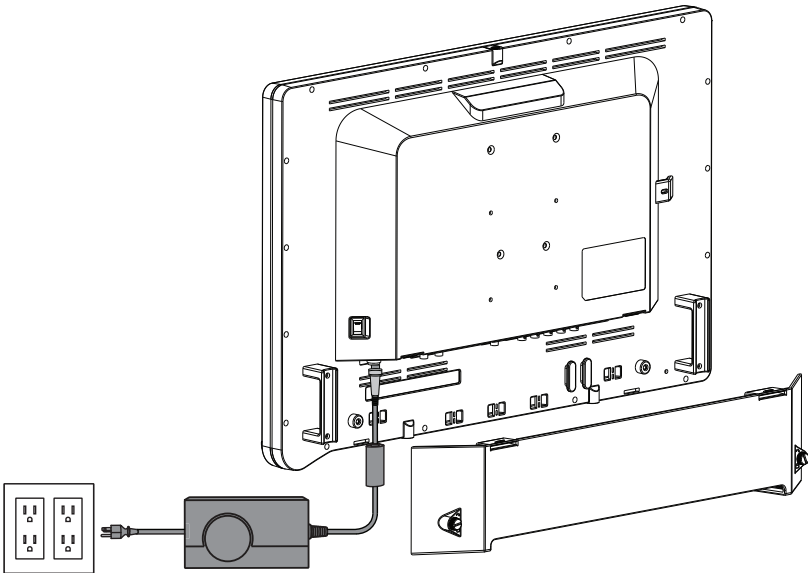
- | | |
|----------------------------|------------|
| 1. DVI | 7. R/Pr |
| 2. 3G/HD/SD Entrada SDI | 8. G/Y |
| 3. 3G/HD/SD Salida SDI | 9. B/Pb |
| 4. VGA | 10. Sinc H |
| 5. S-Video | 11. Sinc V |
| 6. C-Video/SOG | 12. RS232 |

Puertos de conexión de la pantalla LED inalámbrica VisionPro SYNK 26"



- | | |
|----------------|----------------------|
| 1. DVI | 4. Conector auxiliar |
| 2. S-Vídeo | 5. USB |
| 3. C-Video/SOG | 6. RS232 |

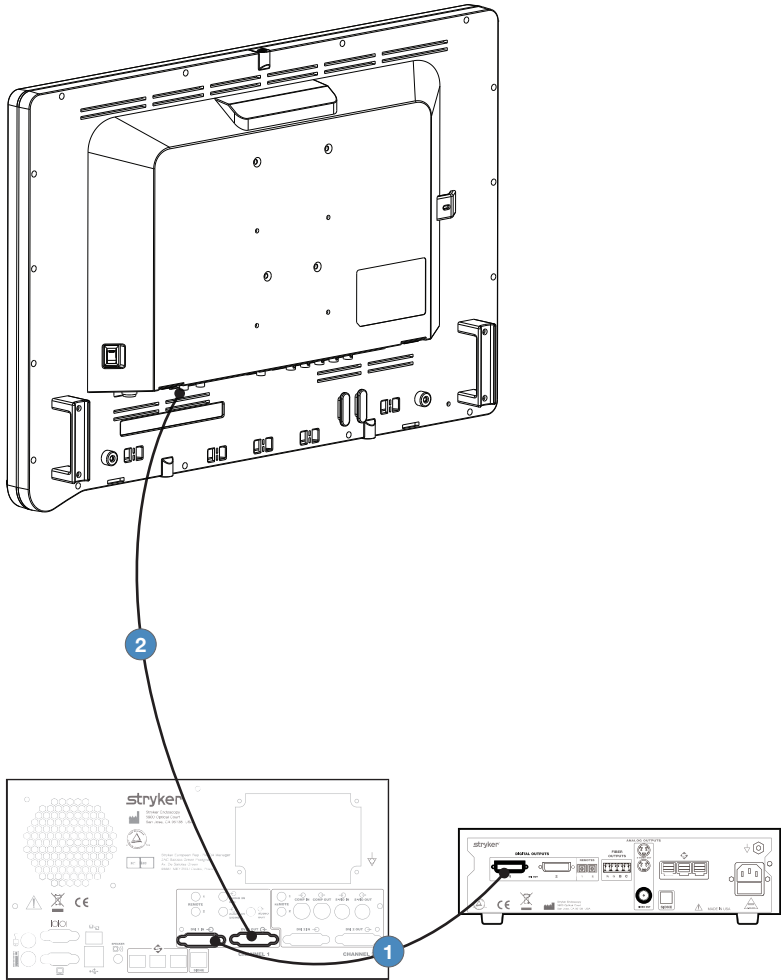
Conexión de la fuente de alimentación



1. Conecte la fuente de alimentación a la entrada de 24 V en la pantalla.
2. Conecte el cable de alimentación de CA a la fuente de alimentación*.
3. Conecte la toma de corriente CA utilizando el cable de alimentación específico para hospitales suministrado.
4. Conecte una extensión entre la fuente de alimentación y la pantalla (opcional, no se muestra).
5. Instale la cubierta para cables.

* Información de alimentación: número de modelo: BPM150S24F11, fabricante: Bridgepower Corp.

Configuración básica de vídeo



1. Encamine la salida de vídeo 1 de la cámara a la entrada SDC DVI.
2. Encamine la salida de vídeo 1 de la salida SDC DVI a la entrada DVI de la pantalla.

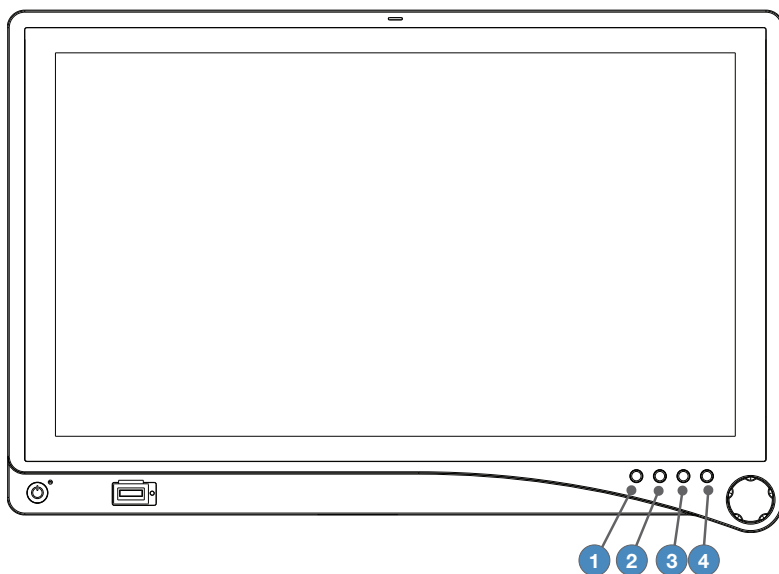
Nota: Stryker recomienda una conexión de respaldo a la cámara.

Funcionamiento

Haga funcionar la pantalla utilizando el control giratorio y los cuatro botones situado en el panel frontal. A continuación se suministra una lista de controles de la pantalla y sus funciones.

Visualización en pantalla (OSD)

Acceso a la presentación en pantalla



Para utilizar los cuatro botones del panel frontal:

1. **Audio/PIP (Pantalla LED inalámbrica VisionPro SYNK 26"):**
 - Presione dos veces para activar el modo de imagen (una imagen dentro de otra imagen, imagen por imagen, una imagen sobre otra imagen)
2. **PIP (Pantalla LED VisionPro 26"):**
 - Presione para activar el modo de imagen (una imagen dentro de otra imagen, imagen por imagen, una imagen sobre otra imagen)
3. **Brillo:** Activa el menú de ajuste del brillo.
4. **Especialidad:** Activa el menú de ajuste de la especialidad.
5. **Entrada:** Activa el menú de selección de la entrada.

Utilice el control giratorio para navegar por los menús de la pantalla una vez activados:

- **Pulsar** — Permite acceder o seleccionar el menú de presentación en pantalla.
- **Girar a derecha/izquierda** — Cuando está activada la presentación del menú en pantalla, al girar este control aumenta/disminuye el valor del parámetro seleccionado.
- **Mantener pulsado** — Sale del menú de presentación en pantalla.

Uso de la visualización en pantalla

La OSD del dispositivo le permite recorrer los diversos menús del dispositivo.

1. Pulse el **control giratorio** para activar el menú de OSD.
2. Gire el **control giratorio** para desplazarse hacia arriba o hacia abajo por el menú. El parámetro queda resaltado cuando se selecciona.
3. Pulse el **control giratorio** para ingresar al siguiente nivel de la presentación OSD.
4. Gire el **control giratorio** para aumentar o disminuir el valor del parámetro seleccionado, o para seleccionar entre varias opciones diferentes.
5. Para salir de la pantalla del menú de la presentación OSD desde el menú de la presentación OSD de segundo o tercer nivel, seleccione la opción Exit (Salir). Para salir completamente de la presentación OSD, pulse y mantenga el **control giratorio**. Si no pulsa ninguna tecla, la OSD le hará salir automáticamente después del tiempo predeterminado establecido en fábrica (este tiempo se puede adaptar).

Menús de OSD

Speciality (Especialidad)

| Elemento del menú | Descripción | Intervalo |
|---|--|---------------------|
| Color Temperature (Temperatura del color)* | Elige entre las temperaturas de color para el valor de laparoscopia A, laparoscopia B, artroscopia A, artroscopia B, estándar, PACS, NORM, otorrinolaringología y ginecología. | — |
| Red (Rojo) | Balance de rojo | -128–127 |
| Green (Verde) | Balance de verde | -128–127 |
| Blue (Azul) | Balance de azul | -128–127 |
| Gamma | Valor de gamma | 0,1–2,5, S0, S1, S2 |

* El ajuste de RGB de la temperatura del color está disponible únicamente para configuraciones estándar, de artroscopia y de laparoscopia. Los ajustes PACS y Norm solamente están disponibles bajo entrada SOG.

Audio (el menú no está activo en este momento)

Brightness Settings (Configuración del brillo)

| Elemento del menú | Descripción | Intervalo |
|--|--|-----------|
| Brightness (Brillo) | Permite aumentar o disminuir el brillo. | 0–100 |
| Contrast (Contraste) | Permite aumentar o disminuir el contraste. | 0–100 |
| Phase (Fase)** | Permite aumentar o disminuir el nivel de fase. | 0–100 |
| Chroma (Crominancia)** | Permite aumentar o disminuir el nivel de crominancia. | 0–100 |
| Image Sharpness (Definición de la imagen) | Permite establecer la definición de la imagen. | 1–10 |
| Video Sharpness (Definición de video)** | Permite aumentar o disminuir la definición de la imagen. | 0–100 |

** Solo está disponible bajo entrada de video SDI, S-Video o C-Video.

Image Effect (Efecto de imagen)

| Elemento del menú | Descripción |
|---------------------------------------|--|
| Scale Mode (Modo de escala) | Permite elegir entre pantalla completa, relleno vertical, relleno horizontal, uno a uno (1:1) o relleno hasta aspecto. |
| Freeze Frame (Congelar cuadro) | Activa y desactiva la congelación de cuadros. |
| PIP | Habilita la función PIP (picture in picture – una imagen dentro de otra imagen). |
| POP | Habilita la función POP (picture on picture – una imagen sobre otra imagen). |
| PBP | Habilita la función PBP (picture by picture – imagen por imagen). |

Advance Settings (Ajustes avanzados)

| Elemento del menú | Descripción | |
|--|---|---|
| Key Lock (Bloqueo de tecla) | Bloqueo de tecla activado: desactiva todas las funciones de las teclas. Mantenga pulsado el botón giratorio para desactivar el bloqueo de tecla. | |
| Auto Source Select (Selección automática de la fuente) | Explora las entradas hasta detectar una fuente de vídeo activa. Auto Source Select se desactiva durante los modos PIP/POP/PBP. | |
| Sleep Timer (Cronómetro de suspensión) | On (Encendido): la pantalla pasa al modo de suspensión si no se detecta ninguna fuente de vídeo activa. | |
| | Off (Apagado): la pantalla no entrará en el modo de suspensión. | |
| | Timer (Cronómetro): establezca el tiempo necesario para que la pantalla pase al modo de suspensión si no se detecta ninguna fuente de vídeo activa. | |
| OSD Control (Control de OSD) | Controla la posición del menú de OSD (presentación en pantalla), el fondo y el tiempo de espera. | |
| Restore Factory Settings (Restaurar valores predeterminados de fábrica) | Restaura el valor predeterminado de fábrica. | |
| Screen Control (Control de pantalla) | VGA | <ul style="list-style-type: none">• Horizontal• Vertical• Fase• Frecuencia |
| | S-Video, C-Video, SOG, RGB, Componente | <ul style="list-style-type: none">• Horizontal• Vertical |

SYNK (para la pantalla LED inalámbrica VisionPro SYNK 26")

| Estado | Descripción |
|--|-------------|
| RX APP: XX.XX.XX RX MAC: XX.XX.XX.XX | Receptor |
| TX APP: XX.XX.XX TX MAC: XX.XX.XX.XX | Transmisor |
| WiFi SW: XXX-X.XX SEÑAL = Excelente, buena, mala Región predeterminada: XXX FREC.: XXXX MHz | Transmisor |

Information (Información)

| Elemento del menú | Descripción |
|---|--|
| User Name Entry (Entrada de nombre de usuario) | Permite introducir la pantalla personalizada de nombre de usuario para la presentación de la pantalla de arranque. |
| Serial Number (Número de serie) | Muestra el número de serie del dispositivo. |
| Runtime (Tiempo de operación) | Muestra el tiempo de operación actual total del dispositivo. |
| Input Format (Formato de entrada) | Muestra el formato de entrada actual. |

Nota: Los valores reales de las presentaciones en pantalla pueden variar de acuerdo con las versiones actualizadas del firmware y la configuración del usuario.

Resolución de problemas

Antes de devolver la pantalla para que reciba servicio técnico, consulte la lista de solución de problemas indicada a continuación:

| Problema | Estado actual | Solución | |
|-------------------------------------|---|--|--|
| Ausencia de imagen | LED de potencia encendido | Utilice menú de OSD para ajustar el brillo y el contraste al máximo, o bien restablezca estos parámetros en sus valores predeterminados. | |
| | LED de encendido apagado | Asegúrese de que el interruptor de encendido en la parte anterior y posterior de la pantalla esté fijado en la posición de encendido. | |
| | | Compruebe si el cable de alimentación de CA está debidamente conectado a su adaptador y tomacorriente. | |
| | | Compruebe que la fuente de alimentación esté bien conectada y funcione correctamente. | |
| LED de potencia parpadea | Rojo | La pantalla está en modo de suspensión. Pulse cualquier tecla para activar la pantalla. | |
| | Ámbar | La fuente de alimentación puede estar sometida a tensión baja o sobretensión. | |
| Imagen anormal | Presentación excesivamente grande o pequeña, o vídeo ausente; o desplazamiento hacia el centro. | Con el menú de la pantalla, ajuste los valores de Fase, Frecuencia, Horizontal y Vertical para corregir la imagen en pantalla. | |
| | | Ajuste la configuración en el modo de escala. | |
| | | Solo para la entrada VGA: mantenga pulsado el control giratorio durante 1–2 segundos para volver a sincronizar la señal de vídeo. | |
| | | Espere unos segundos tras la sincronización inicial de las señales de vídeo o apague y encienda la pantalla. | |
| Mensaje de error OSD | “Out of Range” (Fuera de rango) | Asegúrese de que esté conectada una fuente de vídeo aceptable. | |
| LED del token en ámbar intermitente | Error | Póngase en contacto con el representante de servicio. | |

Limpieza y mantenimiento



Advertencia

Para evitar sufrir una descarga eléctrica y lesiones potencialmente mortales, desenchufe la pantalla y la fuente de alimentación de la toma de red eléctrica antes de limpiarla.

Precaución

- No pulverice el líquido de limpieza directamente sobre la pantalla ni sobre la fuente de alimentación, ya que podrían dañarse los productos Rocíe sobre el paño antes de limpiar la unidad.
- No sumerja la pantalla ni la fuente de alimentación en ningún líquido, ya que podrían dañarse.
- No utilice soluciones de limpieza corrosivas para limpiar la pantalla o la fuente de alimentación, ya que esta podría dañarse.
- No esterilice la pantalla ni la fuente de alimentación, ya que podrían dañarse.

Limpieza

Para limpiar la pantalla o la fuente de alimentación:

1. Si la cubierta de la pantalla está colocada, retírela antes de la limpieza.
2. **Para la pantalla LED inalámbrica VisionPro SYNK 26"**: asegúrese de colocar la tapa en la ranura de token antes de limpiar.
3. Aplique un desinfectante estándar o un detergente suave en un paño estéril seco.
4. Limpie la pantalla o la fuente de alimentación.
5. Tenga especial cuidado al limpiar la pantalla de visualización. El producto puede resultar dañado si se le aplica un exceso de líquido o gotas que lleguen a la parte inferior de la pantalla o al receptáculo de alimentación.

Inspección

Inspeccione el producto siempre antes del uso. Consulte el apartado Resolución de problemas de este documento si es evidente alguna de las siguientes situaciones. Si el rendimiento del producto sigue siendo insatisfactorio, deje de usarlo y póngase en contacto con el representante de Stryker.

- Ninguna imagen, imagen anómala o calidad de imagen inaceptable
- No se enciende
- Funcionalidad del mando o de los botones inadecuada, o estos no responden
- Daños físicos significativos en la pantalla o los accesorios, incluyendo claridad inaceptable de la pantalla, recubrimientos dañados, corrosión, ruidos anómalos, desgarros en el cable, conductores expuestos o daños que impidan una conexión de montaje segura
- El LED de encendido parpadea en ámbar

Vida útil prevista

La vida útil del dispositivo y de sus accesorios viene determinada principalmente por el desgaste, los métodos de limpieza y los posibles daños que se deriven de su uso. Para ampliar el periodo entre reparaciones del dispositivo, siga siempre las instrucciones de cuidado y manipulación de este manual de usuario y del manual de usuario de los accesorios del dispositivo.

Eliminación



En cumplimiento de la Directiva europea 2012/19/UE sobre residuos de aparatos eléctricos y electrónicos (RAEE) y sus modificaciones, el producto y sus accesorios se deben desechar por separado para su reciclaje. No los deseche como residuo urbano sin clasificar. Póngase en contacto con el distribuidor local para obtener información sobre la eliminación. Asegúrese de que el equipo infectado se limpie de acuerdo con el apartado Limpieza de estas instrucciones de uso y de las instrucciones de uso de los accesorios del dispositivo antes de su reciclaje.

Deseche los accesorios del sistema de conformidad con las prácticas institucionales habituales que rigen la eliminación de artículos potencialmente contaminados.

Notificación de acontecimientos adversos

Todos los incidentes graves que se hayan producido en relación con este dispositivo se deben notificar a Stryker y, en la Unión Europea, a la autoridad competente del Estado miembro en el que resida la persona afectada.

Especificaciones técnicas

Pantalla

| | |
|---|---|
| Panel de pantalla LCD | 26" (661 mm) en diagonal (LCD a-Si con matriz activa TFT) |
| Sincronización | Sincronización separada 2,5–5,0 Vpp |
| Tamaño del píxel | 0,300 (H) x 0,300 (V) mm |
| Tiempo de respuesta | < 18 ms gen. |
| Ángulo de visualización | Derecha/Izquierda/Arriba/Abajo 89 grados |
| Colores del monitor | 1.000 millones de colores (10 bit) |
| Resolución original | 1920 (H) puntos x 1080 (V) líneas |
| Señales de la pantalla LED VisionPro 26" | DVI, VGA, 3G/HD/SD-SDI (entrada/salida), C-Video/SOG, S-Video, componentes/RGGBS (Y/G, Pb/B, Pr/R, HS, VS), RS232 |
| Señales de la pantalla LED inalámbrica VisionPro 26" SYNK: | RGB digital inalámbrica, DVI, S-Video, C-Video/SOG, RS232 y USB |
| Reloj de píxel máximo | 165 MHz |

Eléctrica

| | |
|---|--|
| Adaptador de alimentación | Entrada: 100–240 VCA; 50–60 Hz; 2,5 A (2,5A - 1,5A) Salida: 24 VCC; 6,25 A (150 W máx.) Número de modelo: BPM150S24F11 |
| Consumo de potencia (aproximado) | 35–65 W |

Voltaje nominal

Asegúrese de que el cable de alimentación correspondiente cumpla las normativas locales.

| | |
|--|--|
| Salidas de alimentación de 110 V +/- 10 V | Seleccione un cable de alimentación aprobado por UL y con certificación de la CSA, de tipo SJT o SVT, conductor 3, calibre 18 AWG, con una terminación en clavija de uso hospitalario para 110 V +/- 10 V, 15 A, con una longitud mínima de 1,8 metros. |
| Salidas de alimentación de 220 V +/- 20 V | Seleccione un cable de alimentación conforme con las normas internacionales y con la marca "<HAR>", conductor 3, con un alambre de un mínimo de 0,75 mm ² , calificado para 220 V +/- 20 V, 10 A con una cubierta con aislamiento de PVC. El cable debe tener una clavija calificada para 220 V +/- 20 V, 10 A. El cable y la clavija deben ser apropiados para uso médico. |

Dimensiones

| | |
|-----------------------------------|-----------------------|
| Dimensiones (An x Al x Pr) | 660,4 x 442 x 86,4 mm |
| Peso (aproximado) | 8,3 kg |
| Interfaz de montaje VESA | VESA 100 x 100 mm |

Condiciones de funcionamiento

| | |
|--------------------------------------|----------|
| Intervalo de temperatura | 10–40 °C |
| Intervalo de humedad relativa | 25–75 % |

Condiciones de transporte y almacenamiento

| | |
|--------------------------------------|-----------|
| Intervalo de temperatura | -18–60 °C |
| Intervalo de humedad relativa | 15–90 % |

Clasificación y aprobaciones

Equipo de Clase 1

Equipo médico con respecto a riesgos de descarga eléctrica, incendio y mecánicos, únicamente de acuerdo con UL 60601-1 y CAN/CSA C22.2 n.º 601.1.

IP23: protección contra el acceso a partes peligrosas de los dedos u objetos similares, protección contra la entrada de agua pulverizada (menos de 60° respecto a la vertical)
Funcionamiento continuo

Cumplimiento

Normas de la FCC

Pantalla LED VisionPro 26":

FCC Parte 15 Clase B

Identificador FCC: QVXAMM261WTDS

Pantalla LED inalámbrica VisionPro SYNK 26":

FCC Parte 15 Clase B

Identificador FCC: QVXAMM261WTDSW

FCC Parte 15 Clase C

Identificador FCC: SSH-SYNKRX (placa receptora)

Identificador FCC: SSH-SDMAN (placa de accesorios)

Normativas IC

Pantalla LED inalámbrica VisionPro SYNK 26":

IC: 4919C-SYNKRX (placa receptora)

IC: 4919C-SDMAN (placa de accesorios)

Nota: Contacte con un representante de ventas local de Stryker Endoscopy para obtener información sobre modificaciones y nuevos productos.

Compatibilidad electromagnética

Al igual que otros dispositivos electromédicos, las pantallas LED VisionPro 26" y VisionPro SYNK 26" inalámbrica requieren la aplicación de unas precauciones especiales para garantizar la compatibilidad electromagnética con otros dispositivos electromédicos. Para garantizar la compatibilidad electromagnética (CEM), la pantalla debe instalarse y utilizarse de acuerdo con la información sobre CEM que se proporciona en este manual. La pantalla se ha diseñado y probado para que sea compatible con los requisitos de la norma IEC 60601-1-2 sobre compatibilidad electromagnética con otros dispositivos.

Nota: Este equipo es para uso en un entorno de atención médica profesional. No es para uso en salas blindadas de RF de un sistema electromédico para la obtención de imágenes por resonancia magnética, donde la intensidad de las perturbaciones EM es alta.

Nota: Es poco probable que este equipo sea sensible a interferencias de instrumentos quirúrgicos de alta frecuencia en un entorno específico en el que se halle muy próximo a un instrumento quirúrgico de alta frecuencia activo. En caso de que se perciban interferencias de instrumentos quirúrgicos de alta frecuencia, ajuste la distancia de separación del equipo.



Advertencia

Cuando se conecte este dispositivo con otros equipos electrónicos, las corrientes de fuga pueden ser acumulativas. Para reducir al mínimo la corriente de fuga total al paciente, asegúrese de que todos los sistemas estén instalados según los requisitos de la IEC 60601-1-1.

Precaución

El uso de equipos de comunicaciones por RF (radiofrecuencia) portátiles y móviles puede perjudicar el funcionamiento normal de la pantalla. No utilice cables ni accesorios distintos de los que se proporcionan con la pantalla, ya que podría aumentar la cantidad de emisiones electromagnéticas o disminuir la inmunidad a dichas emisiones. Si la pantalla se utiliza al lado o encima de otros equipos, antes de utilizarlo en una intervención quirúrgica, observe y compruebe si la pantalla funciona correctamente de acuerdo con la configuración que se va a utilizar. Consulte las tablas que aparecen a continuación para obtener instrucciones sobre la ubicación de la pantalla.


| Guía y declaración del fabricante: Emisiones electromagnéticas | | |
|--|--------------|---|
| Las pantallas LED VisionPro 26" y VisionPro SYNK 26" inalámbrica se han diseñado para usarse en el entorno electromagnético especificado a continuación. El cliente o el usuario de la pantalla deben asegurarse de que se utilice en dicho entorno. | | |
| Ensayo de emisiones | Cumplimiento | Guía de entorno electromagnético |
| Emisiones de radiofrecuencia CISPR11 | Grupo 1 | Las pantallas utilizan energía de radiofrecuencia (RF) sólo para su funcionamiento interno. Por lo tanto, las emisiones de RF son muy bajas y no es probable que causen interferencias en equipos electrónicos situados cerca. |
| Emisiones de radiofrecuencia CISPR11 | Clase B | Las pantallas se pueden utilizar en todo tipo de centros, además de residencias y locales que se encuentran directamente conectados a redes públicas de alimentación de baja tensión que abastecen inmuebles utilizados con fines domésticos, siempre y cuando se respete la siguiente advertencia: |
| Emisiones de armónicos IEC 61000-3-2 | Clase D | |
| Fluctuaciones de tensión y flicker (parpadeos) IEC 61000-3-3 | Conforme | Advertencia: este sistema está destinado a ser empleado únicamente por profesionales sanitarios. Este sistema puede producir interferencias de radio o alteraciones en el funcionamiento de equipos cercanos. Podría ser necesario tomar medidas atenuantes, tales como cambiar la orientación o el emplazamiento del sistema o instalar blindaje en los alrededores. |

| Guía y declaración del fabricante: Inmunidad electromagnética | | | |
|--|---|--|---|
| La pantalla LED VisionPro 26" y la pantalla LED inalámbrica VisionPro SYNK 26" se han diseñado para usarse en el entorno electromagnético especificado a continuación. El cliente o el usuario de la pantalla deben asegurarse de que se utilice en dicho entorno. | | | |
| Prueba de inmunidad | Nivel de prueba IEC 60601 | Nivel de conformidad | Guía de entorno electromagnético |
| Descarga electrostática (DES) IEC 61000-4-2 | ± 8 kV por contacto ± 15 kV por aire | ± 8 kV por contacto ± 15 kV por aire | Los suelos deberán ser de madera, hormigón o baldosas de cerámica. Si los suelos están cubiertos con material sintético, la humedad relativa debe ser al menos del 30 %. |
| Transitorios eléctricos rápidos en ráfagas IEC 61000-4-4 | ± 2 kV para las líneas de suministro eléctrico ± 1 kV para líneas de entrada/salida (si corresponde) | ± 2 kV línea a tierra ± 1 kV línea a línea (si corresponde) | La calidad del suministro eléctrico debe ser equivalente a la de un entorno comercial u hospitalario típico. |
| Ondas de choque IEC 61000-4-5 | ± 1 kV en modo diferencial ± 2 kV en modo común | ± 1 kV en modo diferencial ± 2 kV en modo común | La calidad del suministro eléctrico debe ser equivalente a la de un entorno comercial u hospitalario típico. |
| Huecos de tensión, interrupciones breves y variaciones de tensión en las líneas de entrada de suministro eléctrico IEC 61000-4-11 | 0 % U_i , 0,5 ciclos 0 % U_i , 1 ciclo 70 % U_i , 25 ciclos 0 % U_i , 5 s | 0 % U_i , 0,5 ciclos 0 % U_i , 1 ciclo 70 % U_i , 25 ciclos 0 % U_i , 5 s | La calidad del suministro eléctrico debe ser equivalente a la de un entorno comercial u hospitalario típico. Si el usuario del transmisor necesita utilizarlo de forma continuada durante interrupciones del suministro de la red eléctrica, se recomienda alimentarlo a través de una batería o a una fuente de alimentación ininterrumpida. |
| Campo magnético a frecuencia industrial (50/60 Hz) IEC 61000-4-8 | 30 A/m | 30 A/m | Los campos magnéticos a frecuencia industrial deben tener los niveles característicos de un emplazamiento típico en un entorno comercial u hospitalario típico. |
| Nota: U_i es la tensión del suministro eléctrico de CA antes de aplicar el nivel de prueba. | | | |

Guía y declaración del fabricante: Inmunidad electromagnética

La pantalla LED VisionPro 26" y la pantalla LED inalámbrica VisionPro SYNK 26" se han diseñado para usarse en el entorno electromagnético especificado a continuación.

El cliente o el usuario de la pantalla deben asegurarse de que se utilice en dicho entorno.

| Prueba de inmunidad | Nivel de prueba IEC 60601 | Nivel de conformidad | Guía de entorno electromagnético |
|---|--|----------------------|---|
| Radiofrecuencia conducida IEC 61000-4-6 Radiofrecuencia radiada IEC 61000-4-3 | 3 Vrms 150 kHz a 80 MHz 10 V/m 80 MHz a 2,7 GHz | 3 V 10 V/m | <p>Cuando se utilicen equipos de comunicaciones por radiofrecuencia portátiles y móviles cerca de los componentes de las pantallas, incluidos los cables, debe mantenerse la distancia de separación recomendada calculada a partir de la ecuación correspondiente a la frecuencia del transmisor.</p> <p>Distancia de separación recomendada:</p> $d = 2 \sqrt{P} \text{ MHz a } 2,7 \text{ GHz}$ <p>donde "P" es la potencia nominal de salida máxima del transmisor en vatios (W) según el fabricante del transmisor, y "d" es la distancia de separación recomendada en metros (m).</p> <p>La intensidad de campo procedente de transmisores fijos de RF, determinada por un estudio electromagnético del lugar (a), debe estar por debajo del grado de conformidad de cada intervalo de frecuencia (b).</p> <p>Pueden producirse interferencias en la proximidad de equipos que llevan el siguiente símbolo:</p>  |
| <p>(a) Las intensidades de campos procedentes de transmisores fijos, como estaciones base de radioteléfonos (móviles/inalámbricos) y radios móviles terrestres, equipos de radioaficionados, equipos de radiodifusión en bandas AM y FM y emisiones televisivas no pueden predecirse teóricamente con precisión. Para evaluar el entorno electromagnético debido a los transmisores de radiofrecuencia fijos, se debe considerar la posibilidad de realizar un estudio electromagnético del lugar. En caso de que la equipotencia cuantificable del campo en el lugar en el que se utilicen las pantallas LED VisionPro 26" y VisionPro SYNK 26" inalámbrica supere el nivel de cumplimiento de radiofrecuencia aplicable antes mencionado, deberá comprobarse la pantalla y el transmisor para asegurarse de que funcionan correctamente. Si observa un funcionamiento anómalo, puede ser necesario tomar medidas adicionales como, por ejemplo, cambiar la orientación o la ubicación de la pantalla.</p> <p>(b) En el intervalo de frecuencia de 150 kHz a 80 MHz, las intensidades de campo deben ser inferiores a 3 V/m.</p> | | | |

| Especificaciones probadas de inmunidad frente a los equipos de comunicaciones inalámbricas por RF | | | | | | |
|---|-------------|--|---|---------------------|---------------|------------------------------------|
| Frecuencia de prueba (MHz) | Banda (MHz) | Reparación | Modulación | Potencia máxima (W) | Distancia (m) | Nivel de prueba de inmunidad (V/m) |
| 385 | 380-390 | TETRA 400 | Modulación por impulsos 18 Hz | 1,8 | 0,3 | 27 |
| 450 | 430-470 | GMRS 460, FRS 460 | FM ± 5 kHz de desviación Onda sinusoidal de 1 kHz | 2 | 0,3 | 28 |
| 710 | 704-787 | Banda LTE 13, 17 | Modulación por impulsos 217 Hz | 0,2 | 0,3 | 9 |
| 745 | | | | | | |
| 780 | | | | | | |
| 810 | 800-960 | GSM 800/900, TETRA 800, iDEN 820, CDMA 850, Banda LTE 5 | Modulación por impulsos 18 Hz | 2 | 0,3 | 28 |
| 870 | | | | | | |
| 930 | | | | | | |
| 1720 | 1700-1990 | GSM 1800; CDMA 1900; GSM 1900; DECT; Banda LTE 1, 3, 4, 25; UMTS | Modulación por impulsos 217 Hz | 2 | 0,3 | 28 |
| 1845 | | | | | | |
| 1970 | | | | | | |
| 2450 | 2400-2570 | Bluetooth, WLAN, 802.11 b/g/n, RFID 2450, Banda LTE 7 | Modulación por impulsos 217 Hz | 2 | 0,3 | 28 |
| 5240 | 5100-5800 | WLAN 802.11 a/n | Modulación por impulsos 217 Hz | 0,2 | 0,3 | 9 |
| 5500 | | | | | | |
| 5785 | | | | | | |
| Nota: Los equipos portátiles de comunicación RF no deben utilizarse a menos de 30 cm de las pantallas LED VisionPro 26" y VisionPro SYNK 26" inalámbrica. De lo contrario, podría producirse una disminución del rendimiento de este equipo. | | | | | | |
| Por la presente, Stryker declara que la pantalla LED inalámbrica VisionPro 26" SYNK cumple los requisitos esenciales y otras disposiciones relevantes de la directiva 1999/5/CE. Es posible obtener una copia de la declaración de conformidad solicitándola a Stryker Endoscopy, 5900 Optical Court, San Jose, CA 95138, EE. UU. | | | | | | |

Símbolos y definiciones

Los siguientes símbolos aparecen en el producto, sus etiquetas o su embalaje. Cada símbolo tiene un significado específico, tal como se define a continuación:



Consulte las instrucciones de uso



Atención: Consulte las instrucciones de uso



Número de serie



Cantidad



Intervalo de temperatura



Intervalo de humedad



Representante europeo autorizado



País de procedencia



Número de referencia



Corriente continua



Fecha de fabricación



Fabricante legal



Sometido a prueba para que cumpla con las normas de Clase B y C de la FCC



Transmisión inalámbrica



La ley federal de EE. UU. limita la venta de estos dispositivos a un médico o bajo su autorización expresa



El dispositivo cumple los requisitos de la norma de la Unión Europea sobre productos sanitarios



Código de reciclaje del dispositivo (aplicable en China)



Marca de certificación obligatoria en China

IP23

El alojamiento del sistema ofrece protección contra:

- Acceso a partes peligrosas de los dedos u objetos similares
- Pulverización de agua (a menos de 60 ° respecto a la vertical)



Cumple los requisitos normativos australianos



El equipo médico cumple con las normas AAMI ES60601-1 y CSA C22.2 n.º 60601-1-08-CAN/CSA respecto a descargas eléctricas, peligros mecánicos y de incendio



Este producto contiene residuos de equipos eléctricos o electrónicos. No debe desecharse como residuo municipal ordinario y debe recogerse por separado.



Producto sanitario de la Unión Europea

Inhoudsopgave

| | |
|---|---------------|
| Waarschuwingen en voorzorgsmaatregelen | NL-191 |
| Informatie over uw hulpmiddel..... | NL-194 |
| Beoogd gebruik en indicaties voor gebruik..... | NL-195 |
| Contra-indicaties | NL-195 |
| Inhoud van de verpakking..... | NL-196 |
| Functies van het hulpmiddel..... | NL-197 |
| Opstelling..... | NL-202 |
| Aansluitingen | NL-202 |
| Basisopstelling voor video..... | NL-204 |
| Bediening..... | NL-205 |
| Instelscherm (OSD)..... | NL-205 |
| Instelschermmenu's..... | NL-207 |
| Problemen oplossen | NL-210 |
| Reiniging en onderhoud | NL-211 |
| Technische specificaties | NL-213 |
| Elektromagnetische compatibiliteit | NL-215 |
| Symbolen en definities..... | NL-219 |

Waarschuwingen en voorzorgsmaatregelen

Lees deze handleiding zorgvuldig door en volg de instructies nauwkeurig op. De woorden waarschuwing, let op en opmerking hebben een speciale betekenis en de bijbehorende tekst moet zorgvuldig worden gelezen:

Waarschuwing: Geeft maatregelen aan om mogelijk ernstig letsel bij de gebruiker en de patiënt te voorkomen.

Let op: Betreft risico's voor de apparatuur. Niet naleven van de voorzorgsmaatregelen kan tot beschadiging van het product leiden.

Opmerking: Bevat speciale informatie waarin instructies verduidelijkt worden en kan ook aanvullende nuttige informatie bevatten.

Waarschuwingen

Let op de volgende waarschuwingen om de kans op ernstig letsel bij de gebruiker en de patiënt te voorkomen:

1. Lees deze handleiding zorgvuldig door en maak u vertrouwd met de inhoud voordat u dit hulpmiddel in gebruik neemt.
2. Krachtens de federale wetgeving van de Verenigde Staten van Amerika mag dit hulpmiddel uitsluitend door of op voorschrift van een arts worden gekocht.
3. Pak het hulpmiddel voorzichtig uit en controleer of er tijdens het vervoer schade is ontstaan.
4. Dit hulpmiddel is niet steriel en mag daarom niet in het steriele veld worden geplaatst.
5. Zet het hulpmiddel of een ander zwaar voorwerp niet op het netsnoer. Beschadiging van het snoer kan tot brand of elektrische schokken leiden.
6. Verwijder de omlijsting niet om elektrische schokken te voorkomen.
7. Dit hulpmiddel mag niet worden gebruikt als dit naast, op of onder andere hulpmiddelen is geplaatst. Als plaatsing naast, op of onder andere hulpmiddelen noodzakelijk is, moet worden gecontroleerd of het hulpmiddel normaal werkt in de configuratie waarin het moet worden gebruikt.
8. Test de werking van dit hulpmiddel voordat u het in een chirurgische ingreep gebruikt. Dit hulpmiddel is vóór verzending volledig getest in de fabriek.
9. Repareer of verstel niets in het hulpmiddel tenzij dergelijke taken specifiek in deze handleiding zijn beschreven. Zorg dat alle bijstellingen, aanpassingen en/of reparaties door personen worden uitgevoerd die door Stryker Endoscopy geautoriseerd zijn.
10. Zorg dat er geen voorwerpen in het paneel terechtkomen. Als dit gebeurt, trekt u de stekker van het hulpmiddel uit het stopcontact en laat u het hulpmiddel controleren door gekwalificeerd personeel voordat u het verder gebruikt.
11. Neem de nodige voorzorgsmaatregelen om contact met vloeistoffen te voorkomen bij gebruik van het hulpmiddel met een voedingseenheid in patiëntomgevingen.
12. Het gebruik van andere kabels en/of accessoires dan gespecificeerd in combinatie met dit hulpmiddel, kan leiden tot een hogere emissie of lagere immuniteit van het hulpmiddel.

Voorzorgsmaatregelen

1. Sluit het hulpmiddel aan op een AC-adapter die is aangesloten op een netsnoer van ziekenhuiskwaliteit en zorg ervoor dat het netsnoer op een geaard stopcontact is aangesloten voor een betrouwbare aarding.
2. Het hulpmiddel mag niet worden gesteriliseerd; de gevoelige elektronica is hier niet tegen bestand.
3. Gebruik uitsluitend de fabrikantspecifieke voedingseenheid voor het chirurgische beeldscherm. Zorg ervoor dat de aansluiting tussen het gelijkstroomsnoer en het verlengsnoer goed vastzit.
4. Zet het hulpmiddel nooit onmiddellijk aan nadat het uit een koude naar een warme omgeving overgebracht is.
5. Om het hulpmiddel op een internationale voedingseenheid aan te sluiten, dient u een stekker te gebruiken die op het stopcontact past, zoals beschreven in het gedeelte 'Technische specificaties' in deze handleiding.
6. Haal de stekker uit het stopcontact als het hulpmiddel voor langere tijd buiten gebruik blijft. Maak eerst de stekker los en trek hier vervolgens aan om het snoer los te koppelen. Trek nooit aan het snoer zelf.
7. Stel het hulpmiddel niet bloot aan vocht en gebruik geen vloeibare reinigingsmiddelen direct op het scherm. Spuit het reinigingsmiddel op een zachte doek en reinig het beeldscherm voorzichtig. Raadpleeg het gedeelte 'Reiniging en onderhoud' in deze handleiding voor meer details.
8. Zorg voor voldoende luchtcirculatie om te voorkomen dat de apparatuur van binnen te warm wordt. Plaats het hulpmiddel niet op een ondergrond (zoals tapijten of dekens) of in de buurt van materiaal (zoals vitrage of gordijnen) waardoor de ventilatieopeningen kunnen worden geblokkeerd. Het hulpmiddel wordt door natuurlijke convectie gekoeld en heeft geen ventilator.
9. Raak de patiënt niet aan met connectoren voor signaalingang of signaaluitgang. Apparatuur met SIP/SOP-connectoren moet voldoen aan de IEC 60601-1 en/of de IEC 60601-1-1 geharmoniseerde nationale normen of de veiligheid van de combinatie moet worden geëvalueerd.
10. Om de elektromagnetische compatibiliteit (EMC) te verzekeren, raadpleegt u de informatie over elektromagnetische compatibiliteit in deze handleiding. Het VisionPro 26" LED-beeldscherm (0240-031-020) en het VisionPro SYNK 26" draadloos LED-beeldscherm (0240-031-000) moeten worden geplaatst en gebruikt in overeenstemming met de EMC-informatie in deze handleiding.
11. Neem de reinigingsinstructies in deze handleiding in acht. Door hiervan af te wijken kunt u letsel of beschadiging veroorzaken.
12. Plaats het hulpmiddel niet in de buurt van zonlicht, overmatig stof, mechanische trillingen of schokken.
13. Plaats het hulpmiddel niet zodanig dat het moeite kost om het netsnoer los te koppelen van het elektriciteitsnet.
14. Bedien het hulpmiddel niet met het glazen weergavescherm naar beneden gericht.

15. Behandel het hulpmiddel met zorg. Stoot of kras het scherm niet.
16. Wijzigingen of aanpassingen die niet uitdrukkelijk zijn goedgekeurd door de instantie die verantwoordelijk is voor naleving, kunnen de bevoegdheid van de gebruiker om het hulpmiddel te gebruiken teniet doen.
17. **Opmerking: Dit hulpmiddel is aan tests onderworpen, waarbij is vastgesteld dat dit voldoet aan de voor digitale hulpmiddelen van klasse B van kracht zijnde bepalingen, conform deel 15 van de FCC-richtlijnen. Deze bepalingen zijn opgesteld om een redelijke bescherming te verschaffen tegen schadelijke interferentie in een huishoudelijke installatie. Dit hulpmiddel genereert en gebruikt radiofrequente energie en kan dergelijke energie uitstralen. Dit hulpmiddel kan, als dit niet overeenkomstig de instructies wordt geplaatst en gebruikt, schadelijke interferentie met draadloze communicatieapparatuur veroorzaken. Er bestaat geen garantie dat interferentie niet optreedt in een bepaalde installatie. Dit kan vastgesteld worden door het hulpmiddel uit en opnieuw in te schakelen. Wij sporen de gebruiker aan om te proberen de interferentie met een of meer van de volgende maatregelen te verhelpen:**
 - Verplaats het ontvangstapparaat of richt het anders.
 - Zet de apparatuur verder uit elkaar.
 - Sluit het hulpmiddel aan op een ander circuit dan het circuit waarop de andere hulpmiddelen zijn aangesloten.
 - Neem contact op met de fabrikant of een onderhoudsmonteur voor advies.

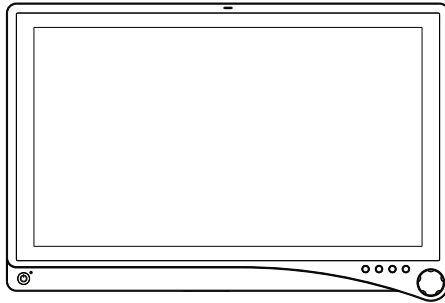
De garantie komt te vervallen als deze waarschuwingen worden genegeerd.

Dit product valt onder de voorschriften voor afgedankte elektrische en elektronische apparatuur. Het mag niet worden afgevoerd met het ongesorteerde gemeenteafval, maar moet gescheiden worden ingezameld.

Informatie over uw hulpmiddel

VisionPro 26" LED-beeldscherm

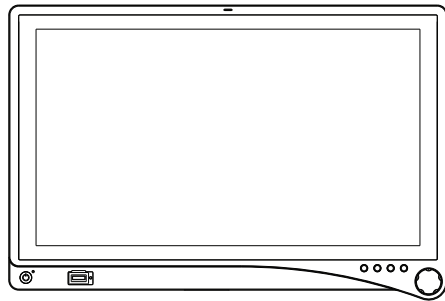
REF: 0240-031-020



Het VisionPro 26" LED-beeldscherm is een chirurgisch LED-beeldscherm (breedbeeld) dat geschikt is voor een maximale resolutie van WUXGA (1920x1200). Het beeldscherm ondersteunt de volgende video-ingangen: digitale RGB, analoge RGB, seriële digitale interface (SDI), component-video (YPbPr/RGBS), S-video en C-video/SOG. Het beeldscherm ondersteunt ook seriële communicatie via de RS232-poort.

VisionPro SYNK 26" draadloos LED-beeldscherm

REF: 0240-031-000



Het VisionPro SYNK 26" draadloos LED-beeldscherm kan worden gebruikt met de optionele SYNK zender (0240-031-010 of 0240-031-011), waarmee een high-definition videosignaal kan worden ontvangen met gebruik van een hoogfrequente koppeling.

Het beeldscherm ondersteunt de volgende video-ingangen: DVI, S-Video en C-Video/SOG. Zodra de draadloze functionaliteit is ingeschakeld, ondersteunt het beeldscherm de video-ingang digitale RGB. Het beeldscherm ondersteunt ook een USB-poort en seriële communicatie via de RS232-poort.

Opmerking: De draadloze functionaliteit van het VisionPro SYNK 26" draadloos LED-beeldscherm kan alleen worden ingeschakeld met behulp van de SYNK zender.

Raadpleeg de handleiding van het SYNK draadloze systeem (P21693) voor informatie en instructies over het gebruik van de SYNK draadloze zender en de draadloze functionaliteit van het VisionPro SYNK 26" draadloos LED-beeldscherm.

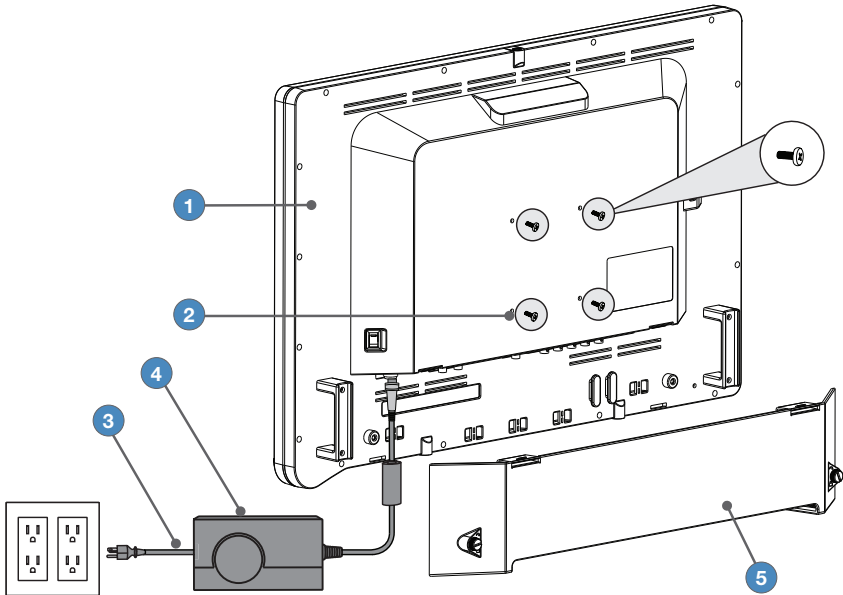
Beoogd gebruik en indicaties voor gebruik

Het VisionPro SYNK 26" draadloos LED-beeldscherm en het VisionPro 26" LED-beeldscherm zijn bedoeld voor weergave van videobeelden tijdens chirurgische ingrepen waaronder artroscopie (orthopedische chirurgie), laparoscopie (algemene en gynaecologische chirurgie), thoracoscopie, endoscopie, (algemene, gastro-enterologische en KNO-chirurgie) en algemene chirurgie. Het beeldscherm is een niet-steriel, herbruikbaar hulpmiddel en is niet bedoeld voor gebruik in het steriele veld. Het beeldscherm is bedoeld voor gebruik door bevoegde artsen die volledig op de hoogte zijn van deze chirurgische ingrepen.

Contra-indicaties

Er zijn geen contra-indicaties bekend voor dit hulpmiddel.

Inhoud van de verpakking



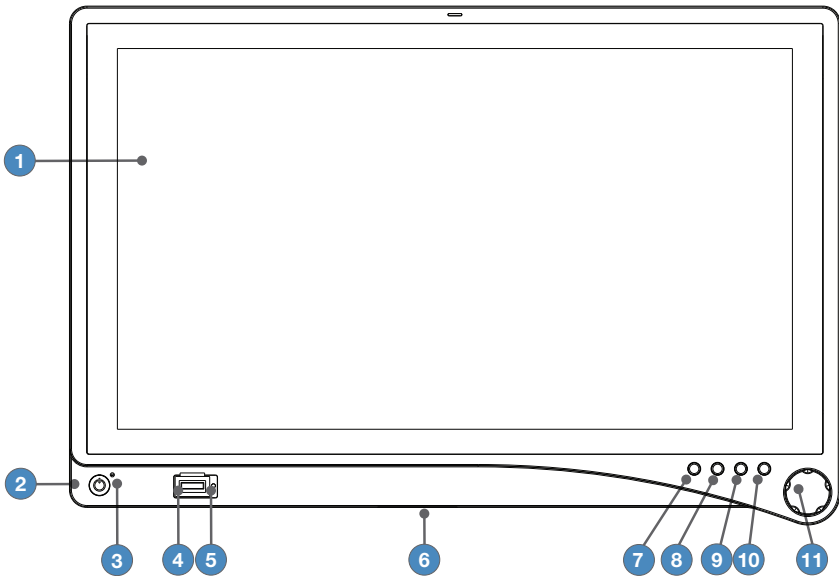
| Referentie | Onderdeelnummer | Inhoud van de verpakking |
|------------|------------------------------|--|
| 1 | 0240-031-020 0240-031-000 | VisionPro 26" LED-beeldscherm of VisionPro SYNK 26" draadloos LED-beeldscherm |
| 2 | – | (4) M4 × 16 mm VESA-schroeven |
| 3 | – | Netsnoer van ziekenhuis kwaliteit |
| 4 | 0240-031-004 | Medische voedingseenheid |
| 5 | – | Kabelafdekking |

| Onderdeelnummer | Optionele accessoires |
|-----------------|---|
| 0240-031-002 | Afdekking VisionPro 26" beeldscherm |
| 0240-031-004 | Medische voedingseenheid |
| 0240-031-010 | SYNK draadloze zender |
| 0240-030-951 | Gelijkstroomverlengkabel (5-pens) van 4,5 m |
| 0240-030-952 | Gelijkstroomverlengkabel (5-pens) van 23 m |

Funcies van het hulpmiddel

Voorpaneel

Bedien het beeldscherm met de draaiknop op het voorpaneel. Hieronder volgt een lijst met de bedieningselementen van het beeldscherm en een beschrijving van hun functie.



- | | |
|--|---|
| 1. Weergavescherm | Het scherm toont de videobeelden. |
| 2. Aan/uit-schakelaar (zacht) | Met deze schakelaar schakelt u het beeldscherm in en uit. |
| 3. Aan/uit-LED | Duidt de huidige status aan: Groen: het beeldscherm is ingeschakeld of staat in de schermbeveiligingsmodus Knippert rood: het beeldscherm is in slaapmodus Knippert geel: heeft over- of onderspanning |
| 4. Sleuf voor token (alleen het VisionPro SYNK 26" draadloos LED-beeldscherm) | De sleuf waarin het token wordt geplaatst voor een draadloze verbinding met de zender. |
| 5. Token-LED (alleen het VisionPro SYNK 26" draadloos LED-beeldscherm) | Groen: koppeling tot stand gebracht Geel: bezig met initialiseren Knippert geel: fout, neem contact op met vertegenwoordiger van de klantenservice |
| 6. Extra aansluiting | Ondersteunt aansluiting van aanvullende apparaten. |

7. Audio/PIP

VisionPro 26" LED-beeldscherm:

Met deze knop opent u het instelmenu Beeld-in-beeld.

VisionPro SYNK 26" draadloos LED-beeldscherm:

Druk tweemaal op deze knop om het instelmenu Beeld-in-beeld te openen.

Opmerking: Audiofunctionaliteit is op dit moment niet ingeschakeld.

8. Helderheid

Met deze knop opent u het instelmenu Helderheid.

9. Specialisme

Met deze knop opent u het instelmenu Specialisme.

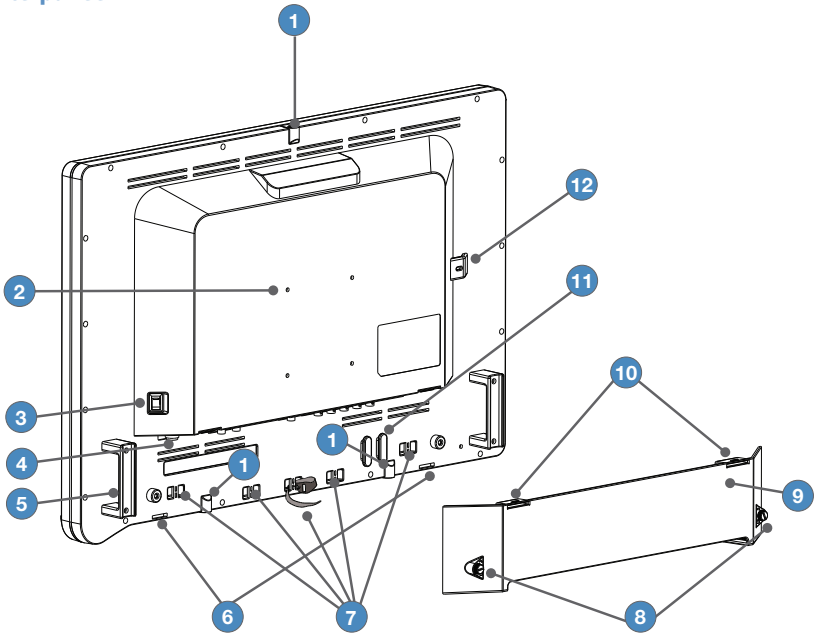
10. Ingang

Met deze knop opent u het selectiemenu Ingang.

11. Draaiknop

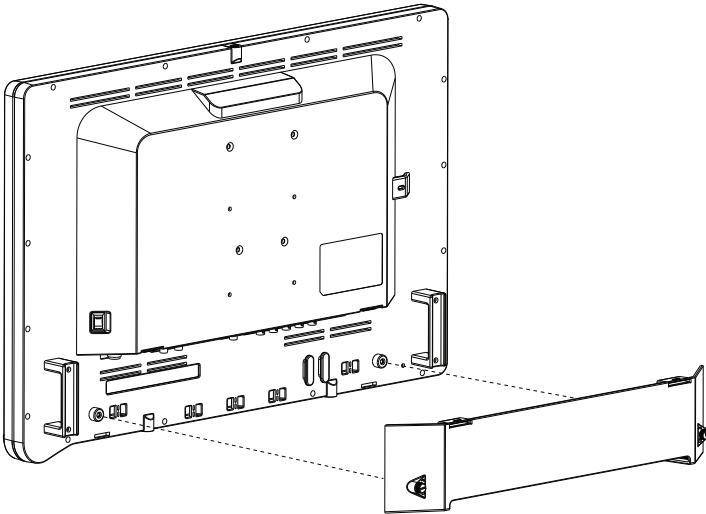
Met deze knop opent u het instelscherm en navigeert u door de functies.

Achterpaneel



- 1. Accessoirebeugels (3)** Met deze beugels kunt u optionele accessoires bevestigen.
- 2. VESA-montagegaten** Met deze gaten kunt u het beeldscherm bevestigen.
- 3. Aan/uit-schakelaar (hard)** Met deze schakelaar schakelt u de gelijkstroomvoeding in en uit.
- 4. Voedingsconnector** Met deze connector is verbinding met de voedingseenheid van 24 V gelijkstroom mogelijk.
- 5. Handvatten** Met de handvatten kan het scherm beter gepositioneerd worden.
Let op: De handvatten zijn niet bedoeld om het volledige gewicht van het beeldscherm te dragen.
- 6. Scharnieren voor kabelafdekking** Hiermee wordt de onderzijde van de kabelafdekking aan het beeldscherm bevestigd.
- 7. Klittenband** Deze banden helpen bij het ophangen van kabels.
- 8. Kartelschroeven voor kabelafdekking** De kabelafdekking dient aan het beeldscherm te worden bevestigd. De kartelschroeven kunnen met de vingers worden aangedraaid of losgedraaid.
- 9. Kabelafdekking** Hiermee worden kabels bedekt.
- 10. Clips voor kabelafdekking** Hiermee wordt de bovenzijde van de kabelafdekking aan het beeldscherm bevestigd.
- 11. Kabelbevestigingsbeugel** Hier kunnen kabels omheen worden gewikkeld.
- 12. Vergrendelingsfunctie** Hier kan uit veiligheidsoogpunt een vergrendelingsmechanisme of -kabel worden geleid.

Kabelafdekking



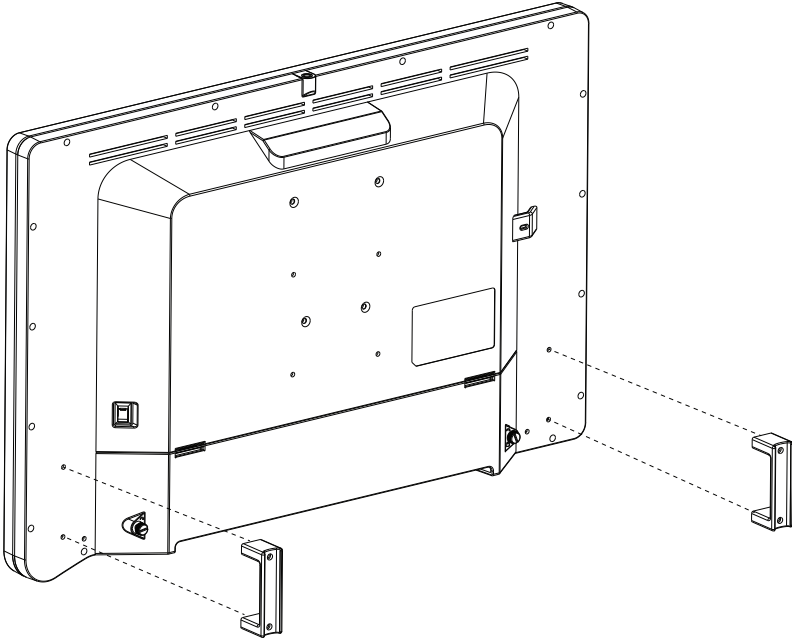
De kabelafdekking plaatsen

1. Lijn het linker- en rechterscharnier van de kabelafdekking uit op de onderzijde achter op het beeldscherm.
2. Klik het bovenste gedeelte van de kabelafdekking vast op de uitlijnclips.
3. Draai de kartelschroeven met uw vingers rechtsom om de kabelafdekking op het beeldscherm vast te zetten en te vergrendelen.

De kabelafdekking verwijderen

1. Draai de kartelschroeven met uw vingers linksom om deze los te maken.
2. Wanneer de kartelschroeven volledig zijn losgedraaid, knijpt u in de linker- en rechterclip en trekt u de kabelafdekking naar u toe.
3. Verwijder de kabelafdekking van het linker- en rechterscharnier.

Handvatten van het beeldscherm



Let op: De handvatten zijn bedoeld om te helpen bij het plaatsen van het beeldscherm, niet om het beeldscherm te vervoeren. De handvatten mogen niet het volledige gewicht van het beeldscherm dragen.

De handvatten van het beeldscherm verwijderen

1. Draai de twee schroeven van M4 x 30 mm los met een inbussleutel van 3 mm en trek de handvatten voorzichtig van het beeldscherm af.

De handvatten van het beeldscherm monteren

1. Lijn het handvat uit met de schroefgaten op de achterzijde van het beeldscherm.
2. Plaats de twee schroeven van M4 x 30 mm met een inbussleutel van 3 mm om het handvat te bevestigen.

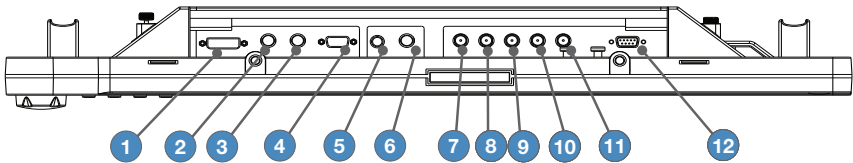
Opstelling

Stryker Endoscopy beschouwt gebruiksinstructie, of inservice, als een integraal onderdeel van dit hulpmiddel. Uw plaatselijke verkoopvertegenwoordiger van Stryker Endoscopy verzorgt op een geschikt tijdstip ten minste één inservice om u te helpen bij het opstellen van uw hulpmiddel en u en uw personeel te leren dit hulpmiddel te bedienen en te onderhouden. Als u een afspraak wilt maken voor een inservice, kunt u na ontvangst van uw hulpmiddel contact opnemen met uw plaatselijke vertegenwoordiger van Stryker Endoscopy.

Aansluitingen

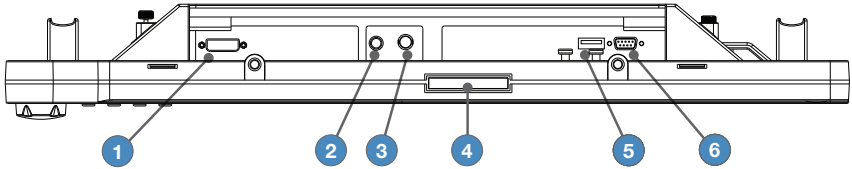
Aansluitpoorten VisionPro 26" LED-beeldscherm

Video-ingangsignalen en -uitgangsignalen worden aangesloten op de achterzijde van het beeldscherm, zoals hieronder afgebeeld:



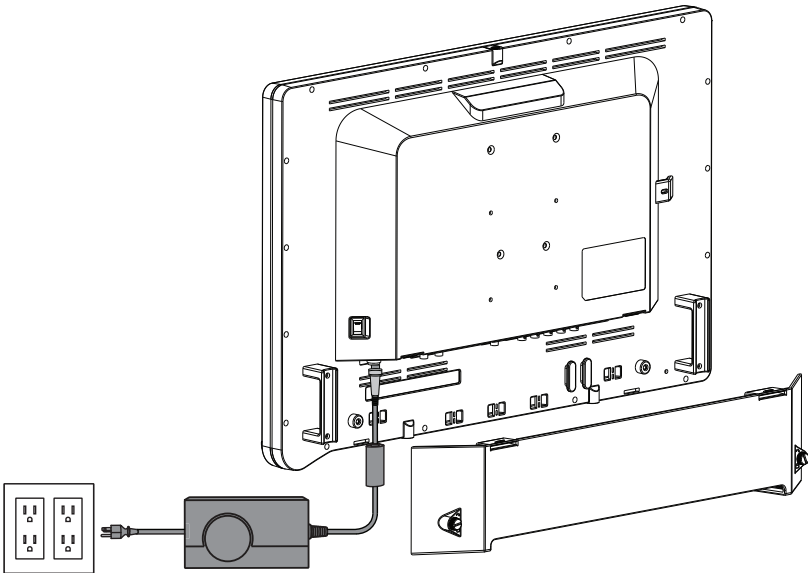
- | | |
|------------------------|------------|
| 1. DVI | 7. R/Pr |
| 2. 3G/HD/SD SDI-in | 8. G/Y |
| 3. 3G/HD/SD SDI-uit | 9. B/Pb |
| 4. VGA | 10. H-sync |
| 5. S-video | 11. V-sync |
| 6. C-video/SOG | 12. RS232 |

Aansluitpoorten VisionPro SYNK 26" draadloos LED-beeldscherm



- | | |
|----------------|----------------------|
| 1. DVI | 4. Extra aansluiting |
| 2. S-video | 5. USB |
| 3. C-video/SOG | 6. RS232 |

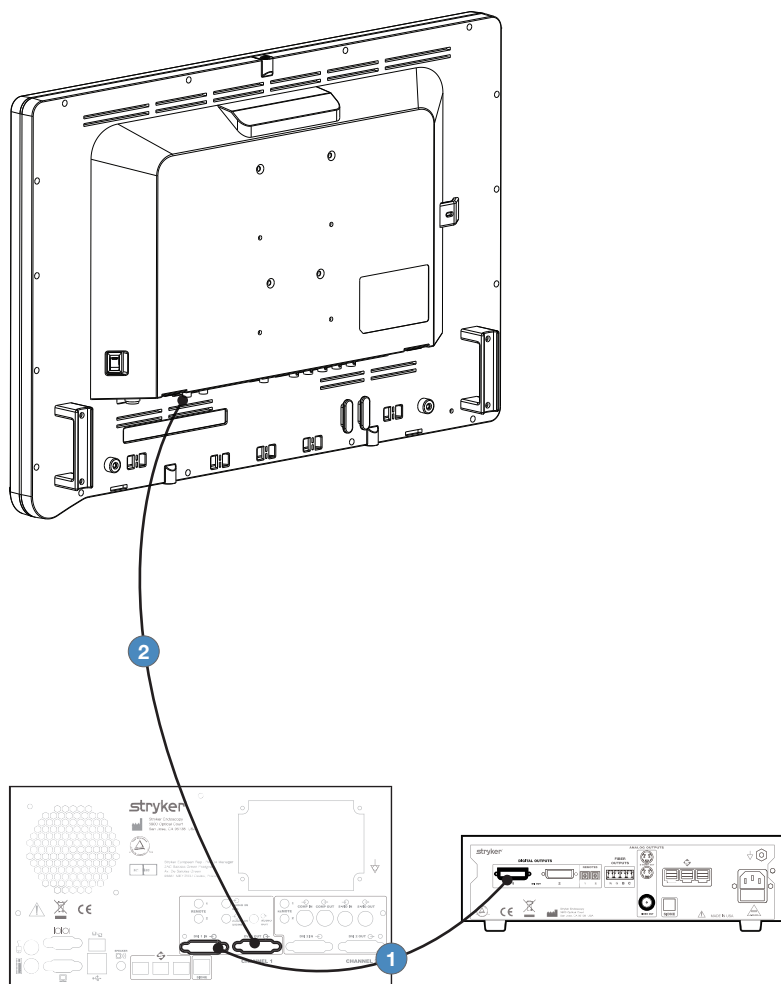
De voedingseenheid aansluiten



1. Sluit de voedingseenheid aan op de 24V-ingang op het beeldscherm.
2. Sluit het netsnoer aan op de voedingseenheid.*
3. Sluit het apparaat aan op wisselstroom met behulp van het meegeleverde netsnoer van ziekenhuisqualiteit.
4. (Optioneel, niet afgebeeld) Plaats een verlengsnoer tussen de voedingseenheid en het beeldscherm.
5. Plaats de kabelafdekking.

* Informatie over voeding: Modelnummer: BPM150S24F11, fabrikant: Bridgepower Corp.

Basisopstelling voor video



1. Leid video-uitgang 1 van de camera naar de SDC DVI-ingang.
2. Leid video-uitgang 1 van de SDC DVI-uitgang naar de DVI-ingang op het beeldscherm.

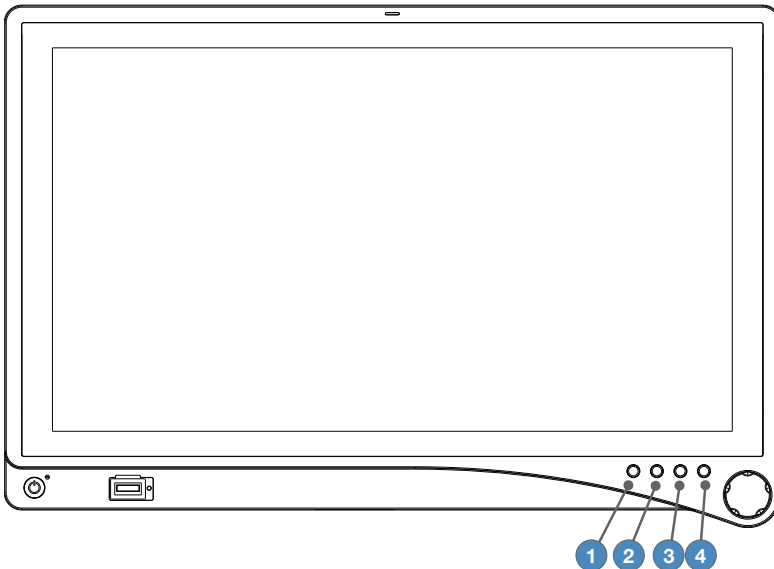
Opmerking: Stryker raad aan een reserveverbinding met de camera tot stand te brengen.

Bediening

Bedien het beeldscherm met de draaiknop en de vier knoppen op het voorpaneel. Hieronder volgt een lijst met de bedieningselementen van het beeldscherm en een beschrijving van hun functie.

Instelscherm (OSD)

Toegang tot het instelscherm



De vier knoppen op het voorpaneel gebruiken:

1. **Audio/PIP (VisionPro SYNK 26" draadloos LED-beeldscherm):**
 - Druk tweemaal op deze knop om de beeldmodus te activeren (Beeld-in-beeld, Beeld-voor-beeld, Beeld-op-beeld)
2. **PIP (VisionPro 26" LED-beeldscherm):**
 - Druk op deze knop om de beeldmodus te activeren (Beeld-in-beeld, Beeld-voor-beeld, Beeld-op-beeld)
3. **Helderheid:** Hiermee wordt het instelmenu Helderheid geopend.
4. **Specialisme:** Hiermee wordt het instelmenu Specialisme geopend.
5. **Ingang:** Hiermee wordt het selectiemenu Ingang geopend.

Gebruik de draaiknop om door de menu's te navigeren nadat deze zijn geactiveerd:

- **Indrukken** — Opent/selecteert het instelschermmenu.
- **Naar rechts/links draaien** — Verhoogt/verlaagt de waarde van de geselecteerde parameter als het instelschermmenu is geactiveerd.
- **Ingedrukt houden** — Sluit het instelschermmenu af.

Werking van instelscherm

Met behulp van het instelscherm van het hulpmiddel kunt u door diverse menu's navigeren.

1. Druk op de **draaiknop** om het instelschermmenu te activeren.
2. Draai aan de **draaiknop** om omhoog of omlaag door een menu te bewegen.
Een geselecteerde parameter wordt gemarkeerd weergegeven.
3. Druk op de **draaiknop** om naar het volgende menuniveau te gaan.
4. Draai aan de **draaiknop** om de waarde van de geselecteerde parameter te verhogen of te verlagen of om een keuzemogelijkheid te selecteren.
5. Selecteer de optie Exit (Afsluiten) om een ondergeschikt menuniveau af te sluiten. Om het instelscherm volledig af te sluiten, drukt u op de **draaiknop** en houdt u deze ingedrukt. Het instelscherm wordt automatisch afgesloten als er geen toetsen worden ingedrukt na de in de fabriek ingestelde tijd (deze tijd kan worden aangepast).

Instelschermmenu's

Specialty (Specialisme)

| Menu-item | Beschrijving | Bereik |
|--|---|--------------------------|
| Color Temperature (Kleurtemperatuur)* | Kleurtemperatuur instellen voor Lap A (Laparoscoop A), Lap B (Laparoscoop B), Arthro A (Artrroscoop A), Arthro B (Artrroscoop B), Standard (Standaard), PACS (PACS), NORM (NORM), ENT (KNO), GYN (GYN). | — |
| Red (Rood) | Roodbalans | -128 – 127 |
| Green (Groen) | Groenbalans | -128 – 127 |
| Blue (Blauw) | Blauwbalans | -128 – 127 |
| Gamma | Gammawaarde | 0,1 – 2,5, S0, S1, S2 |

* Kleurtemperatuur RGB kan alleen worden bijgesteld voor instellingen voor Standard (Standaard), Arth (Artrroscoop) en Lap (Laparoscoop). Bijstellingen van PACS (PACS) en Norm (Norm) zijn uitsluitend beschikbaar bij SOG-input.

Audio (menu op dit moment niet actief)

Brightness Settings (Helderheidsinstellingen)

| Menu-item | Beschrijving | Bereik |
|--|---------------------------------------|---------|
| Brightness (Helderheid) | Helderheid verhogen of verlagen | 0 – 100 |
| Contrast | Contrast verhogen of verlagen | 0 – 100 |
| Phase (Fase)** | Faseniveau verhogen of verlagen | 0 – 100 |
| Chroma** | Chromaniveau verhogen of verlagen | 0 – 100 |
| Image Sharpness (Beeldscherpte) | Beeldscherpte instellen | 1 – 10 |
| Video Sharpness (Videoscherpte)** | Videoscherpte vergroten of verkleinen | 0 – 100 |

** Uitsluitend beschikbaar bij SDI-, S- of C-video-input.

Image Effect (Beeldeffect)

| Menu-item | Beschrijving |
|--|---|
| Scale Mode (Schalingsmodus) | Schalingsmodus kiezen: Fill All (Alles vullen), V-Fill (Verticaal vullen), H-Fill (Horizontaal vullen), One-To-One (Ware grootte) of Fill-Aspect (Vullen tot aspectratio) |
| Freeze Frame (Stilstaand beeld) | Stilstaand beeld in- of uitschakelen |
| PIP | Picture In Picture (Beeld-in-beeld) inschakelen |
| POP | Picture On Picture (Beeld-op-beeld) inschakelen |
| PBP | Picture By Picture (Beeld-voor-beeld) inschakelen |

Advanced Settings (Geavanceerde instellingen)

| Menu-item | Beschrijving | |
|---|--|--|
| Key Lock (Toetsvergrendeling) | Toetsvergrendeling aan: alle toetsfuncties zijn uitgeschakeld. Houd de draaiknop ingedrukt om de toetsvergrendeling uit te schakelen. | |
| Auto Source Select (Automatische bronselectie) | Er worden ingangen gescand totdat een actieve videobron wordt gedetecteerd. Automatische bronselectie is uitgeschakeld in PIP/POP/PBP-modus. | |
| Sleep Timer (Timer slaapmodus) | On (Aan): als er geen videobron wordt gedetecteerd, wordt het beeldscherm in de slaapmodus gezet. | |
| | Off (Uit): het beeldscherm wordt niet in de slaapmodus gezet. | |
| | Timer: stel de tijd in waarna het beeldscherm in de slaapmodus wordt gezet als er geen videobron wordt gedetecteerd. | |
| OSD Control (Knop instelscherm) | Position (Positie), Background (Achtergrond) en Timeout (Time-out) van instelscherm bepalen | |
| Restore Factory Settings (Fabrieksinstellingen herstellen) | Terugzetten naar fabrieksinstellingen | |
| Screen Control (Schermregeling) | VGA | <ul style="list-style-type: none"> • Horizontaal • Verticaal • Fase • Frequentie |
| | S-video, C-video, SOG, RGBs, component-video | <ul style="list-style-type: none"> • Horizontaal • Verticaal |

SYNK (voor het VisionPro SYNK 26" draadloos LED-beeldscherm)

| Status | Beschrijving |
|--|--------------|
| RX APP (APP ontvanger): XX.XX.XX RX MAC (MAC ontvanger): XX.XX.XX.XX | Ontvanger |
| TX APP (APP zender): XX.XX.XX TX MAC (MAC zender): XX.XX.XX.XX | Zender |
| WiFi SW (SW WiFi): XXX-X.XX SIGNAAL= Uitstekend, Goed, Slecht Standaardregio: XXX FREQ (Frequentie): XXXX MHz | Zender |

Information (Informatie)

| Menu-item | Beschrijving |
|--|--|
| User Name Entry (Invoer gebruikersnaam) | Hier kunt u een gebruikersnaam invoeren voor opstartscherm |
| Serial Number (Serinummer) | Geeft serienummer van hulpmiddel weer |
| Runtime (Uitvoeringstijd) | Geeft totale uitvoeringstijd van hulpmiddel weer |
| Input Format (Invoerindeling) | Geeft huidige invoerindeling weer |

Opmerking: De werkelijke instelschermwaarden kunnen variëren afhankelijk van de firmwareversie en de gebruikersinstellingen.

Problemen oplossen

Raadpleeg onderstaande lijst met problemen en oplossingen voordat u het beeldscherm voor reparatie retourneert:

| Probleem | Huidige status | Oplossing | |
|-----------------------------|--|---|--|
| Geen beeld | Aan/uit-LED brandt | Stel de helderheid en het contrast met het instelscherm in op de maximale waarde of zet deze terug naar de standaardinstelling. | |
| | Aan/uit-LED brandt niet | Controleer of de aan/uit-schakelaars op het voor- en achterpaneel van het beeldscherm zijn ingeschakeld. | |
| | | Controleer of het netsnoer goed op de netadapter en het stopcontact is aangesloten. | |
| | | Controleer of de voedingseenheid volledig is aangesloten en juist functioneert. | |
| Aan/uit-LED knippert | Rood | Het beeldscherm is in slaapmodus. Druk op een willekeurige toets om het beeldscherm te activeren. | |
| | Geel | De voedingseenheid kan over- of onderspanning hebben. | |
| Afwijkend beeld | Te groot of te klein beeld, beeld ontbreekt of beeld niet gecentreerd. | Gebruik het schermbesturingsmenu om de instellingen voor Fase, Frequentie, Horizontaal en Verticaal aan te passen om het weergegeven beeld te corrigeren. | |
| | | Pas de instellingen in de schalingsmodus aan | |
| | | Alleen voor VGA-ingang: houd de draaiknop 1-2 seconden ingedrukt om de videofeed opnieuw te synchroniseren. | |
| | | Wacht een paar seconden na de eerste synchronisatie van de videosignalen of schakel het beeldscherm uit en weer in. | |
| Foutbericht op instelscherm | 'Out of Range' (Buiten bereik) | Controleer of een aanvaardbare videobron is aangesloten. | |
| Token-LED knippert geel | Fout | Neem contact op met een vertegenwoordiger van de klantenservice. | |

Reiniging en onderhoud



Waarschuwing

Om elektrische schokken en mogelijk fataal letsel te voorkomen, haalt u vóór de reiniging het beeldscherm en de voedingseenheid uit het stopcontact.

Let op

- Spuit de reinigingsvloeistof niet rechtstreeks op het beeldscherm of de voedingseenheid, aangezien dit kan leiden tot beschadiging van het product. Spuit de vloeistof op de doek en neem hiermee de eenheid af.
- Dompel het beeldscherm of de voedingseenheid niet in vloeistof onder, omdat ze hierdoor beschadigd worden.
- Gebruik geen corroderende reinigungsoplossingen om het beeldscherm of de voedingseenheid te reinigen, aangezien dit kan leiden tot beschadiging van het product.
- Steriliseer het beeldscherm of de voedingseenheid niet, omdat ze hierdoor beschadigd kunnen worden.

Reiniging

Het beeldscherm of de voedingseenheid reinigen:

1. Als de beeldschermafdekking is geplaatst, verwijdert u deze voorafgaand aan reiniging.
2. **VisionPro SYNK 26" draadloos LED-beeldscherm:** Zorg ervoor dat u vóór het reinigen de afdekking op de sleuf voor het token plaatst.
3. Breng standaarddesinfecteermiddel of milde reinigungsoplossing aan op een droge, steriele doek.
4. Veeg het beeldscherm of de voedingseenheid af.
5. Wees met name voorzichtig bij reiniging van het scherm. Teveel aan vloeistof of druppels die aan de onderzijde het scherm of in de voedingsaansluiting binnendringen, kunnen leiden tot beschadiging van het product.

Inspectie

Controleer dit product altijd voor gebruik. Raadpleeg het gedeelte Problemen oplossen van dit document als een van de volgende punten zich voordoet. Als het product nog steeds niet goed werkt, moet u stoppen met het gebruik en contact opnemen met uw Stryker-vertegenwoordiger.

- Geen beeld, abnormaal beeld of onacceptabele beeldkwaliteit
- Het product kan niet worden ingeschakeld
- Niet goed of niet werkende knoppen
- Significante fysieke schade aan het beeldscherm of accessoires, zoals onacceptabele beeldhelderheid, beschadigde coatings, corrosie, abnormale geluiden, gescheurde kabels, blootliggende bedrading of schade waardoor een goede bevestiging niet mogelijk is.
- Aan/uit-led knippert oranje

Verwachte gebruiksduur

De bruikbare levensduur van het apparaat en de bijbehorende accessoires wordt grotendeels bepaald door slijtage, reinigingsmethoden en eventuele uit het gebruik voortvloeiende beschadiging. Volg altijd de onderhouds- en bedieningsinstructies in de gebruikershandleiding van dit apparaat en die van de accessoires om de tijd tussen onderhoudsmomenten te verlengen.

Afvoer



Overeenkomstig de Europese richtlijn 2012/19/EU met betrekking tot de afvoer van elektrische en elektronische apparatuur (AEEA), zoals gewijzigd, geeft dit symbool aan dat het product en de bijbehorende accessoires gescheiden moet worden ingezameld voor recycling. Het mag niet worden afgevoerd met het ongesorteerde gemeentefval. Neem contact op met de plaatselijke distributeur voor informatie over afvoeren. Controleer voorafgaand aan recycling of de geïnfecteerde apparatuur is gereinigd volgens het hoofdstuk Reiniging van deze gebruiksaanwijzing en die van de accessoires van het apparaat.

Voer accessoires van het systeem af volgens de normale praktijken van de instelling ten aanzien van mogelijk besmette artikelen.

Bijwerkingen melden

Ernstige incidenten die zich hebben voorgedaan in verband met dit apparaat, moeten worden gemeld aan Stryker en, in de Europese Unie, aan de bevoegde autoriteit in de lidstaat waar de getroffen persoon is gevestigd.

Technische specificaties

Schermb

| | |
|--|--|
| LCD-scherm | 26" (661 mm) diagonaal (a-Si TFT-LCD met actieve matrix) |
| Synchronisatie | 2,5 – 5,0 Vpp gescheiden sync |
| Pixelpitch | 0,300 (H) x 0,300 (V) mm |
| Responstijd | < 18 ms type |
| Kijkhoek | Rechts/links/omhoog/omlaag 89 graden |
| Schermkleuren | 1 miljard kleuren (10 bit) |
| Ingebouwde resolutie | 1920 (H) punten x 1080 (V) lijnen |
| Signalen VisionPro 26" LED-beeldscherm | DVI, VGA, 3G/HD/SD-SDI (in/uit), C-Video/SOG, S-Video, component/RGBs (Y/G, Pb/B, Pr/R, HS, VS), RS232 |
| Signalen VisionPro SYNK 26" draadloos LED-beeldscherm | Draadloze digitale RGB, DVI, S-Video, C-Video/SOG, RS232 en USB |
| Maximale pixelklok | 165 MHz |

Elektrisch

| | |
|---|---|
| Netadapter | Ingang: 100 – 240 VAC; 50 – 60 Hz; 2,5 A (2,5A - 1,5A) Uitgang: 24 VDC; 6,25 A (maximaal 150 W) Modelnummer: BPM150S24F11 |
| Energieverbruik (bij benadering) | 35 – 65 watt |

Stroom-/spanningsbereik

Zorg ervoor dat het desbetreffende netsnoer voldoet aan de geldende plaatselijke regelgeving en normen.

| | |
|-------------------------------------|---|
| Stopcontacten 110 V +/- 10 V | Selecteer een netsnoer dat door UL is goedgekeurd en door CSA is gecertificeerd, van type SJT of SVT en 3-aderig, 18AWG is en wordt afgesloten door een aangegoten stekker van ziekenhuis kwaliteit voor 110 V +/- 10 V, 15 A, met een minimale lengte van 1,8 m. |
| Stopcontacten 220 V +/- 20 V | Selecteer een netsnoer dat internationaal is geharmoniseerd en voorzien van de markering '<HAR>', 3-aderig is, een minimale draaddoorsnede heeft van 0,75 mm ² , met een vermogen van 220 V +/- 20 V, 10 A met een isolatiemantel van PVC. Het snoer moet zijn voorzien van een aangegoten stekker voor 220 V +/- 20 V, 10 A. Het snoer en de stekker moeten geschikt zijn voor medisch gebruik. |

Afmetingen

| | |
|------------------------------------|-----------------------|
| Afmetingen (B × H × D) | 660,4 × 442 × 86,4 mm |
| Gewicht (bij benadering) | 8,3 kg |
| VESA-montage | VESA 100 × 100 mm |

Bedrijfsomstandigheden

| | |
|-------------------------------------|------------|
| Temperatuurbereik | 10 – 40 °C |
| Bereik relatieve vochtigheid | 25% – 75% |

Transport- en opslagomstandigheden

| | |
|-------------------------------------|-------------|
| Temperatuurbereik | -18 – 60 °C |
| Bereik relatieve vochtigheid | 15% – 90% |

Classificatie en goedkeuringen

Apparatuur klasse I

Medische apparatuur met betrekking tot elektrische schokken, brand en mechanisch gevaar uitsluitend conform UL 60601-1 en CAN/CSA C22.2 nr. 601.1.

IP23: Bescherming tegen toegang tot gevaarlijke onderdelen door vingers en dergelijke, bescherming tegen spuitend water (onder een hoek van minder dan 60° vanuit verticaal oogpunt)

Continubedrijf

Naleving

FCC-voorschriften

VisionPro 26" LED-beeldscherm:

FCC deel 15 klasse B

FCC-nummer: QVXAMM261WTDS

VisionPro SYNK 26" draadloos LED-beeldscherm:

FCC deel 15 klasse B

FCC-nummer: QVXAMM261WTDSW

FCC deel 15 klasse C

FCC-nummer: SSH-SYNKRX (Ontvangerkaart)

FCC-nummer: SSH-SDMAN (Accessoirekaart)

IC-voorschriften

VisionPro SYNK 26" draadloos LED-beeldscherm:

IC: 4919C-SYNKRX (Ontvangerkaart)

IC: 4919C-SDMAN (Accessoirekaart)

Opmerking: Neem contact op met de plaatselijke verkoopvertegenwoordiger van Stryker Endoscopy voor informatie over wijzigingen en nieuwe producten.

Elektromagnetische compatibiliteit

Zoals ook voor andere medische elektrische apparatuur het geval is, dienen voor het VisionPro 26" LED-beeldscherm en het VisionPro SYNK 26" draadloos LED-beeldscherm speciale voorzorgsmaatregelen getroffen te worden om elektromagnetische compatibiliteit met andere medische apparatuur te garanderen. Om de elektromagnetische compatibiliteit (EMC) veilig te stellen, moet het beeldscherm worden geplaatst en gebruikt in overeenstemming met de EMC-informatie in deze handleiding. Het beeldscherm is ontwikkeld en getest conform de voorschriften van IEC 60601-1-2 betreffende elektromagnetische compatibiliteit met andere apparaten.

Opmerking: Deze apparatuur is bestemd voor gebruik in een professionele omgeving voor gezondheidszorg. De apparatuur is niet bestemd voor gebruik in de voor radiofrequentie (RF) afgeschermd ruimte van een medische elektrisch systeem voor magnetic resonance imaging (MRI) waar de intensiteit van elektromagnetische (EM) storingen hoog is.

Opmerking: In een speciale omgeving is het niet waarschijnlijk dat deze apparatuur gevoelig is voor de interferentie van HF chirurgische instrumenten in de directe nabijheid van een actief chirurgisch instrument. Wanneer interferentie van HF op de operatieve ingreep wordt geconstateerd, dient de tussenafstand van de apparatuur te worden bijgesteld.



Waarschuwing

Als dit apparaat op andere elektromedische apparatuur is aangesloten, kan de lekstroom additief zijn. Om de totale lekstroom naar de patiënt tot een minimum te beperken, moeten alle systemen zijn geïnstalleerd in overeenstemming met de vereisten van IEC 60601-1-1.

Let op

Draagbare en mobiele RF-communicatieapparatuur kan de normale werking van het beeldscherm beïnvloeden. Gebruik alleen kabels of accessoires die met het beeldscherm zijn meegeleverd om het risico van verhoogde elektromagnetische emissie of verminderde immuniteit tegen deze emissie te voorkomen. Als het beeldscherm wordt gebruikt terwijl dit naast, op of onder andere apparatuur is geplaatst, moet u vóór gebruik bij een chirurgische ingreep controleren of het beeldscherm normaal werkt in de opstelling waarin dit zal worden gebruikt. Raadpleeg de onderstaande tabellen als richtlijn bij het plaatsen van het beeldscherm.


| Richtlijnen en verklaring van de fabrikant: elektromagnetische emissies | | |
|--|----------|--|
| Het VisionPro 26" LED-beeldscherm en het VisionPro SYNK 26" draadloos LED-beeldscherm zijn bestemd voor gebruik in de hieronder gespecificeerde elektromagnetische omgeving. De koper of de gebruiker van het beeldscherm dient ervoor te zorgen dat het apparaat in een dergelijke omgeving wordt gebruikt. | | |
| Emissietest | Naleving | Richtlijnen voor elektromagnetische omgeving |
| RF-emissies CISPR 11 | Groep 1 | De beeldschermen gebruiken uitsluitend radiofrequente energie voor de interne functies van de apparaten; de hierbij opgewekte radiofrequente straling is uiterst zwak en deze veroorzaakt waarschijnlijk geen storing in naburige elektronische apparatuur. |
| RF-emissies CISPR 11 | Klasse B | De beeldschermen zijn geschikt voor gebruik in alle gebouwen, behalve gebouwen bestemd voor bewoning en gebouwen die rechtstreeks aangesloten zijn op het openbare lichtnet dat voor bewoning gebruikte gebouwen van elektrische energie voorziet, mits de volgende waarschuwing in acht wordt genomen: Waarschuwing: Dit systeem is uitsluitend bestemd voor gebruik door bevoegde medische deskundigen. Dit systeem kan interferentie veroorzaken of de werking van naburige apparatuur beïnvloeden. Het is soms nodig om maatregelen te nemen, zoals het anders richten of verplaatsen van het systeem of het afschermen van de locatie. |
| Harmonische emissies IEC 61000-3-2 | Klasse D | |
| Spanningsfluctuaties/flikkeringen IEC 61000-3-3 | Voldoet | |

| Richtlijnen en verklaring van de fabrikant — elektromagnetische immuniteit | | | |
|--|---|--|---|
| Het VisionPro 26"-ledbeeldscherm en het VisionPro SYNK 26" draadloos ledbeeldscherm zijn bestemd voor gebruik in de hieronder gespecificeerde elektromagnetische omgeving. De koper of de gebruiker van het beeldscherm dient ervoor te zorgen dat het apparaat in een dergelijke omgeving wordt gebruikt. | | | |
| Immuniteitstest | IEC 60601-testniveau | Nalevingsniveau | Elektromagnetische omgeving - richtlijnen |
| Elektrostatische ontlading (ESD) IEC 61000-4-2 | ± 8 kV contact ± 15 kV lucht | ± 8 kV contact ± 15 kV lucht | De vloerbedekking moet bestaan uit hout, beton of keramische tegels. Bij een synthetische vloerbedekking moet de relatieve luchtvochtigheid ten minste 30% bedragen. |
| Snelle stroomstoot/ elektrische burst IEC 61000-4-4 | ± 2 kV voor netvoedingslijnen ± 1 kV voor ingangs-/ uitgangslijnen (indien van toepassing) | ± 2 kV leiding naar aarde ± 1 kV leiding naar leiding (indien van toepassing) | De netvoeding moet van een kwaliteit zijn die geschikt is voor een standaard commerciële of ziekenhuisomgeving. |
| Stroomstoot IEC 61000-4-5 | ± 1 kV differentiële modus ± 2 kV algemene modus | ± 1 kV differentiële modus ± 2 kV algemene modus | De netvoeding moet van een kwaliteit zijn die geschikt is voor een standaard commerciële of ziekenhuisomgeving. |
| Spanningsval, korte onderbrekingen en spanningsfluctuaties in de stroomtoevoerlijnen IEC 61000-4-11 | 0% U_T 0,5 cyclus 0% U_T 1 cyclus 70% U_T 25 cycli 0% U_T 5 sec. | 0% U_T 0,5 cyclus 0% U_T 1 cyclus 70% U_T 25 cycli 0% U_T 5 sec. | De netvoeding moet van een kwaliteit zijn die geschikt is voor een standaard commerciële of ziekenhuisomgeving. Als het gebruik van de zender niet door stroomstoringen mag worden onderbroken, verdient het aanbeveling om de draadloze zender te voeden vanuit een noodstroomvoorziening (UPS) of batterijen. |
| Door netfrequentie (50/60 Hz) opgewekt magnetisch veld IEC 61000-4-8 | 30 A/m | 30 A/m | Het niveau van door netfrequentie opgewekte magnetische velden moet kenmerkend zijn voor een normale locatie in een normale commerciële omgeving of ziekenhuisomgeving. |
| Opmerking: U_T is de netspanning vóór toepassing van het testniveau. | | | |

Richtlijnen en verklaring van de fabrikant: Elektromagnetische immuiniteit

Het VisionPro 26"-ledbeeldscherm en het VisionPro SYNK 26" draadloos ledbeeldscherm zijn bestemd voor gebruik in de hieronder gespecificeerde elektromagnetische omgeving.

De koper of de gebruiker van het beeldscherm dient ervoor te zorgen dat het apparaat in een dergelijke omgeving wordt gebruikt.

| Immuneitstest | IEC 60601-testniveau | Nalevingsniveau | Elektromagnetische omgeving - richtlijnen |
|-----------------------------------|------------------------------|-----------------|--|
| Geleide RF IEC 61000-4-6 | 3 Vrms 150 kHz tot 80 MHz | 3 V | Draagbare en mobiele apparatuur voor radiofrequente communicatie mag niet dichterbij enig onderdeel van de beeldschermen, inclusief de bijbehorende kabels, worden gebruikt dan de geadviseerde tussenruimte die afgeleid is van de vergelijking die van toepassing is op de frequentie van het zendapparaat. Aanbevolen scheidingsafstand: $d = 2\sqrt{P}$ 80 MHz tot 2,7 GHz waarbij P het maximale nominale uitgangsvermogen van de zender in watt (W) is volgens de fabrikant van de zender en d de aanbevolen tussenafstand in meter (m) is. De door vaste RF-zenders uitgestraalde veldsterkte, zoals vastgesteld door elektromagnetische meting van de locatie (a), moet lager zijn dan het nalevingsniveau in elk frequentiebereik (b). Storingen kunnen optreden in de omgeving van apparatuur die van onderstaand symbool is voorzien:  |
| Uitgestraalde RF IEC 61000-4-3 | 10 V/m 80 MHz tot 2,7 GHz | 10 V/m | |

(a) De veldsterkte van vaste zenders, zoals basisstations voor (mobiele/draadloze) radiotelefoons en landmobiele radio's, amateurradio's, AM- en FM-radio-uitzendingen en tv-uitzendingen, kan theoretisch niet nauwkeurig worden voorspeld. Voor het vaststellen van de elektromagnetische omgeving als gevolg van vaste RF-zenders dient een elektromagnetisch locatieonderzoek te worden overwogen. Als de gemeten veldsterkte op de gebruikslocatie van het VisionPro 26" LED-beeldscherm en het VisionPro SYNK 26" draadloos LED-beeldscherm het bovenvermelde van toepassing zijnde RF-nalevingsniveau overschrijdt, moeten het beeldscherm en de zender worden doorgemeten om te controleren of deze normaal werken. Als het beeldscherm niet normaal werkt, zijn er wellicht aanvullende maatregelen vereist. Zo kunt u het beeldscherm verplaatsen of anders richten.

(b) Binnen het frequentiebereik van 150 kHz tot 80 MHz moet de veldsterkte minder zijn dan 3 V/m.

| Geteste specificaties voor immuniteit voor draadloze RF-communicatieapparatuur | | | | | | |
|---|-------------|--|---|-----------------------|-------------|------------------------------|
| Testfrequentie (MHz) | Band (MHz) | Service | Modulatie | Maximaal vermogen (W) | Afstand (m) | Niveau immuniteitstest (V/m) |
| 385 | 380 – 390 | TETRA 400 | Puls modulatie 18 Hz | 1,8 | 0,3 | 27 |
| 450 | 430 – 470 | GMRS 460, FRS 460 | FM ± 5 kHz afwijking 1 kHz sinus | 2 | 0,3 | 28 |
| 710 | 704 – 787 | LTE-band 13, 17 | Puls modulatie 217 Hz | 0,2 | 0,3 | 9 |
| 745 | | | | | | |
| 780 | | | | | | |
| 810 | 800 – 960 | GSM 800/900, TETRA 800, iDEN 820, CDMA 850, LTE-band 5 | Puls modulatie 18 Hz | 2 | 0,3 | 28 |
| 870 | | | | | | |
| 930 | | | | | | |
| 1720 | 1700 – 1990 | GSM 1800; CDMA 1900; GSM 1900; DECT; LTE-band 1, 3, 4, 25; UMTS | Puls modulatie 217 Hz | 2 | 0,3 | 28 |
| 1845 | | | | | | |
| 1970 | | | | | | |
| 2450 | 2400 – 2570 | Bluetooth, WLAN, 802.11 b/g/n, RFID 2450, LTE-band 7 | Puls modulatie 217 Hz | 2 | 0,3 | 28 |
| 5240 | 5100 – 5800 | WLAN 802.11 a/n | Puls modulatie 217 Hz | 0,2 | 0,3 | 9 |
| 5500 | | | | | | |
| 5785 | | | | | | |
| Opmerking: Er mag geen draagbare RF-communicatieapparatuur worden gebruikt binnen een afstand van minder dan 30 cm van het VisionPro 26" LED-beeldscherm en het VisionPro SYNK 26" draadloze LED-beeldscherm. Anders zou de werking van deze apparatuur kunnen worden aangetast. | | | | | | |
| Hierbij verklaart Stryker dat het VisionPro SYNK 26" draadloos LED-beeldscherm voldoet aan de essentiële vereisten en andere relevante bepalingen van Richtlijn 1999/5/EG. Een kopie van de conformiteitsverklaring is verkrijgbaar bij Stryker Endoscopy, 5900 Optical Court, San Jose, CA, 95138, VS. | | | | | | |

Symbolen en definities

Onderstaande symbolen staan op het product, het etiket of de verpakking. Elk symbool heeft een specifieke betekenis, zoals hieronder gedefinieerd:



Raadpleeg de
gebruiksaanwijzing



Let op: Zie de
gebruiksaanwijzing



Serienummer



Hoeveelheid



Temperatuurbereik



Vochtigheidsbereik



Gemachtigde
vertegenwoordiger in Europa



Land van oorsprong



Catalogusnummer



Gelijkstroom



Fabricagedatum



Wettelijke fabrikant



Voldoet aan de normen voor
klasse B en C van de FCC



Draadloze transmissie



Krachtens de federale
wetgeving van de Verenigde
Staten van Amerika mag dit
hulpmiddel uitsluitend door
of op voorschrift van een arts
worden gekocht



Het apparaat voldoet aan de
vereisten van de Europese
Unie aangaande medische
apparaten



Recyclecode hulpmiddel (van
toepassing in China)



CCC-markering

IP23

Behuizing biedt bescherming tegen:

- Toegang tot gevaarlijke onderdelen door vingers en dergelijke
- Spuitend water (onder een hoek van minder dan 60° vanuit verticaal oogpunt)



Voldoet aan de Australische regelgevende vereisten



Medische apparatuur voldoet aan AAMI ES60601-1 en CSA C22.2
nr. 60601-1-08-CAN/CSA met betrekking tot elektrische schokken, brandgevaar
en mechanisch gevaar



Dit product valt onder de voorschriften voor afgedankte elektrische en
elektronische apparatuur. Het mag niet worden afgevoerd met het ongesorteerde
gemeentefval, maar moet gescheiden worden ingezameld.



Medisch apparaat in de Europese Unie

Indholdsfortegnelse

| | |
|--|---------------|
| Advarsler og forholdsregler | DA-223 |
| Om anordningen | DA-226 |
| Tilsluttet anvendelse og vejledning til brug | DA-227 |
| Kontraindikationer | DA-227 |
| Pakkens indhold | DA-228 |
| Anordningens karakteristika..... | DA-229 |
| Opsætning | DA-234 |
| Tilslutninger | DA-234 |
| Grundlæggende videoopsætning..... | DA-236 |
| Betjening..... | DA-237 |
| Skærmvisning (On-Screen Display, OSD) | DA-237 |
| OSD-menuer | DA-239 |
| Fejlfinding..... | DA-242 |
| Rengøring og vedligeholdelse..... | DA-243 |
| Tekniske specifikationer..... | DA-245 |
| Elektromagnetisk kompatibilitet | DA-247 |
| Symboler og definitioner..... | DA-251 |

Advarsler og forholdsregler

Læs denne vejledning, og følg anvisningerne omhyggeligt. Ordene advarsel, forsigtig og bemærk har særlig betydning, og den tilhørende tekst bør læses omhyggeligt:

Advarsel: Angiver foranstaltninger for at undgå potentiel alvorlig skade på brugeren og patienten.

Forsigtig: Angiver risiko for udstyret. Hvis disse forholdsregler ikke følges, kan det føre til produktbeskadigelse.

Bemærk: Indeholder særlige oplysninger, som præciserer anvisninger eller angiver yderligere nyttige oplysninger.

Advarsler

For at undgå potentiel alvorlig skade på brugeren og patienten skal følgende advarsler bemærkes:

1. Læs denne brugervejledning grundigt, og vær fortrolig med dens indhold, før denne anordning anvendes.
2. I henhold til amerikansk lovgivning (USA) må denne anordning kun sælges af en læge eller på dennes ordinerings.
3. Udvis forsigtighed ved udpakning af anordningen, og se den efter for eventuelle transportskader.
4. Denne anordning er usteril og må derfor ikke placeres i det sterile felt.
5. Anbring ikke anordningen eller nogen anden tung genstand på netledningen. Beskadigelse af kablet kan forårsage brand eller elektrisk stød.
6. For at undgå elektrisk stød må rammen ikke fjernes.
7. Denne anordning må ikke anvendes i nærheden af eller placeres oven på andre anordninger. Hvis det er nødvendigt at anvende anordningen ved siden af eller oven på andet udstyr, skal det kontrolleres, at udstyret fungerer normalt i den konfiguration, hvori det anvendes.
8. Afprøv anordningen før kirurgisk indgreb. Denne anordning blev testet fuldt ud på fabrikken før forsendelse.
9. Forsøg aldrig at foretage interne reparationer eller justeringer, som ikke specifikt er anført i detaljer i denne vejledning. Sørg for, at efterreguleringer, ændringer og/eller reparationer udføres af personer, som er autoriseret af Stryker Endoscopy.
10. Genstande må ikke anbringes i panelet. Hvis dette sker, skal anordningen kobles fra netledningen og efterses af kvalificeret personale, inden den betjenes yderligere.
11. Tag relevante forholdsregler for at undgå kontakt med væske, hvis anordningen anvendes med strømforsyning i nærheden af patienten.
12. Brug af kabler og/eller andet tilbehør med denne anordning ud over, hvad der er specificeret, kan medføre forøgede emissioner eller nedsat immunitet for denne anordning.

Forholdsregler

1. Slut anordningen til en vekselstrømsadapter, der er koblet til en netledning af hospitalskvalitet, og sørg for, at netledningen er sat i en jordforbundet strømforsyning for at opnå pålidelig jordforbindelse.
2. Anordningen må ikke steriliseres, da de skrøbelige elektroniske elementer ikke kan tåle denne procedure.
3. Brug kun det kirurgiske displays navnebeskyttede strømforsyning til displayet. Forbindelsen mellem jævnstrømsledningen og forlængerledningen skal sikres fuldstændigt.
4. Betjen aldrig anordningen lige efter, at den er blevet transporteret fra et koldt sted til et varmt sted.
5. For at koble til en international strømforsyning skal der anvendes et tilslutningsstik, der passer til strømudtaget, som beskrevet i afsnittet "Tekniske specifikationer" i denne vejledning.
6. Frakobl anordningen, hvis den ikke skal bruges i en længere periode. Ledningen frakobles ved først at skrue stikket af og derefter trække ledningen ud ved stikket. Træk aldrig i selve ledningen.
7. Udsæt ikke anordningen for fugt, og undgå at anvende flydende rensmidler direkte på skærmen. Sprøjt rensopløsning på en blød klud og rengør forsigtigt. Der findes flere oplysninger i afsnittet "Rengøring og vedligeholdelse" i denne vejledning.
8. Sørg for tilstrækkelig luftcirkulation for at forhindre intern varmeopbygning. Placér ikke anordningen på overflader (gulvtæpper, tæpper osv.) eller i nærheden af materialer (gardiner o. lign.), som kan blokere ventilationshullerne. Anordningen afkøles ved naturlig konvektion og har ingen blæser.
9. Rør ikke ved patienten med signalindgangs- eller udgangskonnektorer (SIP/SOP). Udstyr med SIP/SOP-konnektorer bør enten overholde IEC 60601-1 og/eller IEC 60601-1-1 harmoniserede nationale standarder, eller kombinationen bør evalueres mhp. sikkerhed.
10. Der henvises til afsnittet "Elektromagnetisk kompatibilitet" i denne vejledning angående sikring af elektromagnetisk kompatibilitet. VisionPro 26" LED-display (0240-031-020) og VisionPro SYNK 26" trådløst LED-display (0240-031-000) skal installeres og betjenes i overensstemmelse med de EMC-informationer, der gives i denne vejledning.
11. Vær opmærksom på rengøringsanvisningerne i denne vejledning. Afvigelse fra disse kan medføre beskadigelse.
12. Installer ikke anordningen i nærheden af sollys, i meget støvede omgivelser eller på steder med mekaniske vibrationer eller stød.
13. Anordningen må ikke placeres, så det er vanskeligt at frakoble netledningen fra hovedstrømforsyningen.
14. Må ikke betjenes med anordningens glasskærm vendende nedad.
15. Hånder anordningen med forsigtighed. Skærmen må ikke udsættes for slag eller ridser.
16. Ændringer eller modifikationer, som ikke udtrykkeligt er godkendt af den part, som er ansvarlig for overholdelse af sikkerhedsforordninger, kan gøre brugerens ret til at betjene anordningen ugyldig.

17. **Bemærk:** Denne anordning er blevet testet og vurderet til at være i overensstemmelse med begrænsningen for en digital klasse B-anordning i henhold til FCC-reglernes afsnit 15. Disse begrænsninger er udarbejdet med henblik på at yde en rimelig beskyttelse mod skadelig interferens, når udstyret anvendes i et boligområde. Denne anordning genererer, anvender og kan udsende radiofrekvensenergi, og hvis den ikke installeres i overensstemmelse med instruktionerne, kan den forårsage skadelig interferens under radiokommunikation. Det kan ikke garanteres, at der ikke vil forekomme interferens i en bestemt installation, hvilket kan fastslås ved at slukke og tænde for anordningen. Brugeren opfordres til at prøve at udbedre forstyrrelsen på en eller flere af følgende måder:
- Drej eller flyt den modtagende enhed.
 - Øg separationsafstanden imellem anordningerne.
 - Slut anordningen til en stikkontakt på et andet kredsløb end det, de(n) øvrige anordning(er) er tilsluttet.
 - Kontakt producenten eller den lokale servicetekniker for at få hjælp.

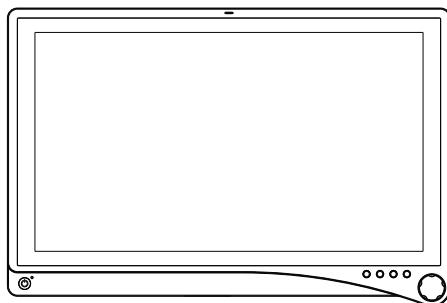
Garantien bortfalder, hvis disse advarsler eller forholdsregler tilsidesættes.

Dette produkt indeholder elektrisk eller elektronisk udstyr, som efterfølgende skal bortskaffes. Produktet må ikke bortskaffes som almindeligt affald og skal afhændes særskilt.

Om anordningen

VisionPro 26" LED-display

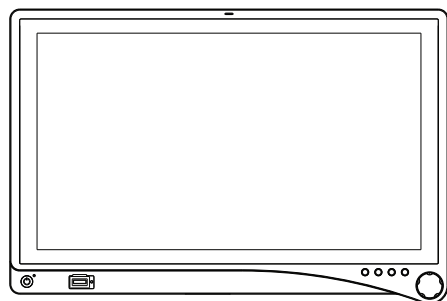
REF: 0240-031-020



VisionPro 26" LED-displayet er et kirurgisk LCD-display i bredskærmsformat, som understøtter en maksimal opløsning på WUXGA (1920x1200). Displayet understøtter følgende video-inputs: digital RGB, analog RGB, digital seriel grænseflade (SDI), komponentvideo (YPbPr/RGB), S-video og C-video/SOG. Den understøtter også seriel kommunikation via RS232-porten.

VisionPro SYNK 26" trådløst LED-display

REF: 0240-031-000



VisionPro SYNK 26" trådløst LED-display kan bruges sammen med den valgfri SYNK-transmitter (0240-031-010 eller 0240-031-011), der gør det muligt at modtage et HD-videosignal via et radio-frekvenslink.

Displayet understøtter følgende videosystemer: DVI, S-Video og C-Video/SOG. Når først den trådløse funktion er etableret, understøtter displayet en trådløs RGB-video-indgang. Displayet understøtter også en USB-port og seriel kommunikation via RS232-porten.

Bemærk: Den trådløse funktion i VisionPro SYNK 26" trådløst LED-display kan kun etableres via SYNK-transmitteren.

For nærmere oplysninger og vejledning i brug af SYNK trådløs transmitter og den trådløse funktion i VisionPro SYNK 26" trådløst LED-display henvises til vejledningen til SYNK trådløst system (P21693).

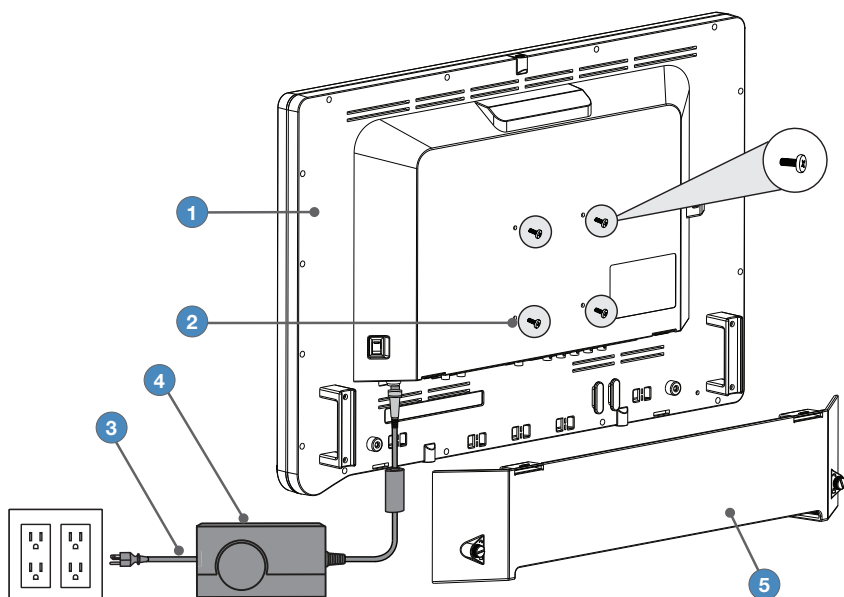
Tilsigtet anvendelse og vejledning til brug

VisionPro SYNK 26" trådløst LED-display og VisionPro 26" LED-display er beregnet til videovisning under kirurgiske indgreb, herunder artroskopi (ortopædkirurgi), laparoskopi (generel og gynækologisk kirurgi), torakoskopi, endoskopi (generel, gastroenterologisk, og ENT-kirurgi) samt generel kirurgi. Displayet er en steril, genanvendelig anordning, som ikke er beregnet til brug i det sterile felt. Displayet er beregnet til brug af kvalificerede læger med fuldstændigt kendskab til disse kirurgiske procedurer.

Kontraindikationer

Der er ingen kendte kontraindikationer for denne anordning.

Pakkens indhold



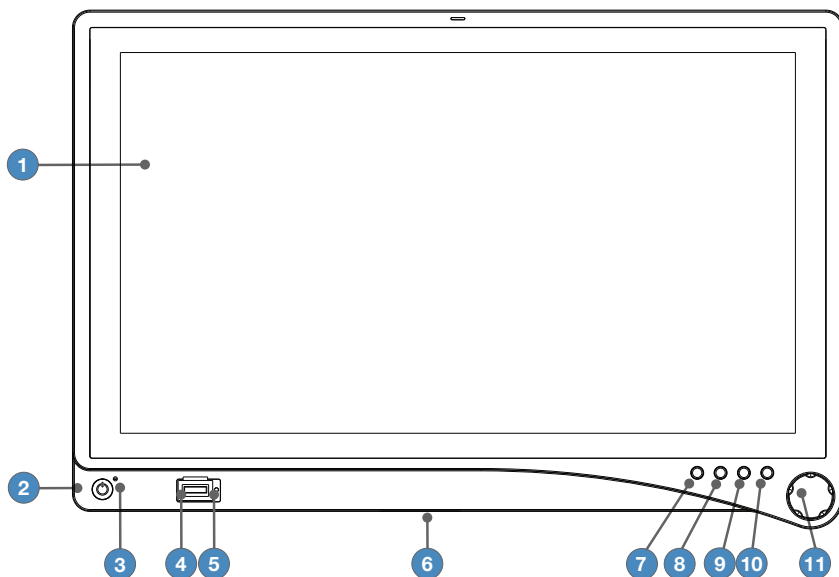
| Reference | Varenummer | Pakkens indhold |
|-----------|------------------------------|--|
| 1 | 0240-031-020 0240-031-000 | VisionPro 26" LED-display eller VisionPro SYNK 26" trådløst LED-display |
| 2 | - | (4) M4 x 16 mm VESA-skruer |
| 3 | - | Vekselstrømsledning af hospitalskvalitet |
| 4 | 0240-031-004 | Medicinsk strømforsyning |
| 5 | - | Kabelbeskytter |

| Varenummer | Valgfrit tilbehør |
|--------------|---|
| 0240-031-002 | VisionPro 26" displaybeskytter |
| 0240-031-004 | Medicinsk strømforsyning |
| 0240-031-010 | SYNK trådløs sender |
| 0240-030-951 | 4,5 m (5-bens) jævnstrømsforlængerledning |
| 0240-030-952 | 23 m (5-bens) jævnstrømsforlængerledning |

Anordningens karakteristika

Frontpanel

Displayet betjenes ved hjælp af drejeknappen på frontpanelet. Herunder vises en liste over displayets kontrolknapper og deres funktioner.



- | | |
|---|--|
| 1. Displayskærm | Viser videobillede. |
| 2. Tænd/sluk-kontakt (soft touch) | Tænder og slukker for displayet. |
| 3. Strømindikator | Viser strømstatus: Grøn - Displayet er tændt eller i strømsparestatus Blinker rødt - Displayet er på standby Blinker gult - over- eller underspænding |
| 4. Møntindkast (kun VisionPro SYNK 26" trådløst LED-display) | Møntindkaststed, der anvendes til at etablere trådløs forbindelse med transmitteren. |
| 5. Mønt-LED (kun VisionPro SYNK 26" trådløst LED-display) | Grøn - Link etableres Gul - Initierer Blinkende gul - Fejl, kontakt servicerepræsentant |
| 6. Ekstra forbindelse | Understøtter forbindelse for ekstraudstyr. |

7. Audio/PIP

VisionPro 26" LED-display:

Giver adgang til PIP-justeringsmenuen (billede-i-billede).

VisionPro SYNK 26" trådløst LED-display:

Tryk to gange for PIP-justeringsmenuen (billede-i-billede).

Bemærk: Audio-funktionen er ikke aktiveret endnu.

8. Lysstyrke

Giver adgang til Lysstyrke-justeringsmenuen

9. Specialitet

Giver adgang til Speciale-justeringsmenuen

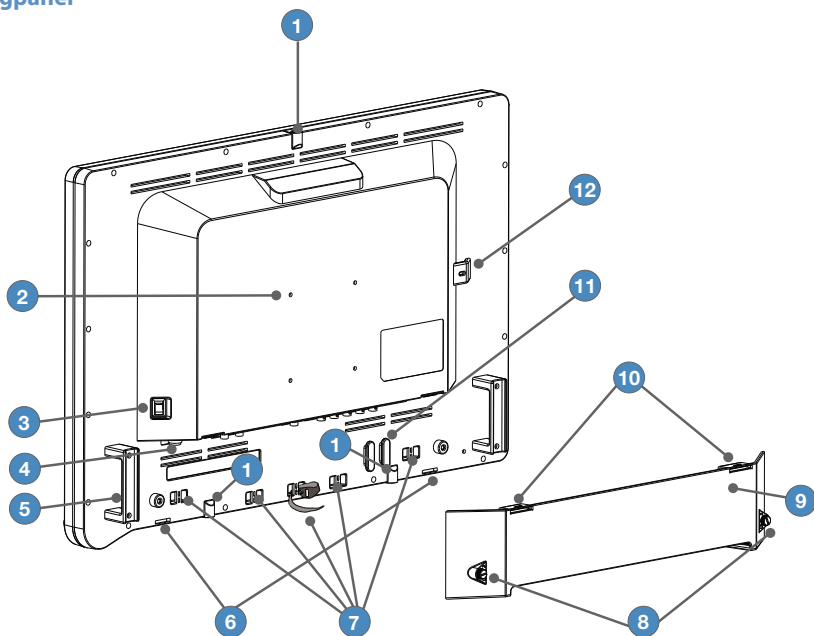
10. Input

Går til menuen Valg af indtastning

11. Drejeknap

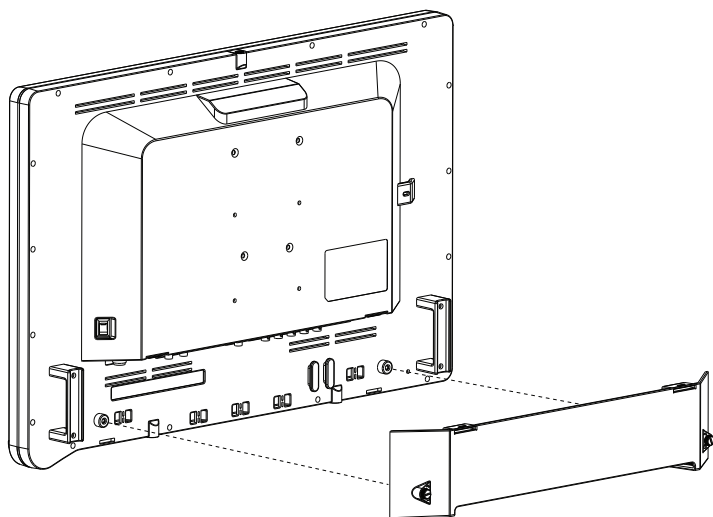
Giver adgang til skærmmvisning og navigerer gennem dens funktioner.

Bagpanel



- 1. Tilbehørsmonteringer (3)** Tilvejebringer et adgangspunkt til montering af ekstra tilbehør.
- 2. VESA-monteringshuller** Tilvejebringer adgangspunkter til montering af displayet.
- 3. Tænd/sluk-kontakt (knap)** Tænder og slukker for jævnstrømsindgangen.
- 4. Strømskik** Kobler til 24 V jævnstrømsforsyningen.
- 5. Håndtag** Hjælper ved placering af displayet.
Forsigtig: Håndtagene er ikke beregnet til at bære hele displayets vægt.
- 6. Kabelbeskytterens hængsler** Fastgør bunden af kabelbeskytteren til displayet.
- 7. Velcro-remme** Remme som hjælper ved håndtering af kabler.
- 8. Kabelbeskytterens fingerskruer** Fastgør kabelbeskytteren til displayet, og strammes eller løsnes ved brug af fingrene.
- 9. Kabelbeskytter** Beskytter og skjuler kabler.
- 10. Kabelbeskytterens clips** Fastgør toppen af kabelbeskytteren til displayet.
- 11. Kabelomvikler** Et sted, som kablerne kan vikles om.
- 12. Lås** En låsemekanisme eller et kabel kan føres denne vej med henblik på sikkerhed.

Kabelbeskytter



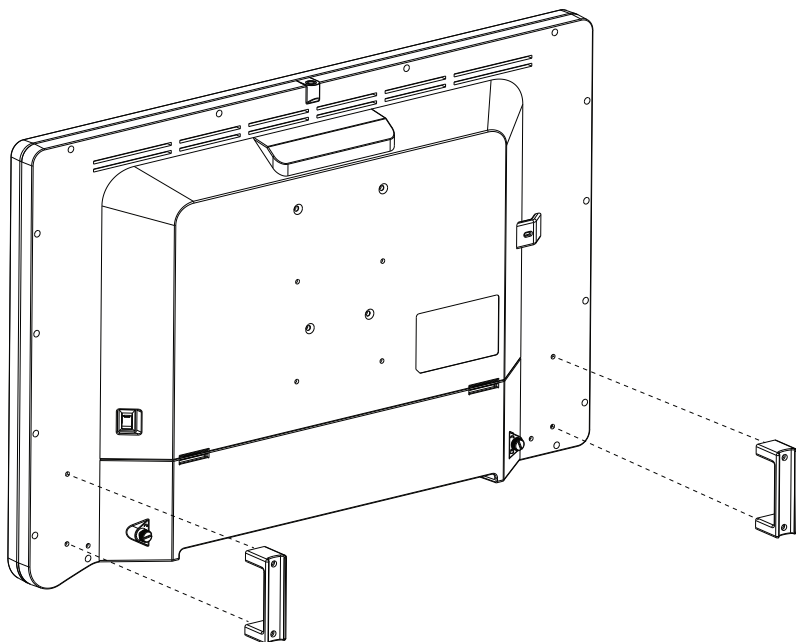
Installering af kabelbeskytteren

1. Ret kabelbeskytterens venstre og højre hængsler ind efter displayets nederste bagkant.
2. Klem den øverste del af kabelbeskytteren på justeringsclipsene.
3. Brug fingrene til at dreje fingerskruerne med uret for at stramme og låse kabelbeskytteren fast på displayet.

Aftagning af kabelbeskytteren

1. Brug fingrene til at dreje fingerskruerne mod uret for at løsne dem.
2. Når fingerskruerne er helt løsnet, klemmes sammen om venstre og højre clips og kabelbeskytteren trækkes mod brugeren.
3. Tag kabelbeskytteren af venstre og højre hængsel.

Displayets håndtag



Forsigtig: Håndtagene er beregnet som en hjælp ved placering af displayet, ikke til transport af displayet. Håndtagene må ikke bære hele displayets vægt.

Fjernelse af display-håndtagene

1. Brug en 3 mm-unbrakonøgle til at løsne de to M4 x 30 mm-skruer, og træk forsigtigt håndtaget væk fra displayet.

Installation af display-håndtagene

1. Ret håndtagene ind efter skruehullerne bag på displayet.
2. Brug en 3 mm-unbrakonøgle til at sætte de to M4 x 30 mm-skruer i og fastgøre håndtaget.

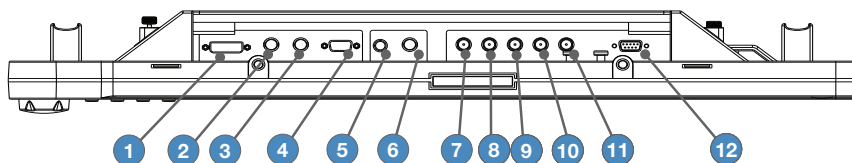
Opsætning

Stryker Endoscopy betragter vejledende undervisning, eller servicebesøg, som en integreret del af denne anordning. Den lokale Stryker Endoscopy salgsrepræsentant vil efter aftale med brugeren foretage mindst ét servicebesøg for at hjælpe med at opsætte anordningen og instruere brugeren og personalet i dens betjening og vedligeholdelse. For at arrangere et servicebesøg kontaktes den lokale Stryker Endoscopy repræsentant, når anordningen er leveret.

Tilslutninger

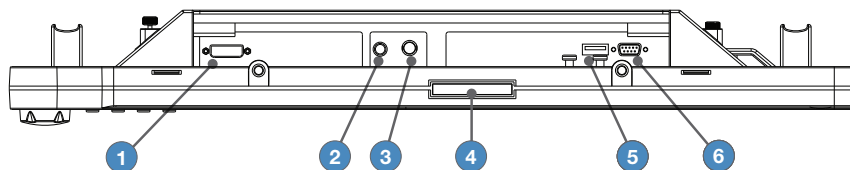
Tilslutningsporte for VisionPro 26" LED-display

Videoinput- og outputsignaler kobles til displayets bagside som vist nedenfor:



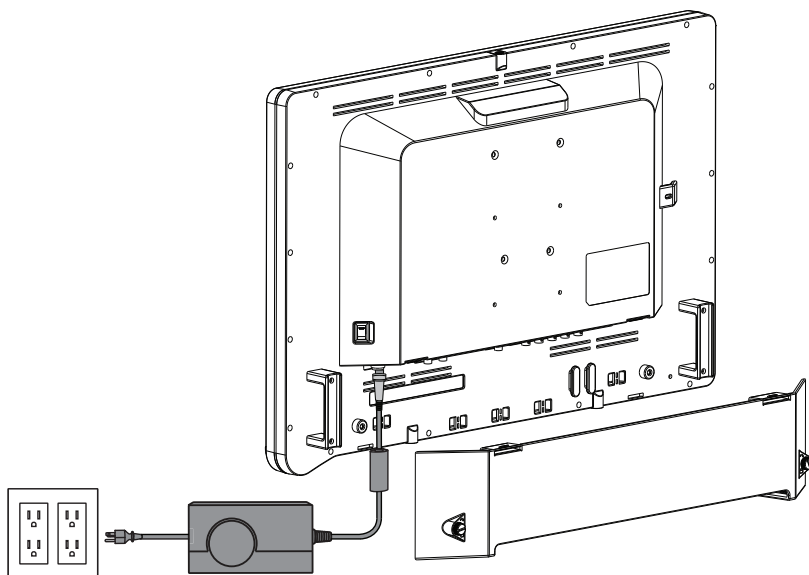
- | | |
|------------------------|------------|
| 1. DVI | 7. R/Pr |
| 2. 3G/HD/SD SDI-ind | 8. G/Y |
| 3. 3G/HD/SD SDI-ud | 9. B/Pb |
| 4. VGA | 10. H-synk |
| 5. S-video | 11. V-synk |
| 6. C-video/SOG | 12. RS232 |

Tilslutningsporte for VisionPro SYNK 26" trådløst LED-display



- | | |
|----------------|--------------------|
| 1. DVI | 4. Ekstra konektor |
| 2. S-video | 5. USB |
| 3. C-video/SOG | 6. RS232 |

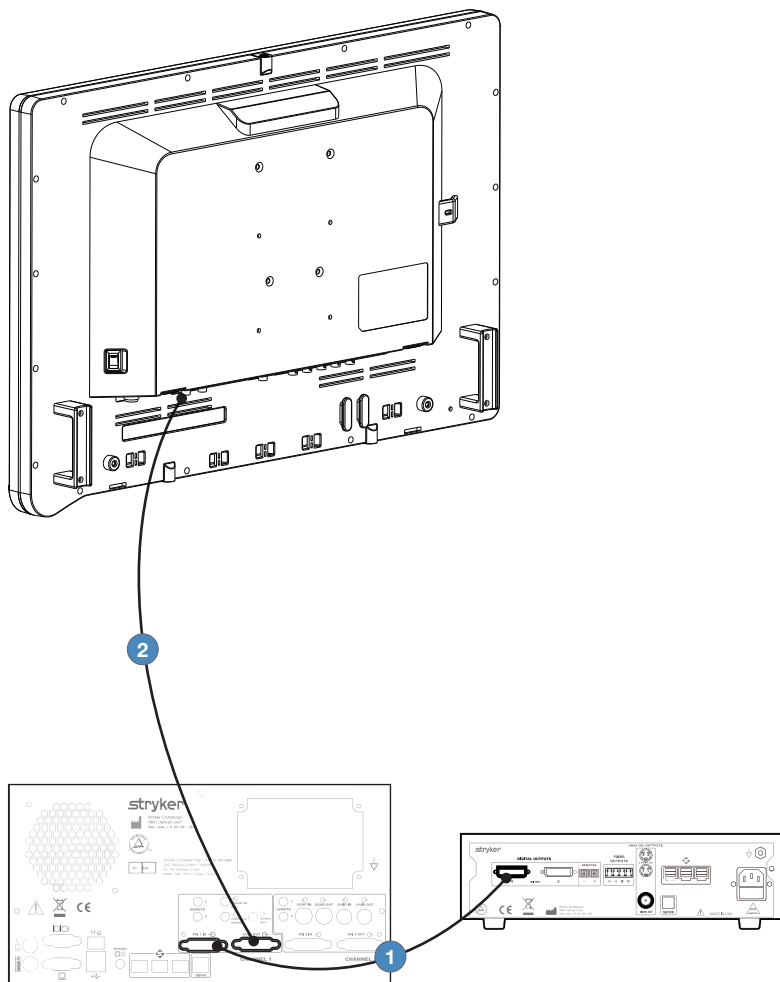
Tilslutning af strømforsyningen



1. Slut strømforsyningen til 24 V-indgangen på displayet.
2. Kobl vekselstrømsnetledningen til strømforsyningen*.
3. Tilslut vekselstrøm ved brug af den leverede netledning af hospitalskvalitet.
4. (Valgfrit, ikke vist) Tilslut en forlængerledning mellem strømforsyningen og displayet.
5. Installer kabelbeskytteren.

Strømforsyningsinformation: Modelnummer: BPM150S24F11, Producent: Bridgepower Corp.

Grundlæggende videoopsætning



1. Før videoudgang 1 fra kameraet til SDC DVI-indgangen.
2. Før videoudgang 1 fra SCD DVI-udgangen til DVI-indgangen på displayet.

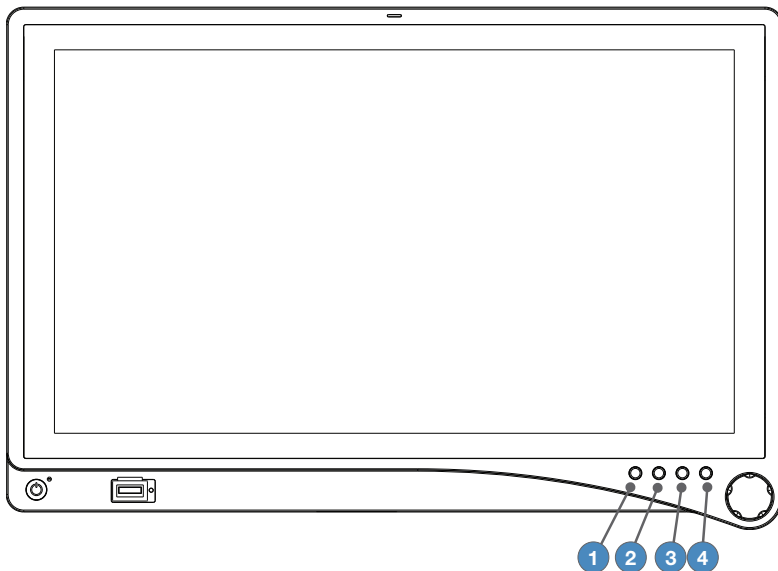
Bemærk: Stryker anbefaler en backup-forbindelse til kameraet.

Betjening

Displayet betjenes ved hjælp af drejeknappen og de fire knapper på frontpanelet. Herunder vises en liste over displayets kontrolknapper og deres funktioner.

Skærmvisning (On-Screen Display, OSD)

Adgang til skærmvisning



Brug af de fire knapper på frontpanelet:

- 1. Audio/PIP (VisionPro SYNK 26" trådløst LED-display):**
 - Tryk to gange for at aktivere billedvisningsfunktion (billede i billede, billede for billede, billede på billede)
- 2. PIP (VisionPro 26" LED-display):**
 - Tryk for at aktivere billedvisningsfunktion (billede i billede, billede for billede, billede på billede)
- 3. Lysstyrke:** Aktiverer Lysstyrke-justeringsmenuen.
- 4. Speciale:** Aktiverer Speciale-justeringsmenuen.
- Input:** Aktiverer Input-valgmenuen.

Brug drejeknappen for at navigere i menuerne på skærmen, når de er aktiveret:

- Tryk** — åbner/vælger skærmvisningsmenuen.
- Drej mod højre/venstre** — når skærmvisningsmenuen er aktiveret, øger/reducerer drejning værdien af den valgte parameter.
- Tryk og hold inde** — afslutter skærmvisningsmenuen.

Betjening af skærmvisning

Anordningens OSD hjælper til at navigere gennem anordningens forskellige menuer.

1. Tryk på **drejeknappen** for at aktivere OSD-menuen.
2. Drej på **drejeknappen** for at flytte op eller ned i menuen.
Parameteren fremhæves, når den vælges.
3. Tryk på **drejeknappen** for at gå til næste OSD-niveau.
4. Drej på **drejeknappen** for at øge eller reducere værdien af den valgte parameter, eller for at vælge imellem forskellige indstillinger.
5. Vælg funktionen Exit (Afslut) for at forlade OSD-menuskærmen fra det andet eller tredje niveau. Skærmvisningen afsluttes helt ved at trykke på **drejeknappen** og holde den inde. Hvis der ikke trykkes på nogle knapper, vil OSD automatisk blive afsluttet efter et tidsrum, der er forudindstillet fra fabrikken (dette tidsrum kan brugertilpasses).

OSD-menuer

Specialty (Speciale)

| Menupunkt | Beskrivelse | Område |
|---|---|--------------------------|
| Color Temperature (Farvetemperatur)* | Vælger mellem farvetemperaturer for Lap A, Lap B, Arthro A, Arthro B, Standard, PACS, NORM, ENT, GYN. | — |
| Red (Rød) | Rød balance | -128 – 127 |
| Green (Grøn) | Grøn balance | -128 – 127 |
| Blue (Blå) | Blå balance | -128 – 127 |
| Gamma | Gammaværdi | 0,1 – 2,5, S0, S1, S2 |

* RGB-justering via farvetemperatur er kun tilgængelig for Standard-, Arth- og Lap-indstillinger. PACS- og Norm-justeringer er kun tilgængelige under SOG-input.

Audio (menuen er ikke aktiveret for øjeblikket)

Brightness Settings (Indstillinger for lysstyrke)

| Menupunkt | Beskrivelse | Område |
|--|------------------------------------|---------|
| Brightness (Lysstyrke) | Øger eller reducerer lysstyrken | 0 – 100 |
| Contrast (Kontrast) | Øger eller reducerer kontrasten | 0 – 100 |
| Phase (Fase)** | Øger eller reducerer faseniveauet | 0 – 100 |
| Chroma (Kroma)** | Øger eller reducerer kromaniveauet | 0 – 100 |
| Image Sharpness (Billedskarphed) | Indstiller billedskarphed | 1 – 10 |
| Video Sharpness (Videoskarphed)** | Øger eller reducerer videoskarphed | 0 – 100 |

** Kun tilgængelig under SDI-, S- eller C-videoinput.

Image Effect (Billedeffekt)

| Menupunkt | Beskrivelse |
|--------------------------------------|---|
| Scale Mode (Skalatilstand) | Vælger skalatilstand som Fill All (Fyld alle), V-Fill (V-fyld), H-Fill (H-fyld), One-To-One (En-til-en) eller Fill-Aspect (Fyld-aspekt) |
| Freeze Frame (Fryse billeder) | Aktiverer eller deaktiverer frysning af billeder |
| PIP | Aktiverer PIP picture in picture (billede-i-billede)-funktionen |
| POP | Aktiverer POP picture on picture (billede-på-billede)-funktionen |
| PBP | Aktiverer PBP picture by picture (billede-efter-billede)-funktionen |

Advanced Settings (Avancerede indstillinger)

| Menupunkt | Beskrivelse |
|---|--|
| Key Lock (Tastelås) | Tastelås til: Deaktiverer alle tastefunktioner Tryk på drejeknappen og hold den inde for at slå tastelåsen fra. |
| Auto Source Select (Automatisk kildevalg) | Scanner inputs, indtil der detekteres en aktiv videokilde. Auto Source Select (automatisk kildevalg) er deaktiveret under PIP/POP/PBP-funktion. |
| Sleep Timer (Dvale-timer) | On (Til): Displayet går i dvaletilstand, hvis der ikke detekteres nogen aktiv videokilde. |
| | Off (Fra): Displayet går ikke i dvaletilstand. |
| | Timer: Indstil tiden til displayet går på dvaletilstand, hvis der ikke detekteres nogen aktiv video. |
| OSD Control (Skærmvisningskontrol) | Kontrollerer menuposition, baggrund og timeout for skærmvisning (OSD) |
| Restore Factory Settings (Gendan fabriksindstillinger) | Indstiller anordningen til fabrikkens standardindstillinger |
| Screen Control (Skærmkontrol) | VGA <ul style="list-style-type: none">• Horisontalt• Vertikalt• Fase• Frekvens |
| | S-video, C-video, SOG, RGBs, komponent <ul style="list-style-type: none">• Horisontalt• Vertikalt |

SYNK (for VisionPro SYNK 26" trådløst LED-display)

| Status | Beskrivelse |
|---|-------------|
| RX APP: XX.XX.XX RX MAC: XX.XX.XX.XX | Modtager |
| TX APP: XX.XX.XX TX MAC: XX.XX.XX.XX | Sender |
| WiFi SW: XXX-X.XX SIGNAL = Fremragende, godt, dårligt Standardregion: XXX FREKV.: XXXX MHz | Sender |

Information (Oplysninger)

| Menupunkt | Beskrivelse |
|---|---|
| User Name Entry (Indlæsning af brugernavn) | Registrerer tilpasset visning af brugernavn som opstartsvisning |
| Serial Number (Serienummer) | Viser anordningens serienummer |
| Runtime (Kørselstid) | Viser anordningens aktuelle totale kørselstid |
| Input Format (Input-format) | Viser det aktuelle input-format |

Bemærk: Faktiske skærmvisningsværdier kan variere afhængigt af de opdaterede versioner af firmwaren og brugerindstillingerne.

Fejlfinding

Før displayet returneres til service, skal nedenstående fejlfindingsliste ses igennem:

| Problem | Aktuel status | Afhjælpende tiltag |
|------------------------|--|--|
| Intet billede | Strømindikator tændt | Justér lysstyrke og kontrast til maksimum ved brug af OSD-menuen, eller nulstil dem til deres standardindstillinger. |
| | Strømindikator slukket | Sørg for, at tænd/sluk-knappen på displayets for- og bagside er TÆNDT. |
| | | Kontrollér, om vekselstrømsledningen er korrekt sluttet til vekselstrømsadapteren og stikket. |
| | | Kontrollér, om strømforsyningen er helt tilsluttet og fungerer korrekt. |
| Strømindikator blinker | Rødt | Displayet er i dvaletilstand. Tryk på en vilkårlig tast for at vække displayet. |
| | Gult | Strømforsyningen er muligvis i over- eller underspænding. |
| Unormalt billede | For stor, for lille eller manglende video, eller billedet er forskudt. | Brug Skærmkontrol-menuen til at justere indstillingerne for Fase, Frekvens, Horisontalt og Vertikalt for at korrigere displaybilledet. |
| | | Juster indstillinger i Skalatilstand |
| | | Kun for VGA-input: Tryk på drejeknappen og hold den inde i 1 – 2 sekunder for at gensynkronisere videovisningen. |
| | | Vent nogle få sekunder efter første synkronisering af videosignaler, eller sluk og tænd for displayet. |
| OSD-fejlmeddelelse | "Out of Range" (Uden for område) | Kontrollér, at der er tilsluttet en acceptabel videokilde. |
| Mønt-LED blinker gult | Fejl | Kontakt servicerepræsentant. |

Rengøring og vedligeholdelse



Advarsel

Kobl displayet og strømforsyningen fra stikkontakten inden rengøring for at undgå elektrisk stød og mulige skader med dødelig udgang.

Forsigtig

- Undgå at sprøjte rengøringsvæske direkte på displayet eller strømforsyningen, da det kan forårsage produktbeskadigelse. Sprøjt på kluden, før enheden tørres af.
- Displayet og strømforsyningen må ikke nedsænkes i væske, da det kan forårsage produktbeskadigelse.
- Undlad at anvende ætsende rengøringsopløsninger til rengøring af displayet eller strømforsyningen, da det kan forårsage produktbeskadigelse.
- Displayet og strømforsyningen må ikke steriliseres, da det kan forårsage produktbeskadigelse.

Rengøring

Rengøring af displayet eller strømforsyningen:

1. Hvis displaybeskytteren er sat på, skal den tages af inden rengøring.
2. **For VisionPro SYNK 26" trådløst LED-display:** Sørg for at placere dækslet over møntindkastet før rengøring.
3. Påfør standard desinfektionsmiddel eller mildt rengøringsmiddel på en tør steril klud.
4. Aftør displayet eller strømforsyningen.
5. Udvis ekstra forsigtighed, når displayskærmen rengøres. Overskydende væske eller dryp, der trænger ind i bunden af skærmen eller strømforsyningsstikket, kan forårsage produktbeskadigelse.

Inspektion

Inspicer altid produktet før brug. Se afsnittet Fejlfinding i dette dokument, hvis nogen af de følgende tilstande opstår. Hvis produktets ydeevne fortsat er utilfredsstillende, skal brugen afbrydes og den lokale Stryker-repræsentant kontaktes.

- Intet billede, unormalt billede eller uacceptabel billedkvalitet
- Manglende evne til at tænde
- U hensigtsmæssig eller ikke-reagerende knap og/eller knapfunktionalitet
- Betydelig beskadigelse på skærmen eller tilbehøret, herunder uacceptabel skærmlarhed, beskadigede belægninger, korrosion, unormal støj, flænger i kabler, blottede ledninger og/eller enhver beskadigelse, der forhindrer en sikker monteringsgrænseflade
- Strøm-LED blinker gult

Forventet holdbarhed

Anordningens og dens tilbehørs levetid afhænger primært af slid, rengøringsmetoder samt andre skader, som kan opstå ved brug. For at udvide tiden mellem vedligeholdelse af enheden, skal du altid følge pleje og håndteringsvejledninger i denne brugervejledning og i brugervejledningen til anordningens tilbehør.

Bortskaffelse



Produktet og dets tilbehør skal indsamles separat med henblik på genindvinding i henhold til EU-direktiv 2012/19/EU om affald af elektrisk og elektronisk udstyr (WEEE) med rettelser. Må ikke bortskaffes sammen med almindeligt husholdningsaffald.

Kontakt den lokale forhandler for at få oplysninger om bortskaffelse. Inficeret udstyr skal rengøres i henhold til afsnittet Rengøring i denne brugervejledning og brugervejledningen til anordningens tilbehør inden genbrug.

Alt systemtilbehør skal bortskaffes i henhold til hospitalets regulativer for bortskaffelse af potentielt kontamineret affald.

Rapportering af bivirkninger

Enhver alvorlig hændelse, som forekommer i forbindelse med denne enhed, skal indberettes til Stryker og i Den Europæiske Union desuden til den kompetente myndighed i det medlemsland, hvor den berørte person er bosiddende.

Tekniske specifikationer

Display

| | |
|--|--|
| LCD-displaypanel | 26" (661 mm) diagonalt (a-Si TFT aktiv matrix-LCD) |
| Synkronisering | 2,5 – 5,0 Vpp separeret synkronisering |
| Pixelpitch | 0,300 (H) x 0,300 (B) mm |
| Responstid | < 18 ms typ |
| Visningsvinkel | Højre/venstre/op/ned 89 grader |
| Displayfarver | 1 milliard farver (10 bit) |
| Opprindelig opløsning | 1920 (H) punkter x 1080 (B) linjer |
| VisionPro 26" LED-displaysignaler: | DVI, VGA, 3G/HD/SD-SDI (In/Out), C-Video/SOG, S-Video, komponent/RGB'er (Y/G, Pb/B, Pr/R, HS, VS), RS232 |
| VisionPro SYNK 26" trådløst LED-display signaler: | Trådløst digital RGB, DVI, S-Video, C-Video/SOG, RS232 og USB |
| Maksimalt pixelur | 165 MHz |

Elektrisk

| | |
|-----------------------------------|--|
| Netadapter | Input: 100 – 240 V AC; 50 – 60 Hz; 2,5 A (2,5A - 1,5A) Output: 24 V DC; 6,25 A (150 W maks.) Modelnummer: BPM150S24F11 |
| Strømforbrug (omtrentligt) | 35 – 65 watt |

Nominal strøm/spænding

Det skal sikres, at de respektive netledninger overholder gældende lokale regulativer og standarder.

| | |
|--------------------------------|---|
| 110 V ± 10 V strømudtag | Vælg en netledning, der er UL-mærket og CSA-godkendt, type SJT eller SVT, 3-leder, 18 AWG, der ender i et påstøbt stik af hospitalskvalitet klassificeret til 110 V ± 10 V, 15 A, med en minimumlængde på 1,8 meter. |
| 220 V ± 20 V strømudtag | Vælg en strømforsyningsledning, der er internationalt harmoniseret og mærket "<HAR>", 3 – leder, 0,75 mm ² minimum leder, nominelt 220 V ± 20 V, 10 A med isoleret PVC-stik. Ledningen skal have et påstøbt stik, der er klassificeret til 220 V ± 20 V, 10 A. Ledningen og stikket skal være egnede til medicinsk brug. |

Dimensioner

| | |
|---------------------------------|-----------------------|
| Mål (B × H × D) | 660,4 × 442 × 86,4 mm |
| Vægt (omtrentlig) | 8,3 kg |
| VESA-monteringsinterface | VESA 100 × 100 mm |

Driftsforhold

| | |
|--------------------------|------------|
| Temperaturområde | 10 – 40 °C |
| Relativ fugtighed | 25 – 75 % |

Transport- og opbevaringsbetingelser

| | |
|--------------------------|-------------|
| Temperaturområde | -18 – 60 °C |
| Relativ fugtighed | 15 – 90 % |

Klassifikation og godkendelser

Klasse 1-udstyr

Medicinsk udstyr som, udelukkende for så vidt angår elektrisk stød, brand og mekaniske farer, overholder UL 60601-1 og CAN/CSA C22.2 nr. 601.1.

IP23: Beskyttelse mod adgang til farlige dele med fingre eller lignende genstande, beskyttelse mod indtrængende vandsprøjt (mindre end 60° fra lodret)

Kontinuerlig drift

Overholdelse

FCC-regler

VisionPro 26" LED-display:

FCC afsnit 15, klasse B

FCC-identifikator: QVXAMM261WTDS

VisionPro SYNK 26" trådløst LED-display:

FCC afsnit 15, klasse B

FCC-identifikator: QVXAMM261WTDSW

FCC afsnit 15, klasse C

FCC-identifikator: SSH-SYNKRX (modtagerkort)

FCC-identifikator: SSH-SDMAN (tilbehørskort)

IC-regler

VisionPro SYNK 26" trådløst LED-display:

IC: 4919C-SYNKRX (modtagerkort)

IC: 4919C-SDMAN (tilbehørskort)

Bemærk: Kontakt den lokale Stryker Endoscopy salgsrepræsentant for oplysninger om ændringer og nye produkter.

Elektromagnetisk kompatibilitet

Som andet medicinsk elektrisk udstyr kræver VisionPro 26" LED-display og VisionPro SYNK 26" trådløst LED-display særlige sikkerhedsforanstaltninger for at sikre elektromagnetisk kompatibilitet med andre medicinske elektriske anordninger. For at sikre elektromagnetisk kompatibilitet (EMC) skal displayet installeres og betjenes i henhold til de EMC-oplysninger, der gives i denne vejledning. Displayet er udviklet og testet til at overholde IEC 60601-1-2-kravene vedrørende elektromagnetisk kompatibilitet med andre anordninger.

Bemærk: Dette udstyr er til brug i et hospitalsmiljø. Det er ikke til brug i det RF-afskærmede rum for et medicinsk elektrisk system til magnetisk resonansbilleddannelse, hvor EM-forstyrrelsesintensiteten er høj.

Bemærk: Dette udstyr er formentlig ikke følsom over for interferens fra instrumenter til HF-kirurgi i et specielt miljø i nærheden af et aktivt instrument til HF-kirurgi. Hvis der påvises høj HF-kirurgisk interferens, skal separationsafstanden til udstyret justeres.



Advarsel

Når denne anordning er koblet sammen med andet elektrisk udstyr, kan krybestrøm være additiv. For at minimere den samlede patientkrybestrøm skal det sikres, at alle systemer installeres i henhold til kravene i IEC 60601-1-1.

Forsigtig

Transportabelt og mobilt RF-kommunikationsudstyr kan påvirke displayets normale funktion. Brug kun de kabler og det tilbehør, der leveres sammen med displayet, da der ellers er risiko for øgede elektromagnetiske emissioner eller reduceret immunitet over for sådanne emissioner. Hvis displayet bruges i nærheden af eller stables sammen med andet udstyr, skal displayets normale drift observeres og bekræftes i den konfiguration, som det skal bruges i, før det anvendes i en kirurgisk procedure. Se nedenstående tabeller vedrørende retningslinjer for placering af displayet.

Vejledning og producentens erklæring: Elektromagnetiske emissioner

VisionPro 26" LED-display og VisionPro SYNK 26" trådløst LED-display er beregnet til brug i de elektromagnetiske omgivelser, der er specificeret nedenfor. Kunden eller brugeren af displayet skal sikre, at det bruges i et sådant miljø.


| Emissionstest | Overholdelse | Elektromagnetisk miljø – vejledning |
|---|--------------|--|
| RF-emissioner CISPR 11 | Gruppe 1 | Displayene bruger kun RF-energi til dens interne funktion. Derfor er deres RF-emissioner meget lave og vil sandsynligvis ikke forårsage nogen interferens med elektronisk udstyr i nærheden. |
| RF-emissioner CISPR 11 | Klasse B | Displayene er egnede til brug alle steder, bortset fra boliger og andre områder, der er direkte tilsluttet til det offentlige lavspændings strømforsyningsnet, som leverer strøm til bygninger anvendt til beboelsesformål, forudsat at følgende advarsel overholdes: |
| Harmoniske emissioner IEC 61000-3-2 | Klasse D | Advarsel: Dette system er udelukkende beregnet til brug for læger eller sundhedspersonale. Dette system kan forårsage radiointerferens eller kan forstyrre betjening af udstyr, der er placeret tæt ved. Det kan være nødvendigt at foretage afhjælpende foranstaltninger, f.eks. flytning eller vending af udstyret eller afskærmning af placeringen. |
| Spændingsudsving/flimmer-emissioner IEC 61000-3-3 | Overholder | |

| Vejledning og producentens erklæring – elektromagnetisk immunitet | | | |
|--|---|---|---|
| VisionPro 26" LED-display og VisionPro SYNK 26" trådløst LED-display er beregnet til brug i de elektromagnetiske omgivelser, der er specificeret nedenfor. Kunden eller brugeren af displayet skal sikre, at det bruges i et sådant miljø. | | | |
| Immunitetstest | IEC 60601-testniveau | Overholdelsesniveau | Elektromagnetisk miljø – vejledning |
| Elektrostatisk afladning (ESD) IEC 61000-4-2 | ± 8 kV kontakt ± 15 kV luft | ± 8 kV kontakt ± 15 kV luft | Gulve skal være af træ, beton eller keramiske fliser. Hvis gulvbelægningen er syntetisk, skal den relative luftfugtighed være mindst 30 %. |
| Elektriske hurtige strømudsving/-burst IEC 61000-4-4 | ± 2 kV til strømforsyningsledninger ± 1 kV til ind-/udgangsledninger (hvis relevant) | ± 2 kV ledning til jord ± 1 kV ledning til ledning (hvis relevant) | Strømforsyningskvaliteten skal svare til kvaliteten i et typisk erhvervs- eller hospitalsmiljø. |
| Spændingsbølger IEC 61000-4-5 | ± 1 kV differentialtilstand ± 2 kV almindelig tilstand | ± 1 kV differentialtilstand ± 2 kV almindelig tilstand | Strømforsyningskvaliteten skal svare til kvaliteten i et typisk erhvervs- eller hospitalsmiljø. |
| Spændingsfald, korte afbrydelser og spændingsvariationer på strømforsyningsindgangsledninger IEC 61000-4-11 | 0 % U_i i 0,5 cyklus 0 % U_i 1 cyklus 70 % U_i i 25 cyklusser 0 % U_i i 5 sek. | 0 % U_i i 0,5 cyklus 0 % U_i 1 cyklus 70 % U_i i 25 cyklusser 0 % U_i i 5 sek. | Strømforsyningskvaliteten skal svare til kvaliteten i et typisk erhvervs- eller hospitalsmiljø. Hvis brugeren af senderen kræver kontinuerlig drift under strømafbrydelser, anbefales det, at den trådløse sender drives fra en nødstrømforsyning eller et batteri. |
| Strømfrekvens (50/60 Hz) magnetfelt IEC 61000-4-8 | 30 A/m | 30 A/m | Strømfrekvensmagnetfelter skal ligge på niveauet, der er karakteristiske for en typisk lokalitet i et typisk erhvervs- eller hospitalsmiljø. |
| Bemærk: U_i er vekselspændingen for hovedstrømforsyningen inden anvendelse af testniveauet. | | | |

Vejledning og producentens erklæring: Elektromagnetisk immunitet

VisionPro 26" LED-display og VisionPro SYNK 26" trådløst LED-display er beregnet til brug i de elektromagnetiske omgivelser, der er specificeret nedenfor.

Kunden eller brugeren af displayet skal sikre, at det bruges i et sådant miljø.

| Immunitetstest | IEC 60601 testniveau | Overholdelsesniveau | Elektromagnetisk miljø – vejledning |
|-----------------------------------|------------------------------|---------------------|--|
| Ledningsbåret RF IEC 61000-4-6 | 3 Vrms 150 kHz til 80 MHz | 3 V | Bærbart og mobilt RF-kommunikationsudstyr må ikke anvendes tættere på nogen del af displayene, herunder deres kabler, end den anbefalede separationsafstand, der er beregnet ud fra den ligning, der anvendes til senderfrekvensen. Anbefalet separationsafstand: $d = 2 \sqrt{P}$ 80 MHz til 2,7 GHz hvor P er senderens maksimale udgangsstrømværdi i watt (W) i henhold til senderens producent, og d er den anbefalede separationsafstand i meter (m). Feltstyrker fra faste RF-sendere, som fastlagt i en elektromagnetisk lokalitetsundersøgelse (a), bør være lavere end overholdelsesniveauet i hvert frekvensområde (b). Der kan opstå interferens i nærheden af udstyr, der er mærket med følgende symbol:  |
| Udstrålet RF IEC 61000-4-3 | 10 V/m 80 MHz til 2,7 GHz | 10 V/m | |

(a) Feltstyrker fra faste sendere, såsom basisstationer til radiotelefoner (mobile/trådløse) og landmobilradioer, amatørradio-, AM- og FM-radioudsendelse samt TV-udsendelse, kan ikke forudsiges teoretisk med nøjagtighed. For at vurdere det elektromagnetiske miljø, der er foranlediget af faste RF-sendere, bør en elektromagnetisk lokalitetsundersøgelse overvejes. Hvis den målte feltstyrke på det sted, VisionPro 26" LED-display og VisionPro SYNK 26" trådløst LED-display bruges, overskrider det ovenfor angivne RF-overholdelsesniveau, skal display og transmitter holdes under opsyn for at verificere, at de fungerer normalt. Hvis der observeres unormal ydelse, kan yderligere forholdsregler være nødvendige, såsom reorientering eller flytning af displayet.

(b) Over frekvensområdet 150 kHz til 80 MHz bør feltstyrkerne være mindre end 3 V/m.

| Testede specifikationer for immunitet over for trådløst RF-kommunikationsudstyr | | | | | | |
|--|-------------|--|---|------------------|-------------|-----------------------------|
| Testfrekvens (MHz) | Bånd (MHz) | Service | Modulation | Maks. effekt (W) | Afstand (m) | Immunitets-testniveau (V/m) |
| 385 | 380 – 390 | TETRA 400 | Impuls-modulation 18 Hz | 1,8 | 0,3 | 27 |
| 450 | 430 – 470 | GMRS 460, FRS 460 | FM ± 5 kHz afvigelse 1 kHz sinus | 2 | 0,3 | 28 |
| 710 | 704 – 787 | LTE-bånd 13, 17 | Impuls-modulation 217 Hz | 0,2 | 0,3 | 9 |
| 745 | | | | | | |
| 780 | | | | | | |
| 810 | 800 – 960 | GSM 800/900, TETRA 800, iDEN 820, CDMA 850, LTE-bånd 5 | Impuls-modulation 18 Hz | 2 | 0,3 | 28 |
| 870 | | | | | | |
| 930 | | | | | | |
| 1720 | 1700 – 1990 | GSM 1800; CDMA 1900; GSM 1900; DECT; LTE-bånd 1, 3, 4, 25; UMTS | Impuls-modulation 217 Hz | 2 | 0,3 | 28 |
| 1845 | | | | | | |
| 1970 | | | | | | |
| 2450 | 2400 – 2570 | Bluetooth, WLAN, 802.11 b/g/n, RFID 2450, LTE-bånd 7 | Impuls-modulation 217 Hz | 2 | 0,3 | 28 |
| 5240 | 5100 – 5800 | WLAN 802.11 a/n | Impuls-modulation 217 Hz | 0,2 | 0,3 | 9 |
| 5500 | | | | | | |
| 5785 | | | | | | |
| Bemærk: Bærbart RF-kommunikationsudstyr bør ikke bruges tættere end 30 cm på VisionPro 26" LED-display og VisionPro SYNK 26" trådløst LED-display. Dette vil kunne resultere i, at udstyrets ydeevne forringes. | | | | | | |
| Herved erklærer Stryker, at VisionPro SYNK 26" trådløst LED-display overholder de essentielle krav og andre relevante bestemmelser i R&TTE-direktivet 1999/5/EF. En kopi af overensstemmelseserklæringen kan fås hos Stryker Endoscopy, 5900 Optical Court, San Jose, CA, 95138, USA | | | | | | |

Symboler og definitioner

Følgende symboler er vist på produktet, produktmærkningen eller emballagen. Hvert symbol er forsynet med en symbolforklaring, som vist herunder:



Se brugsanvisningen



OBS: Se brugsanvisningen



Serienummer



Antal



Temperaturområde



Fugtighedsområde



Autoriseret europæisk repræsentant



Oprindelsesland



Katalognummer



Jævnstrøm



Fremstillingsdato



Ansvarlig producent



Testet til overholdelse af FCC Klasse B- og C-standarder



Trådløs transmission



I henhold til amerikansk lovgivning må denne anordning kun sælges af en læge eller på dennes ordinerings



Anordningen lever op til EU's krav til medicinske anordninger



Genbrugskode for anordningen (relevant i Kina)



CCC-mærke (China Compulsory Certificate Mark)

IP23

Kapslingen yder beskyttelse mod:

- Adgang til farlige dele med fingre eller lignende genstande
- Vandsprøjt (mindre end 60° fra lodret)



Overholder lovmæssige krav i Australien



Medicinsk udstyr som overholder AAMI ES60601-1 og CSA C22.2 nr. 60601-1-08-CAN/CSA med hensyn til elektrisk stød, brandfarer og mekaniske farer



Dette produkt indeholder elektrisk eller elektronisk udstyr, som efterfølgende skal bortskaffes. Produktet må ikke bortskaffes som almindeligt affald og skal afhændes særskilt.



Medicinsk udstyr i Den Europæiske Union

Sisällysluettelo

| | |
|---|---------------|
| Varoitukset ja muistutukset | FI-255 |
| Tietoja laitteesta | FI-258 |
| Käyttötarkoitus ja käyttöaiheet..... | FI-259 |
| Vasta-aiheet | FI-259 |
| Pakkauksen sisältö..... | FI-260 |
| Laitteen ominaisuudet..... | FI-261 |
| Asennus | FI-266 |
| Liitännät..... | FI-266 |
| Videon perusasennus | FI-268 |
| Käyttö | FI-269 |
| Valikkonäyttö..... | FI-269 |
| Valikkonäytön valikot | FI-271 |
| Vianetsintä..... | FI-274 |
| Puhdistus ja huolto | FI-275 |
| Tekniset tiedot | FI-277 |
| Sähkömagneettinen yhteensopivuus | FI-279 |
| Symbolit ja määritelmät..... | FI-283 |

Varoitukset ja muistutukset

Lue tämä opas ja noudata sen ohjeita huolellisesti. Sanoilla varoitus, muistutus ja huomautus on erityismerkitys. Niillä merkittyihin kohtiin tulee kiinnittää erityistä huomiota:

Varoitus: Viittaa toimiin, joiden tarkoituksena on välttää vakavat vahingot käyttäjälle ja potilaalle.

Muistutus: Osoittaa riskejä laitteistolle. Jos muistutuksia ei noudateta, seurauksena voi olla laitteiston vahingoittuminen.

Huomautus: Antaa erityistä tietoa ohjeiden selventämiseksi tai hyödyllistä lisätietoa.

Varoitukset

Käyttäjän ja potilaan vakavan loukkaantumisen välttämiseksi käyttäjän on otettava huomioon seuraavat varoitukset:

1. Lue tämä opas kokonaisuudessaan ja tutustu sen sisältöön ennen laitteen käyttöä.
2. Yhdysvaltain liittovaltion lain mukaan tämän laitteen saa myydä ainoastaan lääkäri tai lääkärin määräyksestä.
3. Poista laite pakkauksesta varovasti ja tarkista se huolellisesti mahdollisten kuljetusvaurioiden varalta.
4. Laite ei ole steriili, eikä sitä siksi saa sijoittaa steriilille alueelle.
5. Älä aseta laitetta tai mitään muuta raskasta esinettä virtajohdon päälle. Johdon vahingoittuminen voi aiheuttaa tulipalon tai sähköiskun.
6. Vältä kotelon poistamista, jotta et aiheuta sähköiskun vaaraa.
7. Laitetta ei saa käyttää muiden laitteiden vieressä eikä sitä saa pinota muiden laitteiden kanssa. Jos käyttö toisen laitteen vieressä tai samassa pinossa on välttämätöntä, laitetta on valvottava normaalin toiminnan varmistamiseksi siinä kokoonpanossa, jossa sitä aiotaan käyttää.
8. Testaa laite ennen kirurgisia toimenpiteitä. Tämä laite on testattu kokonaisuudessaan tehtaalla ennen lähetystä.
9. Älä suorita laitteelle minkäänlaisia sisäisiä huoltotoimenpiteitä tai säätöjä, ellei niistä ole yksityiskohtaisia ohjeita tässä oppaassa. Säädöt, muutokset ja/tai korjaukset saa teettää vain Stryker Endoscopyn valtuuttamilla henkilöillä.
10. Älä aseta päästä paneeliin mitään esineitä. Jos näin käy, irrota laitteen virtajohto ja tarkastuta se valtuutetulla huoltohenkilöllä ennen käytön jatkamista.
11. Estä huolellisesti kosketus nesteiden kanssa, jos laitetta käytetään virtalähteen kanssa potilasympäristöissä.
12. Muiden kuin erikseen ilmoitettujen kaapeleiden ja/tai varusteiden käyttö saattaa lisätä säteilyä tai heikentää laitteen häiriönsietokykyä.

Muistutukset

1. Liitä laite verkkolaitteeseen, joka on yhdistetty sairaalaluokitettuun virtajohtoon. Varmista, että virtajohto on kytketty maadoitettuun pistorasiaan, jotta maadoitus on luotettava.
2. Älä steriloil laitetta, sillä herkät elektroniset osat eivät kestä tällaista käsittelyä.
3. Käytä näytön kanssa vain kirurgiselle näytölle tarkoitettua virtalähdettä. Varmista, että tasavirtajohdon ja jatkojohdon välinen liitäntä on pitävä.
4. Älä koskaan käytä laitetta välittömästi sen jälkeen, kun se on siirretty kylmästä ympäristöstä lämpimään ympäristöön.
5. Jos haluat liittää laitteen ulkomaiseen virtalähteeseen, käytä pistorasiaan sopivaa sovitinta tämän oppaan osion "Tekniset tiedot" mukaan.
6. Irrota laite sähköverkosta, jos sitä ei ole tarkoitus käyttää pitkään aikaan. Irrota johto kiertämällä pistoke auki ja vetämällä johto pistokkeesta. Älä koskaan vedä johdosta.
7. Älä altista laitetta kosteudelle tai levitä nestemäistä puhdistusainetta suoraan ruudulle. Ruiskuta puhdistusliuos pehmeälle liinalle ja pyyhi kevyesti. Katso lisätietoja tämän oppaan osiosta "Puhdistus ja huolto".
8. Varmista riittävä ilmanvaihto laitteen ylikuumentumisen estämiseksi. Älä aseta laitetta pinnoille (matolle, huovalle jne.) tai sellaisten materiaalien (verhojen) lähelle, jotka voivat tukkia ilmanvaihtoaukot. Laite jäähtyy lämmön luonnollisen ilmavirtauksen avulla, eikä siinä ole tuuletinta.
9. Älä koske potilaaseen signaalin tulo- tai lähtöliittimillä. SIP/SOP-liittimillä varustettujen laitteiden on oltava IEC 60601-1- ja/tai IEC 60601-1-1 -standardin harmonisoidun kansallisen vastineen mukaisia tai yhdistelmän turvallisuus on arvioitava erikseen.
10. Katso tiedot sähkömagneettisen yhteensopivuuden varmistamisesta tämän oppaan osiosta "Sähkömagneettinen yhteensopivuus". VisionPro 26" -LED-näyttö (0240-031-020) ja langaton VisionPro SYNK 26" -LED-näyttö (0240-031-000) on asennettava ja niitä on käytettävä tässä oppaassa annettujen sähkömagneettista yhteensopivuutta koskevien tietojen mukaisesti.
11. Kiinnitä erityistä huomiota tämän oppaan puhdistusohjeisiin. Ohjeista poikkeaminen voi aiheuttaa vahinkoja.
12. Älä aseta laitetta paikkaan, jossa se altistuu auringonvalolle, pölylle, tärinöille tai iskuille.
13. Sijoita laite siten, että virtajohto on helppo irrottaa pistorasiasta.
14. Älä käytä laitetta, jos lasinen näyttö osoittaa alaspäin.
15. Käsittele laitetta varovasti. Älä kolhi tai naarmuta ruutua.
16. Muut kuin vaatimustenmukaisuudesta vastuussa olevan osapuolen erityisesti hyväksymät muutokset voivat mitätöidä käyttäjän oikeuden käyttää laitetta.

17. **Huomautus:** Tämä laite on tutkitusti FCC-säädösten luokan B laitteita koskevan osan 15 mukainen. Nämä rajat tarjoavat kohtuullisen suojan häiriöiltä, kun laite on asennettu asuintiloihin. Tämä laite tuottaa, käyttää ja voi säteillä radiotaajuista energiaa ja siten aiheuttaa haitallisia radiohäiriöitä, ellei sitä asenneta ja käytetä ohjeiden mukaan. Emme takaa, ettei laite aiheuta häiriötä tietyssä asennuksessa. Häiriön voi selvittää katkaisemalla laitteesta virran ja kytkemällä sen uudelleen. Käyttäjän kannattaa koettaa korjata häiriö yhdellä tai useammalla seuraavista toimenpiteistä.
- Suuntaa tai sijoita vastaanotto-laite uudelleen.
 - Lisää laitteiden välistä etäisyyttä.
 - Liitä laite eri piiriin kuin muut laitteet.
 - Pyydä ohjeita valmistajalta tai kutsu huoltoasentaja.

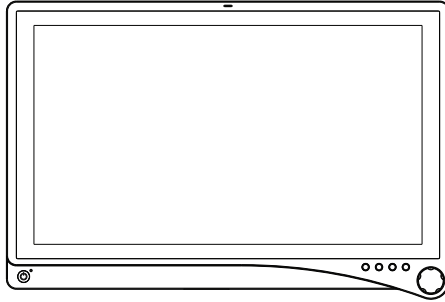
Takuu raukeaa, mikäli jokin näistä varoituksista tai huomautuksista jätetään huomiotta.

Tuote sisältää sähköromua tai elektroniikkalaitteita. Sitä ei saa hävittää sekajätteen kanssa vaan se on kerättävä erikseen.

Tietoja laitteesta

VisionPro 26" -LED-näyttö

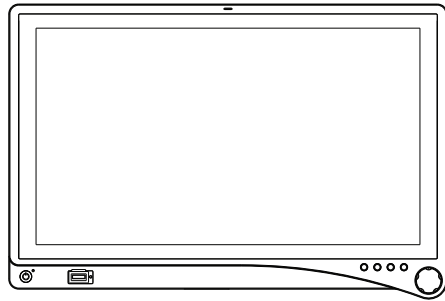
REF: 0240-031-020



VisionPro 26" -LED-näyttö on kirurginen LED-laajakuvanäyttö, jonka suurin mahdollinen tarkkuus on WUXGA (1 920 x 1 200). Näyttö tukee seuraavia videotuloja: digitaalinen RGB, analoginen RGB, digitaalinen sarjaliitäntä (SDI), komponenttivideo (YPbPr/RGBS), S-video ja C-video/SOG. Lisäksi se tukee sarjatieliikennettä RS232-portin kautta.

Langaton VisionPro SYNK 26" -LED-näyttö

REF: 0240-031-000



Langatonta VisionPro SYNK 26" -LED-näyttöä voi käyttää valinnaisen SYNK-lähettimen (0240-031-010 tai 0240-031-011) kanssa. Lähettimen avulla laite vastaanottaa HD-videosignaalin radiotaajuuslinkin kautta.

Näyttö tukee seuraavia videotuloja: DVI, S-video ja C-video/SOG. Kun langaton toiminto on otettu käyttöön, näyttö tukee langatonta digitaalista RGB-videotuloa. Lisäksi se tukee USB-porttia ja sarjatieliikennettä RS232-portin kautta.

Huomautus: VisionPro SYNK 26" -LED-näytön langaton toiminto voidaan ottaa käyttöön vain SYNK-lähettimen avulla.

Lisätietoja langattoman SYNK-lähettimen ja VisionPro SYNK 26" -LED-näytön langattoman toiminnon käytöstä on langattoman SYNK-järjestelmän käyttöohjeessa (P21693).

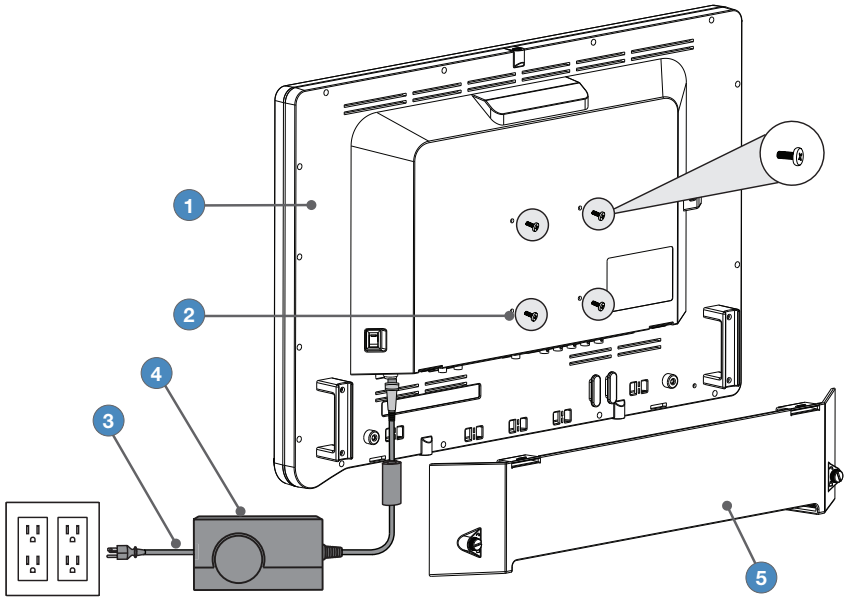
Käyttötarkoitus ja käyttöaiheet

Langaton VisionPro SYNK 26"-LED-näyttö ja VisionPro 26"-LED-näyttö on tarkoitettu videokuvan näyttämiseen kirurgisissa toimenpiteissä, mukaan lukien artroskopia (ortopedinen kirurgia), laparoskopia (yleiskirurgia ja gynekologinen kirurgia), torakoskopia, endoskopia (yleinen ja gastroenterologinen kirurgia sekä korva-, nenä- ja kurkkukirurgia) sekä yleiskirurgia. Näyttö on steriloiaton, kestävä ja kestävä laite, jota ei ole tarkoitettu käytettäväksi sterilillä alueella. Näyttö on tarkoitettu sellaisten hyväksytyjen lääkäreiden käyttöön, joilla on täydelliset tiedot kyseisistä kirurgisista toimenpiteistä.

Vasta-aiheet

Laitteella ei ole tunnettuja vasta-aiheita.

Pakkauksen sisältö



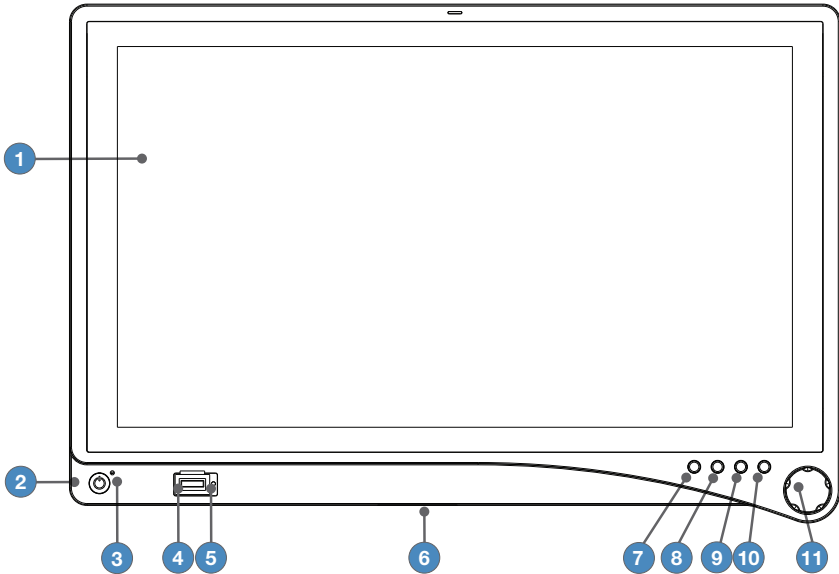
| Viittaus | Osanumero | Pakkauksen sisältö |
|----------|------------------------------|---|
| 1 | 0240-031-020 0240-031-000 | VisionPro 26" -LED-näyttö tai langaton VisionPro SYNK 26" -LED-näyttö |
| 2 | - | (4) M4 x 16 mm VESA-ruuvia |
| 3 | - | Sairaalaluokitettu verkkovirtajohto |
| 4 | 0240-031-004 | Lääkinnällinen virtalähde |
| 5 | - | Kaapelin suojus |

| Osanumero | Valinnaiset lisävarusteet |
|--------------|--|
| 0240-031-002 | VisionPro 26" -näytön suojus |
| 0240-031-004 | Lääkinnällinen virtalähde |
| 0240-031-010 | Langaton SYNK-lähetin |
| 0240-030-951 | 4,5 metrin (5-nastainen) tasavirtajatkokaapeli |
| 0240-030-952 | 23 metrin (5-nastainen) tasavirtajatkokaapeli |

Laitteen ominaisuudet

Etupaneeli

Käytä näyttöä etupaneelin kiertosäätimen avulla. Seuraavassa on luettelo näytön näppäimistä ja niiden toiminnoista.



- | | |
|--|---|
| 1. Kuvaruutunäyttö | Näyttää videokuvaa. |
| 2. Virtakytkin (pehmeä) | Kytkee näytön virran päälle ja pois päältä. |
| 3. Virran merkkivalo | Osoittaa laitteen tilan. Vihreä valo: näyttöön on kytketty virta tai näyttö on näyttönsäästötilassa. Punainen vilkkuva valo: näyttö on lepotilassa. |
| 4. Tunnistekortin paikka (Langaton VisionPro SYNK 26" -LED-näyttö) | Oranssi vilkkuva valo: jännite on liian suuri tai liian pieni. Tunnistekortin asennuspaikkaa käytetään langattoman yhteyden luomiseen lähettimen kanssa. |
| 5. Tunnistekortin merkkivalo (Langaton VisionPro SYNK 26" -LED-näyttö) | Vihreä valo: linkki on muodostettu. Oranssi valo: alustus käynnissä. Oranssi vilkkuva valo: virhe – ota yhteys huoltoedustajaan. |
| 6. Lisäliitäntä | Tukee lisälaitteiden liitäntää. |

7. Audio/PIP

VisionPro 26" -LED-näyttö:

Siirry Kuva kuvassa -säätövalikkoon.

Langaton VisionPro SYNK 26" -LED-näyttö:

Siirry Kuva kuvassa -säätövalikkoon painamalla kaksi kertaa.

Huomautus: Äänitoiminto ei ole käytössä.

8. Kirkkaus

Avaa Kirkkauden säätö -valikon.

9. Erikoissovellus

Avaa Erikoissovelluksen säätö -valikon.

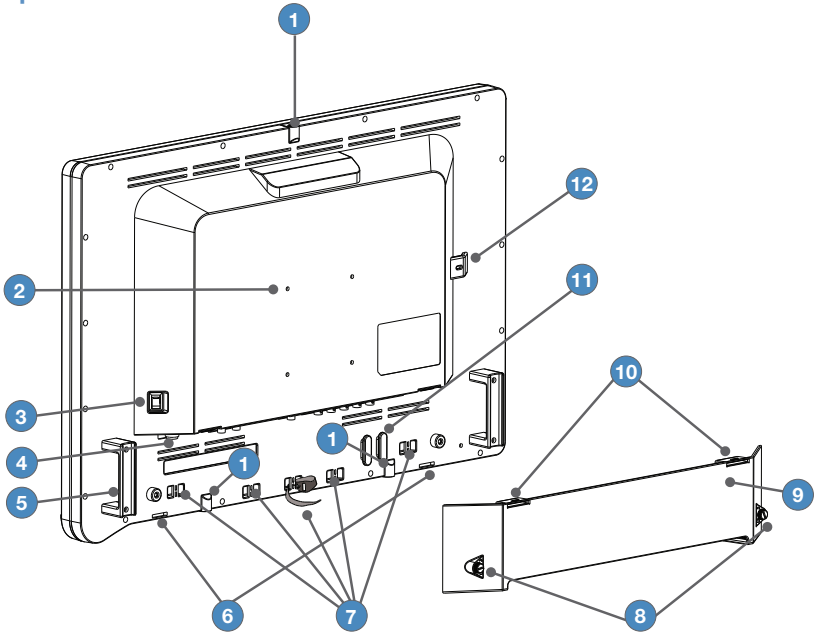
10. Tulo

Avaa Tulon valinta -valikon.

11. Kiertosäädin

Avaa valikkonäytön ja siirryy toiminnosta toiseen.

Takapaneeli



1. **Lisävarusteiden kiinnittimet (3)**

2. **VESA-kiinnitysreiät**

3. **Virtakytkin (kova)**

4. **Virtaliitäntä**

5. **Kahvat**

6. **Kaapelin suojuksen pidikkeet**

7. **Tarranauhat**

8. **Kaapelin suojuksen siipiruuvit**

9. **Kaapelin suojus**

10. **Kaapelin suojuksen kiinnikkeet**

11. **Kaapelin kiedontapidike**

12. **Lukitustoiminto**

Toimivat valinnaisten lisävarusteiden asennuspaikkoina.

Toimivat näytön asennuspaikkoina.

Kytkee ja katkaisee tasavirtasyötön.

Liittää laitteen 24 voltin tasavirtalähteeseen.

Helpottavat näytön sijoittamista.

Muistutus: Kahvoja ei ole tarkoitettu näytön koko painon kannattamiseen

Kiinnittävät kaapelin suojuksen alaosan näyttöön.

Nauhat helpottavat kaapelin hallintaa.

Kiinnittävät kaapelin suojuksen näyttöön. Ruuvit kiristetään ja löysennetään sormin.

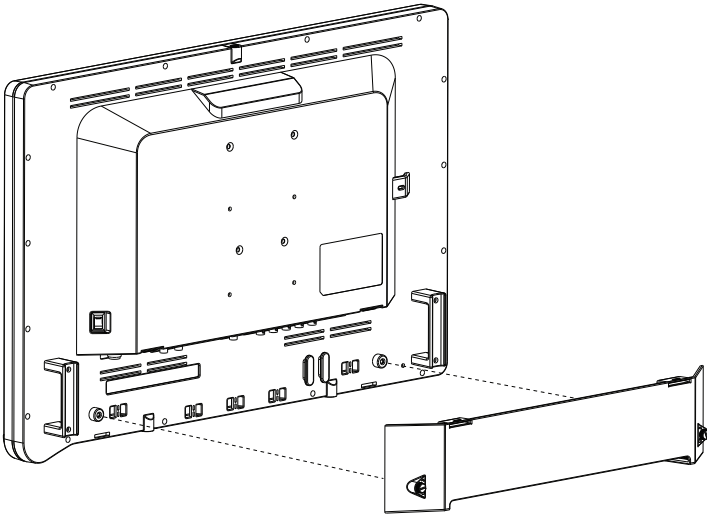
Suojaa ja peittää kaapeleita.

Kiinnittävät kaapelin suojuksen yläosan näyttöön.

Pidike kaapelien kietomiseen.

Lukitusmekanismi tai kaapeli voidaan reitittää tätä kautta turvallisuussyistä.

Kaapelin suojus



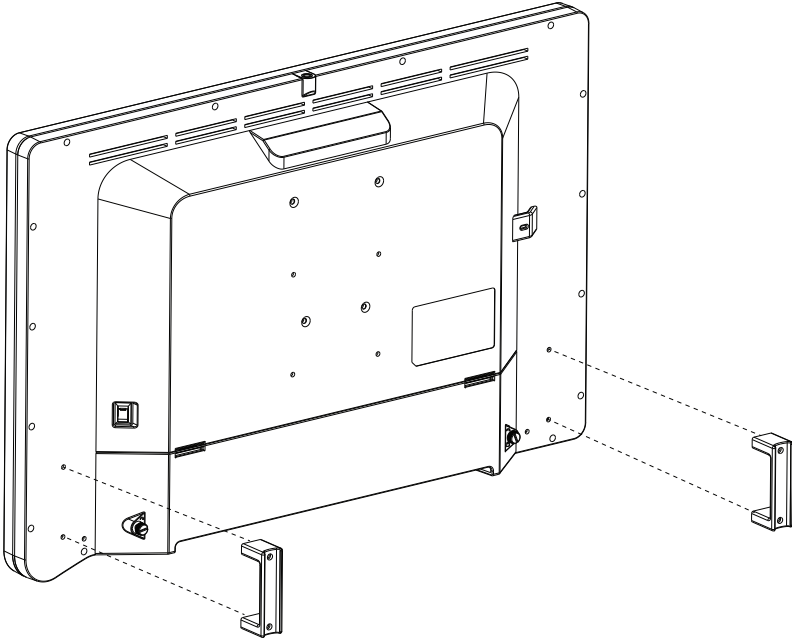
Kaapelin suojuksen asennus

1. Kohdista kaapelin suojuksen vasen ja oikea pidike näytön takaosan alalaitaan.
2. Kiinnitä kaapelin suojuksen yläosa kohdistuspidikkeisiin.
3. Kiristä kaapelin suojusta ja lukitse se näyttöön kääntämällä siipiruuveja sormillasi myötäpäivään.

Kaapelin suojuksen irrotus

1. Löysää siipiruuveja kiertämällä niitä sormillasi vastapäivään.
2. Kun siipiruuvit on irrotettu, purista vasenta ja oikeaa pidikettä ja vedä kaapelin suojusta itseäsi kohti.
3. Irrota kaapelin suojus vasemmasta ja oikeasta pidikkeestä.

Näytön kahvat



Muistutus: Kahvojen tarkoituksena on helpottaa näytön sijoittamista eikä toimia nostokahvoina. Kahvoista ei saa nostaa näytön koko painoa.

Näytön kahvojen irrotus

1. Löysennä kaksi M4 x 30 mm:n ruuvia 3 mm:n kuusiokoloavaimella ja vedä kahva varovasti irti näytöstä.

Näytön kahvojen asennus

1. Kohdista kahva näytön takana oleviin ruuvireikiin.
2. Kiinnitä kahva asentamalla kaksi M4 x 30 mm:n ruuvia 3 mm:n kuusiokoloavaimella.

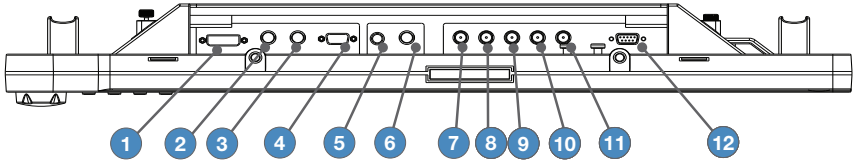
Asennus

Stryker Endoscopy katsoo ohjatun koulutuksen tai käyttökoulutuksen olevan tärkeä osa tätä laitetta. Stryker Endoscopyn paikallinen myyntiedustaja järjestää ainakin yhden käyttökoulutustilaisuuden käyttäjälle sopivana aikana. Koulutuksen tarkoituksena on laitteen asentamisen sekä laitteen käytön ja huollon opettaminen käyttäjälle ja henkilökunnalle. Kun laite on saapunut, ota yhteys paikalliseen Stryker Endoscopyn myyntiedustajaan ja sovi käyttökoulutuksen ajankohta.

Liitännät

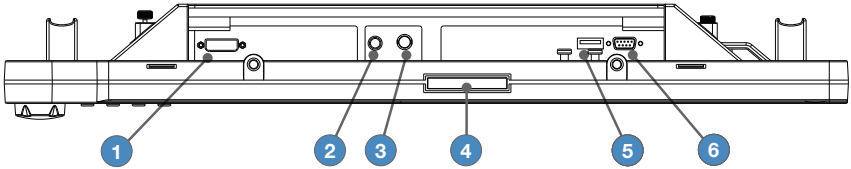
VisionPro 26" -LED-näytön liitännät

Videon tulo- ja lähtösignaalit kytketään näytön takaosaan alla olevan kuvan mukaisesti:



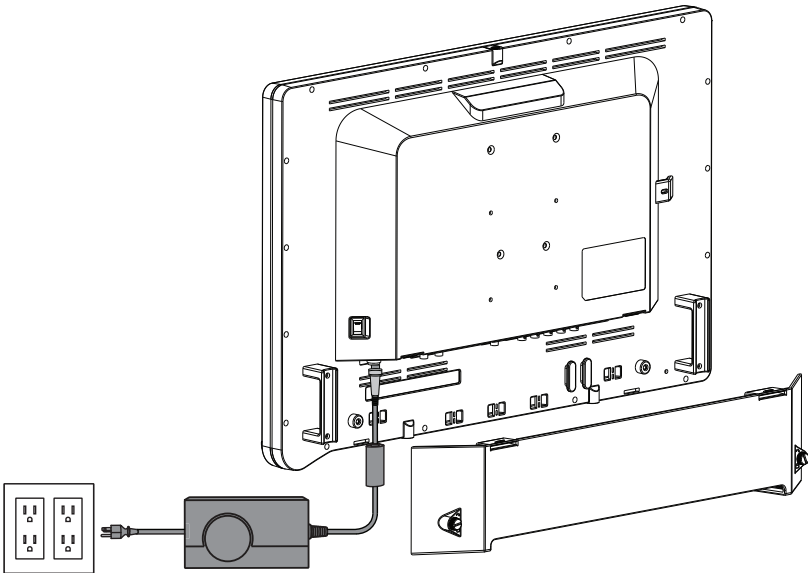
- | | |
|--------------------------|--------------------|
| 1. DVI | 7. R/Pr |
| 2. 3G/HD/SD SDI-tulo | 8. G/Y |
| 3. 3G/HD/SD SDI-lähtö | 9. B/Pb |
| 4. VGA | 10. H-synkronointi |
| 5. S-video | 11. V-synkronointi |
| 6. C-video/SOG | 12. RS232 |

Langattoman VisionPro SYNK 26" -LED-näytön liitännät



- | | |
|----------------|--------------------------|
| 1. DVI | 4. Lisälaitteen liitäntä |
| 2. S-video | 5. USB |
| 3. C-video/SOG | 6. RS232 |

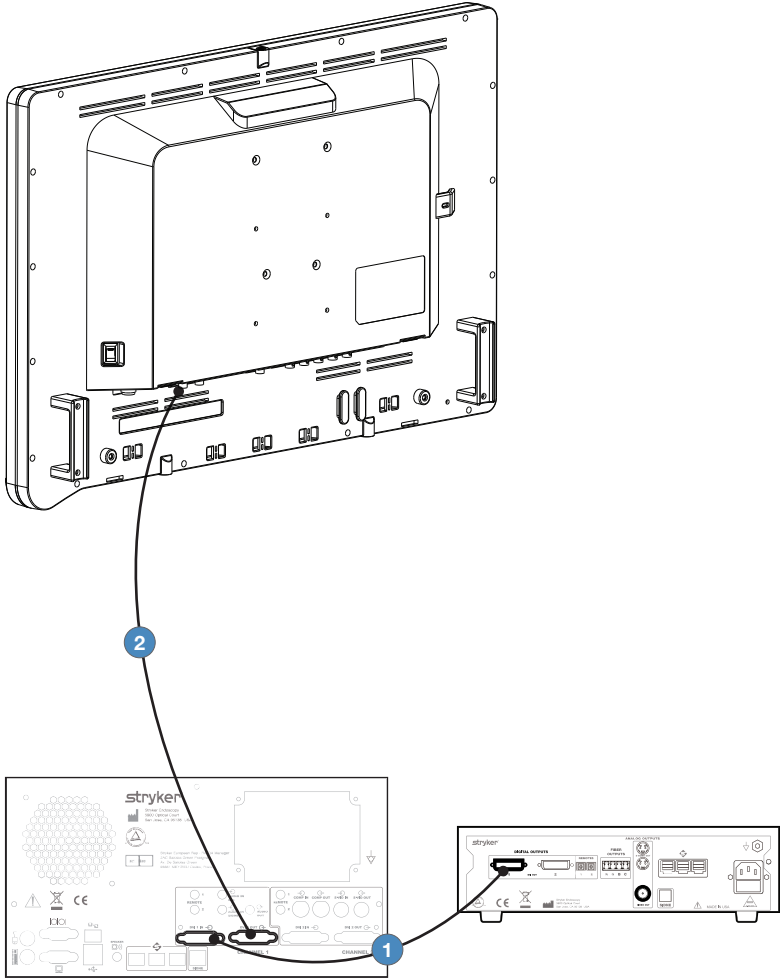
Virtalähteen kytkeminen



1. Kytke virtalähde näytön 24 voltin sisääntuloon.
2. Liitä verkkovirtajohto virtalähteeseen*.
3. Liitä laite verkkovirtaan käyttämällä toimitettua, sairaalaluokitettua virtajohtoa.
4. (Valinnainen, ei näkyvissä) Liitä virtalähde näyttöön jatkojohdolla.
5. Asenna kaapelin suojus.

*Virtalähdetiedot: Mallinumero: BPM150S24F11, Valmistaja: Bridgepower Corp.

Videon perusasennus



1. Reititä videolähtö 1 kamerasta SDC DVI -tulloon.
2. Reititä videolähtö 1 SDC DVI -lähdöstä näytön DVI-tulloon.

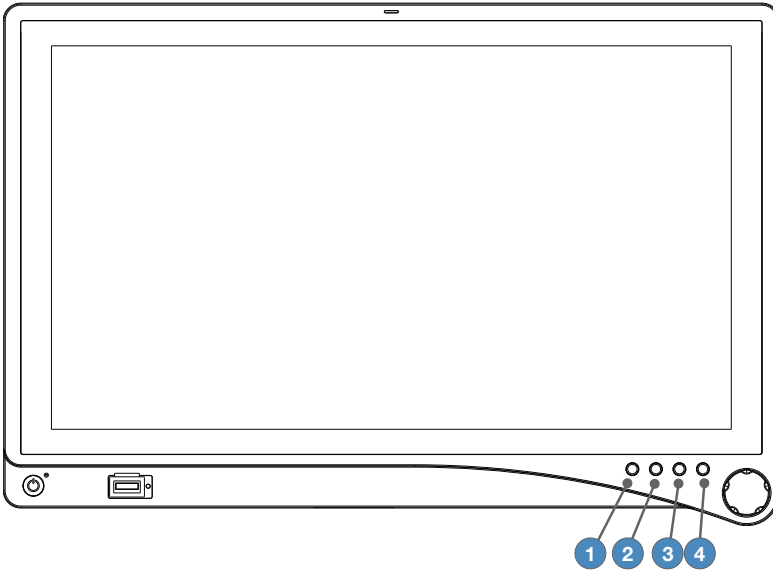
Huomautus: Stryker suosittelee varaliitintää kameraan.

Käyttö

Käytä näyttöä etupaneelin kiertosäätimen ja neljän painikkeen avulla. Seuraavassa on luettelo näytön näppäimistä ja niiden toiminnoista.

Valikkonäyttö

Valikkonäytön näyttö



Etupaneelin neljän painikkeen käyttäminen:

1. **Audio/PIP (Langaton VisionPro SYNK 26" -LED-näyttö):**
 - Aktivoi kuvatila (Kuva kuvassa, Kuvat vierekkäin, Kuva kuvan päällä) painamalla painiketta kaksi kertaa.
2. **PIP (VisionPro 26" -LED-näyttö):**
 - Aktivoi kuvatila (Kuva kuvassa, Kuvat vierekkäin, Kuva kuvan päällä) painamalla painiketta kerran.
3. **Kirkkaus:** Aktivoi Kirkkauden säätö -valikon.
4. **Erikoissovellus:** Aktivoi Erikoissovelluksen säätö -valikon.
5. **Tulo:** Aktivoi Tulon valinta -valikon.

Kun näyttövalikot on aktivoitu, siirry niissä käyttämällä kiertosäädintä:

- **Paina:** avaa/valitsee valikkonäytön.
- **Käännä oikealle/vasemmalle:** kun valikkonäyttö on aktivoitu, kääntäminen kasvattaa/pienentää valitun parametrin arvoa.
- **Paina ja pidä pohjassa:** sulkee valikkonäytön.

Valikkonäytön käyttö

Laitteen valikkonäytön avulla voit selata laitteen valikkoja.

1. Aktivoi valikkonäyttö painamalla **kiertosäädintä**.
2. Liiku valikossa ylös tai alas kiertämällä **kiertosäädintä**.
Valittu parametri korostetaan.
3. Siirry seuraavalle valikkotasolle painamalla **kiertosäädintä**.
4. Suurena tai pienennä valitun parametrin arvoa tai valitse jokin toinen vaihtoehto kiertämällä **kiertosäädintä**.
5. Valitse Exit (Sulje), jos haluat poistua toisen tai kolmannen tason valikosta. Sulje valikkonäyttö kokonaan pitämällä **kiertosäädin** painettuna. Jos painikkeita ei paineta, valikkonäyttö sulkeutuu automaattisesti tehtaalla ennalta määritetyn ajan kuluttua (aikaa voidaan muuttaa).

Valikkonäytön valikot

Specialty (Erikoissovellus)

| Valikkokohta | Kuvaus | Alue |
|--|---|---------------------|
| Color Temperature (Väriämpötila)* | Valitsee väriämpötilan: Lap A, Lap B, Arthro A (Artroskopia A), Arthro B (Artroskopia B), Standard (Vakio), PACS, NORM, ENT, GYN. | — |
| Red (Punainen) | Punatasapaino | -128–127 |
| Green (Vihreä) | Vihertasapaino | -128–127 |
| Blue (Sininen) | Sinitasapaino | -128–127 |
| Gamma | Gamma-arvo | 0,1–2,5, S0, S1, S2 |

* Väriämpötilan RGB-säätö on käytettävissä vain Standard-, Arth- ja Lap-asetusten kanssa. PACS- ja NORM-mukautukset ovat käytettävissä vain, kun tulona on SOG.

Audio (valikko ei ole käytössä)

Brightness Settings (Kirkkausasetukset)

| Valikkokohta | Kuvaus | Alue |
|--|---|-------|
| Brightness (Kirkkaus) | Lisää tai vähentää kuvan kirkkautta. | 0–100 |
| Contrast (Kontrasti) | Lisää tai vähentää kuvan kontrastia. | 0–100 |
| Phase (Vaihe)** | Lisää tai vähentää vaihetasoa. | 0–100 |
| Chroma (Täyteläisyys)** | Lisää tai vähentää täyteläisyytensä. | 0–100 |
| Image Sharpness (Kuvan terävyys) | Asettaa kuvan terävyyden. | 1–10 |
| Video Sharpness (Videon terävyys)** | Lisää tai vähentää videokuvan terävyyttä. | 0–100 |

** Vain, kun videotulona on SDI, S tai C.

Image Effect (Kuvatehoste)

| Valikkokohta | Kuvaus |
|--------------------------------------|--|
| Scale Mode (Mittakaava) | Valitsee mittakaavaksi Täytä kaikki, V-täyttö, H-täyttö, Yksi yhteen tai Täytä sivun mukaan. |
| Freeze Frame (Kuvan pysäytys) | Ottaa kuvan pysäytyksen käyttöön tai poistaa sen käytöstä. |
| PIP (Kuva kuvassa) | Ottaa käyttöön PIP (picture in picture (Kuva kuvassa)) -toiminnon. |

| Valikkokohta | Kuvaus |
|--------------------------------|---|
| POP (Kuva kuvan päällä) | Ottaa käyttöön POP (picture on picture (Kuva kuvan päällä)) -toiminnon. |
| PBP (Kuvat vierekkäin) | Ottaa käyttöön PBP (picture by picture (Kuvat vierekkäin)) -toiminnon. |

Advanced Settings (Lisäasetukset)

| Valikkokohta | Kuvaus |
|--|---|
| Key Lock (Näppäinlukko) | Näppäinlukko päällä: poistaa kaikki näppäintoiminnot käytöstä. Poista näppäinlukko pitämällä kiertosäädintä painettuna. |
| Auto Source Select (Lähteen automaattinen valinta) | Skannaa tuloja, kunnes aktiivinen videolähde havaitaan. Toiminto on poissa käytöstä PIP-/POP-/PBP-tiloissa. |
| Sleep Timer (Lepotila-ajastin) | On (Päällä): näyttö siirtyy lepotilaan, jos aktiivista videolähdettä ei havaita. |
| | Off (Pois): näyttö ei siirry lepotilaan. |
| | Timer (Ajastin): Aseta aika, jonka jälkeen näyttö siirtyy lepotilaan, jos aktiivista videolähdettä ei havaita. |
| OSD Control (Valikkonäytön säätäminen) | Säätää valikkonäytön paikkaa, taustaa ja aikakatkaisua. |
| Restore Factory Settings (Tehdasasetusten palautus) | Palauttaa tehdasasetukset. |
| Screen Control (Näytön ohjaus) | VGA <ul style="list-style-type: none"> • Vaakataso • Pystytaso • Vaihe • Taajuus |
| | S-video, C-video, SOG, RGBs, komponentti <ul style="list-style-type: none"> • Vaakataso • Pystytaso |

SYNK (Langaton VisionPro SYNK 26" -LED-näyttö)

| Tila | Kuvaus |
|--|---------------|
| RX APP: XX.XX.XX RX MAC: XX.XX.XX.XX | Vastaanotin |
| TX APP: XX.XX.XX TX MAC: XX.XX.XX.XX | Lähetin |
| WiFi SW: XXX-X.XX SIGNAALI = Erittäin hyvä, Hyvä, Heikko Oletusalue: XXX FREQ (TAAJUUS): XXXX MHz | Lähetin |

Information (Tiedot)

| Valikkokohta | Kuvaus |
|---|--|
| User Name Entry (Käyttäjätunnuksen syöttö) | Syötä käyttäjätunnus, joka näkyy käynnistysnäytössä. |
| Serial Number (Sarjanumero) | Näyttää laitteen sarjanumeron. |
| Runtime (Käyttöaika) | Näyttää laitteen käyttöajan. |
| Input Format (Tulon muoto) | Näyttää nykyisen tulon muodon. |

Huomaus: Todellinen näyttöarvo voi vaihdella laiteohjelmiston päivitysten ja käyttäjäasetusten mukaan.

Vianetsintä

Tutustu seuraavaan vianetsintätaulukkoon, ennen kuin toimitat näytön huoltoon:

| Ongelma | Nykyinen tila | Korjaus |
|---|--|--|
| Ei kuvaa | Virran merkkivalo päällä | Säädä valikonäytön avulla kirkkaus ja kontrasti maksimiarvoihin tai palauta niiden oletusarvot. |
| | Virran merkkivalo pois päältä | Varmista, että näytön edessä ja takana olevat virtakytkimet ovat ON-asennossa. |
| | | Tarkista, että verkkovirtajohto on liitetty oikein verkkolaitteeseen. |
| | Tarkista, että virtalähde on kytketty kunnolla ja toimii oikein. | |
| Virran merkkivalo vilkkuu | Punainen | Näyttö on lepotilassa. Herätä näyttö painamalla mitä tahansa näppäintä. |
| | Oranssi | Virtalähteen jännite saattaa olla liian suuri tai liian pieni. |
| Epänormaali kuva | Liian suuri tai pieni näyttö, puuttuva video tai keskikohdan siirtymä. | Valitse Näytön ohjaus -valikko ja korjaa näytössä näkyvä kuva muuttamalla asetuksia kohdissa Vaihe, Taajuus, Vaaka ja Pysty. |
| | | Säädä Mittakaava -kohdan asetuksia. |
| | | Vain VGA-tulo: synkronoi videosityttö pitämällä kiertosäädintä painettuna 1–2 sekunnin ajan. |
| | | Odota muutama sekunti videosignaalien ensimmäisen synkronoinnin jälkeen tai katkaise näytöstä virta ja kytke se takaisin. |
| Valikonäytön virheilmoitus | "Out of Range" (Alueen ulkopuolella) | Varmista, että järjestelmään on liitetty hyväksytty videolähde. |
| Tunnistekortin merkkivalo vilkkuu oranssina | Virhe | Ota yhteys huoltoedustajaan. |

Puhdistus ja huolto



Varoitus

Irrota näyttö ja virtalähde pistorasiasta ennen puhdistamista, jotta voit välttää sähköiskun ja mahdollisesti hengenvaarallisen vamman.

Muistutus

- Älä suihkuta puhdistusnestettä suoraan näyttöön tai virtalähteeseen, sillä tämä voi vaurioittaa tuotetta. Suihkuta puhdistusnestettä liinaan, ennen kuin pyyhit laitteen.
- Älä upota näyttöä tai virtalähdettä nesteeseen, sillä se saattaa vaurioittaa laitetta.
- Älä käytä näytön tai virtalähteen puhdistamiseen syövyttäviä puhdistusaineliukuksia, sillä ne saattavat vaurioittaa tuotetta.
- Älä steriloï näyttöä tai virtalähdettä. Steriloiminen voi vaurioittaa laitetta.

Puhdistus

Näytön tai virtalähteen puhdistaminen:

1. Jos näytön suojus on paikallaan, irrota se ennen puhdistusta.
2. **SYNK (Langatan VisionPro SYNK 26" -LED-näyttö)**: aseta tunnisteikorttipaikan suojus paikalleen ennen puhdistusta.
3. Levitä normaalia desinfiointiainetta tai mietoa puhdistusainetta kuivaan, steriiliin liinaan.
4. Pyyhi näyttö tai virtalähde.
5. Ole erityisen varovainen, kun puhdistat näyttöä. Jos näytön alaosaan tai virtalähteeseen pääsee liikaa nestettä tai nestepisaroiia, seurauksena saattaa olla laitevaurio.

Tarkastus

Tarkasta tuote aina ennen käyttöä. Katso tämän asiakirjan kohta Vianetsintä, jos huomaat minkä tahansa seuraavista ongelmista. Jos tuotteen toimintakyky on yhä heikko, lopeta sen käyttö ja ota yhteys Stryker-edustajaan.

- Ei kuvaa, epänormaali kuva tai ei-hyväksyttävä kuvanlaatu.
- Virran kytkeminen ei onnistu.
- Painike ja/tai nappi toimii väärin tai ei lainkaan.
- Näytön tai lisävarusteiden merkittävät fyysiset vauriot, kuten näytön kelpaamaton selkeys, vaurioituneet suojapäälysteet, korroosio, epänormaalit äänet, kaapelien repeämät, paljaana olevat kytkennät ja/tai vauriot, jotka estävät turvallisen kiinnitysliitännän.
- Virran merkkivalo vilkkuu oranssina.

Odotettu käyttöikä

Laitteen ja sen lisävarusteiden käyttöikään vaikuttavat erityisesti kuluminen, puhdistusmenetelmät ja käytöstä aiheutuvat vauriot. Jotta huoltoväli on mahdollisimman pitkä, noudata aina tässä käyttöoppaassa ja laitteen lisävarusteiden käyttöoppaassa annettuja hoito- ja käsittelyohjeita.

Hävittäminen



Euroopan unionin sähkö- ja elektroniikkalaiteromua koskevan direktiivin 2012/19/EU ja siihen tehtyjen muutosten mukaan tuote ja sen lisävarusteet on kerättävä erikseen kierrätettäväksi. Niitä ei saa hävittää sekajätteen mukana. Hävittämistä koskevat tiedot saat paikalliselta jälleenmyyjältä. Varmista, että saastunut laite puhdistetaan tämän käyttöoppaan Puhdistus-kohdan ja lisävarusteiden käyttöoppaan mukaisesti ennen kierrätystä.

Hävitä järjestelmän lisävarusteet laitoksen mahdollisesti kontaminoituja tuotteita koskevan tavanomaisen käytännön mukaan.

Haittatapahtumista ilmoittaminen

Tähän laitteeseen liittyvät vakavat haittatapahtumat pitää ilmoittaa Strykerille ja Euroopan unionin toimivaltaiselle viranomaiselle siinä jäsenvaltiossa, jossa asiaan liittyvä henkilö asuu.

Tekniset tiedot

Näyttö

| | |
|---|--|
| LCD-näyttöpaneeli | 26" (661 mm), viisto (a-Si TFT -aktiivimatriisinesitekidenäyttö) |
| Synkronointi | 2,5–5,0 Vpp:n erillinen synkronointi |
| Pikselikoko | 0,300 (V) x 0,300 (P) mm |
| Vasteaika | < 18 ms Typ |
| Katsomiskulma | Oikea/vasen/ylös/alas 89 astetta |
| Näyttövärit | 1 miljardi väriä (10-bittinen) |
| Alkuperäinen tarkkuus | 1 920 (V) pistettä x 1 080 (P) viivaa |
| VisionPro 26" -LED-näytön signaalit | DVI, VGA, 3G/HD/SD-SDI (tulo/lähtö), C-video/SOG, S-video, komponentti/RGBs (Y/G, Pb/B, Pr/R, HS, VS), RS232 |
| Langattoman VisionPro SYNK 26" -LED-näytön signaalit | Langaton digitaalinen RGB, DVI, S-video, C-video/SOG, RS232 ja USB |
| Maksimipikselikello | 165 MHz |

Sähkö tiedot

| | |
|--------------------------------------|--|
| Verkkolaite | Tulo: 100–240 V AC; 50–60 Hz; 2,5 A (2,5A - 1,5A) Lähtö: 24 V DC; 6,25 A (150 W maks.) Mallinumero: BPM150S24F11 |
| Virrankulutus (likimääräinen) | 35–65 W |

Virta-/jänniteluokitus

Varmista, että virtajohto vastaa paikallisia määräyksiä ja standardeja.

| | |
|----------------------------------|--|
| 110V +/- 10V -pistorasiat | Valitse virtajohto, joka täyttää seuraavat vaatimukset: UL-hyväksyntä, C.S.A.-sertifioitu, tyyppi SJT tai SVT, 3-johtiminen, koko 18 AWG, kiinteä sairaalaluokitettu liitin, luokitus 110 V +/- 10 V (15 A) ja pituus vähintään 1,8 metriä. |
| 220V +/- 20V -pistorasiat | Valitse virtajohto, joka täyttää seuraavat vaatimukset: kansainvälisesti harmonisoitu, "<HAR>"-merkintä, 3-johtiminen, vähintään 0,75 mm ² , luokitus 220 V +/- 20 V (10 A) ja eristetty PVC-kuorella. Johdossa on oltava kiinteä liitin, jonka luokitus on 220 V +/- 20 V (10 A). Johdon ja liittimen on sovellettava lääketieteelliseen käyttöön. |

Ulkomitat

| | |
|----------------------------------|-----------------------|
| Mitat (L x K x S) | 660,4 x 442 x 86,4 mm |
| Paino (likimääräinen) | 8,3 kg |
| VESA- asennusliittymä | VESA 100 x 100 mm |

Käyttöolosuhteet

| | |
|--|----------|
| Lämpötila | 10–40 °C |
| Suhteellisen kosteuden alue | 25–75 % |

Kuljetus- ja säilytysolosuhteet

| | |
|--|-----------|
| Lämpötila | -18–60 °C |
| Suhteellisen kosteuden alue | 15–90 % |

Luokitukset ja hyväksynät

Luokan 1 laite

Lääketieteellinen laite, joka vastaa standardien UL 60601-1 ja CAN/CSA C22.2 No. 601.1 vaatimuksia sähköiskun, palovaaran ja mekaanisten vaarojen suhteen.

IP23: Estetty sormien ja vastaavien kohteiden pääsy vaarallisiin osiin, suojaus vesiroiskeita vastaan (alle 60 astetta pystysuunnasta).

Jatkuva käyttö

Yhteensopivuus

FCC:n säännökset

VisionPro 26" -LED-näyttö:

FCC osa 15, luokka B

FCC-tunnus: QVXAMM261WTDS

Langaton VisionPro SYNK 26" -LED-näyttö:

FCC osa 15, luokka B

FCC-tunnus: QVXAMM261WTDSW

FCC osa 15, luokka C

FCC-tunnus: SSH-SYNKRX (vastaanotinlevy)

FCC-tunnus: SSH-SDMAN (lisävarustelevy)

IC:n säännökset

Langaton VisionPro SYNK 26" -LED-näyttö:

IC: 4919C-SYNKRX (vastaanotinlevy)

IC: 4919C-SDMAN (lisävarustelevy)

Huomaus: Muutoksista ja uusista tuotteista saat tietoja paikalliselta Stryker Endoscopy -myyntiedustajalta.

Sähkömagneettinen yhteensopivuus

Kuten muutkin sähkötoimiset lääketieteelliset laitteet, myös VisionPro 26" -LED-näyttö ja langaton VisionPro SYNK 26" -LED-näyttö edellyttävät käyttäjiltä tiettyjä varoituksia, joilla varmistetaan laitteen sähkömagneettinen yhteensopivuus muiden sähkötoimisten lääketieteellisten laitteiden kanssa. Näyttöä tulee käyttää ja se tulee asentaa tämän oppaan SMY-ohjeiden mukaisesti, jotta sen sähkömagneettinen yhteensopivuus (SMY) voitaisiin varmistaa. Näyttö on suunniteltu ja testattu täyttämään standardin IEC 60601-1-2 vaatimukset sähkömagneettisesta yhteensopivuudesta muiden laitteiden kanssa.

Huomautus: Tämä laite on tarkoitettu käytettäväksi ammattimaisessa terveydenhuoltoympäristössä. Sitä ei ole tarkoitettu käytettäväksi radiotaajuussuojatussa huoneessa, joka sisältää lääkinnällisen magneettikuvausjärjestelmän ja jossa sähkömagneettiset häiriöt ovat voimakkaita.

Huomautus: Suurtaajuuksisten kirurgisten instrumenttien aiheuttamat häiriöt eivät todennäköisesti vaikuta tähän laitteeseen erityisessä käyttöympäristössä, jossa laite on lähellä aktiivisia suurtaajuuksisia kirurgisia instrumentteja. Jos suurtaajuuksisten kirurgisten instrumenttien havaitaan aiheuttavan häiriöitä, muuta laitteiden välistä etäisyyttä.



Varoitus

Kun tätä laitetta käytetään muiden sähköisten laitteiden kanssa, vuotovirrat voivat kumuloitua. Varmista, että kaikki järjestelmät on asennettu standardin IEC 60601-1-1 vaatimusten mukaisesti, jotta potilaan vuotovirta voidaan minimoida.

Muistutus

Kannettavat ja radiotaajuudella toimivat tietoliikennelaitteet saattavat häiritä näytön normaalia toimintaa. Älä käytä muita kuin näytön mukana toimitettuja kaapeleita tai varusteita. Muunlaisten kaapeleiden tai varusteiden käyttö saattaa lisätä laitteen sähkömagneettista säteilyä tai saattaa heikentää laitteen kykyä kestää muiden laitteiden sähkömagneettista säteilyä. Mikäli näyttö on sijoitettu muiden laitteiden kanssa vierekkäin tai samaan pinoon, tarkkaile näyttöä ja varmista sen oikea toiminta ennen kirurgisia toimenpiteitä siinä kokoonpanossa, jossa sitä tullaan käyttämään. Alla olevissa taulukoissa on neuvoja näytön sijoittamiseen.


| Ohjeet ja valmistajan vakuutus: sähkömagneettinen säteily | | |
|---|----------------|--|
| VisionPro 26" -LED-näyttö ja langaton VisionPro SYNK 26" -LED-näyttö on tarkoitettu käyttöön alla määritellyssä sähkömagneettisessa toimintaympäristössä. Asiakkaan tai näytön käyttäjän tulee varmistaa, että laitetta käytetään tällaisessa toimintaympäristössä. | | |
| Säteilytesti | Yhteensopivuus | Sähkömagneettinen toimintaympäristö: ohjeet |
| Radiotaajuussäteily CISPR 11 | Ryhmä 1 | Kosketusnäytössä radiotaajuusenergiaa käytetään vain sisäisiin toimintoihin. Näin ollen laitteen radiotaajuussäteilyntaso on erittäin vähäinen, ja on epätodennäköistä, että se häittäisi lähistöllä sijaitsevia muita laitteita. |
| Radiotaajuussäteily CISPR 11 | Luokka B | Näytöt sopivat käyttöön kaikissa laitoksissa, lukuun ottamatta kotitalouksia ja laitoksia, jotka on liitetty suoraan kotitalouskäyttöön sähköä toimittavaan julkiseen pienjänniteverkkoon, jos seuraava varoitus otetaan huomioon. |
| Harmoniset päästöt IEC 61000-3-2 | Luokka D | Varoitus: Tämä järjestelmä on tarkoitettu vain terveydenhuollon ammattilaisten käyttöön. Järjestelmä voi aiheuttaa radiotaajuisia häiriöitä tai häitää muiden lähellä olevien laitteiden toimintaa. Lisätoimet voivat olla tarpeen. Tällaisia lisätoimia voivat olla esimerkiksi järjestelmän sijoittaminen tai suuntaaminen uudelleen tai käyttöpaikan suojaaminen. |
| Jännitteenvaihtelut/välkyntä IEC 61000-3-3 | Yhteensopiva | |

| Ohjeet ja valmistajan ilmoitukset: sähkömagneettinen häiriönsietokyky | | | |
|---|--|--|---|
| VisionPro 26" -LED-näyttö ja langaton VisionPro SYNK 26" -LED-näyttö on tarkoitettu käyttöön alla määritellyssä sähkömagneettisessa toimintaympäristössä. Asiakkaan tai näytön käyttäjän tulee varmistaa, että laitetta käytetään tällaisessa toimintaympäristössä. | | | |
| Häiriönsietotesti | IEC 60601 -testitaso | Yhteensopivuustaso | Sähkömagneettinen toimintaympäristö – ohjeet |
| Sähköstaattinen purkaus (ESD) IEC 61000-4-2 | ±8 kV – kontakti ±15 kV – ilma | ±8 kV – kontakti ±15 kV – ilma | Lattiamateriaalina on oltava puu, betoni tai keramiikkalaatta. Jos lattiat on pinnoitettu synteettisellä materiaalilla, ilman suhteellisen kosteuden on oltava vähintään 30 %. |
| EFT-transientti/purske IEC 61000-4-4 | ±2 kV – virtajohdot ±1 kV – tulo-/lähtöjohdot (jos sovellettavissa) | ±2 kV – maadoituslinja ±1 kV – linjasta linjaan (jos sovellettavissa) | Sähköverkon sähkölaadun on oltava tavallisen kaupallisen verkon tai sairaalaverkon tasoista. |
| Ylijänniteaalto IEC 61000-4-5 | ±1 kV – differentiaalimuoto ±2 kV – yhteissignaali | ±1 kV – differentiaalimuoto ±2 kV – yhteissignaali | Sähköverkon sähkölaadun on oltava tavallisen kaupallisen verkon tai sairaalaverkon tasoista. |
| Jännitelaskut, lyhyet keskeytykset ja jännitteenvaihtelut virtajohdoissa IEC 61000-4-11 | 0 % U_T :stä 0,5 jakson ajan 0 % U_T :stä 1 jakson ajan 70 % U_T :stä 25 jakson ajan 0 % U_T :stä 5 sekunnin ajan | 0 % U_T :stä 0,5 jakson ajan 0 % U_T :stä 1 jakson ajan 70 % U_T :stä 25 jakson ajan 0 % U_T :stä 5 sekunnin ajan | Sähköverkon sähkölaadun on oltava tavallisen kaupallisen verkon tai sairaalaverkon tasoista. Mikäli lähettimen käyttäjän tulee voida käyttää laitetta jatkuvasti sähköverkon häiriöiden aikana, on suositeltavaa, että langattomalle lähettimelle syötetään virta erillisestä, häiriöttömästä sähköverkosta tai akusta. |
| Sähkövirran taajuuden (50/60 Hz) magneettikenttä IEC 61000-4-8 | 30 A/m | 30 A/m | Sähkövirran taajuuden magneettikentän tason on oltava tavallisen kaupallisen verkon tai sairaalasähköverkon tasolla. |
| Huomautus: U_T on verkkovirran verkkojännite ennen testitason käyttämistä. | | | |

Ohjeet ja valmistajan vakuutus: sähkömagneettinen häiriönsieto

VisionPro 26" -LED-näyttö ja langaton VisionPro SYNK 26" -LED-näyttö on tarkoitettu käyttöön alla määritellyssä sähkömagneettisessa toimintaympäristössä.

Asiakkaan tai näytön käyttäjän tulee varmistaa, että laitetta käytetään tällaisessa toimintaympäristössä.

| Häiriönsietotesti | IEC 60601 -testitaso | Yhteensopivuustaso | Sähkömagneettinen toimintaympäristö – ohjeet |
|---|----------------------------|--------------------|--|
| Johdettu radiotaajuus IEC 61000-4-6 | 3 Vrms 150 kHz – 80 MHz | 3 V | Kannettavia ja radiotaajuudella toimivia tietoliikennelaitteita ei tule käyttää yhtään lähempänä kosketusnäyttöä (mukaan lukien sen kaapelit), kuin etäisyydellä, joka on laskettavissa lähettimen taajuudelle soveltuvasta kaavasta. Suositellut etäisyydet: $d = 2/\sqrt{P}$ 80 MHz – 2,7 GHz Kaavassa P on lähettimen suurin lähetysteho watteina (W) lähettimen valmistajan antamien tietojen mukaan ja d on suositeltu etäisyys metreinä (m). Sähkömagneettisella tilan tutkimuksella (a) määritettävien kiinteiden radiotaajuuksilähettimien kenttävoimakkuuksien on oltava pienempiä kuin kunkin taajuusalueen (b) yhteensopivuustaso. Häiriöt ovat mahdollisia, kun lähistolilla on laitteita, jotka on merkitty seuraavalla symbolilla:  |
| Säteilevä radiotaajuus IEC 61000-4-3 | 10 V/m 80 MHz – 2,7 GHz | 10 V/m | |

(a) Kiinteiden lähettimien, kuten erilaisten tukiasemien aiheuttamia kenttävoimakkuuksia ei voida ennustaa teoriassakaan tarkasti. Tällaisia lähettimiä ovat radiopuhelimien (matkapuhelimien / johdottomien puhelimien) ja matkaviestimien, amatööriradioasemien sekä AM-/FM-radiolähetysten ja TV-lähetysten tukiasemat. Kiinteiden radiotaajuuksilähettimien tuottaman sähkömagneettisen ympäristön arvioimiseksi on harkittava tilan sähkömagneettista tutkimusta. Jos VisionPro 26" -LED-näytön tai langattoman VisionPro SYNK 26" -LED-näytön käyttöpaikan mitattu kenttävoimakkuus ylittää mainitun radiotaajuusyhteensopivuustason, näyttöä ja lähetintä on tarkkailtava normaalin toiminnan varmistamiseksi. Jos epänormaalia toimintaa havaitaan, lisätoimet voivat olla tarpeen. Tällaisiin lisätoimiin voi kuulua esimerkiksi näytön sijoittaminen tai suuntaaminen uudelleen.

(b) Kun taajuusalue on 150 kHz–80 MHz, kenttävoimakkuuden on oltava alle 3 V/m.

| Testaustiedot – radiotaajuudella toimivien langattomien viestintälaitteiden aiheuttamien häiriöiden sieto | | | | | | |
|---|-------------------|---|--|------------------|--------------|------------------------------|
| Testitaajuus (MHz) | Taajuusalue (MHz) | Huolto | Modulaatio | Enimmäisteho (W) | Etäisyys (m) | Häiriönsieto-testitaso (V/m) |
| 385 | 380 - 390 | TETRA 400 | Pulssi-modulaatio 18 Hz | 1,8 | 0,3 | 27 |
| 450 | 430 - 470 | GMRS 460, FRS 460 | FM ± 5 kHz poikkeama 1 kHz sini | 2 | 0,3 | 28 |
| 710 | 704 - 787 | LTE- taajuusalue 13, 17 | Pulssi- modulaatio 217 Hz | 0,2 | 0,3 | 9 |
| 745 | | | | | | |
| 780 | | | | | | |
| 810 | 800 - 960 | GSM 800/900, TETRA 800, iDEN 820, CDMA 850, LTE- taajuusalue 5 | Pulssi- modulaatio 18 Hz | 2 | 0,3 | 28 |
| 870 | | | | | | |
| 930 | | | | | | |
| 1720 | 1700 - 1990 | GSM 1800; CDMA 1900; GSM 1900; DECT; LTE- taajuusalue 1, 3 4, 25; UMTS | Pulssi- modulaatio 217 Hz | 2 | 0,3 | 28 |
| 1845 | | | | | | |
| 1970 | | | | | | |
| 2450 | 2400 - 2570 | Bluetooth, WLAN, 802.11 b/g/n, RFID 2450, LTE- taajuusalue 7 | Pulssi- modulaatio 217 Hz | 2 | 0,3 | 28 |
| 5240 | 5100 - 5800 | WLAN 802.11 a/n | Pulssi- modulaatio 217 Hz | 0,2 | 0,3 | 9 |
| 5500 | | | | | | |
| 5785 | | | | | | |
| Huomautus: Kannettavia radiotaajuisia viestintälaitteita ei saa käyttää lähempänä kuin 30 cm:n etäisyydellä VisionPro 26" -LED-näytöstä ja langattomasta VisionPro SYNK 26" -LED-näytöstä. Muutoin seurauksena voi olla tämän laitteen tehon heikkeneminen. | | | | | | |
| Stryker vakuuttaa, että langaton VisionPro SYNK 26" -LED-näyttö täyttää direktiivin 1999/5/EY oleelliset vaatimukset ja muut asianmukaiset määräykset. Yhdenmukaisuusvakuutuksen kopion voi tilata osoitteesta Stryker Endoscopy, 5900 Optical Court, San Jose, CA, 95138, USA. | | | | | | |

Symbolit ja määritelmät

Seuraavia symboleja käytetään tuotteessa, sen merkinnöissä tai pakkauksessa. Kullakin symbolilla on oma merkityksensä, joka kuvataan alla:



Katso lisätietoja käyttöohjeesta



Huomio: Katso käyttöohjeita



Sarjanumero



Määrä



Lämpötila



Kosteus



Valtuutettu edustaja
Euroopassa



Valmistusmaa



Luettelonumero



Tasavirta



Valmistuspäivämäärä



Lallinen valmistaja



Täyttää testatusti FCC:n
luokan B ja C standardien
vaatimukset



Langaton lähetyk



Yhdysvaltain liittovaltion lain
mukaan tämän laitteen saa
myydä ainoastaan lääkäri tai
lääkärin määräyksestä



Laite täyttää Euroopan unionin
lääkintälaitevaatimukset



Laitteen kierrätyskoodi (koskee
Kiinaa)



Kiinassa pakollinen
sertifointimerkintä

IP23

Kotelo suojaa seuraavilta:

- sormien ja vastaavien kohteiden pääsy vaarallisiin osiin
- vesiroiskeet (alle 60 astetta pystysuunnasta)



Australian lakisäätösten vaatimusten mukainen



Lääketieteellinen laite vastaa standardien AAMI ES 60601-1 ja CSA C22.2
No. 60601-1-08-CAN/CSA vaatimuksia sähköiskun, palovaaran ja mekaanisten
vaarojen suhteen



Tuote sisältää sähköromua tai elektroniikkalaitteita. Sitä ei saa hävittää
sekajätteen kanssa vaan se on kerättävä erikseen.



Lääkinnällinen laite Euroopan unionissa

Innholdsfortegnelse

| | |
|--|---------------|
| Advarsler og forholdsregler | NO-287 |
| Om enheten | NO-290 |
| Beregnet bruk og indikasjoner for bruk..... | NO-291 |
| Kontraindikasjoner | NO-291 |
| Pakkens innhold | NO-292 |
| Utstyrets funksjoner..... | NO-293 |
| Oppsett..... | NO-298 |
| Tilkoblinger | NO-298 |
| Grunnleggende videooppsett | NO-300 |
| Bruk | NO-301 |
| Skjermvisning (OSD) | NO-301 |
| OSD-menyer | NO-303 |
| Feilsøking | NO-306 |
| Rengjøring og vedlikehold | NO-307 |
| Tekniske spesifikasjoner | NO-309 |
| Elektromagnetisk kompatibilitet | NO-311 |
| Symboler og symbolforklaringer | NO-314 |

Advarsler og forholdsregler

Les denne håndboken, og følg instruksjonene nøye. Ordene advarsel, forholdsregel og merknad har spesielle betydninger og må vies spesiell oppmerksomhet:

Advarsel: Angir tiltak for å unngå potensiell alvorlig skade på brukeren og pasienten.

Forholdsregel: Betyr risiko for utstyret. Dersom forholdsreglene ikke følges, kan produktet bli skadet.

Merknad: Gir spesiell informasjon for å avklare instruksjoner eller presentere nyttig tilleggsinformasjon.

Advarsler

Legg merke til følgende advarsler for å unngå potensiell alvorlig skade på brukeren og pasienten:

1. Les denne håndboken nøye, og bli kjent med innholdet før enheten tas i bruk.
2. Ifølge amerikansk lovgivning kan dette utstyret kun selges til eller bestilles av leger.
3. Pakk innretningen forsiktig ut og kontroller at det ikke har oppstått skader under forsendelsen.
4. Denne enheten er steril og derfor skal den ikke plasseres i det sterile området.
5. Verken enheten eller andre tunge gjenstander skal plasseres på strømkabelen. Skade på kabelen kan forårsake brann eller elektrisk støt.
6. Unngå å fjerne dekslene slik at elektrisk støt unngås.
7. Du må ikke bruke enheten i nærheten av andre enheter eller stable den sammen med andre enheter. Hvis stabling eller slik plassering er nødvendig, skal du påse at enheten fungerer normalt i den valgte konfigurasjonen.
8. Test denne innretningen før et kirurgisk inngrep. Dette produktet ble testet grundig på fabrikken før det ble sendt ut.
9. Ikke gjør forsøk på å gjøre indre reparasjoner eller justeringer som ikke er nærmere beskrevet i denne håndboken. Påse at omjusteringer, modifikasjoner og/eller reparasjoner utføres av personer som er autorisert av Stryker Endoscopy.
10. Ikke sett gjenstander inn i panelet. Dersom dette skjer, skal enheten kobles fra strømmen og kontrolleres av kvalifisert personale før den tas i bruk igjen.
11. Vær særlig påpasselig med å forhindre kontakt med væske dersom enheten brukes med strømforsyning i et pasientmiljø.
12. Bruk av andre kabler og/eller andre tilbehør enn de som er spesifisert her, kan føre til økte utslipp eller redusert immunitet for enheten.

Forholdsregler

1. Koble enheten til en AC-adapter som er tilkoblet en strømledning av sykehustype, og sikre at strømledningen er koblet til et jordet strømuttak for å være sikker på pålitelig jording.
2. Ikke steriliser enheten, da den ømfintlige elektronikken ikke tåler denne prosedyren.
3. Bruk kun leverandørens egen strømforsyningsledning til den kirurgiske skjermen. Sørg for at koblingen mellom strømledningen og skjøteledningen er godt festet.
4. Enheten må ikke brukes rett etter at den har blitt transportert fra et kaldt sted til et varmt sted.

5. Dersom enheten skal tilkobles en internasjonal strømforsyning, må det benyttes en plugg som er tilpasset veggkontakten, slik som skissert i avsnittet "Tekniske spesifikasjoner" i denne håndboken.
6. Enheten må kobles fra strømmen hvis den ikke skal brukes over et lengre tidsrom. Ledningen kobles fra ved å dra ut støpselet. Dra aldri i selve ledningen.
7. Enheten skal ikke utsettes for fuktighet eller behandles med rengjøringsvæske direkte på skjermen. Rengjøringsoppløsning kan sprøytes på en myk klut som deretter kan brukes til å tørke forsiktig. Se avsnittet "Rengjøring og vedlikehold" i denne håndboken hvis du vil ha mer informasjon.
8. Sørg for tilstrekkelig luftsirkulering for å forhindre intern varmeoppbygging. Enheten skal ikke plasseres på overflater (tepper, pledd e.l.) eller i nærheten av materialer (gardiner osv.) som kan blokkere ventilasjonshullene. Enheten kjøles ved naturlig luftstrøm og har ingen vifte.
9. Pasienten må ikke berøres med kontaktene for signalinngang eller -utgang. Utstyr med SIP/SOP-kontakter bør enten være i samsvar med de harmoniserte nasjonale standardene IEC 60601-1 og/eller IEC 60601-1-1, eller kombinasjonen bør evalueres med hensyn til sikkerheten.
10. Se avsnittet om "Elektromagnetisk samsvar" i denne brukerhåndboken for å sikre elektromagnetisk samsvar. VisionPro 26" LED-skjerm (0240-031-020) og VisionPro SYNK 26" trådløs LED-skjerm (0240-031-000) må installeres og betjenes i henhold til EMC-informasjonen i denne håndboken.
11. Vær spesielt oppmerksom på rengjøringsanvisningene i denne håndboken. Avvik kan forårsake skade.
12. Enheten må ikke monteres i sollys eller der det er mye støv, mekaniske vibrasjoner eller rystelser.
13. Enheten må ikke plasseres på en måte som gjør det vanskelig å koble strømledningen fra nettstrømmen.
14. Enheten må ikke brukes med skjermens glassdisplay vendt ned.
15. Enheten må håndteres med varsomhet. Skjermen må ikke slås eller skrapes opp.
16. Endringer eller modifikasjoner som ikke er uttrykkelig godkjent av de som er ansvarlig for samsvarsvurdering, vil kunne gjøre brukerens godkjenning til bruk av enheten ugyldig.

17. **Merknad:** Denne enheten har vært testet og funnet å overholde grensen for digitalt utstyr i klasse B, i henhold til del 15 i FCC-reglene. Disse grenseverdiene er fastsatt for å gi rimelig beskyttelse mot skadelige forstyrrelser i en installasjon som er typisk i et boligområde. Denne enheten genererer, bruker og kan utstråle energi i radiofrekvensområdet. Hvis det ikke monteres og brukes i samsvar med anvisningene kan det forårsake skadelige forstyrrelser for radiokommunikasjon. Det er ingen garanti for at forstyrrelsene ikke vil inntreffe i en spesiell installasjon, noe som kan bestemmes ved at enheten slås av og deretter på igjen. Brukeren oppfordres til å forsøke å korrigere forstyrrelsene ved hjelp av en eller flere av følgende tiltak:
- Snu på eller flytte mottakerenheten.
 - Øke avstanden mellom enhetene.
 - Koble enheten til et strømuttak i en annen krets enn den de(n) andre enheten(e) er tilkoblet.
 - Produsenten eller den lokale serviceteknikeren kan rådføres for hjelp.

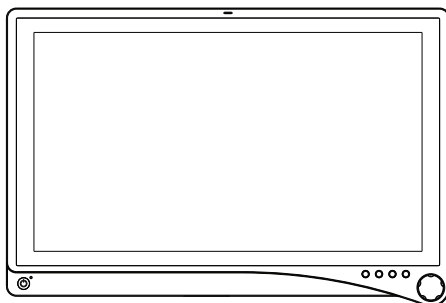
Garantien er ugyldig dersom det ikke tas hensyn til disse advarslene eller forholdsreglene.

Dette produktet inneholder elektrisk avfall eller elektronisk utstyr. Det skal ikke kastes som usortert husholdningsavfall, men samles inn separat.

Om enheten

VisionPro 26" LED-skjerm

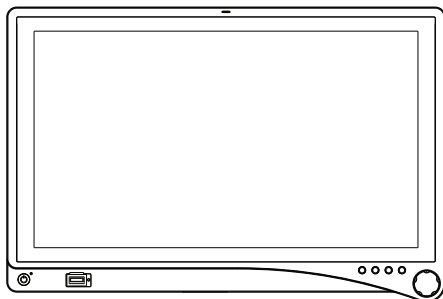
REF: 0240-031-020



VisionPro 26" LED-skjermen er en kirurgisk skjerm i bredformat som kan støtte en maksimal oppløsning på WUXGA (1920 x 1200). Skjermen støtter følgende videoinnganger: digital RGB, analog RGB, SDI (serielt digitalt grensesnitt), komponentvideo (YPbPr/RGBS), S-video og C-video/SOG. Det støtter også seriell kommunikasjon via RS232-porten.

VisionPro SYNK 26" trådløs LED-skjerm

REF: 0240-031-000



VisionPro SYNK 26" trådløs LED-skjerm kan brukes sammen med SYNK-senderen (tilleggsutstyr, 0240-031-010 eller 0240-031-011), som gjør det mulig å motta et høyoppløselig videosignal via en radiofrekvenslink.

Skjermen støtter følgende videoinnganger: DVI, S-Video og C-Video/SOG. Når den trådløse funksjonaliteten er aktivert, støtter skjermen en trådløs digital RGB-videoinngang. Skjermen støtter også en USB-port og seriell kommunikasjon via RS232-porten.

Merknad: Den trådløse funksjonaliteten til VisionPro SYNK 26" trådløs LED-skjerm kan bare aktiveres via SYNK-senderen.

Detaljer og instruksjoner om bruk av SYNK trådløs sender og den trådløse funksjonaliteten til VisionPro SYNK 26" trådløs LED-skjerm finner du i systemhåndboken til SYNK trådløs sender (P21693).

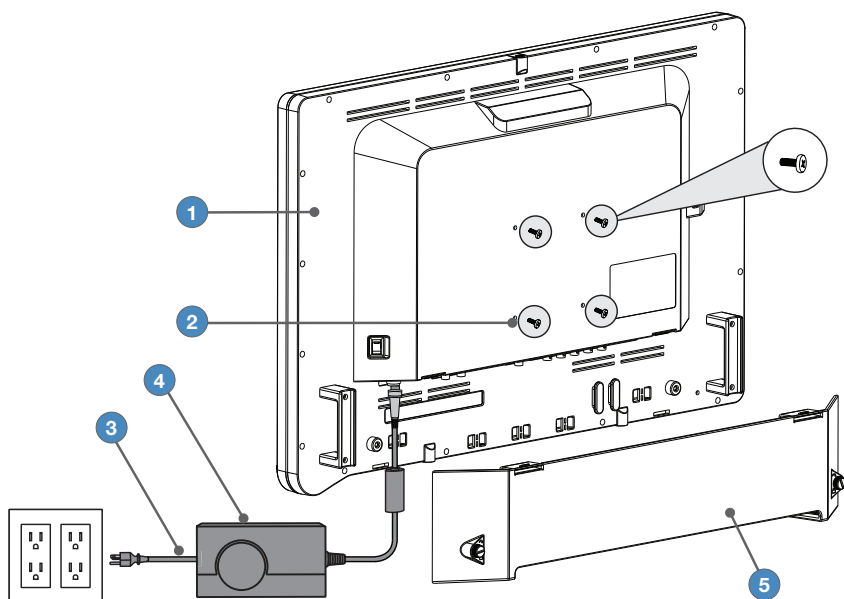
Beregnet bruk og indikasjoner for bruk

VisionPro SYNK 26" trådløst LED-display og VisionPro 26" LED-display er beregnet for videovisning under kirurgiske prosedyrer, inkludert artroskopi (ortopedisk kirurgi), laparoskopi (generell og gynekologisk kirurgi), torakoskopi, endoskopi (generell, gastroenterologisk og ØNH-kirurgi) og generell kirurgi. Displayet er et ikke-sterilt apparat til flergangsbruk som ikke er beregnet for bruk i det sterile feltet. Displayet er beregnet til bruk av kvalifiserte leger som har fullstendig kunnskap om slike kirurgiske prosedyrer.

Kontraindikasjoner

Det finnes ingen kjente kontraindikasjoner for denne enheten.

Pakkens innhold



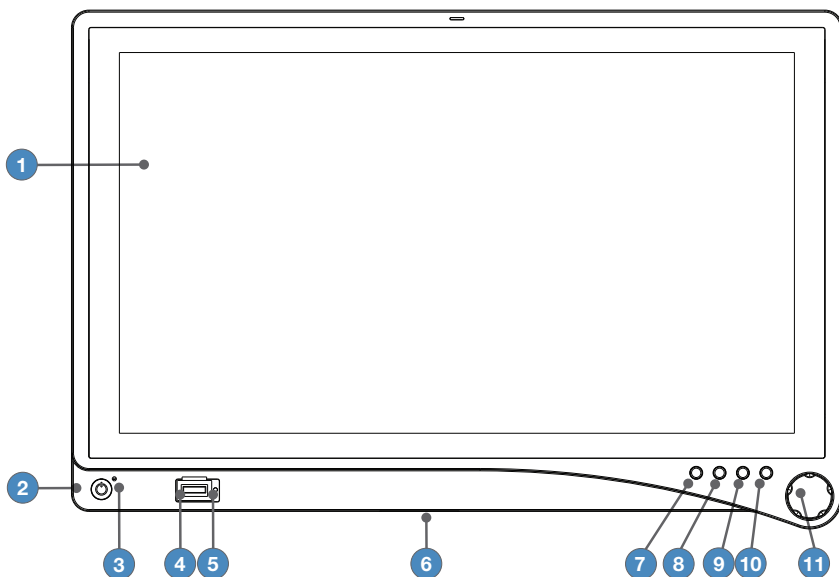
| Referanse | Delenummer | Pakkens innhold |
|-----------|------------------------------|---|
| 1 | 0240-031-020 0240-031-000 | VisionPro 26" LED-skjerm eller VisionPro SYNK 26" trådløs LED-skjerm |
| 2 | – | (4) M4 x 16 mm VESA-skruer |
| 3 | – | Vekselstrømskabel i sykehuskvalitet |
| 4 | 0240-031-004 | Strømforsyning av medisinsk kvalitet |
| 5 | – | Kabeldeksel |

| Delenummer | Valgfritt tilbehør |
|--------------|--|
| 0240-031-002 | Skjermdeksel for VisionPro 26" |
| 0240-031-004 | Strømforsyning av medisinsk kvalitet |
| 0240-031-010 | SYNK trådløs sender |
| 0240-030-951 | 4,5 m (5-stifts) skjøteledning (likestrøm) |
| 0240-030-952 | 23 m (5-stifts) skjøteledning (likestrøm) |

Utstyrets funksjoner

Frontpanel

Skjermen betjenes ved hjelp av dreieknappen på frontpanelet. En liste over skjermens kontrollknapper og deres funksjoner finnes nedenfor.



- | | |
|---|---|
| 1. Visnings skjerm | Viser videobilde. |
| 2. Strømbryter (myk) | Slår skjermen PÅ og AV. |
| 3. Strøm-LED | Angir aktuell status. Grønn – skjermen er slått på eller er i skjermsparemodus. Blinkende rød – display er i hvilemodus. |
| 4. Pollettåpning (kun VisionPro SYNK 26” trådløs LED-skjerm) | Blinkende gult – over- eller underspenning. Polletinnsettingssted som brukes til å opprette en trådløs tilkobling med senderen. |
| 5. Pollett-LED (kun VisionPro SYNK 26” trådløs LED-skjerm) | Grønn – kobling er opprettet. Gul – initialiserer. |
| 6. Andre tilkoblingsmuligheter | Blinkende gult – feil, kontakt servicerepresentanten. Støtter andre tilkoblingsmuligheter. |

7. Audio/PIP

VisionPro 26" LED-skjerm:

Åpner justeringsmenyen for PIP (bilde i bilde).

VisionPro SYNK 26" trådløs LED-skjerm:

Trykk to ganger for å åpne justeringsmenyen for PIP (bilde i bilde).

Merknad: Audiofunksjonaliteten er ikke aktivert nå.

8. Lysstyrke

Åpner justeringsmenyen for lysstyrke.

9. Spesialitet

Åpner justeringsmenyen for spesialitet.

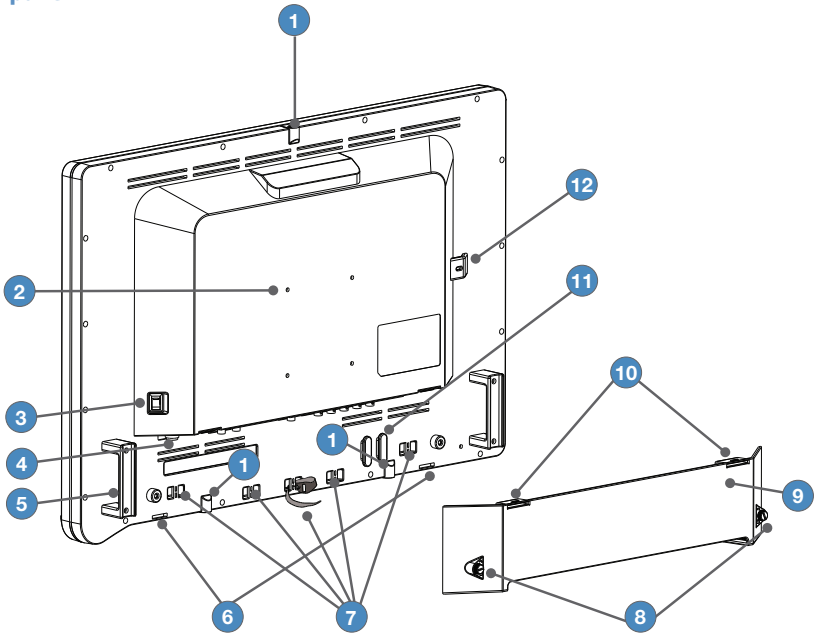
10. Inngang

Åpner menyen for valg av inngang.

11. Dreieknapp

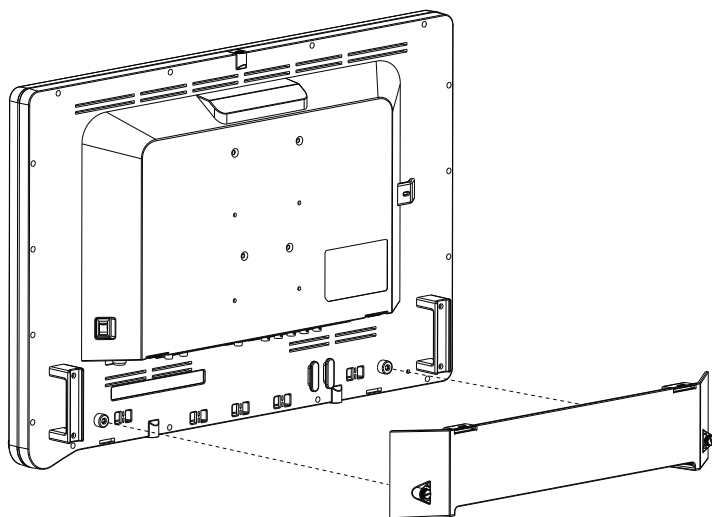
Åpner skjermvisningen og navigerer gjennom funksjonene.

Bakpanel



- 1. Tilbehørsfester (3)**
Gir tilgang til feste av valgfritt tilbehør.
- 2. VESA-festehull**
Gir tilgangspunkter for montering av skjermen.
- 3. Strømbryter (hard)**
Slår inngangstrømmen PÅ og AV.
- 4. Strømkobling**
Kobler til 24 V vekselstrømforsyning.
- 5. Håndtak**
Hjelper til ved posisjonering av skjermen.
Forholdsregel: Håndtakene er ikke beregnet for å holde hele vekten av skjermen.
- 6. Kabeldekselhengsler**
Fest bunnen av kabeldekslet til skjermen.
- 7. Borrelåsstropper**
Stropper som hjelper til ved håndtering av kabler.
- 8. Tommeskruer for kabeldeksel**
Fest kabeldekslet til skjermen, og stram eller løsne med fingrene.
- 9. Kabeldeksel**
Dekker over og skjuler kabler.
- 10. Klemmer for kabeldeksel**
Fest toppen av kabeldekslet til skjermen.
- 11. Kabelinnpakning**
Sted der kabler kan pakkes inn.
- 12. Låsefunksjon**
En låsemekanisme eller kabel kan ledes hit av sikkerhetsårsaker.

Kabeldeksel



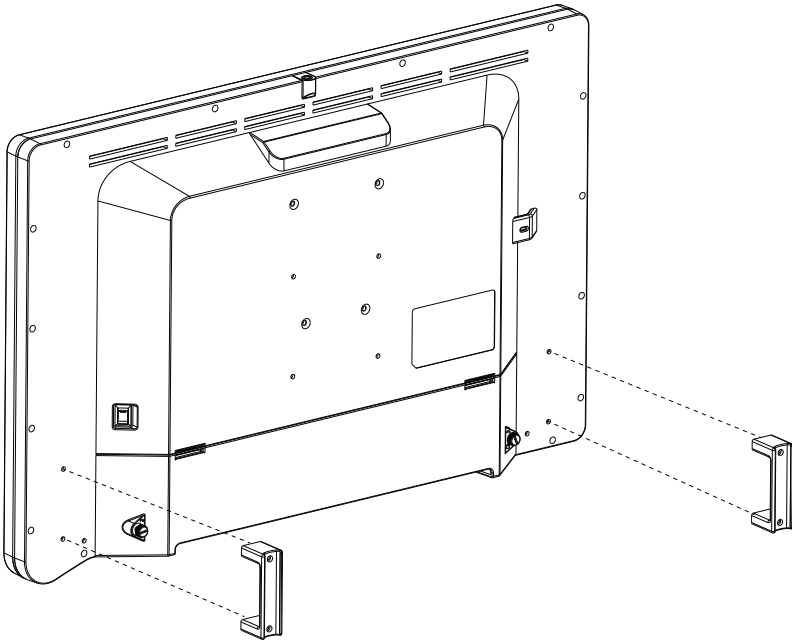
Installere kabeldekslet

1. Innrett venstre og høyre hengsler på kabeldekslet nederst på baksiden av skjermen.
2. Klem på toppdelen av kabeldekslet for innjusteringsklemmene.
3. Bruk fingrene til å vri tommeskruene med klokken for å stramme og låse kabeldekslet på skjermen.

Ta av kabeldekslet

1. Bruk fingrene til å vri tommeskruene mot klokken for å løsne dem.
2. Når tommeskruene er helt løsnet, skal venstre og høyre klemmer klemmes sammen. Trekk kabeldekslet mot deg.
3. Ta kabeldekslet av venstre og høyre hengsler.

Skjermhåndtak



Forholdsregel: Håndtakene er beregnet for å hjelpe til i posisjoneringen av skjermen, ikke for å transportere det. Håndtakene skal ikke holde hele vekten av skjermen.

Ta skjermhåndtakene av

1. Løsne de to M4 x 30 mm-skrueene ved hjelp av en sekskantnøkkel på 3 mm, og trekk håndtaket forsiktig vekk fra skjermen.

Ta skjermhåndtakene på

1. Rett inn håndtakene mot skruehullene på baksiden av skjermen.
2. Installer de to M4 x 30 mm-skrueene ved hjelp av en sekskantnøkkel på 3 mm for å feste håndtaket.

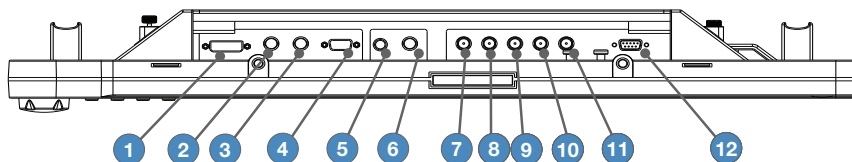
Oppsett

Stryker Endoscopy regner instruksjonsopplæring, eller opplæring under servicebesøk, for å være en integrert del av denne enheten. Den lokale salgsrepresentanten for Stryker Endoscopy gjennomfører minst én opplæring under servicebesøk på et passende tidspunkt, for å sette opp enheten og for å gi deg og dine ansatte instruksjoner om betjening og vedlikehold. Ta kontakt med den lokale representanten for Stryker Endoscopy for å gjøre avtale om servicebesøk etter at enheten er ankommet.

Tilkoblinger

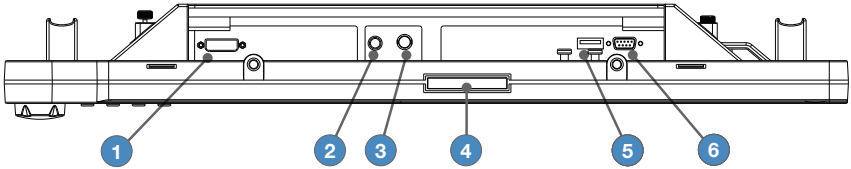
Tilkoblingsporter for VisionPro 26" LED-skjerm

Videoinn- og utgangssignaler kobles til på baksiden av skjermen, slik som vist nedenfor:



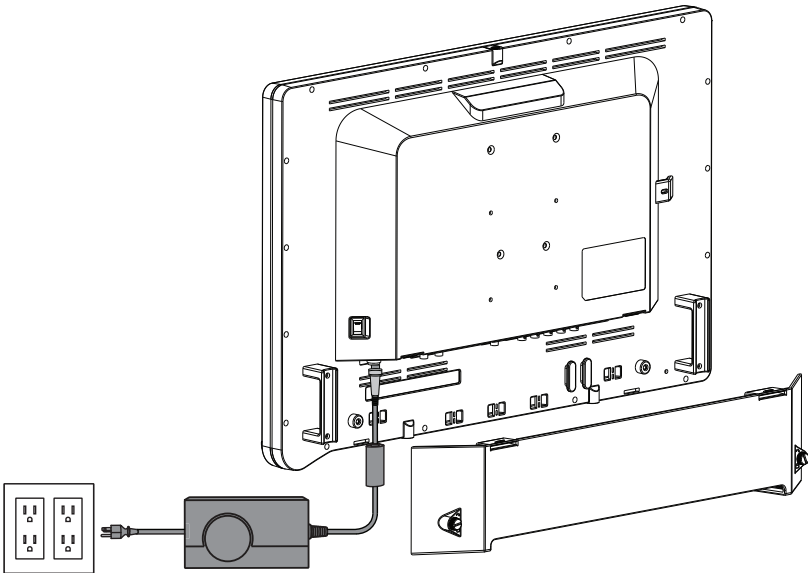
- | | |
|------------------------|------------|
| 1. DVI | 7. R/Pr |
| 2. 3G/HD/SD SDI-inn | 8. G/Y |
| 3. 3G/HD/SD SDI-ut | 9. B/Pb |
| 4. VGA | 10. H-sync |
| 5. S-Video | 11. V-sync |
| 6. C-Video/SOG | 12. RS232 |

Tilkoblingsporter for VisionPro SYNK 26" trådløs LED-skjerm



- | | |
|----------------|--------------------------------|
| 1. DVI | 4. Andre tilkoblingsmuligheter |
| 2. S-Video | 5. USB |
| 3. C-Video/SOG | 6. RS232 |

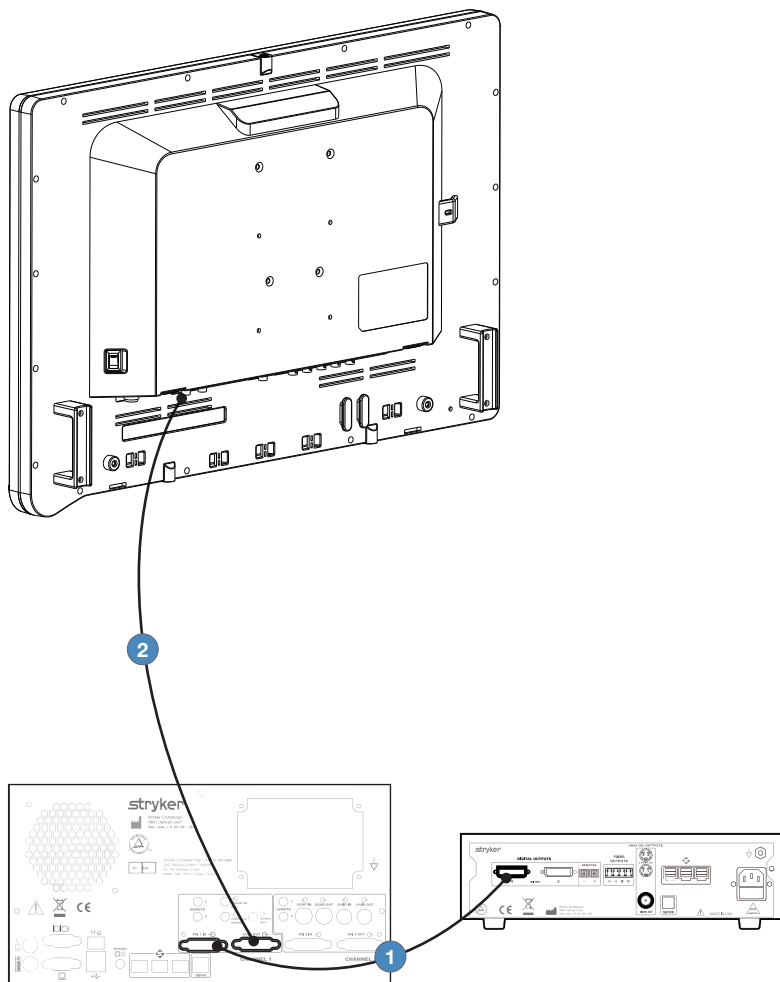
Koble til strømforsyningen



1. Koble strømforsyningen til 24 V-inngangen på skjermen.
2. Koble vekselstrømkabelen til strømforsyningen*.
3. Koble til vekselstrømmen ved bruk av den medfølgende strømkabelen av sykehuskvalitet.
4. (Ekstraustyr, ikke vist) Koble en skjøteledning mellom strømforsyningen og skjermen.
5. Monter kabeldekelet.

* Strømforsyningsinformasjon: Modellnummer: BPM150S24F11, produsent: Bridgepower Corp.

Grunnleggende videooppsett



1. Legg videooutput 1 fra kameraet til SDC DVI-inngangen.
2. Legg videooutput 1 fra SDC DVI-utgangen til DVI-inngangen på skjermen.

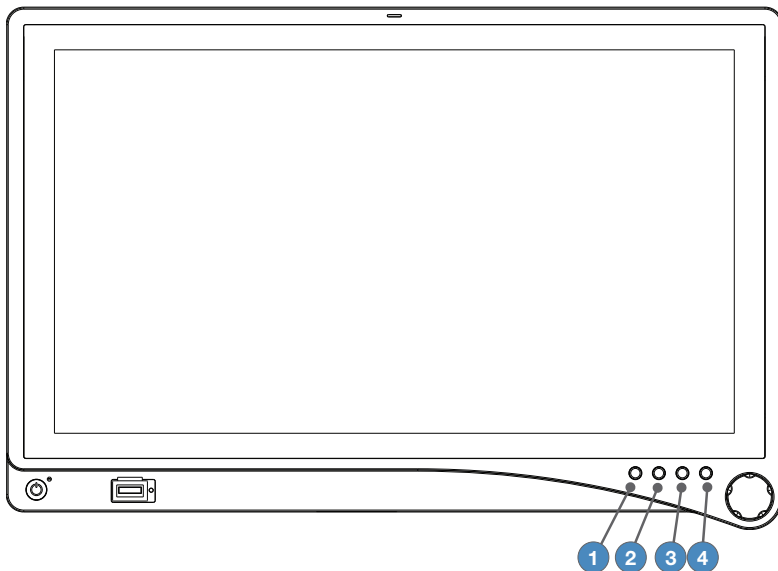
Merknad: Stryker anbefaler en reservetilkobling til kameraet.

Bruk

Skjermen betjenes ved hjelp av dreieknappen og fire knapper på frontpanelet. En liste over skjermens kontrollknapper og deres funksjoner finnes nedenfor.

Skjermvisning (OSD)

Få tilgang til skjermvisningen



Bruke de fire frontpanelknappene:

1. **Audio/PIP (VisionPro SYNK 26" trådløs LED-skjerm):**
 - Trykk to ganger for å aktivere bildemodus (bilde i bilde, bilde etter bilde, bilde på bilde)
2. **PIP (VisionPro 26" LED-skjerm):**
 - Trykk for å aktivere bildemodus (bilde i bilde, bilde etter bilde, bilde på bilde)
3. **Lysstyrke:** Aktiverer justeringsmenyen for lysstyrke.
4. **Spesialitet:** Aktiverer justeringsmenyen for spesialitet.
5. **Inngang:** Aktiverer menyen for valg av inngang.

Bruk dreieknappen til å navigere gjennom menyene på skjermen når de er aktivert:

- **Skyv** – Gir tilgang til / velger skjermmenyen.
- **Drei til høyre/venstre** – Med skjermmenyen aktivert vil verdien av den valgte parameteren økes/redueres.
- **Trykk og hold** – Går ut av skjermmenyen.

Bruke skjermvisningen

Enhetens skjermvisning hjelper deg med å navigere gjennom forskjellige menyer på enheten.

1. Trykk inn **dreieknappen** for å gå til skjermmenyen.
2. Vri på **dreieknappen** for å gå opp eller ned i menyen.
Parametrene utheves når de er valgt.
3. Trykk inn **dreieknappen** for å gå til neste nivå i OSD.
4. Vri **dreieknappen** for å øke eller redusere verdien på den parameteren som er valgt eller for å velge andre muligheter.
5. Velg Exit (Avslutt) for å gå ut av skjermmenyen OSD fra andre eller tredje nivå på skjermmenyen. **Dreieknappen** må trykkes inn og holdes inne for å gå helt ut av OSD.
Hvis ingen knapper trykkes inn, vil OSD avsluttes automatisk etter den fabrikkinnstilte forhåndsbestemte tiden (tiden kan tilpasses).

OSD-menyer

Speciality (spesialitet)

| Menyelement | Beskrivelse | Verdiområde |
|--|---|-----------------------|
| Color Temperature* (fargetemperatur) | Velger mellom fargetemperaturer for Lap A, Lap B, Arthro A, Arthro B, Standard, PACS, NORM, ENT, GYN. | — |
| Red (rød) | Rødbalanse | -128 – 127 |
| Green (grønn) | Grønnbalanse | -128 – 127 |
| Blue (blå) | Blåbalanse | -128 – 127 |
| Gamma | Gammaverdi | 0,1 – 2,5, S0, S1, S2 |

* Fargetemperaturens RGB-justering er kun tilgjengelig for innstillingene Standard, Arth og Lap. PACS- og Norm-justeringer er kun tilgjengelige for SOG-inngang.

Audio (menyen er ikke aktivert nå)

Brightness Settings (lysstyrkeinnstillinger)

| Menyelement | Beskrivelse | Verdiområde |
|--|--|-------------|
| Brightness (lysstyrke) | Øker eller reduserer lysstyrken | 0 – 100 |
| Contrast (kontrast) | Øker eller reduserer kontrasten | 0 – 100 |
| Phase (fase)** | Øker eller reduserer fasenivået | 0 – 100 |
| Chroma (fargemetning)** | Øker eller reduserer fargemetningsnivået | 0 – 100 |
| Image Sharpness (bildeskarpheit) | Stiller inn bildeskarpheiten | 1 – 10 |
| Video Sharpness (videoskarpheit)** | Øker eller reduserer videoskarpheiten | 0 – 100 |

** Kun tilgjengelig for SDI-, S- eller C-videoinngang.

Image Effect (bildevirkning)

| Menyelement | Beskrivelse |
|--|--|
| Scale Mode (skaleringsmodus) | Velg skaleringsmodus blant Fill All, V-fill, H-fill, én-til-én, eller juster i henhold til fylleaspektet |
| Freeze Frame (stillbilde) | Aktiverer eller deaktiverer stillbilde |
| PIP | Aktiverer PIP-funksjonen (picture in picture – bilde i bilde) |
| POP | Aktiverer POP-funksjonen (picture on picture – bilde på bilde) |
| PBP | Aktiverer PBP-funksjonen (picture by picture – bilde etter bilde) |

Advanced Settings (avanserte innstillinger)

| Menyelement | Beskrivelse |
|--|--|
| Key Lock (tastelås) | Tastelås på: Deaktiverer alle tastefunksjoner Trykk på og hold dreieknappen nede for å slå av tastelåsen. |
| Auto Source Select (automatisk kildevalg) | Skanner innganger til en aktiv videokilde blir oppdaget. Automatisk kildevalg er deaktivert i PIP/POP/PBP-modus |
| Sleep Timer (hviletidsur) | On (på): Skjermen går inn i hvilemodus hvis det ikke oppdages noen aktiv videokilde. |
| | Off (av): Skjermen vil ikke gå inn i hvilemodus. |
| | Timer (tidsur): Angi tiden det tar før skjermen går inn i hvilemodus hvis det ikke oppdages noen aktiv videokilde. |
| OSD Control (OSD-kontroll) | Kontrollerer OSD (On Screen Display), menyposisjon, bakgrunn og tidsavbrudd |
| Restore Factory Settings (gjenopprett fabrikkinnstillinger) | Tilbakestiller til standardinnstillingene fra fabrikk |
| Screen Control (skjermkontroll) | VGA <ul style="list-style-type: none">• Horizontal• Vertikal• Fase• Frekvens |
| | S-Video, C-Video, SOG, RGB-er, komponent <ul style="list-style-type: none">• Horizontal• Vertikal |

SYNK (for VisionPro SYNK 26" trådløs LED-skjerm)

| Status | Beskrivelse |
|--|-------------|
| RX APP: XX.XX.XX RX MAC: XX.XX.XX.XX | Mottaker |
| TX APP: XX.XX.XX TX MAC: XX.XX.XX.XX | Sender |
| WiFi SW: XXX-X.XX SIGNAL = Sterkt, bra, svakt Standardregion: XXX FREKV: XXXX MHz | Sender |

Information (informasjon)

| Menyelement | Beskrivelse |
|--|---|
| User Name Entry (angivelse av brukernavn) | Angir visning av egendefinert brukernavn for skjermbilde ved oppstart |
| Serial Number (serienummer) | Viser serienummer for enheten |
| Runtime (kjøretid) | Viser aktuell total kjøretid for enheten |
| Input Format (inngangsformat) | Viser gjeldende inngangsformat |

Merknad: Faktiske displayverdier på skjermen kan variere med oppdaterte versjoner av fastvare og brukerinnstillingene.

Feilsøking

Ta en titt i feilsøkingsskjemaet nedenfor før du sender skjermen til service:

| Problem | Gjeldende status | Løsning |
|--------------------------|--|---|
| Ikke bilde | Strømlampen er på | Ved bruk av OSD kan lysstyrken og kontrasten settes til maks. eller stilles inn til standardinnstillingene. |
| | Strømlampen er av | Pass på at strømbryteren foran og bak på skjermen er stilt inn til ON (på). |
| | | Sjekk om vekselstrømkabelen er riktig tilkoblet til vekselstrømsadapteren og strømuttaket. |
| | | Kontroller at strømforsyningen er fullstendig tilkoblet og fungerer som den skal. |
| Strømlampen blinker | Rød | Skjermen er i hvilemodus. Trykk på en hvilken som helst tast for å vekke skjermen. |
| | Gul | Strømforsyningen kan ha over- eller underspenning. |
| Unormalt bilde | For stort, for lite eller manglende video eller forskyvning av bildets sentrum | Juster innstillingene Fase, Frekvens, Horisontal og Vertikal ved hjelp av skjermkontrollmenyen for å korrigere displaybildet. |
| | | Juster innstillinger i skaleringsmodus |
| | | Kun for VGA-inngang: trykk på og hold dreieknappen inne i 1 – 2 sekunder for å synkronisere videosignalene på nytt. |
| | | Vent noen sekunder etter synkroniseringen av videosignalene, eller slå av strømmen til skjermen. |
| OSD-feilmelding | “Out of Range” (utenfor området) | Kontroller at en godkjent videokilde er tilkoblet. |
| Pollett-LED blinker gult | Feil | Kontakt servicerepresentanten. |

Rengjøring og vedlikehold



Advarsel

Koble strømforsyningen og skjermen fra strømuttaket før rengjøring for å unngå risiko for elektrisk støt og mulige fatale skader.

Forholdsregel

- Ikke spray rengjøringsvæske direkte på skjermen eller strømforsyningen da dette kan føre til skade på produktet. Spray på kluten før du tørker av enheten.
- Ikke senk skjermen eller strømforsyningen ned i væske, da dette vil føre til skade på produktet.
- Ikke bruk etsende rengjøringsmidler til å rengjøre skjermen eller strømforsyningen, da dette kan føre til skade på produktet.
- Ikke steriliser skjermen eller strømforsyningen, da dette kan føre til skade på produktet.

Rengjøring

Rengjøre skjermen eller strømforsyningen:

1. Hvis displaydekslet sitter på plass, må det tas av før rengjøring.
2. **For VisionPro SYNK 26" trådløs LED-skjerm.** Kontroller at dekslet settes på pollettåpningen før rengjøring.
3. Standard desinfeksjonsmiddel eller mildt rengjøringsmiddel påføres en tørr, steril klut.
4. Tørk av skjermen eller strømforsyningen.
5. Vær ekstra forsiktig ved rengjøring av displayskjermen. Overflødig væske eller dråper som trenger inn nederst på skjermen eller i strøminntaket, kan føre til skade på produktet.

Inspeksjon

Inspiser alltid produktet før bruk. Se delen om feilsøking i dette dokumentet hvis noen av følgende tilstander oppdages. Hvis produktytelsen fremdeles ikke er tilfredsstillende, avslutter du bruken og kontakter Stryker-representanten din.

- ikke noe bilde, unormalt bilde eller uakseptabel bildeklarhet
- ikke mulig å slå på enheten
- ukorrekt eller ingen respons på knappe- og/eller bryterfunksjonalitet.
- betydelig fysisk skade på skjerm eller tilbehør, inkludert uakseptabel uklarhet på skjermen, skadet belegg, korrosjon, unormal støy, rifter i kabler, eksponerte ledninger og/eller skade som hindrer en sikker monteringsflate
- Strømlampen blinker gult

Forventet levetid

Enheten og tilbehørets levetid i stor grad av slitasje, rengjøringsmetoder og eventuelle skader som følge av bruk. For å forlenge tiden mellom service på enheten må du alltid følge vedlikeholds- og håndteringsanvisningene i denne brukerhåndboken og brukerhåndboken for tilbehøret.

Kassering



I henhold til EU-direktiv 2012/19/EU om avhending av elektrisk og elektronisk utstyr (WEEE), etter endring, skal produktet og dets tilbehør samles inn separat for resirkulering. Skal ikke kastes som usortert kommunalt avfall. Ta kontakt med den lokale distributøren for informasjon om kassering. Sørg for at kontaminert utstyr er rengjør i henhold til avsnittet om rengjøring i denne bruksanvisning og tilbehørets bruksanvisning før resirkulering.

Alt systemtilbehør skal kasseres i overensstemmelse med normal institusjonell praksis som gjelder potensielt kontaminerte gjenstander.

Rapportering av uønskede hendelser

Ethvert alvorlig tilfelle som har oppstått i forbindelse med denne enheten, skal rapporteres til Stryker og, i EU, til den kompetente myndigheten i landet der den påvirkede personen holder til.

Tekniske spesifikasjoner

Display

| | |
|---|--|
| Panelet på LCD-skjermen | 26" (661 mm) diagonal (a-Si TFT aktiv matrise-LCD) |
| Synkronisering | 2,5 – 5,0 Vpp separert synk. |
| Punktavstand | 0,300 (H) x 0,300 (V) mm |
| Responstid | <18 ms type |
| Visningsvinkel | Høyre/venstre/opp/ned 89 grader |
| Farger på skjermbilde | 1 milliard farger (10 biter) |
| Egen oppløsning | 1920 (H) punkter x 1080 (V) linjer |
| VisionPro 26" LED-skjersignaler | DVI, VGA, 3G/HD/SD-SDI (In/Out), C-Video/SOG, S-Video, komponent/RGB-er (Y/G, Pb/B, Pr/R, HS, VS), RS232 |
| VisionPro SYNK 26" trådløs LED-skjersignaler | Trådløs digital RGB, DVI, S-Video, C-Video/SOG, RS232 og USB |
| Maksimal pikselklokke | 165 MHz |

Elektrisk

| | |
|-----------------------------|---|
| Strømadapter | Inngang: 100 – 240 VAC; 50 – 60 Hz; 2,5 A (2,5A - 1,5A) Utgangseffekt: 24 V DC; 6,25 A (maks. 150 W) Modellnummer: BPM150S24F11 |
| Strømforbruk (cirka) | 35 – 65 Watt |

Strøm / nominell spenning

Sikre at den respektive strømedningen oppfyller gjeldende lokale forskrifter og standarder.

| | |
|----------------------------------|---|
| 110 V +/- 10 V strømuttak | Velg en strømforsyningsledning som er UL-listet og C.S.A.-sertifisert, type SJT eller SVT, 3 - leder, 18AWG, terminert i en formstøpt pluggchette av sykehustype med nominell verdi på 110 V +/- 10 V, 15 A, med en minimumslengde på 1,8 meter. |
| 220V +/- 20V strømuttak | Velg en strømforsyningsledning som er internasjonalt harmonisert og merket "<HAR>", 3-leder, 0,75 mm ² minimumsuaier, klassifisert 220 V +/- 20 V, 10 A med en PVC-isolert kappe. Ledningen må ha en formet pluggchette, klassifisert 220 V +/- 20 V, 10 A. Ledningen og pluggcheten må være egnet for medisinsk bruk. |

Mål

| | |
|--------------------------------------|-----------------------|
| Mål (B x H x D) | 660,4 x 442 x 86,4 mm |
| Vekt (omtrentlig) | 8,3 kg |
| VESA installasjonsgrensesnitt | VESA 100 x 100 mm |

Driftsbetingelser

| | |
|--------------------------------------|------------|
| Temperaturområde | 10 – 40 °C |
| Relativt luftfuktighetsområde | 25 – 75 % |

Transport og oppbevaringsforhold

| | |
|--------------------------------------|-------------|
| Temperaturområde | -18 – 60 °C |
| Relativt luftfuktighetsområde | 15 – 90 % |

Klassifisering og godkjenninger

Klasse 1 Utstyr

Medisinsk utstyr med hensyn til elektrisk støt, brann og mekaniske farer kun i overensstemmelse med UL 60601-1 og CAN/CSA C22.2 nr. 601.1.

IP23: Beskyttelse mot tilgang for farlige deler for fingre eller lignende, beskyttelse fra vanninntrengning eller vannsprut (mindre enn 60° fra vertikal stilling).

Kontinuerlig drift.

Samsvar

FCC-forskrifter

VisionPro 26" LED-skjerm

FCC-del 15 klasse B

FCC-identifisering: QVXAMM261WTDS

VisionPro SYNK 26" trådløs LED-skjerm

FCC-del 15 klasse B

FCC-identifisering: QVXAMM261WTDSW

FCC del 15 klasse C

FCC-identifisering: SSH-SYNKRX (mottakerkort)

FCC-identifisering: SSH-SDMAN (tilleggskort)

IC-forskrifter

VisionPro SYNK 26" trådløs LED-skjerm

IC: 4919C-SYNKRX (mottakerkort)

IC: 4919C-SDMAN (tilleggskort)

Merknad: Ta kontakt med den lokale representanten for Stryker Endoscopy for å få informasjon om endringer og nye produkter.

Elektromagnetisk kompatibilitet

På samme måte som annet elektrisk medisinsk utstyr, krever VisionPro 26" LED-skjerm og VisionPro SYNK 26" trådløs LED-skjerm særlige forholdsregler for å sikre elektromagnetisk samsvar med annet elektrisk medisinsk utstyr. For å sikre elektromagnetisk kompatibilitet (EMC) skal skjermen være installert og betjent i henhold til den informasjonen om EMC som kan finnes i denne håndboken. Skjermen er utformet og testet for å være i samsvar med IEC 60601-1-2-kravene til EMC med annet utstyr.

Merk: Dette utstyret er til bruk i et profesjonelt helsemiljø. Det er ikke til bruk i et RF-skjermet rom til MR-utstyr, hvor det forekommer store EM-forstyrrelser.

Merk: Dette utstyret er ikke mottakelig for forstyrrelser fra høyfrekvente kirurgiske instrumenter i det spesielle miljøet nært et aktivt høyfrekvent kirurgisk instrument. Hvis høyfrekvent kirurgisk forstyrrelse oppstår, må avstanden mellom utstyret justeres.



Advarsel

Når dette utstyret er koblet sammen med annet elektrisk utstyr, kan lekkasjestrømmer tilkomme. For å gjøre total lekkasjestrøm per pasient minst mulig må det påses at alle systemer er installert i samsvar med kravene i IEC 60601-1-1.

Forholdsregel


Bærbart og mobil radiokommunikasjonsutstyr kan påvirke skjermens normale funksjon. Det må ikke benyttes andre kabler eller annet tilbehør enn det som leveres sammen med skjermen, da dette vil kunne forårsake økt elektromagnetisk utstråling eller redusert motstandskraft for slik utstråling. Hvis skjermen brukes ved siden av eller stablet opp på annet utstyr, må skjermen observeres, og det må påses at det fungerer normalt i den konfigurasjonen det skal brukes, før det benyttes ved et kirurgisk inngrep. Se tabellen nedenfor for veiledning når det gjelder hvor skjermen kan plasseres.

Retningslinjer og produsenterklæring: Elektromagnetiske utslipp

VisionPro 26" trådløst LED-skjerm og VisionPro SYNK 26" trådløs LED-skjerm er beregnet som videoskjermer under kirurgiske inngrep. Kunden eller brukeren av skjermen skal forsikre seg om at det brukes i et slikt miljø.

| Strålingstest | Samsvar | Elektromagnetiske omgivelser – retningslinjer |
|---|-----------|--|
| RF-stråling CISPR 11 | Gruppe 1 | Skjermene bruker RF-energi bare til intern funksjon. RF-emisjonene er derfor svært lave, og det er ikke sannsynlig at de vil forstyrre elektronisk utstyr i nærheten. |
| RF-stråling CISPR 11 | Klasse B | Skjermene passer til bruk på alle andre steder enn i privatboliger eller plasser som er koblet direkte til offentlig strømmett som leverer strøm til privatboliger, så lenge følgende advarsel følges. |
| Harmonisk stråling IEC 61000-3-2 | Klasse D | |
| Spenningsvariasjoner/ flimmerutslipp IEC 61000-3-3 | Samsvarer | Advarsel: Dette systemet er kun beregnet for bruk av helsepersonell. Dette systemet kan forårsake radiointerferens eller forstyrre driften av utstyr i nærheten. Det kan bli nødvendig å sette i verk begrensende tiltak som f.eks. å snu eller flytte på systemet eller å beskytte området. |

| Veiledning og produsentens erklæring – elektromagnetisk immunitet | | | |
|--|--|--|---|
| VisionPro 26" trådløst LED-skjerm og VisionPro SYNK 26" trådløs LED-skjerm er beregnet som videoskjermer under kirurgiske inngrep. Kunden eller brukeren av displayet skal forsikre seg om at det brukes i et slikt miljø. | | | |
| Immunitetstest | IEC 60601-testnivå | Samsvarsnivå | Elektromagnetisk miljø – Veiledning |
| Elektrostatisk utladning (ESD) IEC 61000-4-2 | ± 8 kV kontakt ± 15 kV luft | ± 8 kV kontakt ± 15 kV luft | Gulv skal være av tre, betong eller keramiske fliser. Dersom gulvet er dekket av syntetisk materiale bør den relative luftfuktigheten være minst 30 %. |
| Elektrisk hurtig transient/burst IEC 61000-4-4 | ± 2 kV for strømforsyningsledninger ± 1kV for inngangs-/utgangsledninger (hvis aktuelt) | ± 2 kV ledning til jord ± 1 kV ledning til ledning (hvis aktuelt) | Strømforsyningen skal være av typisk kommersiell kvalitet eller tilpasset sykehusmiljø. |
| Spenningsstøt IEC 61000-4-5 | ± 1 kV differensialmodus ± 2 kV fellesmodus | ± 1 kV differensialmodus ± 2 kV fellesmodus | Strømforsyningen skal være av typisk kommersiell kvalitet eller tilpasset sykehusmiljø. |
| Spenningsfall, korte forstyrrelser og strømvariasjoner på strømtilførselslinjene IEC 61000-4-11 | 0 % U_T , 0,5 syklus 0 % U_T , 1 syklus 70 % U_T , 25 sykluser 0 % U_T , 5 sek. | 0 % U_T , 0,5 syklus 0 % U_T , 1 syklus 70 % U_T , 25 sykluser 0 % U_T , 5 sek. | Strømforsyningen skal være av typisk kommersiell kvalitet eller tilpasset sykehusmiljø. Dersom brukeren av senderen trenger kontinuerlig drift ved strømbrydd, anbefales det å bruke avbruddsfri strømforsyning eller batteri som strømkilde for den trådløse senderen. |
| Spenningsfrekvensens (50/60 Hz) magnetfelt IEC 61000-4-8 | 30 A/m | 30 A/m | Strømfrekvensens magnetfelt skal ligge på typiske nivåer for et typisk kommersielt miljø eller sykehusmiljø. |
| Merk: U_T står for vekselstrømspenningen før testnivået anvendes. | | | |

| Retningslinjer og produsenterklæring: Elektromagnetisk immunitet | | | |
|---|--|-------------------|--|
| VisionPro 26" trådløst LED-skjerm og VisionPro SYNK 26" trådløs LED-skjerm er beregnet som videoskjermer under kirurgiske inngrep. Kunden eller brukeren av displayet skal forsikre seg om at det brukes i et slikt miljø. | | | |
| Immunitetstest | IEC 60601-testnivå | Samsvarsnivå | Elektromagnetisk miljø – veiledning |
| Ledet RF IEC 61000-4-6 Utstrålt RF IEC 61000-4-3 | 3 Vrms 150 kHz til 80 MHz 10 V/m 80 MHz til 2,7 GHz | 3 V 10 V/m | Bærbart og mobilt utstyr for RF-kommunikasjon bør ikke brukes nærmere noen del av skjermene, inkludert kabler, enn den anbefalte avstanden beregnet ut fra ligningen som gjelder senderens frekvens. Anbefalt sikkerhetsavstand: $d = 2 \sqrt{P}$ 80 MHz til 2,7 GHz der P er senderens maksimale utgangseffekt i watt (W) oppgitt av fabrikanten, og d er anbefalt sikkerhetsavstand i meter (m). Feltstyrker fra stasjonære RF-sendere, slik det er fastslått av en elektromagnetisk stedsundersøkelse (a), skal være lavere enn samsvarsnivået i alle frekvensområder (b). Forstyrrelser kan forekomme i nærheten av utstyr merket med følgende symbol:  |

(a) Feltstyrker fra stasjonære sendere, f.eks. basestasjoner for radio, telefoner (mobil/trådløs) og mobilradioer, amatørradioer AM- og FM-radiokringkasting og TV-kringkasting kan teoretisk ikke forutsies med nøyaktighet. For å vurdere de elektromagnetiske omgivelsene som skyldes stasjonære RF-sendere, bør en elektromagnetisk stedsundersøkelse vurderes. Dersom den målte feltstyrken der VisionPro 26" LED-skjerm og VisionPro SYNK 26" trådløs LED-skjerm brukes overskrider det relevante RF-overholdelsesnivået over, skal skjermen og senderen observeres for å verifisere normal funksjon. Dersom det observeres unormal funksjon, skal man sette inn andre tiltak, som f.eks. å snu eller flytte på skjermen.

(b) I frekvensområdet på 150 kHz til 80 MHz bør feltstyrker være lavere enn 3 V/m.

Testede spesifikasjoner for immunitet mot trådløst RF-kommunikasjonsutstyr

| Testfrekvens (MHz) | Bånd (MHz) | Service | Modulasjon | Maks. effekt (W) | Avstand (m) | Immunitets-testnivå (V/m) |
|--------------------|------------|--|------------------------------------|------------------|-------------|---------------------------|
| 385 | 380-390 | TETRA 400 | Puls-modulasjon 18 Hz | 1,8 | 0,3 | 27 |
| 450 | 430-470 | GMRS 460, FRS 460 | FM ± 5 kHz avvik 1 kHz sinus | 2 | 0,3 | 28 |
| 710 | 704-787 | LTE-bånd 13, 17 | Puls-modulasjon 217 Hz | 0,2 | 0,3 | 9 |
| 745 | | | | | | |
| 780 | | | | | | |
| 810 | 800-960 | GSM 800/900, TETRA 800, iDEN 820, CDMA 850, LTE-bånd 5 | Puls-modulasjon 18 Hz | 2 | 0,3 | 28 |
| 870 | | | | | | |
| 930 | | | | | | |
| 1720 | 1700-1990 | GSM 1800; CDMA 1900; GSM 1900; DECT; LTE-bånd 1, 3, 4, 25; UMTS | Puls-modulasjon 217 Hz | 2 | 0,3 | 28 |
| 1845 | | | | | | |
| 1970 | | | | | | |
| 2450 | 2400-2570 | Bluetooth, WLAN, 802.11 b/g/n, RFID 2450, LTE-bånd 7 | Puls-modulasjon 217 Hz | 2 | 0,3 | 28 |
| 5240 | 5100-5800 | WLAN 802.11 a/n | Puls-modulasjon 217 Hz | 0,2 | 0,3 | 9 |
| 5500 | | | | | | |
| 5785 | | | | | | |

Merk: Bærbart RF-kommunikasjonsutstyr skal ikke brukes nærmere VisionPRO 26" LED-skjerm og VisionPro SYNK 26" trådløs LED-skjerm enn 30 cm. Ellers kan utstyrets ytelse bli degradert.

Stryker Endoscopy erklærer herved at VisionPro SYNK 26" trådløs LED-skjerm samsvarer med de nødvendige kravene og andre relevante bestemmelser i direktivet 1999/5/EF. En kopi av samsvarserklæringen kan fås ved henvendelse til Stryker Endoscopy, 5900 Optical Court, San Jose, CA, 95138, USA.

Symboler og symbolforklaringer

Følgende symboler finnes på produktet, merkingen eller på produktemballasjen. Hvert symbol har en særskilt betydning, slik det er definert nedenfor



Se bruksanvisningen



Att: Se bruksanvisning



Serienummer



Mengde



Temperaturområde



Luftfuktighetsområde



Autorisert representant i Europa



Opprinnelsesland



Katalognummer



Likestrøm



Produksjonsdato



Registrert produsent



Testet for å vise
overensstemmelse med
klasse B- og C-standarder fra FCC



Trådløs overføring



Føderal lov krever at dette
utstyret kun selges av eller
etter fullmakt fra lege



Enheten oppfyller EUs krav til
medisinsk utstyr



Gjenvinningskode for utstyret
(gjelder i Kina)



Obligatorisk sertifikatmerke
i Kina

IP23

Kabinettet gir beskyttelse mot:

- Tilgang til farlige deler for fingre eller lignende
- Vannsprut (mindre enn 60° fra vertikal stilling)



Samsvarer med australske lovbestemmelser



Medisinsk utstyr i henhold til AAMI ES60601-1 og CSA C22.2
Nr. 60601-1-08-CAN/CSA i forbindelse med elektrisk støt, brannfare
og mekanisk fare



Dette produktet inneholder elektrisk avfall eller elektronisk utstyr. Det kan ikke
kastes som usortert kommunalt avfall og må innsamles atskilt.



Medisinsk utstyr i den europeiske union

Innehållsförteckning

| | |
|---|---------------|
| Varningar och försiktighetsbeaktanden | SV-317 |
| Om enheten | SV-319 |
| Avsedd användning och indikationer för användning | SV-320 |
| Kontraindikationer | SV-320 |
| Förpackningens innehåll | SV-321 |
| Enhetens funktioner | SV-322 |
| Installation | SV-327 |
| Anslutningar | SV-327 |
| Grundläggande videoinkoppling | SV-329 |
| Drift | SV-330 |
| Skärmmeny (OSD) | SV-330 |
| Skärmmenyer | SV-332 |
| Felsökning | SV-335 |
| Rengöring och underhåll | SV-336 |
| Tekniska specifikationer | SV-338 |
| Elektromagnetisk kompatibilitet | SV-340 |
| Symboler och definitioner | SV-343 |

Varningar och försiktighetsbeaktanden

Läs den här handboken och följ instruktionerna noga. Orden varning, försiktighet och obs har speciella betydelser och ska läsas noga:

Varning! Anger åtgärder för att undvika potentiellt allvarliga skador på användare och patient.

Försiktighet! Anger risker för utrustningen. Om försiktighetsbeaktanden inte iakttas kan produkten skadas.

Obs! Ger särskild information för att förklara instruktioner eller anger ytterligare användbar information.

Varningar

För att förhindra skador på användare och patient måste nedanstående varningar beaktas:

1. Läs noga igenom handboken så att du är förtrogen med innehållet innan du använder denna utrustning.
2. Enligt amerikansk federal lag (USA) får denna enhet endast säljas av, eller på ordination av, läkare.
3. Packa försiktigt upp enheten och kontrollera att den inte har skadats under transporten.
4. Enheten är inte steril och får därför inte placeras inom det sterila området.
5. Placera inte enheten eller andra tunga föremål på nätkabeln. Skador på kabeln kan orsaka brand eller elektriska stötar.
6. Undvik att ta bort ramen då risk för elektriska stötar föreligger.
7. Enheten får inte användas intill eller staplad ovanpå annan utrustning. Om det är nödvändigt att använda enheten nära intill eller staplad ovanpå annan utrustning, ska den observeras för att verifiera normal funktion i den konfiguration som den ska användas.
8. Testa enheten innan den används vid kirurgiska ingrepp. Den här enheten har testats grundligt på fabriken före leverans.
9. Utför inte invändiga reparationer eller justeringar som inte specifikt anges i den här handboken. Säkerställ att justeringar, modifieringar och/eller reparationer utförs av personer som auktoriserats av Stryker Endoscopy.
10. Låt inga föremål komma in i panelen. Om så sker, ska sladden dras ur och enheten kontrolleras av behörig personal innan den används igen.
11. Vidta lämpliga försiktighetsåtgärder för att förhindra kontakt med vätskor om enheten är ansluten till en strömkälla i patientmiljö.
12. Om andra kablar och/eller tillbehör än de specificerade används med enheten kan det leda till ökad emission eller reducerad immunitet hos enheten.

Försiktighetsbeaktanden

1. Koppla enheten till en nätadapter ansluten till nätkabel för sjukhusbruk. Kontrollera att nätkabeln kopplas till ett jordat uttag så att enheten är säkert jordad.
2. Enheten får inte steriliseras eftersom den känsliga elektroniken inte tål en sådan procedur.
3. Använd endast det äganderättskyddade nättaggregatet för kirurgisk monitor till monitorn. Anslut likströmskabeln med förlängningskabeln på ett säkert sätt.

4. Använd aldrig enheten direkt efter att den har transporterats från en kall till en varm plats.
5. Vid anslutning till strömkälla av internationell typ, använd en för vägguttaget avsedd stickkontakt enligt beskrivningen i avsnittet "Tekniska specifikationer" i den här handboken.
6. Koppla ur enheten om den ska stå oanvänd under längre tid. Koppla ur kabeln genom att först skruva ur kontakten och dra sedan ut kabeln med kontakten. Dra aldrig i själva kabeln.
7. Utsätt inte enheten för fukt och använd inte flytande rengöringsmedel direkt på skärmen. Spruta rengöringsmedel på en mjuk trasa och rengör försiktigt. För mer detaljerad information, se avsnittet "Rengöring och underhåll" i den här handboken.
8. Säkerställ tillräcklig luftcirkulation för att förhindra invändig överhettning. Placera inte enheten på ytor (mattor, filtar osv.) eller i närheten av material (gardiner, draperier) som kan blockera ventilationspringorna. Enheten kyls med naturlig konvektion och har ingen fläkt.
9. Vidrör inte patienten med ingångs- eller utgångssignalkontaktarna. Utrustning med SIP/SOP-kontakter ska uppfylla antingen IEC 60601-1 och/eller IEC 60601-1-1 harmoniserad nationell standard, annars ska kombinationen utvärderas med avseende på säkerhet.
10. Information om hur du säkerställer elektromagnetisk kompatibilitet finns i avsnittet "Elektromagnetisk kompatibilitet" i den här handboken. VisionPro 26" LED-skärm (0240-031-020) och VisionPro SYNK 26" trådlös LED-skärm (0240-031-000) måste installeras och användas i enlighet med den EMK-information som anges i den här handboken.
11. Var speciellt uppmärksam på rengöringsinstruktionerna i den här handboken. En avvikelse kan orsaka skador.
12. Placera inte enheten nära direkt solljus, områden med mycket damm, mekaniska vibrationer eller stötar.
13. Placera inte utrustningen på ett sådant sätt att det är svårt att dra ut nätkabeln från eluttaget.
14. Ha inte enheten påslagen med glasskärmen i nedåtriktat läge.
15. Hantera enheten varsamt. Undvik att slå på eller repa skärmen.
16. Ändringar eller modifieringar som inte uttryckligen godkänts av den part som är ansvarig för regelefterlevnad kan upphäva användarens rätt att använda utrustningen.
17. **Obs! Enheten har testats och befunnits uppfylla gränsvärdena som gäller för digital utrustning av klass B, enligt del 15 av FCC:s regler. Gränsvärdena är utformade för att ge rimligt skydd mot skadlig strålning i bostadsmiljö. Enheten alstrar, utnyttjar och kan utstråla radiofrekvent energi och kan, om den inte installeras och används i enlighet med dessa anvisningar, orsaka skadliga störningar av radiofrekvent kommunikation. Det finns ingen garanti för att störningar inte uppkommer i en viss installation. Detta kan fastställas genom att enheten stängs av och slås på igen. Användaren uppmanas att försöka avhjälpa störningarna på något av följande sätt:**
 - Rikta om eller flytta den mottagande enheten.
 - Öka separationsavståndet mellan enheterna.
 - Anslut enheten till en annan krets än den till vilken den/de andra enheterna är anslutna.
 - Rådfråga tillverkaren eller en servicetekniker.

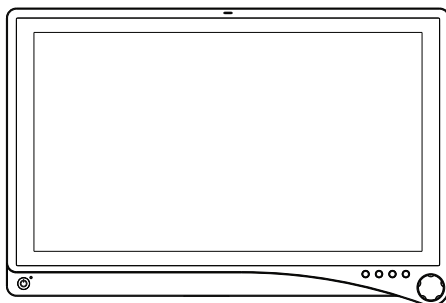
Garantin gäller inte om någon av dessa varningar eller försiktighetsbeaktanden ignoreras.

Denna produkt innehåller elektroniskt avfall eller elektronisk utrustning. Den får inte kasseras som osorterat kommunalt avfall, utan måste insamlas separat.

Om enheten

VisionPro 26" LED-skärm

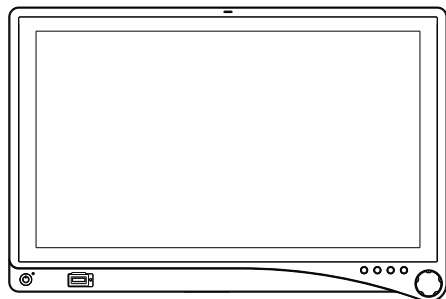
REF: 0240-031-020



VisionPro 26" LED-skärm är en kirurgisk monitor med LED-bredbildskärm som har stöd för en maximal upplösning på WUXGA (1920x1200). Monitorn stödjer följande videosignaler: digital RGB, analog RGB, SDI (seriellt digitalt gränssnitt), komponentvideo (YPbPr/RGBS), S-video och C-video. Den stödjer också seriekommunikation via RS232-porten.

VisionPro SYNK 26" trådlös LED-skärm

REF: 0240-031-000



VisionPro SYNK 26" trådlös LED-skärm kan användas tillsammans med tillvalet SYNK-sändare (0240-031-010 eller 0240-031-011), som gör att den kan ta emot en HD-videosignal via en radiosignallänk.

Monitorn stödjer följande videosignaler: DVI, S-video och C-video/SOG. När den trådlösa funktionen har aktiverats stödjer monitorn en trådlös digital RGB-videosignal. Monitorn stödjer också en USB-port och seriekommunikation via RS232-porten.

Obs! Den trådlösa funktionen för VisionPro SYNK 26" trådlös LED-skärm kan endast aktiveras via SYNK-sändaren.

Se handboken för SYNK trådlöst system (P21693) för detaljerade instruktioner om hur du ska använda SYNK trådlös sändare och den trådlösa funktionen för VisionPro SYNK 26" trådlös LED-skärm.

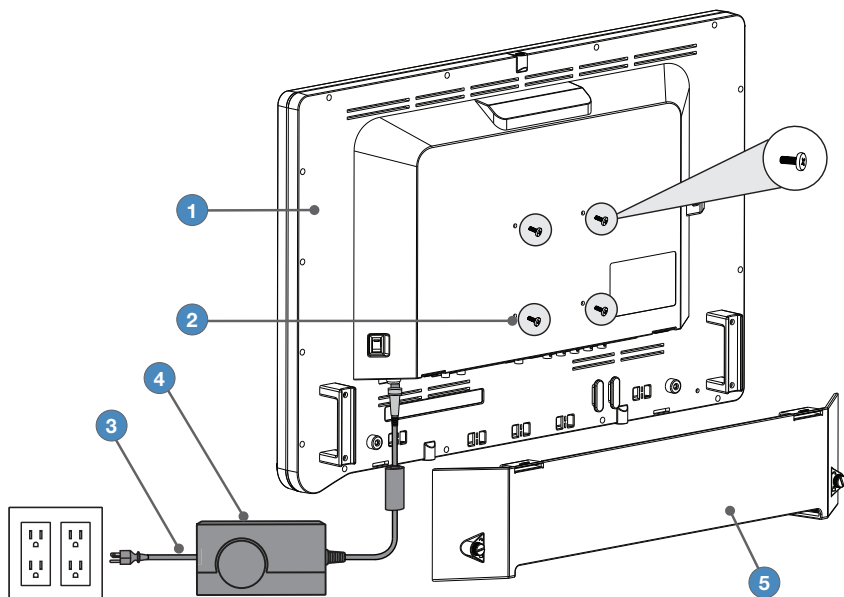
Avsedd användning och indikationer för användning

VisionPro SYNK 26" trådlös LED-skärm och VisionPro 26" LED-skärm är avsedda för att visa videobilder under kirurgiska ingrepp inklusive artroskopi (ortopedisk kirurgi), laparoskopi (allmän och gynekologisk kirurgi), torakoskopi och endoskopi (allmän och gastroenterologisk kirurgi samt ÖNH-kirurgi). Monitorn är en osteril enhet för flergångsbruk och är inte avsedd att användas inom det sterila området. Monitorn är avsedd att användas av kvalificerade läkare med full kännedom om de kirurgiska ingreppen.

Kontraindikationer

Det finns inga kända kontraindikationer för enheten.

Förpackningens innehåll



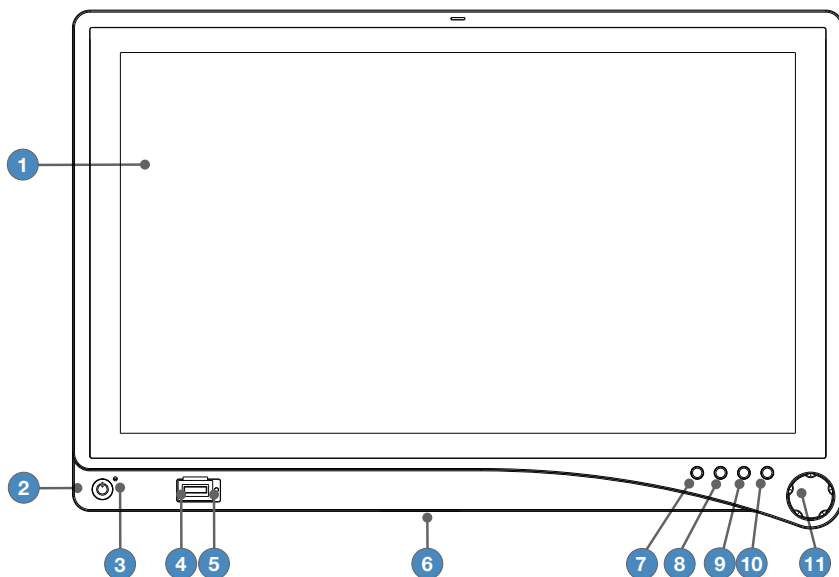
| Referens | Artikelnummer | Förpackningens innehåll |
|----------|------------------------------|--|
| 1 | 0240-031-020 0240-031-000 | VisionPro 26" LED-skärm eller VisionPro SYNK 26" trådlös LED-skärm. |
| 2 | – | (4) M4 × 16 mm VESA-skruvar |
| 3 | – | Nätkabel för sjukhusbruk |
| 4 | 0240-031-004 | Nättaggregat för medicinskt bruk |
| 5 | – | Kabelhölje |

| Artikelnummer | Valfria tillbehör |
|---------------|---|
| 0240-031-002 | VisionPro 26" skärmskydd |
| 0240-031-004 | Strömförsörjning av medicinsk kvalitet |
| 0240-031-010 | SYNK trådlös sändare |
| 0240-030-951 | 4,5 m (5-stifts) förlängningssladd för likström |
| 0240-030-952 | 23 m (5-stifts) förlängningssladd för likström |

Enhetens funktioner

Frontpanel

Hantera monitorn med hjälp av kontrollratten på frontpanelen. En lista över monitorstyrfunktionerna och deras funktioner följer nedan.



- | | |
|--|---|
| 1. Bildskärm | Visar videobild. |
| 2. Strömbrytare (mjuk) | Används för att slå PÅ och AV monitorn. |
| 3. Lysdiod för ström | Anger aktuell status: Grön – Skärmen är påslagen eller i skärmläckarläge Blinkar rött – Skärmen är i viloläge Blinkar gult – Över- eller underspänning |
| 4. Uttag för kodchips (endast VisionPro SYNK 26" trådlös LED-skärm) | Plats för kodchips för att upprätta trådlös kontakt med sändaren. |
| 5. Uttag för LED (endast VisionPro SYNK 26" trådlös LED-skärm) | Grön – Länk är etablerad Gul – Initierar |
| 6. Extra anslutning | Blinkar gult – Fel, kontakta kundservice Stödjer extra enhetsanslutningar. |

7. Ljud/PIP

VisionPro 26" LED-skärm:

Öppnar menyn för justering av bild-i-bild.

VisionPro SYNK 26" trådlös LED-skärm:

Tryck två gånger för menyn för justering av bild-i-bild.

Obs! Ljutfunktion är inte aktiverad.

Öppnar menyn för justering av ljusstyrka

8. Ljusstyrka

9. Specialitet

Öppnar menyn Specialitet

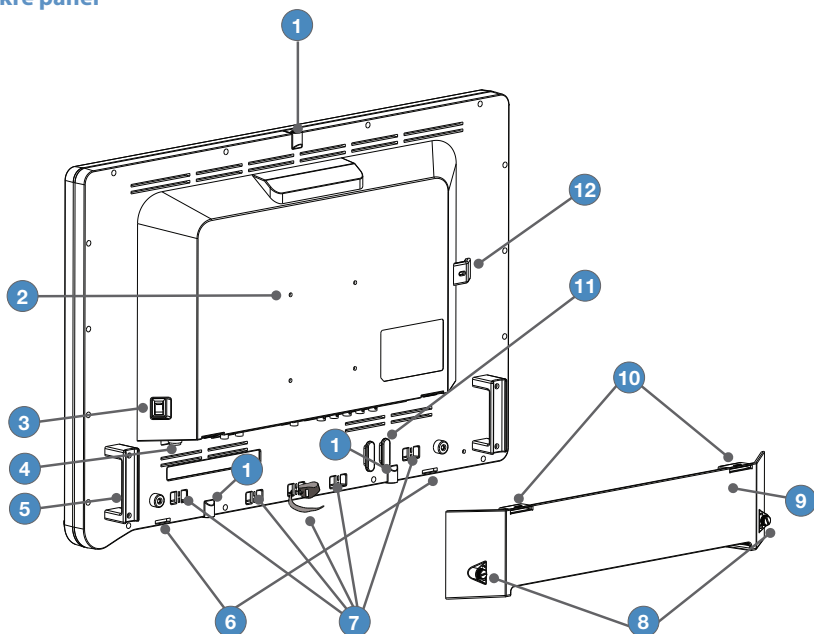
10. Insignal

Öppnar menyn Val av insignal

11. Kontrollratt

Ger tillgång till skärmmenyn och bläddrar genom dess funktioner.

Bakre panel



1. **Tillbehörsfästen (3)**
2. **VESA-monteringshål**
3. **Strömbrytare (hård)**
4. **Strömanslutning**
5. **Handtag**
6. **Hakar för kabelhölje**
7. **Kardborreband**
8. **Tumskruvar för kabelhölje**
9. **Kabelhölje**
10. **Klämmor för kabelhölje**
11. **Kabelvinda**
12. **Låsfunktion**

Åtkomstpunkt för montering av alternativa tillbehör.

Åtkomstpunkt för montering av monitorn.

Stänger AV och slår PÅ ingående likström.

Kopplas till 24 V likströmsaggregatet.

Underlättar monitorns placering.

Försiktighet! Handtagen är inte avsedda att bära monitorns hela vikt.

Fäster den undre delen av kabelhöljet i monitorn.

Band som underlättar kabelhanteringen.

Fäster kabelhöljet på monitorn och dras åt eller lossas med fingrarna.

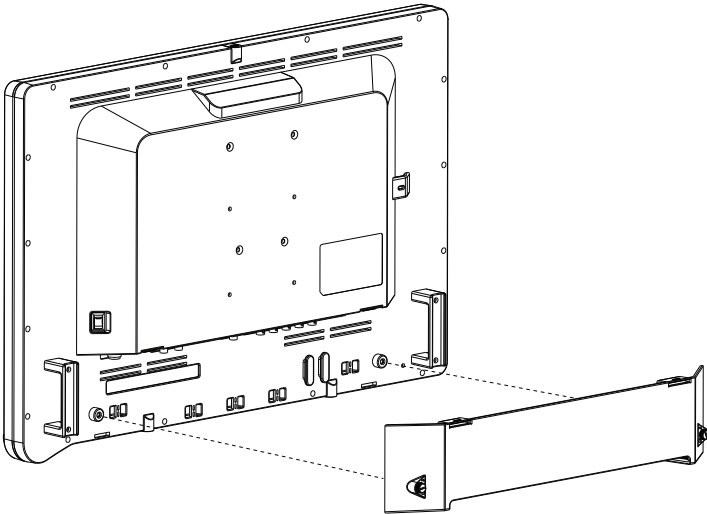
Täcker och skyddar kablarna.

Fäster den undre delen av kabelskyddet i monitorn.

Plats att linda upp kablarna på.

En låsmekanism eller en plats att dra kablar som en säkerhetsåtgärd.

Kabelhölje



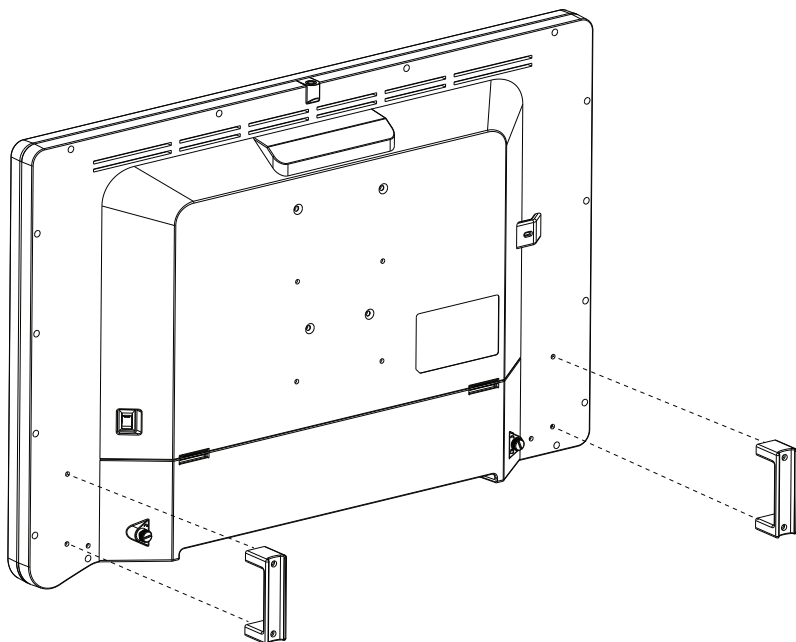
Installera kabelhöljet

1. Rikta in kabelhöljets högra och vänstra hake efter nederkanten på monitorns baksida.
2. Knäpp fast kabelhöljets övre kant med de avsedda klämmorna.
3. Använd fingrarna och vrid tumskruvarna medurs för att stadga och låsa fast kabelhöljet på monitorn.

Ta bort kabelhöljet

1. Använd fingrarna och vrid tumskruvarna moturs för att lossa dem.
2. När tumskruvarna är helt loss, kläm ihop höger och vänster klämma och dra kabelhöljet mot dig.
3. Ta bort kabelhöljet från höger och vänster hake.

Monitorhandtag



Försiktighet! Handtagen är avsedda att underlätta monitorns placering, inte för att transportera monitorn. Handtagen får inte bära monitorns hela vikt.

Borttagning av monitorhandtag

1. Använd en 3 mm insexnyckel och lossa de två M4 x 30 mm skruvarna och dra försiktigt bort handtaget från monitorn.

Montering av monitorhandtag

1. Rikta in handtaget efter skruvhålen på monitorns baksida.
2. Använd en 3 mm insexnyckel och dra fast de två M4 x 30 mm skruvarna för att fästa handtaget.

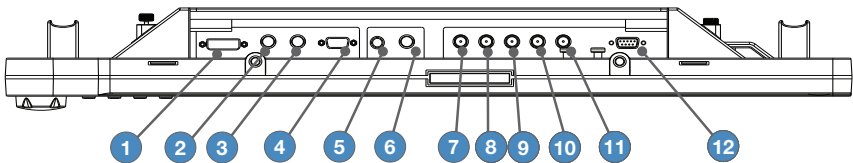
Installation

Stryker Endoscopy anser att instruerande utbildning eller servicebesök är en väsentlig del av enheten. Din lokala Stryker Endoscopy-försäljningsrepresentant tillhandahåller minst en sådan internutbildning vid en för arbetsplatsen lämplig tidpunkt, för att underlätta installation av utrustningen och utbildning av personalen i användning och underhåll. Kontakta den lokala Stryker Endoscopy-representanten efter att enheten levererats för att boka in internutbildningen.

Anslutningar

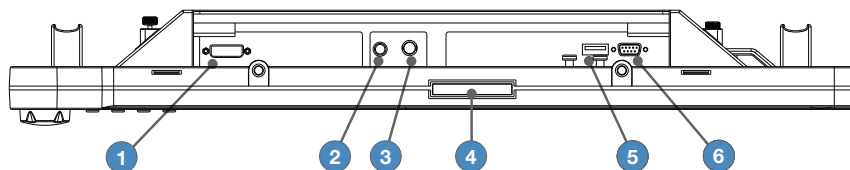
Anslutningsportar för VisionPro 26" LED-skärm

Videosignalingångar och -utgångar kopplas till baksidan av monitorn såsom visas nedan:



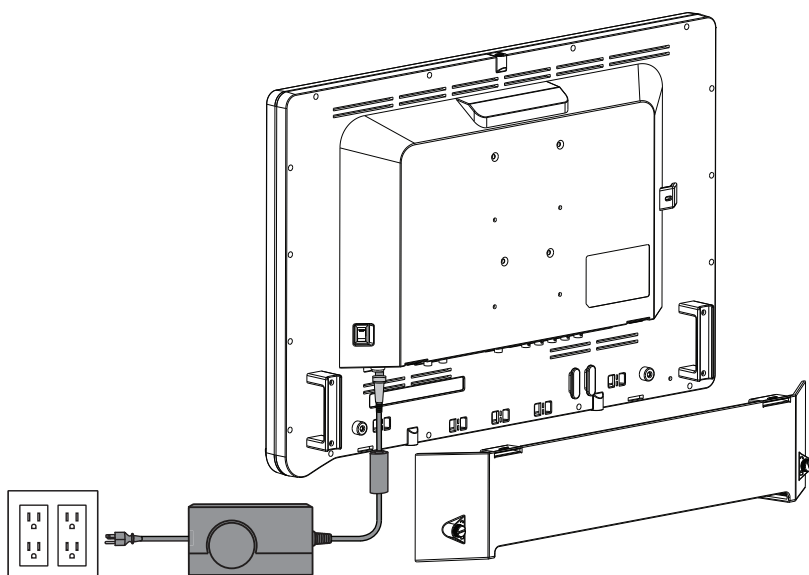
- | | |
|-----------------------|------------|
| 1. DVI | 7. R/Pr |
| 2. 3G/HD/SD SDI-in | 8. G/Y |
| 3. 3G/HD/SD SDI-ut | 9. B/Pb |
| 4. VGA | 10. H-synk |
| 5. S-video | 11. V-synk |
| 6. C-video/SOG | 12. RS232 |

Anslutningsportar för VisionPro SYNK 26" trådlös LED-skärm



- | | |
|----------------|------------------|
| 1. DVI | 4. Extra kontakt |
| 2. S-video | 5. USB |
| 3. C-video/SOG | 6. RS232 |

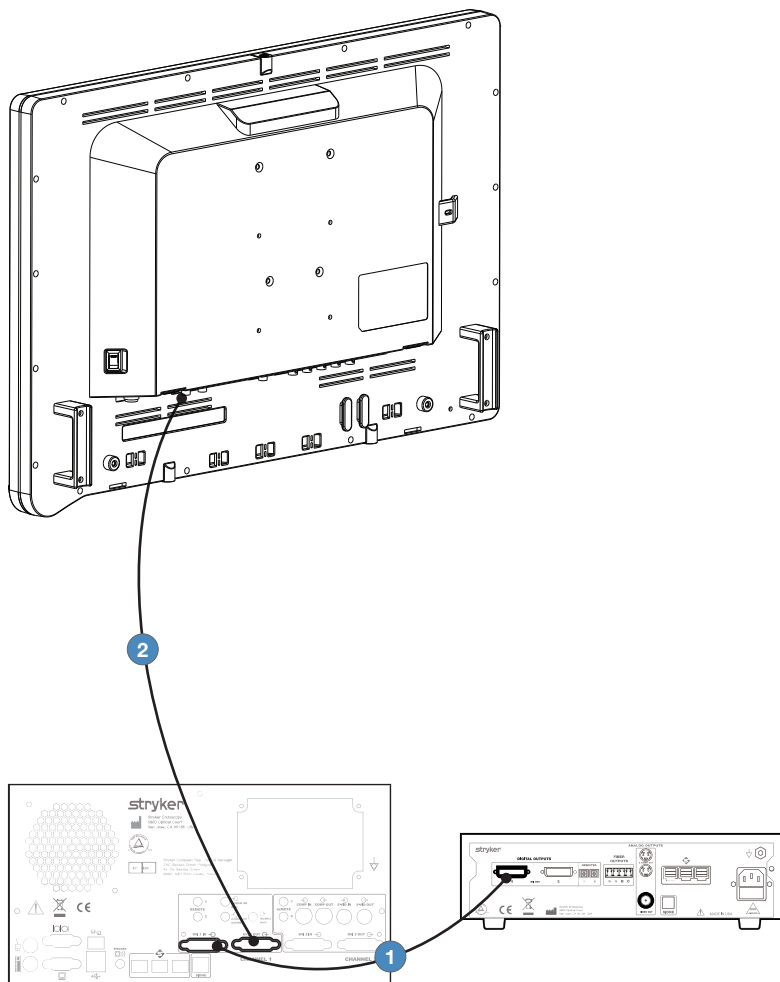
Ansluta nättaggretat



1. Anslut nättaggretat till 24 V-ingången på monitorn.
2. Anslut nätkabeln till nättaggretat*.
3. Anslut nätströmmen med den medföljande nätkabeln för sjukhusbruk.
4. (Valfritt, visas ej) Koppla en förlängningssladd mellan nättaggretat och monitorn.
5. Montera kabelhölje.

* Information om strömförsörjning: Modellnummer BPM150S24F11, Tillverkare: Bridgepower Corp.

Grundläggande videokoppling



1. Dra videoutgång 1 från kameran till SDC DVI-ingången.
2. Dra videoutgång 1 från SDC DVI-utgången till DVI-ingången på monitorn.

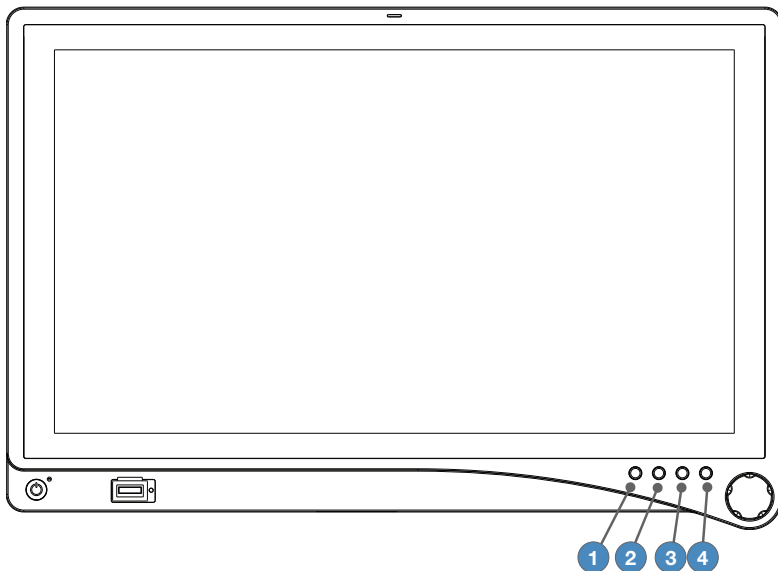
Obs! Stryker rekommenderar att en reservanslutning används till kameran.

Drift

Hantera monitorn med hjälp av kontrollratten och de fyra knapparna på frontpanelen. En lista över monitorstyrfunktionerna och deras funktioner följer nedan.

Skärmmeny (OSD)

Åtkomst till skärmmeny



Använda de fyra knapparna på frontpanelen:

1. **Ljud/PIP (VisionPro SYNK 26" trådlös LED-skärm):**
 - Tryck två gånger för att aktivera bildläge (bild-i-bild, bild för bild, bild på bild)
2. **PIP (VisionPro 26" LED-skärm):**
 - Tryck för att aktivera bildläge (bild-i-bild, bild för bild, bild på bild)
3. **Ljusstyrka:** Öppnar menyn för justering av ljusstyrka.
4. **Specialitet:** Öppnar menyn för inställning av specialitet.
5. **Ingång:** Öppnar menyn för val av insignal.

Använd ratten för att navigera i menyerna på skärmen när de är aktiverade:

- **Tryck** — öppnar/väljer i menyn på skärmen.
- **Vrid höger/vänster** — när skärmmeny är aktiverad gör vridning av ratten att värdet på den valda parametern ökar/minskar.
- **Tryck och håll in** — stänger skärmmeny.

Använda skärmmenyn

Enhetens skärmmeny underlättar navigeringen genom olika komponentmenyer.

1. Tryck på **kontrollratten** för att aktivera skärmmenyn.
2. Vrid på **kontrollratten** för att flytta uppåt eller nedåt i menyn.
Parametern är markerad när den har valts.
3. Tryck på **kontrollratten** för att öppna nästa menynivå.
4. Vrid på **kontrollratten** för att öka eller minska parametervärdet eller för att välja mellan olika alternativ.
5. Om du vill stänga skärmmenyn från menyns andra eller tredje nivå, välj alternativet Exit (Stäng). För att avsluta skärmmenyn helt, tryck på och håll **kontrollratten** intryckt. Om inga knappar trycks in kommer skärmmenyn automatiskt att stängas efter en tid som förinställts i fabriken (tiden kan justeras för kunden).

Skärmenyer

Speciality (Specialitet)

| Menyval | Beskrivning | Område |
|--|--|------------------------|
| Color Temperature (Färgtemperatur)* | Väljer mellan färgtemperaturer för Lap A (Laparoskopi A), Lap B (Laparoskopi B), Arthro A (Arthro A), Arthro B (Arthro B), Standard, PACS, NORM, ENT (ÖNH), GYN. | — |
| Red (Röd) | Rödbalans | -128–127 |
| Green (Grön) | Grönbalans | -128–127 |
| Blue (Blå) | Blåbalans | -128–127 |
| Gamma | Gammavärde | 0,1–2,5, S0, S1, S2 |

* Färgtemperaturens RGB-justering är endast tillgänglig för inställningarna Standard, Arth (Arthro) och Lap (Laparoskopi). PACS- och Norm-justeringar är endast tillgängliga under SOG-inmatning.

Ljud (Menyn är inte aktiverad)

Brightness Settings (Ljusstyrkeinställningar)

| Menyval | Beskrivning | Område |
|--|---------------------------------|--------|
| Brightness (Ljusstyrka) | Ökar eller minskar ljusstyrkan | 0–100 |
| Contrast (Kontrast) | Ökar eller minskar kontrasten | 0–100 |
| Phase (Fas)** | Ökar eller minskar fasnivån | 0–100 |
| Chroma** (Färgstyrka) | Ökar eller minskar färgstyrkan | 0–100 |
| Image Sharpness (Bildskärpa) | Ställer in bildskärpan | 1–10 |
| Video Sharpness** (Videoskärpa) | Ökar eller minskar videoskärpan | 0–100 |

** Endast tillgängligt under SDI-, S- eller C-videoinsignal.

Image Effect (Bildeffekt)

| Menyval | Beskrivning |
|-----------------------------------|---|
| Scale Mode (Skalningsläge) | Väljer ett skalningsläge mellan Fyll hela, V-fyll, H-fyll, En-till-en, eller Fyllningsförhållande |
| Freeze Frame (Stillbild) | Aktiverar eller avaktiverar stillbild |
| PIP | Aktivera PIP-funktionen (picture in picture – bild i bild) |
| POP | Aktiverar POP-funktionen (picture on picture – bild på bild) |
| PBP | Aktiverar PBP-funktionen (picture by picture – bild för bild) |

Advanced Settings (Avancerade inställningar)

| Menyval | Beskrivning |
|--|--|
| Key lock (Nyckellås) | Nyckellås på: Avaktiverar alla nyckelfunktioner. Tryck på och håll ned ratten för att stänga av nyckellåset. |
| Auto Source Select (Automatisk val av källa) | Scannar insignaler tills en aktiv videokälla detekteras. Automatiskt val av källa avaktiveras under PIP/POP/PBP-läge. |
| Sleep Timer (Vilotidur) | On (På): Monitorn övergår i viloläge om ingen aktiv videokälla detekteras. |
| | Off (Av): Monitorn övergår inte i viloläge. |
| | Timer (Tidur): Ställ in tiden tills displayens viloläge aktiveras om inte någon videokälla identifieras. |
| OSD Control (Styrning av skärmen) | Styr skärmmenyns position, bakgrund och timeout |
| Restore Factory Settings (Återställ fabriksinställningar) | Återställer fabriksinställningarna |
| Screen Control (Skärmstyrning) | VGA <ul style="list-style-type: none">• Horisontell• Vertikal• Fas• Frekvens |
| | S-video, C-video, SOG, RGB, Komponent <ul style="list-style-type: none">• Horisontell• Vertikal |

SYNK (för VisionPro SYNK 26" trådlös LED-skärm)

| Status | Beskrivning |
|---|-------------|
| RX APP: XX.XX.XX RX MAC: XX.XX.XX.XX | Mottagare |
| TX APP: XX.XX.XX TX MAC: XX.XX.XX.XX | Sändare |
| WiFi SW: XXX-X.XX SIGNAL = Utmärkt, Bra, Dålig Standardområde: XXX FREKV: XXXX MHz | Sändare |

Information

| Menyval | Beskrivning |
|--|---|
| User Name Entry (Inmatning av användarnamn) | För in användarnamn som visas vid start |
| Serial Number (Serienummer) | Visar monitorns serienummer |
| Runtime (Körtid) | Visar aktuell enhets totala körtid |
| Input Format (Ingångsformat) | Visar aktuellt ingångsformat |

Obs! Värdena som visas på skärmen kan variera beroende på firmware-versionen och användarinställningar.

Felsökning

Innan du skickar tillbaka din monitor för service bör du gå igenom felsökningslistan nedan:

| Problem | Aktuell status | Åtgärd |
|---|---|--|
| Ingen bild | Lysdioden för ström lyser | Använd skärmens menysystem för att justera ljusstyrkan och kontrasten maximalt eller återställ dem till standardinställningarna. |
| | Lysdioden för ström lyser inte | Kontrollera att strömbrytaren framtill och baktill på monitorn är i läge PÅ. |
| | | Kontrollera att nätkabeln är korrekt ansluten till nätadaptern och till nätuttaget. |
| | | Kontrollera att nätaggregatet är helt anslutet och fungerar korrekt. |
| Lysdioden för ström blinkar | Röd | Monitor i viloläge. Tryck på valfri knapp för att väcka monitorn. |
| | Gul | Strömförsörjningen kan ha över- eller underspänning. |
| Onormal bild | För stor eller för liten bild, ingen video eller förskjutning av mittpunkten. | Använd skärmmenyn för att justera Fas, Frekvens, Horisontell och Vertikal inställning för att korrigera monitorns bild. |
| | | Justera inställningar i Scale Mode (Skalningsläge) |
| | | Endast för VGA-insignal: tryck på och håll ned kontrollratten i 1–2 sekunder för att omsynkronisera videomatningen. |
| | | Vänta några sekunder efter initial synkronisering av videosignaler eller stäng av och slå på skärmen. |
| Felmeddelande på skärmen | "Out of Range" (Utanför område) | Kontrollera att en godkänd videokälla är ansluten. |
| Kodchipsljusdioden i sändarens kodchip blinkar gult | Fel | Kontakta kundservice. |

Rengöring och underhåll



Varning

För att undvika elektriska stötar och eventuella livshotande skador ska monitorn och nätaggregatet kopplas bort från nätuttaget före rengöring.

Försiktighet

- Spreja inte rengöringsvätska direkt på monitorn eller nätaggregatet eftersom detta kan ge upphov till skador på produkten. Spreja på en duk innan du torkar av enheten.
- Monitorn eller nätaggregatet får inte nedsänkas i vätska eftersom detta kan ge upphov till skador på produkten.
- Använd inte frätande rengöringslösningar för att rengöra monitorn eller nätaggregatet eftersom detta kan ge upphov till skador på produkten.
- Sterilisera inte monitorn eller nätaggregatet eftersom detta kan ge upphov till skador på produkten.

Rengöring

Rengöra monitor eller nätaggregat:

1. Om skärmskyddet sitter på plats, ska det tas bort före rengöring.
2. **För VisionPro SYNK 26" trådlös LED-skärm:** Se till att sätta på locket på uttaget för kodchipset innan rengöring.
3. Anbringa normalt desinficeringsmedel eller ett mildt rengöringsmedel på en torr steril duk.
4. Torka av monitorn eller strömförsörjningen.
5. Var extra noggrann vid rengöring av monitorn. Överflödigt vätska eller droppar som tränger in i nedre delen av skärmen eller nätaggregatets anslutning kan orsaka skador på produkten.

Inspektion

Inspektera alltid produkten innan användning. Läs avsnittet Felsökning i detta dokument om något av följande tillstånd uppstår. Om produktens funktion inte är fullgod, avbryt användningen och kontakta din Stryker-representant.

- Ingen bild, förvriden bild eller oacceptabel bildkvalitet
- Kan inte startas
- Knappar och/eller rattar som inte fungerar som de ska eller inte fungerar alls
- Vid betydande fysiska skador på skärm eller tillbehör, inklusive undermåligt skärmutseende, skadade beläggningar, korrosion, onormala ljud, revor i kabeln, exponerade ledningar och/eller skador som förhindrar en säker montering
- Lysdioden för ström blinkar gult

Förväntad livslängd

Enhetens och tillbehörens livstid bestäms till stor del av slitage, rengöringsmetoder och skador från användningen. För att förlänga tiden mellan servicetillfällen, följ alltid instruktionerna om hantering och skötsel i denna användarhandbok och tillbehörens användarhandböcker.

Kassering



Enligt EU-direktiv 2012/19/EU om avfall som utgörs av eller innehåller elektrisk och elektronisk utrustning (WEEE) såsom ombearbetat, ska produkter och dess tillbehör insamlas separat för återvinning. De får inte kasseras som osorterat hushållsavfall.

Kontakta lokal distributör för information om kassering. Säkerställ att infekterad utrustning rengörs enligt instruktionerna för rengöring i denna bruksanvisning innan de lämnas till återvinning.

Kassera alla systemtillbehör i enlighet med sedvanliga institutionella rutiner för potentiellt kontaminerade objekt.

Rapportering av negativa händelser

Varje negativ händelse som har inträffat i samband med denna enhet ska rapporteras till Stryker och i Europeiska unionen till den behöriga myndigheten i den medlemsstat där den drabbade personen är bosatt.

Tekniska specifikationer

Monitor

| | |
|---|--|
| LCD-skärmpanel | 26" (661 mm) diagonalt (a-Si TFT aktiv matris-LCD) |
| Synkronisering | 2,5–5,0 Vpp separerad synkronisering |
| Punktbredd | 0,300 (H) x 0,300 (V) mm |
| Svarstid | <18 ms typ |
| Visningsvinkel | Höger/vänster/upp/ned 89 grader |
| Skärmfärger | 1 miljard färger (10 bit) |
| Inbyggd upplösning | 1920 (H) punkter x 1080 (V) linjer |
| VisionPro 26" LED-skärmens signaler | DVI, VGA, 3G/HD/SD-SDI (In/Ut), C-video/SOG, S-video, Komponent/RGB (Y/G, Pb/B, Pr/R, HS, VS), RS232 |
| VisionPro SYNK 26" trådlös LED-skärmens signaler | Trådlös digital RGB, DVI, S-Video, C-Video/SOG, RS232 och USB |
| Maximal pixelklocka | 165 MHz |

Elektriska specifikationer

| | |
|--------------------------------------|---|
| Strömadapter | Ingång: 100–240 V AC, 50–60 Hz, 2,5 A (2,5A - 1,5A) Utgång: 24 V DC, 6,25 A (högst 150 W) Modellnummer BPM150S24F11 |
| Strömförbrukning (ungefärlig) | 35–65 W |

Ström/märkspänning

Kontrollera att respektive nätsladd överensstämmer med lokala regler och standarder.

| | |
|-------------------------------|---|
| 110 V +/-10 V nätuttag | Välj en nätsladd som är minst 1,8 m lång, är UL-listad och C.S.A-certifierad, typ SJT eller SVT, 3-ledare, 18 AWG, och som avslutas i en helgjuten kontakt för sjukhusbruk 110 V +/-10 V, 15 A. |
| 220 V +/-20 V nätuttag | Välj en nätsladd som är internationellt harmoniserad och märkt "<HAR>", 3-ledare, minst 0,75 mm ² ledare 220 V +/- 20 V, 10 A med PVC-isolerat hölje. Sladden måste ha en helgjuten kontakt klassad för 220 V +/-20 V, 10 A. Sladden och kontakten måste vara lämpliga för medicinsk användning. |

Mått

| | |
|----------------------------------|-----------------------|
| Mått (B x H x D) | 660,4 x 442 x 86,4 mm |
| Vikt (ungefärlig) | 8,3 kg |
| VESA monteringsgränssnitt | VESA 100 x 100 mm |

Driftsförhållanden

Temperaturområde 10–40 °C

Relativ luftfuktighet 25–75 %

Transport- och lagringsförhållanden

Temperaturområde -18–60 °C

Relativ luftfuktighet 15–90 %

Klassifikationer och godkännanden

Klass 1-utrustning

Medicinsk utrustning med avseende på elektriska stötar, brandrisk och mekaniska risker endast i enlighet med UL 60601-1 och CAN/CSA C22.2 nr 601.1.

IP23: Skydd mot åtkomst till farliga delar från fingrar och liknande föremål, skydd mot inträngande vattenstänkt (mindre än 60° från vertikalt)

Kontinuerlig drift

Överensstämmelse

FCC-regler

VisionPro 26" LED-skärm:

FCC del 15 klass B

FCC-identifierare: QVXAMM261WTDS

VisionPro SYNK 26" trådlös LED-skärm:

FCC del 15 klass B

FCC-identifierare: QVXAMM261WTDSW

FCC del 15 klass C

FCC-identifierare: SSH-SYNKRX (Mottagarkort)

FCC-identifierare: SSH-SDMAN (Tillbehörskort)

IC-regler

VisionPro SYNK 26" trådlös LED-skärm:

IC: 4919C-SYNKRX (Mottagarkort)

IC: 4919C-SDMAN (Tillbehörskort)

Obs! Kontakta närmaste återförsäljare för Stryker Endoscopy för information om ändringar och nya produkter.

Elektromagnetisk kompatibilitet

Liksom annan elektrisk medicinsk utrustning kräver VisionPro 26" LED-skärm och VisionPro SYNK 26" trådlös LED-skärm speciella försiktighetsåtgärder för säkerställande av elektromagnetisk kompatibilitet med andra elektriska medicinska enheter. För att säkerställa elektromagnetisk kompatibilitet (EMK) måste monitorn installeras och användas i enlighet med den EMK-information som ges i den här handboken. Monitorn har utformats och testats för att uppfylla kraven i IEC 60601-1-2 gällande EMK med andra enheter.

Obs! Den här utrustningen är avsedd att användas i en professionell vårdmiljö. Den ska inte användas i ett RF-avskärmat rum för elektriska system för magnetisk resonanstomografi, där EM-störningar med hög intensitet förekommer.

Obs! Den här utrustningen är sannolikt inte känslig för störning orsakad av kirurgiska HF-instrument i den särskilda miljön nära ett aktivt kirurgiskt HF-instrument. Om störning från kirurgisk HF observeras ska utrustningens separationsavstånd justeras.



Varning

När utrustningen är ansluten till annan elektrisk utrustning kan strömläckaget öka. För att minimera det totala strömläckaget per patient ska alla system installeras i enlighet med IEC 60601-1-1.

Försiktighet!

Portabel och mobil RF-kommunikationsutrustning kan påverka monitorns normalfunktion. Använd inte andra kablar eller tillbehör än de som medföljer monitorn eftersom detta kan resultera i ökad elektromagnetisk emission eller försämrad immunitet mot sådana emissioner. Om monitorn används intill eller staplad ovanpå annan utrustning ska normal funktion hos monitorn kontrolleras och verifieras i den konfiguration den ska användas i, innan den används vid ett kirurgiskt ingrepp. Tabellerna nedan ger vägledning vid placeringen av monitorn.

Riktlinjer och tillverkarens deklARATION: Elektromagnetiska emissioner

VisionPro 26" LED-skärm och VisionPro SYNK 26" trådlös LED-skärm är avsedda att användas i den elektromagnetiska miljön som specificeras nedan. Det åligger köparen eller användaren av monitorn att säkerställa att den används i en sådan miljö.


| Emissionstest | Överensstämmelse | Elektromagnetisk miljö – riktlinjer |
|--|------------------|--|
| RF-emissioner CISPR 11 | Grupp 1 | Monitorn använder enbart RF-energi för sin interna funktion. RF-emissionerna är därför mycket låga och förorsakar sannolikt inte någon störning i elektronisk utrustning i närheten. |
| RF-emissioner CISPR 11 | Klass B | Monitorn är lämplig för användning i alla inrättningar, förutom bostäder och sådana inrättningar som är direkt anslutna till det allmänna lågspänningsnät som förser byggnader som används som bostäder med elektricitet, förutsatt att följande varning beaktas: |
| Övertonemissioner IEC 61000-3-2 | Klass D | |
| Spänningsfluktuationer/flimmer IEC 61000-3-3 | Överensstämmer | Varning! Detta system är endast avsett att användas av sjukvårdspersonal. Systemet kan orsaka radiointerferens eller störa driften av utrustning i närheten. Det kan bli nödvändigt att vidta justerande åtgärder, såsom att rikta om eller flytta systemet, eller skärma av platsen. |

| Riktlinjer och tillverkarens deklARATION — elektromagnetisk immunitet | | | |
|--|--|--|--|
| VisionPro 26" LED-skärm och VisionPro SYNK 26" trådlös LED-skärm är avsedda att användas i den elektromagnetiska miljön som specificeras nedan. Det åligger köparen eller användaren av monitorn att säkerställa att den används i en sådan miljö. | | | |
| Immunitetstest | IEC 60601 testnivå | Överensstämmelsenivå | Elektromagnetisk miljö – riktlinjer |
| Elektrostatisk urladdning (ESD) IEC 61000-4-2 | ±8 kV kontakt ±15 kV luft | ±8 kV kontakt ±15 kV luft | Golven ska vara av trä, betong eller keramiska plattor. Om golven är täckta med syntetiska material ska den relativa luftfuktigheten vara minst 30 %. |
| Elektriska snabba transienter IEC 61000-4-4 | ±2kV för nätanlutningar ±1 kV för in-/utgående anslutningar (om tillämpligt) | ±2 kV ledning till jord ±1 kV ledning till ledning (om tillämpligt) | Elnätet ska vara av normal kvalitet för kommersiella miljöer eller sjukhusmiljöer. |
| Stötpulser IEC 61000-4-5 | ±1 kV differentiallyäge ±2 kV normalläge | ±1 kV differentiallyäge ±2 kV normalläge | Elnätet ska vara av normal kvalitet för kommersiella miljöer eller sjukhusmiljöer. |
| Spänningsfall, korta avbrott och spänningsvariationer i nätaggregatet ingångsledningar IEC 61000-4-11 | 0 % U_T 0,5 cykel 0 % U_T 1 cykel 70 % U_T 25 cykler 0 % U_T 5 sek. | 0 % U_T 0,5 cykel 0 % U_T 1 cykel 70 % U_T 25 cykler 0 % U_T 5 sek. | Elnätet ska vara av normal kvalitet för kommersiella miljöer eller sjukhusmiljöer. Om användaren av sändaren behöver kontinuerlig drift under strömavbrott rekommenderas att sändaren drivs med en avbrottsfri strömkälla eller ett batteri. |
| Nätfrekvensens (50/60 Hz) magnetfält IEC 61000-4-8 | 30 A/m | 30 A/m | Nätfrekvensens magnetfält ska ligga på nivåer karakteristiska för typiska lokaler i vanlig kommersiell eller sjukhusmiljö. |
| Obs! U_T är nätspanningen (växelström) före tillämpning av testnivån. | | | |

Riktlinjer och tillverkarens uppgifter: Elektromagnetisk immunitet

VisionPro 26" LED-skärm och VisionPro SYNK 26" trådlös LED-skärm är avsedda att användas i de elektromagnetiska miljöer som specificeras nedan.

Det åligger köparen eller användaren av monitorn att säkerställa att den används i en sådan miljö.

| Immunitetstest | IEC 60601 testnivå | Överensstämmelsenivå | Elektromagnetisk miljö – riktlinjer |
|------------------------------------|-------------------------------|----------------------|---|
| Ledningsbunden RF IEC 61000-4-6 | 3 Vrms 150 kHz till 80 MHz | 3 V | Portabel och mobil RF-kommunikationsutrustning får inte användas närmare någon del av monitorerna, inkl. dess kablar, än det rekommenderade separationsavstånd som beräknats med ekvationen för sändarens frekvens. Rekommenderat separationsavstånd: $d = 2\sqrt{P}$ 80 MHz till 2,7 GHz Där P är sändarens maximala uteffekt i Watt (W) enligt sändarens tillverkare och d är det rekommenderade separationsavståndet i meter (m). Fältstyrkor från fasta RF-sändare, som bestäms med en elektromagnetisk besiktning av platsen (a), ska vara lägre än överensstämmelsenivån inom varje frekvensintervall (b). Störning kan inträffa i närheten av utrustning som är märkt med följande symbol:  |
| Utstrålad RF IEC 61000-4-3 | 10 V/m 80 MHz till 2,7 GHz | 10 V/m | |

(a) Fältstyrkor från fasta sändare, t.ex. basstationer för (mobila/sladdlösa) telefoner och mobila landradioapparater, amatörradio, AM- och FM-radiosändning och TV-sändning kan inte teoretiskt förutses med säkerhet. En elektromagnetisk besiktning av platsen bör övervägas för en bedömning av den elektromagnetiska miljön med hänsyn till fasta RF-sändare. Om den uppmätta fältstyrkan där VisionPro 26" LED-skärm och VisionPro SYNK 26" trådlös LED-skärm används överstiger ovanstående tillämpliga RF-överensstämmelsenivå, ska man kontrollera att monitorn och sändaren fungerar normalt. Om onormal funktion observeras, kan det bli nödvändigt att vidta ytterligare åtgärder genom att t.ex. rikta om eller flytta monitorn.

(b) Över frekvensintervallet 150 kHz till 80 MHz ska fältstyrkorna vara lägre än 3 V/m.

| Testade specifikationer för immunitet mot trådlös RF-kommunikationsutrustning | | | | | | |
|--|------------|---|---|-----------------|-------------|---------------------------|
| Testfrekvens (MHz) | Band (MHz) | Tjänst | Modulering | Max. effekt (W) | Avstånd (m) | Immunitets-testnivå (V/m) |
| 385 | 380-390 | TETRA 400 | Puls-modulering 18 Hz | 1.8 | 0.3 | 27 |
| 450 | 430-470 | GMRS 460, FRS 460 | FM ± 5 kHz avvikelse 1 kHz sinus | 2 | 0.3 | 28 |
| 710 | 704-787 | LTE-band 13, 17 | Puls-modulering 217 Hz | 0.2 | 0.3 | 9 |
| 745 | | | | | | |
| 780 | | | | | | |
| 810 | 800-960 | GSM 800/900, TETRA 800, iDEN 820, CDMA 850, LTE-band 5 | Puls-modulering 18 Hz | 2 | 0.3 | 28 |
| 870 | | | | | | |
| 930 | | | | | | |
| 1720 | 1700-1990 | GSM 1800, CDMA 1900, GSM 1900, DECT, LTE-band 1, 3 4, 25, UMTS | Puls-modulering 217 Hz | 2 | 0.3 | 28 |
| 1845 | | | | | | |
| 1970 | | | | | | |
| 2450 | 2400-2570 | Bluetooth, WLAN, 802.11 b/g/n, RFID 2450, LTE-band 7 | Puls-modulering 217 Hz | 2 | 0.3 | 28 |
| 5240 | 5100-5800 | WLAN 802.11 a/n | Puls-modulering 217 Hz | 0.2 | 0.3 | 9 |
| 5500 | | | | | | |
| 5785 | | | | | | |
| Obs! Bärbar RF-kommunikationsutrustning ska inte användas närmare VisionPro 26" LED-skärm och VisionPro SYNK 26" trådlös LED-skärm än 30 cm. I annat fall kan försämring av denna utrustnings prestanda uppstå. | | | | | | |
| Stryker deklarerar härmed att VisionPro SYNK 26" trådlös LED-skärm överensstämmer med de grundläggande kraven och övriga relevanta krav i direktiv 1999/5/EG. En kopia av försäkran om överensstämmelse kan erhållas från Stryker Endoscopy, 5900 Optical Court, San Jose, CA, 95138, USA. | | | | | | |

Symboler och definitioner

Följande symboler återfinns på produkten, dess etiketter eller förpackningar. Nedan följer en symbolförklaring:



Läs bruksanvisning



Att. Se bruksanvisningen



Serienummer



Antal



Temperaturområde



Luftfuktighetsområde



Europeisk auktoriserad representant



Ursprungsland



Katalognummer



Likström



Tillverkningsdatum



Laglig tillverkare



Testad för överensstämmelse med FCC klass B- och C-standarder



Trådlös överföring



Enligt federal lag (USA) får denna produkt endast säljas av läkare eller på läkares ordination



Enheten uppfyller Europeiska unionens krav på medicintekniska produkter



Enhetens återvinningskod (gäller i Kina)



Obligatorisk certifieringsmärkning för Kina

IP23

Höljet ger skydd mot:

- Åtkomst till farliga delar från fingrar och liknande föremål
- Vattenstänk (mindre än 60° från vertikalt)



Överensstämmer med lagar och förordningar i Australien



Medicinsk utrustning enligt AAMI ES60601-1 och CSA C22.2 nr 60601-1-08-CAN/CSA med avseende på elektriska stötar, brandrisk och mekaniska risker



Denna produkt innehåller elektriskt avfall eller elektronisk utrustning. Den får inte kasseras som osorterat kommunalt avfall utan måste samlas in separat.



Medicinteknisk produkt i Europeiska Unionen

Spis treści

| | |
|--|---------------|
| Ostrzeżenia i przestrogi | PL-347 |
| Informacje o urządzeniu | PL-350 |
| Przeznaczenie i zastosowania..... | PL-351 |
| Przeciwwskazania | PL-351 |
| Zawartość opakowania..... | PL-352 |
| Elementy urządzenia | PL-353 |
| Konfiguracja | PL-358 |
| Połączenia..... | PL-358 |
| Podstawowa konfiguracja wideo | PL-360 |
| Obsługa | PL-361 |
| Menu ekranowe (OSD) | PL-361 |
| Podmenu menu ekranowego..... | PL-363 |
| Rozwiązywanie problemów..... | PL-366 |
| Czyszczenie i konserwacja | PL-367 |
| Dane techniczne | PL-369 |
| Zgodność elektromagnetyczna | PL-371 |
| Symbole i definicje | PL-375 |

Ostrzeżenia i przestrogi

Należy uważnie przeczytać niniejszy podręcznik i ściśle się stosować do zawartych w nim zaleceń. Wyrazy „ostrzeżenie”, „przeestroga” oraz „uwaga” mają określone znaczenie, z którym należy się zapoznać:

Ostrzeżenie: Wskazuje środki, które należy podjąć, aby uniknąć poważnych obrażeń ciała użytkownika oraz pacjenta.

Przeestroga: Wskazuje na ryzyko w odniesieniu do sprzętu. Zignorowanie przestróg może spowodować uszkodzenie produktu.

Uwaga: Zawiera specjalne informacje niezbędne do wyjaśnienia instrukcji bądź dodatkowe przydatne informacje.

Ostrzeżenia

Aby uniknąć poważnych obrażeń ciała użytkownika i pacjenta, należy zastosować się do poniższych ostrzeżeń.

1. Przed użyciem tego urządzenia należy dokładnie przeczytać niniejszy podręcznik i zapoznać się z jego treścią.
2. Przepisy federalne (w USA) zezwalają na sprzedaż tego urządzenia wyłącznie lekarzowi lub na jego polecenie.
3. Należy ostrożnie rozpakować urządzenie i sprawdzić, czy nie uległo uszkodzeniu podczas dostawy.
4. To urządzenie jest niejałowe, dlatego nie należy umieszczać go w polu jałowym.
5. Nie wolno stawiać urządzenia ani innych ciężkich przedmiotów na przewodzie zasilającym. Uszkodzenie przewodu może spowodować pożar lub porażenie prądem elektrycznym.
6. Aby uniknąć porażenia prądem elektrycznym, nie należy zdejmować pokrywy urządzenia.
7. Urządzenia nie należy używać w pobliżu innych urządzeń ani ustawiać w stosie urządzeń. Jeśli takie ustawienie urządzenia jest konieczne, należy je obserwować, aby sprawdzić prawidłowość jego działania w określonej konfiguracji.
8. Przed przystąpieniem do zabiegu chirurgicznego należy sprawdzić urządzenie. To urządzenie zostało przed wysyłką dokładnie sprawdzone przez producenta.
9. Nie należy podejmować prób samodzielnych napraw lub regulacji, które nie zostały szczegółowo opisane w niniejszym podręczniku. Należy dopilnować, aby regulacje, modyfikacje i/lub naprawy były wykonywane wyłącznie przez firmę Stryker Endoscopy.
10. Panel nie powinien mieć styczności z ciałami stałymi. W przypadku takiego kontaktu należy odłączyć urządzenie od zasilania, a przed ponownym rozpoczęciem pracy zlecić sprawdzenie urządzenia wykwalifikowanemu personelowi.
11. Należy unikać kontaktu urządzenia z cieczami, jeśli jest ono używane w otoczeniu pacjenta.
12. Stosowanie z tym urządzeniem przewodów i/lub akcesoriów innych niż podano w dokumentacji może spowodować zwiększenie emisji lub zmniejszenie odporności urządzenia na te emisje.

Przestrogi

1. Urządzenie należy podłączać do zasilacza sieciowego połączonego ze standardowym szpitalnym przewodem zasilającym, który musi być podłączony do gniazda sieciowego z uziemieniem, aby zapewnić niezawodność uziemienia.
2. Urządzenia nie należy poddawać sterylizacji, ponieważ spowoduje ona uszkodzenie jego delikatnych elementów elektronicznych.
3. Z wyświetlaczem należy używać wyłącznie odpowiedniego zasilacza przeznaczonego dla wyświetlaczy chirurgicznych. Dokładnie zabezpieczyć miejsce połączenia przewodu zasilającego prądu stałego z przedłużaczem.
4. W żadnym wypadku nie należy używać urządzenia bezpośrednio po przetransportowaniu go z zimnego do ciepłego pomieszczenia.
5. W celu podłączenia do źródła zasilania należy użyć załączonej wtyczki, odpowiedniej dla określonego gniazda, zgodnie z informacjami w części „Dane techniczne” w niniejszym podręczniku.
6. Jeśli urządzenie nie będzie używane przez dłuższy czas, należy odłączyć zasilanie. Aby odłączyć przewód, należy najpierw odkręcić śruby zabezpieczające wtyczkę, a następnie, pociągając za nią, wyciągnąć przewód. Nie wolno ciągnąć za sam przewód.
7. Nie należy narażać urządzenia na działanie wilgoci ani stosować płynnych środków czyszczących bezpośrednio na jego ekran. Należy rozpylić środek czyszczący na miękką szmatkę i czyścić delikatnie. Więcej informacji na ten temat zawiera część „Czyszczenie i konserwacja” w niniejszym podręczniku.
8. Aby zapobiec wzrostowi temperatury wewnątrz urządzenia, należy zapewnić swobodny obieg powietrza. Nie należy ustawiać urządzenia na powierzchniach (dywanach, kocach itd.) lub w pobliżu materiałów (zasłon, firanek), które mogą zablokować otwory wentylacyjne. Urządzenie jest chłodzone przez naturalny obieg powietrza i nie posiada wentylatora.
9. Nie wolno dotykać pacjenta złączami sygnału wejścia lub wyjścia. Sprzęt ze złączami SIP/SOP powinien być zgodny ze zharmonizowaną normą krajową IEC 60601-1 i/lub IEC 60601-1-1. W przeciwnym wypadku kombinacja ta powinna zostać oceniona pod kątem bezpieczeństwa.
10. Sposób zapewnienia zgodności elektromagnetycznej opisano w części „Zgodność elektromagnetyczna” w niniejszym podręczniku. Wyświetlacz LED VisionPro 26" (0240-031-020) oraz bezprzewodowy wyświetlacz LED VisionPro SYNK 26" (0240-031-000) należy zainstalować i użytkować zgodnie z informacjami dotyczącymi zgodności elektromagnetycznej (EMC) podanymi w niniejszym podręczniku.
11. Należy zwracać szczególną uwagę na zawarte w niniejszym podręczniku instrukcje dotyczące czyszczenia urządzenia. Niezastosowanie się do nich może spowodować uszkodzenie urządzenia.
12. Nie należy umieszczać urządzenia w miejscu narażonym na działanie światła słonecznego, nadmiernej ilości kurzu, mechaniczne drgania lub wstrząsy.
13. Nie należy ustawiać przyrządu w sposób utrudniający odłączenie przewodu zasilającego od gniazda zasilania.
14. Nie używać, gdy szklany ekran urządzenia jest skierowany w dół.

15. Należy ostrożnie obchodzić się z urządzeniem. Nie wolno uderzać ani drapać ekranu.
16. Zmiany lub modyfikacje, które nie zostały wyraźnie zaaprobowane przez podmiot odpowiedzialny za zgodność z normami, mogą spowodować utratę przez użytkownika prawa do korzystania z niniejszego urządzenia.
17. **Uwaga: Sprawdzono i potwierdzono zgodność tego urządzenia z ograniczeniem dla urządzeń cyfrowych klasy B, zgodnie z częścią 15 zasad FCC. Wspomniane wymagania ustalono w celu zapewnienia odpowiedniego zabezpieczenia przed szkodliwym oddziaływaniem w środowisku mieszkalnym. Urządzenie wytwarza, wykorzystuje oraz może wypromieniowywać energię o częstotliwości radiowej. Jeżeli nie zostało zainstalowane i nie jest użytkowane zgodnie ze wskazówkami, może powodować szkodliwe zakłócenia komunikacji radiowej. Nie ma jednak żadnej pewności, że tego typu oddziaływania nie powstaną w konkretnych warunkach. Aby to sprawdzić, należy wyłączyć i ponownie włączyć urządzenie. Aby zlikwidować niepożądane zakłócenia, użytkownik może podjąć następujące działania:**
 - Zmienić ułożenie lub położenie urządzenia odbiorczego.
 - Zwiększyć odległość pomiędzy poszczególnymi elementami urządzenia.
 - Podłączyć urządzenie do gniazda w obwodzie innym niż ten, do którego podłączono inne urządzenie lub urządzenia.
 - Zwrócić się o pomoc do producenta lub właściwego technika serwisu.

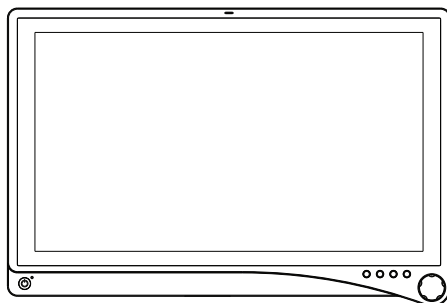
Nieprzestrzeganie tych ostrzeżeń i przestróg spowoduje unieważnienie gwarancji.

Produkt zawiera odpadowy sprzęt elektryczny lub elektroniczny. Nie może być składowany na niesortowanych składowiskach odpadów komunalnych — musi być gromadzony oddzielnie.

Informacje o urządzeniu

Wyświetlacz LED VisionPro 26"

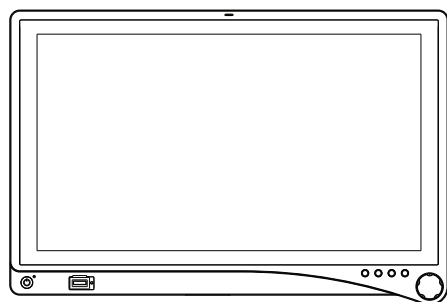
Nr kat.: 0240-031-020



Wyświetlacz LED VisionPro 26" jest to panoramiczny wyświetlacz LED do zastosowań chirurgicznych, obsługujący maksymalną rozdzielczość WUXGA (1920 × 1200). Wyświetlacz obsługuje następujące wejściowe sygnały wideo: cyfrowy sygnał RGB, analogowy sygnał RGB, sygnał SDI (Serial Digital Interface), sygnał komponentowy (YPbPr/RGBS), S-video oraz C-video/SOG. Obsługuje również komunikację szeregową przez port RS232.

Bezprzewodowy wyświetlacz LED VisionPro SYNK 26"

Nr kat.: 0240-031-000



Bezprzewodowy wyświetlacz LED VisionPro SYNK 26" może być stosowany z opcjonalnym nadajnikiem SYNK (0240-031-010 lub 0240-031-011), umożliwiającym odbieranie sygnału wideo w dużej rozdzielczości poprzez połączenie radiowe.

Wyświetlacz obsługuje następujące wejściowe sygnały wideo: DVI, S-Video oraz C-Video/SOG. Po włączeniu funkcji komunikacji bezprzewodowej wyświetlacz obsługuje wejściowy sygnał cyfrowy wideo RGB. Wyświetlacz obsługuje również port USB oraz komunikację szeregową przez port RS232.

Uwaga: Funkcję komunikacji bezprzewodowej w wyświetlaczu bezprzewodowym LED VisionPro SYNK 26" można włączyć tylko przy zastosowaniu nadajnika SYNK.

Szczegółowe informacje i instrukcje dotyczące stosowania bezprzewodowego nadajnika SYNK oraz funkcji komunikacji bezprzewodowej w wyświetlaczu bezprzewodowym LED VisionPro SYNK 26" można znaleźć w instrukcji obsługi systemu bezprzewodowego SYNK (P21693).

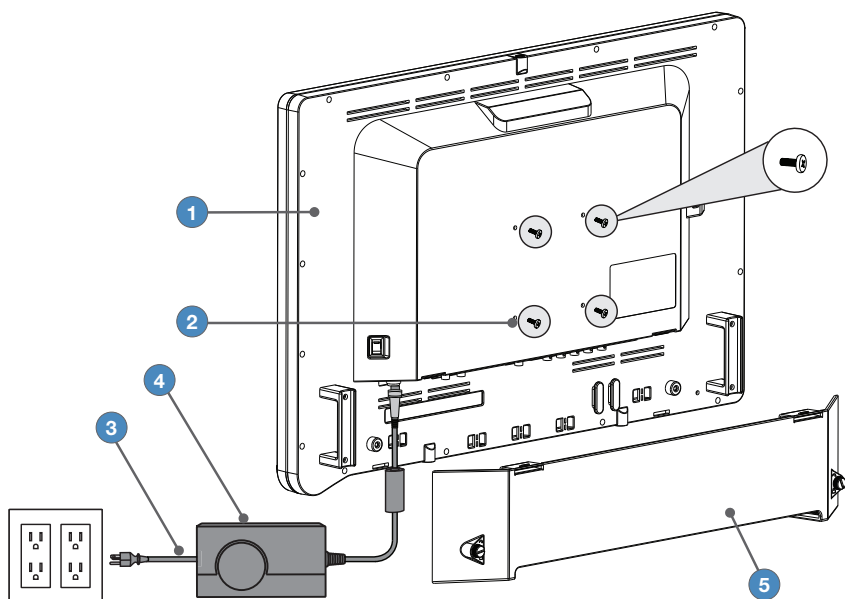
Przeznaczenie i zastosowania

Bezprzewodowy wyświetlacz LED VisionPro SYNK 26" oraz wyświetlacz LED VisionPro 26" są przeznaczone do pokazywania obrazu w trakcie zabiegów chirurgicznych, takich jak artroskopia (chirurgia ortopedyczna), laparoscopia (chirurgia ogólna i ginekologiczna), torakoscopia, endoscopia (chirurgia ogólna, gastroenterologiczna i laryngologiczna) oraz zabiegów chirurgii ogólnej. Wyświetlacz jest niejadalnym urządzeniem wielokrotnego użytku, nieprzeznaczonym do stosowania w polu jałowym. Powinni z niego korzystać wykwalifikowani lekarze, posiadający kompletną wiedzę na temat podanych zabiegów chirurgicznych.

Przeciwwskazania

Nie są znane przeciwwskazania do stosowania tego urządzenia.

Zawartość opakowania



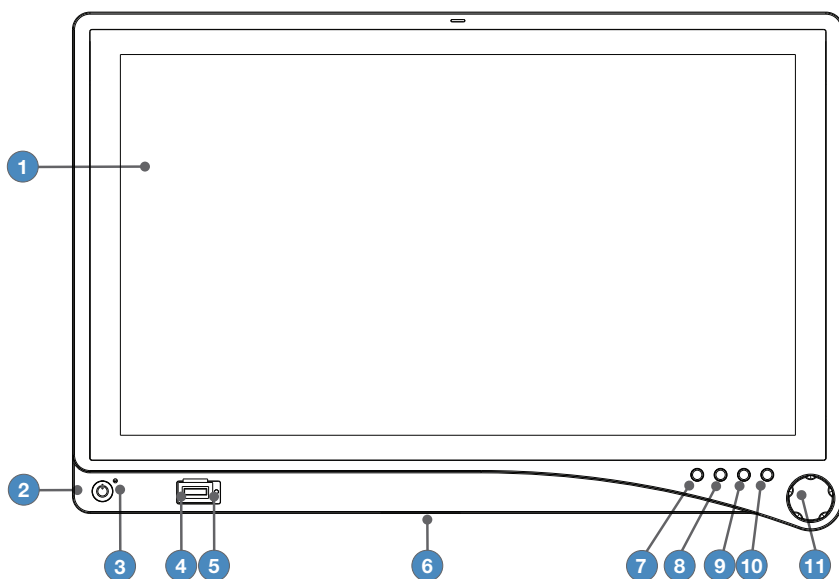
| Numer elementu na rysunku | Numer części | Zawartość opakowania |
|---------------------------|------------------------------|---|
| 1 | 0240-031-020 0240-031-000 | Wyświetlacz LED VisionPro 26" oraz bezprzewodowy wyświetlacz LED VisionPro SYNK 26" |
| 2 | – | Śruby M4 × 16 mm VESA (4) |
| 3 | – | Przewód zasilający prądu przemiennego z atestem szpitalnym |
| 4 | 0240-031-004 | Zasilacz do zastosowań medycznych |
| 5 | – | Ośłona przewodów |

| Numer części | Aksesoria opcjonalne |
|--------------|---|
| 0240-031-002 | Ośłona wyświetlacza VisionPro 26" |
| 0240-031-004 | Zasilacz do zastosowań medycznych |
| 0240-031-010 | Bezprzewodowy nadajnik SYNK |
| 0240-030-951 | Przedłużacz przewodu zasilającego prądem stałym 4,5 m (5-stykowy) |
| 0240-030-952 | Przedłużacz przewodu zasilającego prądem stałym 23 m (5-stykowy) |

Elementy urządzenia

Panel przedni

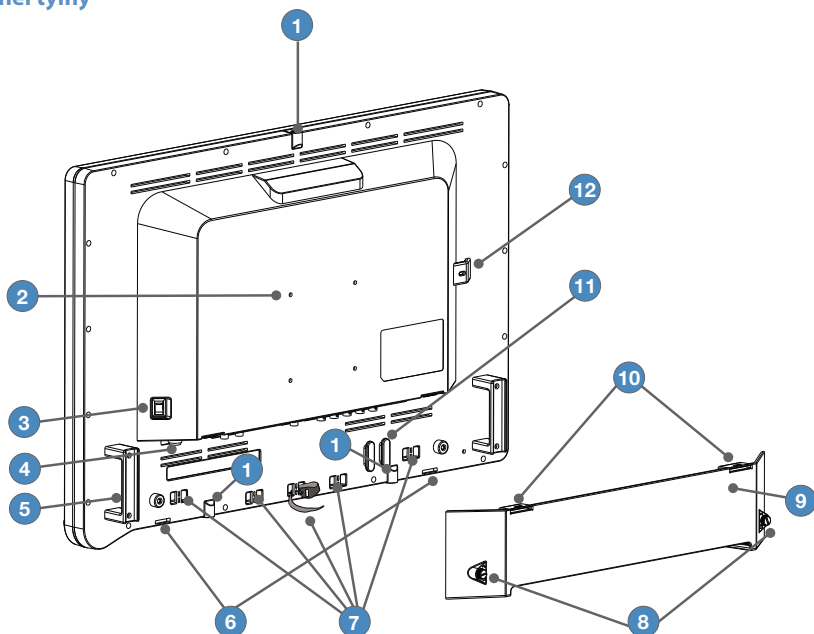
Wyświetlacz można obsługiwać przy użyciu obrotowego elementu sterującego, umieszczonego na panelu przednim. Poniżej zamieszczono listę elementów sterujących wyświetlacza oraz ich funkcji.



- | | |
|--|--|
| 1. Ekran wyświetlacza | Wyświetla obraz wideo. |
| 2. Wyłącznik zasilania | Włącza lub wyłącza wyświetlacz. |
| 3. Kontrolka zasilania | Pokazuje bieżący stan urządzenia: Zielona — wyświetlacz jest włączony lub znajduje się w trybie wygaszacza ekranu Miga na czerwono — wyświetlacz znajduje się w trybie uśpienia Miga na bursztynowo — zbyt wysokie lub zbyt niskie napięcie |
| 4. Gniazdo tokena (beprzewodowy wyświetlacz LED VisionPro SYNK 26") | Miejsce umieszczania tokena służącego do nawiązania połączenia bezprzewodowego z nadajnikiem. |
| 5. Dioda LED tokena (beprzewodowy wyświetlacz LED VisionPro SYNK 26") | Zielona — nawiązano połączenie Bursztynowa — trwa uruchamianie Miga na bursztynowo — błąd, należy skontaktować się z przedstawicielem serwisu |

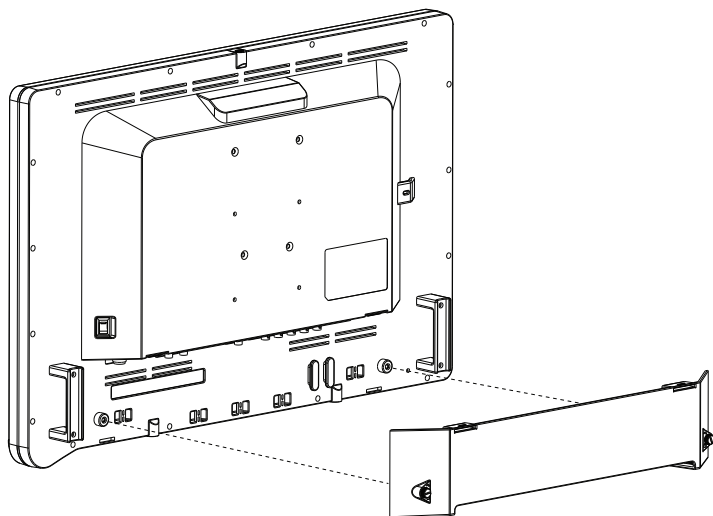
- 6. Złącze pomocnicze** Umożliwia podłączanie urządzeń pomocniczych.
- 7. Audio/PIP** **Wyświetlacz LED VisionPro 26":**
Otwiera menu ustawień opcji Obraz w obrazie.
Bezprzewodowy wyświetlacz LED VisionPro SYNK 26":
Nacisnąć dwa razy w celu wyświetlenia menu ustawień opcji Obraz w obrazie.
Uwaga: Funkcja obsługi dźwięku nie jest obecnie dostępna.
- 8. Jasność** Otwiera menu ustawień opcji Jasność.
- 9. Charakterystyka kolorów** Otwiera menu opcji Charakterystyka kolorów.
- 10. Wejście** Otwiera menu opcji Wejście.
- 11. Obrotowy element sterujący** Zapewnia dostęp do menu ekranowego i umożliwia przeglądanie jego funkcji.

Panel tylny



- 1. Gniazda mocowania akcesoriów (3)** Miejsce mocowania dodatkowych akcesoriów.
- 2. Otwory montażowe VESA** Umożliwiają montaż wyświetlacza.
- 3. Wyłącznik zasilania (główny)** Służy do włączania i wyłączania zasilania prądem stałym.
- 4. Złącze zasilania** Umożliwia połączenie z zasilaniem prądem stałym 24 V.
- 5. Uchwyty** Ułatwiają ustawianie wyświetlacza.
Przeostroga: Uchwyty nie służą do przenoszenia całego ciężaru wyświetlacza.
- 6. Zawiasy osłony przewodów** Służą do mocowania spodu osłony przewodów do obudowy wyświetlacza.
- 7. Paski z rzepem** Służą do porządkowania przewodów.
- 8. Śruby osłony przewodów** Służą do mocowania osłony przewodów do obudowy wyświetlacza; należy je dokręcać lub poluzowywać ręcznie.
- 9. Osłona przewodów** Obudowa zakrywająca przewody.
- 10. Zatrzaski osłony przewodów** Służą do mocowania górnej części osłony przewodów do obudowy wyświetlacza.
- 11. Występ do nawijania przewodu** Element, wokół którego można owinąć przewód.
- 12. Element blokady** Element, do którego można przymocować mechanizm blokujący lub linkę bezpieczeństwa w celu zabezpieczenia urządzenia.

Oslona przewodów



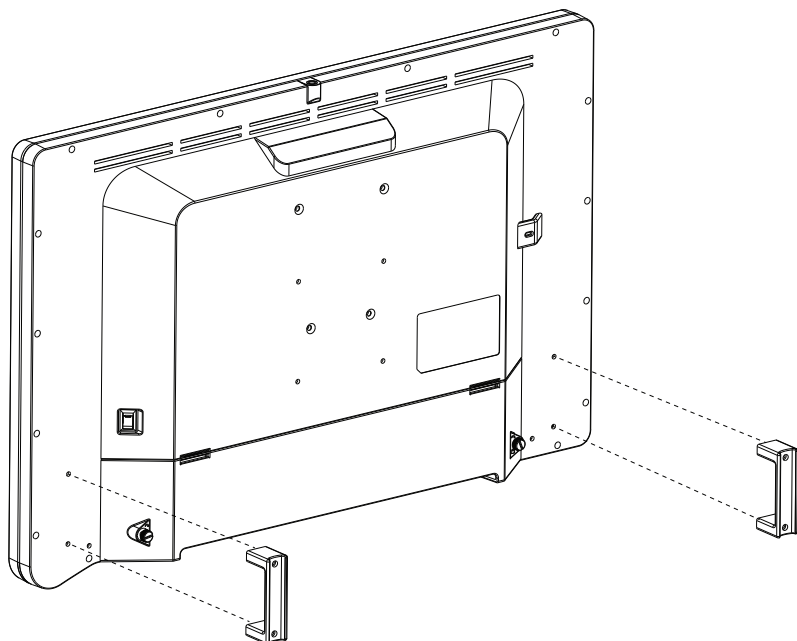
Zakładanie osłony przewodów

1. Wyrównać lewy i prawy zawias osłony przewodów z dolną krawędzią tylnej części wyświetlacza.
2. Zatrzasknąć górną część osłony przewodów na zaciskach wyrównujących.
3. Obrócić śruby palcami w kierunku zgodnym z ruchem wskazówek zegara, aby przykręcić osłonę przewodów do wyświetlacza i ją zablokować.

Zdejmowanie osłony przewodów

1. Obrócić palcami śruby w kierunku przeciwnym do ruchu wskazówek zegara, aby je poluzować.
2. Po całkowitym poluzowaniu śrub nacisnąć lewy i prawy zacisk, a następnie pociągnąć osłonę przewodów do siebie.
3. Zdjąć osłonę przewodów z lewego i prawego zawiasu.

Uchwyty wyświetlacza



Przeostoga: Uchwyty służą do ustawiania wyświetlacza; nie służą one do jego przenoszenia. Uchwyty nie powinny przenosić całego ciężaru wyświetlacza.

Odłączanie uchwytów wyświetlacza

1. Za pomocą klucza imbusowego 3 mm poluzować dwie śruby M4 × 30 mm i ostrożnie pociągnąć za uchwyt, odłączając go od wyświetlacza.

Montowanie uchwytów wyświetlacza

1. Ustawić uchwyty w jednej linii z otworami na śruby w tylnej obudowie wyświetlacza.
2. Za pomocą klucza imbusowego 3 mm wkręcić dwie śruby M4 × 30 mm w celu przymocowania uchwytu.

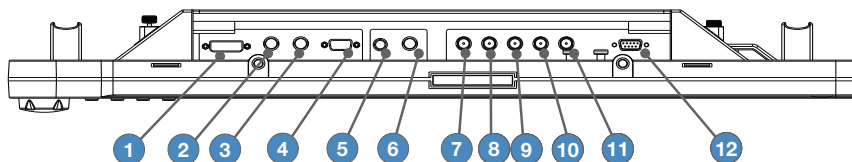
Konfiguracja

Firma Stryker Endoscopy traktuje szkolenie instruktażowe lub doskonalenie jako integralną część zakupu tego urządzenia. Lokalny przedstawiciel handlowy firmy Stryker Endoscopy przeprowadzi co najmniej jedno szkolenie w zakresie konfigurowania urządzenia oraz przekaze nabywcy i personelowi instrukcje obsługi i konserwacji urządzenia. Aby zaplanować takie szkolenie, należy skontaktować się z lokalnym przedstawicielem firmy Stryker Endoscopy po odebraniu urządzenia.

Połączenia

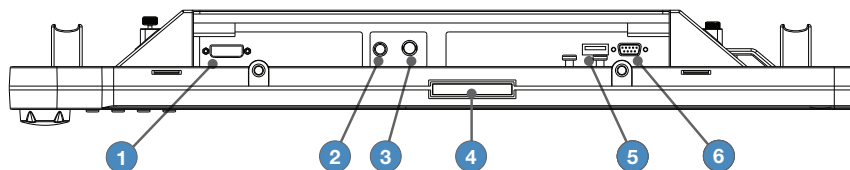
Gniazda połączeń wyświetlacza LED VisionPro 26"

Przewody wejściowego i wyjściowego sygnału wideo podłącza się do wejść z tyłu wyświetlacza, zgodnie z poniższym schematem:



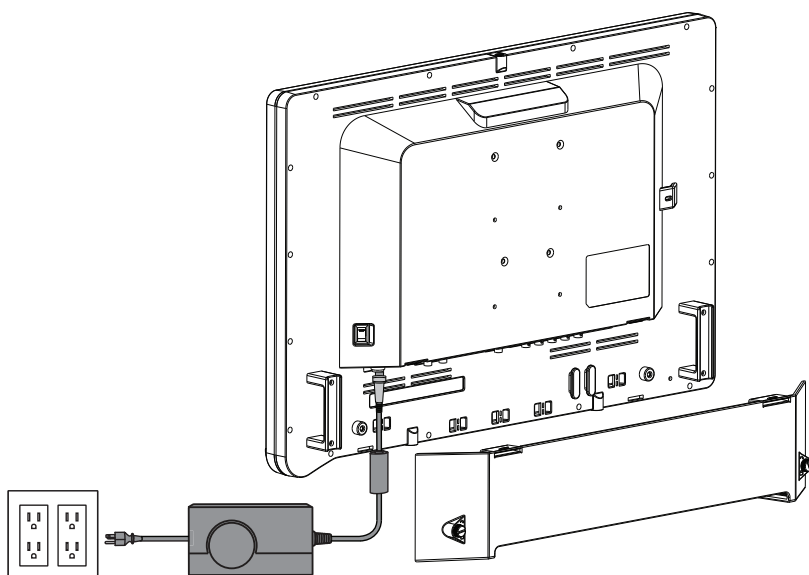
- | | |
|--------------------------------------|------------|
| 1. DVI | 7. R/Pr |
| 2. 3G/HD/SD Gniazdo wejściowe SDI | 8. G/Y |
| 3. 3G/HD/SD Gniazdo wyjściowe SDI | 9. B/Pb |
| 4. VGA | 10. H-sync |
| 5. S-Video | 11. V-sync |
| 6. C-Video/SOG | 12. RS232 |

Gniazda połączeń bezprzewodowego wyświetlacza LED VisionPro 26"



- | | |
|----------------|----------------------|
| 1. DVI | 4. Złącze pomocnicze |
| 2. S-Video | 5. USB |
| 3. C-Video/SOG | 6. RS232 |

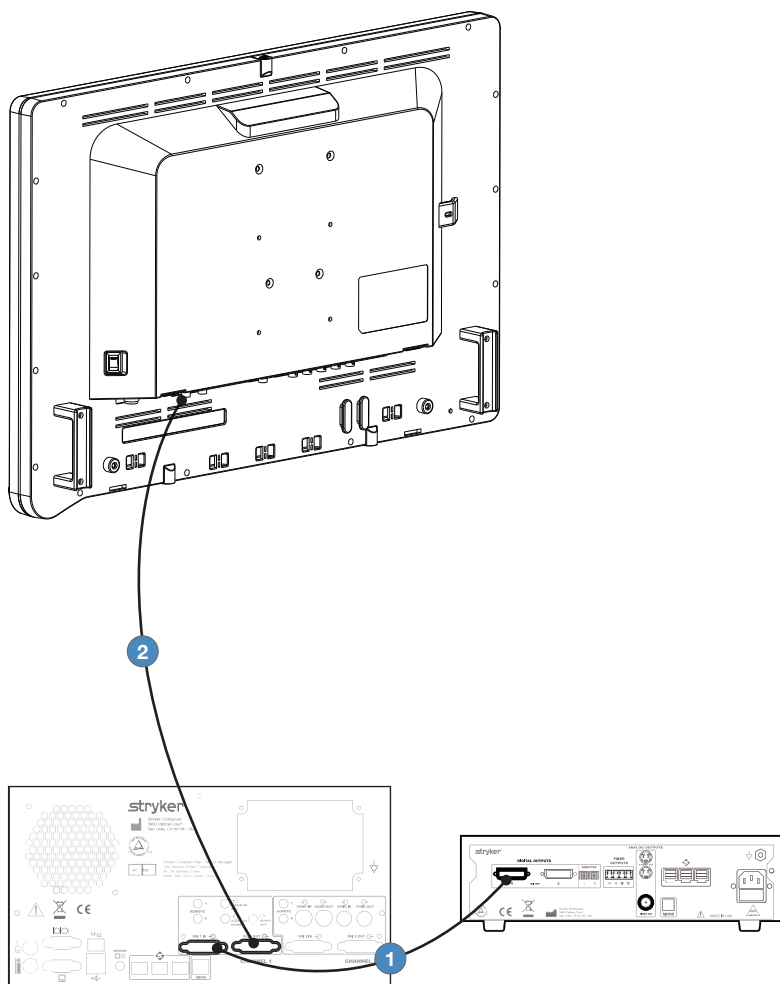
Podłączanie przewodu zasilającego



1. Podłączyć zasilacz do wejścia 24 V wyświetlacza.
2. Podłączyć przewód zasilający prądu przemiennego do zasilacza*.
3. Podłączyć do gniazda sieciowego za pomocą dostarczonego standardowego szpitalnego przewodu zasilającego.
4. (Opcjonalnie, nie pokazano) Podłączyć przedłużacz między zasilaczem i wyświetlaczem.
5. Założyć osłonę przewodów.

* Informacje dotyczące zasilacza: Numer modelu: BPM150S24F11, producent: Bridgepower Corp.

Podstawowa konfiguracja wideo



1. Połączyć wyjście 1 wideo kamery do wyjścia DVI systemu SDC.
2. Połączyć wyjście 1 systemu SDC za pomocą wyjścia DVI z wejściem DVI wyświetlacza.

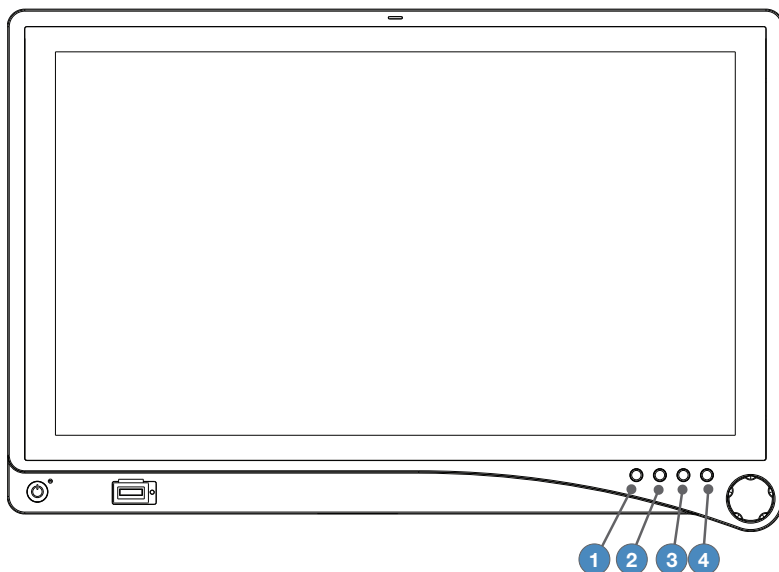
Uwaga: Firma Stryker zaleca stosowanie złącza zapasowego dla kamery.

Obsługa

Wyświetlacz można obsługiwać przy użyciu obrotowego elementu sterującego oraz czterech przycisków znajdujących się na panelu przednim. Poniżej zamieszczono listę elementów sterujących wyświetlacza oraz ich funkcji.

Menu ekranowe (OSD)

Dostęp do menu ekranowego



Obsługa czterech przycisków na panelu przednim:

- 1. Audio/PIP (bezprzewodowy wyświetlacz LED VisionPro SYNK 26"):**
 - Nacisnąć dwa razy w celu włączenia opcji Tryb obrazu: Obraz w obrazie, Obraz przy obrazie, Obraz na obrazie
- 2. PIP (wyświetlacz LED VisionPro 26"):**
 - Nacisnąć w celu włączenia opcji Tryb obrazu: Obraz w obrazie, Obraz przy obrazie, Obraz na obrazie
- 3. Jasność:** Aktywuje menu ustawień opcji Jasność.
- 4. Charakterystyka kolorów:** Aktywuje menu opcji Charakterystyka kolorów.
- 5. Wejście:** Aktywuje menu Wejście.

Za pomocą obrotowego elementu sterującego wybierać opcje ekranowego menu po ich uaktywnieniu:

- **Naciśnięcie** — otwarcie/wybór menu ekranowego.
- **Obrót w prawo/w lewo** — gdy jest wyświetlane menu ekranowe, zwiększenie/zmniejszenie wartości wybranego parametru o jeden.
- **Naciśnięcie i przytrzymanie** — zamknięcie menu ekranowego.

Korzystanie z menu ekranowego

Menu ekranowe wyświetlacza ułatwia przeglądanie różnych menu urządzenia.

1. Naciśnięcie **obrotowego elementu sterującego** uaktywnia menu ekranowe.
2. Obracanie **obrotowym elementem sterującym** umożliwia poruszanie się w górę i w dół menu.
Wybrany parametr jest podświetlany.
3. Naciśnięcie **obrotowego elementu sterującego** powoduje przejście do kolejnego poziomu menu ekranowego.
4. Obracanie **obrotowym elementem sterującym** umożliwia zwiększenie lub zmniejszenie wartości wybranego parametru albo dokonanie wyboru spośród różnych opcji.
5. Wyjście z drugiego lub trzeciego poziomu menu ekranowego jest możliwe po wybraniu opcji Exit (Wyjście). Naciśnięcie i przytrzymanie **obrotowego elementu sterującego** powoduje zamknięcie menu ekranowego. Menu ekranowe zamyka się automatycznie, jeśli element sterujący nie będzie używany przez ustalony fabrycznie okres. Czas ten można zmienić.

Podmenu menu ekranowego

Specjalty (Charakterystyka kolorów)

| Pozycja menu | Opis | Zakres |
|---|---|------------------------|
| Color temperature (Temperatura barwowa)* | Jako temperaturę barwową można wybrać opcję Lap A (Lap. A), Lap B (Lap. B), Arthro A (Art. A), Arthro B (Art. B), Standard (Standardowa), PACS (PACS), NORM (Norm.), ENT (Laryng.), GYN (Ginekol.). | — |
| Red (Czerwony) | Balans koloru czerwonego | -128–127 |
| Green (Zielony) | Balans koloru zielonego | -128–127 |
| Blue (Niebieski) | Balans koloru niebieskiego | -128–127 |
| Gamma | Wartość współczynnika gamma | 0,1–2,5; S0, S1, S2 |

* Regulacja temperatury barwowej RGB jest dostępna tylko dla ustawień Standard, Arth (Art.) i Lap. Regulacja ustawień PACS i Norm (Norma) jest dostępna wyłącznie w przypadku sygnału SOG.

Audio (Dźwięk) (menu nie jest obecnie dostępne)

Brightness Settings (Ustawienia jasności)

| Pozycja menu | Opis | Zakres |
|---|---|--------|
| Brightness (Jasność) | Zwiększa lub zmniejsza jasność | 0–100 |
| Contrast (Kontrast) | Zwiększa lub zmniejsza kontrast | 0–100 |
| Phase (Faza)** | Zwiększa lub zmniejsza fazę | 0–100 |
| Chroma (Nasylenie)** | Zwiększa lub zmniejsza nasycenie | 0–100 |
| Image Sharpness (Ostrość obrazu) | Ustawia ostrość obrazu | 1–10 |
| Video Sharpness (Ostrość obrazu wideo)** | Zwiększa lub zmniejsza ostrość obrazu wideo | 0–100 |

** Opcja dostępna wyłącznie w przypadku sygnału SDI, S-Video lub C-Video.

Image Effect (Efekt obrazu)

| Pozycja menu | Opis |
|--|---|
| Scale Mode (Tryb skalowania) | Umożliwia wybór trybu skalowania obrazu: Fill All (Pełny ekran), V-Fill (Dopasowanie w pionie), H-Fill (Dopasowanie w poziomie), One-To-One (Jeden do jednego), Fill-Aspect (Dopasowanie do strony) |
| Freeze Frame (Zatrzymywanie obrazu) | Włącza/wyłącza możliwość zatrzymywania obrazu |
| PIP | Włącza funkcję PIP (picture in picture — Obraz w obrazie) |
| POP | Włącza funkcję POP (picture on picture — Obraz na obrazie) |
| PBP | Włącza funkcję PBP (picture by picture — Obraz przy obrazie) |

Advanced Settings (Ustawienia zaawansowane)

| Pozycja menu | Opis | |
|---|--|--|
| Key Lock (Blokada przycisków) | Włączenie blokady przycisków: uniemożliwia obsługę wszystkich przycisków. Nacisnąć i przytrzymać pokrętko, aby wyłączyć blokadę klawiszy. | |
| Auto Source Select (Automatyczny wybór źródła sygnału) | Sprawdza sygnały wejściowe do momentu wykrycia aktywnego źródła sygnału wideo. Automatyczny wybór źródła sygnału jest wyłączony w trybie PIP/POP/PBP. | |
| Sleep Timer (Automatyczne wyłączenie) | On (Wł.): Wyświetlacz przechodzi do trybu uśpienia, jeśli nie wykryto aktywnego źródła sygnału wideo. | |
| | Off (Wył.): Wyświetlacz nie przejdzie do trybu uśpienia. | |
| | Timer (Zegar): Ustawia czas, po którym wyświetlacz przechodzi do trybu uśpienia w przypadku niewykrycia aktywnego źródła sygnału wideo. | |
| OSD Control (Regulacja menu ekranowego) | Reguluje położenie, tło i czas wyświetlania menu OSD (On Screen Display — menu ekranowe) | |
| Restore Factory Settings (Przywracanie ustawień fabrycznych) | Przywraca ustawienia fabryczne | |
| Screen Control (Regulacja ekranu) | VGA | <ul style="list-style-type: none">• W poziomie• W pionie• Faza• Częstotliwość |
| | S-Video, C-Video, SOG, RGBs, Component | <ul style="list-style-type: none">• W poziomie• W pionie |

SYNK (bezprowadowy wyświetlacz LED VisionPro SYNK 26")

| Status | Opis |
|---|-----------|
| RX APP: XX.XX.XX RX MAC: XX.XX.XX.XX | Odbiornik |
| TX APP: XX.XX.XX TX MAC: XX.XX.XX.XX | Nadajnik |
| WiFi SW: XXX-X.XX SYGNAŁ= Bardzo dobry, Dobry, Słaby Region domyślny: XXX FREQ: XXXX MHz | Nadajnik |

Information (Informacje)

| Pozycja menu | Opis |
|--|--|
| User Name Entry (Wprowadzanie nazwy użytkownika) | Umożliwia wprowadzanie niestandardowej nazwy użytkownika, wyświetlanej podczas uruchamiania wyświetlacza |
| Serial Number (Numer seryjny) | Wyświetla numer seryjny urządzenia |
| Runtime (Czas pracy) | Wyświetla bieżący całkowity czas pracy urządzenia |
| Input Format (Format wejściowy) | Wyświetla bieżący format wejściowy |

Uwaga: Rzeczywiste opcje menu ekranowego mogą się różnić w związku z aktualizacją oprogramowania wbudowanego urządzenia oraz w zależności od ustawień użytkownika.

Rozwiązywanie problemów

Przed oddaniem wyświetlacza do serwisu należy zapoznać się z poniższą listą rozwiązań.

| Problem | Aktualny stan | Rozwiązanie | |
|--|---|--|--|
| Brak obrazu | Kontrolka zasilania wyłączona | Przy użyciu menu ekranowego ustawić maksymalną wartość jasności i kontrastu lub zresetować je do ustawień domyślnych. | |
| | Kontrolka zasilania wyłączona | Upewnić się, że przełącznik zasilania w przedniej i tylnej części wyświetlacza jest włączony. | |
| | | Sprawdzić, czy przewód zasilający jest prawidłowo podłączony do zasilacza i gniazda sieciowego. | |
| | | Sprawdzić, czy zasilacz jest prawidłowo podłączony i działa poprawnie. | |
| | Kontrolka zasilania miga | Czerwony | Wyświetlacz w trybie uśpienia. Aby wyłączyć tryb uśpienia, należy nacisnąć dowolny przycisk. |
| Bursztynowy | | Zbyt wysokie lub zbyt niskie napięcie. | |
| Nieprawidłowy obraz | Obraz zbyt duży, zbyt mały, brak obrazu wideo lub przesunięcie środka obrazu. | Przy użyciu menu Regulacja ekranu dostosować opcje Faza, Częstotliwość, W poziomie i W pionie oraz ich ustawienia w taki sposób, aby obraz był wyświetlany prawidłowo. | |
| | | Zmiana ustawień w trybie Tryb skalowania | |
| | | Dotyczy wyłącznie sygnału wejściowego VGA: nacisnąć i przytrzymać obrotowy element sterujący przez 1–2 sekundy w celu ponownej synchronizacji wejściowego sygnału wideo. | |
| | | Poczekać kilka sekund po zainicjowaniu synchronizacji sygnałów wideo lub wyłączyć i włączyć wyświetlacz. | |
| Komunikat o błędzie | Poza zakresem | Upewnić się, że podłączono obsługiwane źródło sygnału wideo. | |
| Dioda LED tokena miga w kolorze bursztynowym | Błąd | Należy skontaktować się z przedstawicielem serwisu. | |

Czyszczenie i konserwacja



Ostrzeżenie

Aby uniknąć porażenia prądem elektrycznym i potencjalnie śmiertelnych obrażeń ciała, przed rozpoczęciem czyszczenia odłączyć wyświetlacz i zasilacz od gniazda elektrycznego.

Przeostroga

- Nie rozpylać środka czyszczącego bezpośrednio na wyświetlacz ani na zasilacz, ponieważ może to spowodować uszkodzenie tych urządzeń. Środek czyszczący należy rozpylić na szmatkę.
- Nie należy zanurzać wyświetlacza ani zasilacza w żadnym płynie, ponieważ spowoduje to ich uszkodzenie.
- Do czyszczenia urządzeń nie wolno używać żrących środków czyszczących, ponieważ może to spowodować uszkodzenie urządzeń.
- Nie sterylizować wyświetlacza ani zasilacza, może to spowodować ich uszkodzenie.

Czyszczenie

Czyszczenie wyświetlacza lub zasilacza:

1. Jeśli na wyświetlacz założono osłonę, należy ją zdjąć przed przystąpieniem do czyszczenia.
2. **W przypadku bezprzewodowego wyświetlacza LED VisionPro SYNK 26"**: Przed przystąpieniem do czyszczenia należy zakryć pokrywą gniazdo tokena.
3. Nanieść typowy środek dezynfekujący lub delikatny detergent na suchą, sterylną tkaninę.
4. Przetrzeć wyświetlacz lub zasilacz.
5. Ekran wyświetlacza należy czyścić z zachowaniem szczególnej ostrożności. Płyn, który dostanie się do dolnej części wyświetlacza lub gniazda zasilacza może spowodować uszkodzenie urządzenia.

Kontrola

Wyrób należy skontrolować przed każdym użyciem. Należy zapoznać się z sekcją „Rozwiązywanie problemów” niniejszego dokumentu, jeśli wystąpiły którekolwiek z poniższych nieprawidłowości. Jeżeli działanie wyrobu w dalszym ciągu jest niezadowalające, należy zaprzestać jego stosowania i skontaktować się z przedstawicielem firmy Stryker.

- Brak obrazu, obraz nieprawidłowy lub niedopuszczalna jakość obrazu
- Włączenie wyrobu jest niemożliwe
- Nieodpowiednie działanie przycisku i/lub pokrętła lub brak reakcji przycisku/pokrętła
- Znaczne uszkodzenie fizyczne wyświetlacza lub akcesoriów, w tym niedopuszczalny poziom wyrazistości obrazu na ekranie, uszkodzone powłoki, korozja, nietypowe odgłosy, zerwane przewody, odsłonięte okablowanie i/lub wszelkie uszkodzenia uniemożliwiające zapewnienie bezpiecznego funkcjonowania interfejsu montażowego
- Dioda LED zasilania miga na pomarańczowo

Przewidywany czas użytkowania

Czas użytkowania urządzenia oraz akcesoriów zależy w dużej mierze od zużycia, zastosowanych metod czyszczenia i wszelkich uszkodzeń wynikających z użytkowania. Aby wydłużyć okres między przeglądami serwisowymi, należy zawsze postępować według instrukcji dotyczących pielęgnacji i obsługi zawartych w niniejszym podręczniku użytkownika oraz w podręczniku użytkownika akcesoriów.

Utylizacja



Zgodnie z europejską dyrektywą 2012/19/UE w sprawie zużytego sprzętu elektrycznego i elektronicznego (WEEE) wraz z poprawkami, zbiórkę niniejszego wyrobu i akcesoriów w celu poddania recyklingowi należy przeprowadzić oddzielnie od innych odpadów. Nie wyrzucać wraz z niesortowanymi odpadami komunalnymi.

Aby uzyskać informacje dotyczące utylizacji, należy skontaktować się z lokalnym dystrybutorem. Należy upewnić się, że skażony sprzęt został przed utylizacją poddany czyszczeniu zgodnie z sekcją dotyczącą czyszczenia niniejszej Instrukcji stosowania oraz instrukcji stosowania akcesoriów.

Wszelkie elementy akcesoriów systemu należy poddać utylizacji zgodnie ze standardowymi, obowiązującymi w placówce praktykami dotyczącymi potencjalnie skażonych elementów.

Raportowanie zdarzeń niepożądanych

Każdy poważny incydent, który miał miejsce w związku ze stosowaniem niniejszego wyrobu, należy zgłosić firmie Stryker, zaś w Unii Europejskiej — właściwemu organowi państwa członkowskiego zamieszkanego przez osobę, której taki incydent dotyczy.

Dane techniczne

Wyświetlacz

| | |
|---|---|
| Panel wyświetlacza LCD | Przekątna 26" (661 mm) (LCD z aktywną matrycą a-Si TFT) |
| Synchronizacja | 2,5–5,0 V _{pp} , oddzielny sygnał synchronizacji poziomej i pionowej |
| Rozmiar plamki | 0,300 (poziom) × 0,300 (pion) mm |
| Czas reakcji | Typowo < 18 ms |
| Kąt widzenia | Prawo/lewo/góra/dół — 89 stopni |
| Wyświetlane kolory | 1 miliard kolorów (10 bitów) |
| Rozdzielczość natywna | 1920 (poziom) punktów × 1080 (pion) linii |
| Sygnaly obsługiwane przez wyświetlacz LED VisionPro 26" | DVI, VGA, 3G/HD/SD-SDI (we/wy), C-Video/SOG, S-Video, Component/RGBs (Y/G, Pb/B, Pr/R, HS, VS), RS232 |
| Sygnaly obsługiwane przez bezprzewodowy wyświetlacz LED VisionPro SYNK 26" | Cyfrowy sygnał RGB, DVI, S-Video, C-Video/SOG, RS232 oraz USB |
| Maksymalna częstotliwość zegara pikselowego | 165 MHz |

Parametry elektryczne

| | |
|--------------------------------------|--|
| Zasilacz | Wejście: 100–240 V (prąd przemienny); 50–60 Hz; 2,5 A (2,5A - 1,5A) Napięcie wyjściowe: 24 V (prąd stały); 6,25 A (maks. 150 W) Numer modelu: BPM150S24F11 |
| Zużycie energii (przybliżone) | 35–65 watów |

Natężenie/napięcie znamionowe

Należy sprawdzić, czy przewód zasilający jest zgodny z lokalnymi przepisami i normami.

| | |
|--|---|
| Gniazda sieciowe 110 V +/- 10 V | Wybrać przewód zasilający certyfikowany przez UL i CSA, typu SJT lub SVT, 3-żyłowy, 18 AWG, zakończonej formowaną, przeznaczoną do użytku szpitalnego wtyczką o wartościach znamionowych 110 V +/- 10 V, 15 A, o maksymalnej długości 1,8 m. |
| Gniazda sieciowe 220 V +/- 20 V | Wybrać przewód zasilający zgodny z normami zharmonizowanymi i oznaczony symbolem „<HAR>”, 3-żyłowy, min. przekrój żyły: 0,75 mm ² , wartości znamionowe: 220 V +/- 20 V, 10 A z osłoną izolacyjną PCV. Przewód musi być zakończony formowaną wtyczką o wartościach znamionowych 220 V +/- 20 V, 10 A. Przewód oraz wtyczka muszą być odpowiednie do zastosowań medycznych. |

Wymiary

| | |
|--|-----------------------|
| Wymiary (szer. × wys. × głęb.) | 660,4 × 442 × 86,4 mm |
| Waga (przybliżona) | 8,3 kg |
| Płyta montażowa VESA | VESA 100 × 100 mm |

Warunki pracy

| | |
|---|---------|
| Zakres temperatury | 10–40°C |
| Zakres wilgotności względnej | 25–75% |

Warunki transportu i przechowywania

| | |
|---|----------|
| Zakres temperatury | -18–60°C |
| Zakres wilgotności względnej | 15–90% |

Klasyfikacja i dopuszczenia

Urządzenie klasy 1

Sprzęt medyczny z ochroną przed porażeniem prądem elektrycznym, pożarem i ryzykiem mechanicznym tylko w zakresie normy UL 60601-1 oraz CAN/CSA C22.2 nr 601.1.

IP23: Ochrona przed przypadkowym dotknięciem niebezpiecznych części palcem lub przedmiotem o podobnych rozmiarach, ochrona przed rozpyloną wodą (przy kącie odchylenia od pionu mniejszym niż 60°)

Działanie ciągłe

Zgodność

Przepisy FCC

Wyświetlacz LED VisionPro 26":

Klasa B zgodnie z częścią 15 zasad FCC

Identyfikator FCC: QVXAMM261WTDS

Bezprzewodowy wyświetlacz LED VisionPro SYNK 26":

Klasa B zgodnie z częścią 15 zasad FCC

Identyfikator FCC: QVXAMM261WTDSW

Klasa C zgodnie z częścią 15 zasad FCC

Identyfikator FCC: SSH-SYNKRX (płyta odbiornika)

Identyfikator FCC: SSH-SDMAN (płyta na akcesoria)

Przepisy IC

Bezprzewodowy wyświetlacz LED VisionPro SYNK 26":

IC: 4919C-SYNKRX (płyta odbiornika)

IC: 4919C-SDMAN (płyta dodatkowa)

Uwaga: W celu uzyskania informacji na temat zmian i nowych produktów należy skontaktować się z lokalnym przedstawicielem handlowym firmy Stryker Endoscopy.

Zgodność elektromagnetyczna

Podobnie jak w przypadku innych elektrycznych urządzeń medycznych wyświetlacz LED VisionPro 26" oraz bezprzewodowy wyświetlacz LED VisionPro SYNK 26" wymagają zachowania specjalnych środków ostrożności, zapewniających zgodność elektromagnetyczną z innymi urządzeniami tego typu. Aby zapewnić zgodność elektromagnetyczną (EMC), wyświetlacz należy instalować i obsługiwać zgodnie z informacjami podanymi w niniejszym podręczniku. Wyświetlacz opracowano i przetestowano pod kątem zgodności z wymogami normy IEC 60601-1-2, określającej zgodność elektromagnetyczną z innymi urządzeniami.

Uwaga: To urządzenie jest przeznaczone do użytku w placówkach służby zdrowia. Nie jest przeznaczone do stosowania w pomieszczeniach ekranowanych przed promieniowaniem o częstotliwościach radiowych medycznego układu elektrycznego wykorzystywanego przy obrazowaniu za pomocą rezonansu magnetycznego, gdzie intensywność zaburzeń elektromagnetycznych jest wysoka.

Uwaga: Nie jest prawdopodobne, aby to urządzenie było podatne na zakłócenia generowane przez instrumenty chirurgiczne wykorzystujące wysokie częstotliwości w środowisku specjalnym, jeśli znajdzie się w pobliżu aktywnego instrumentu chirurgicznego wykorzystującego wysokie częstotliwości. W przypadku zaobserwowania zakłóceń generowanych przez instrumenty chirurgiczne wykorzystujące wysokie częstotliwości należy dostosować odstęp między urządzeniami.



Ostrzeżenie

Podczas użytkowania urządzenia połączonego z innym medycznym sprzętem elektrycznym prądy upływu mogą się sumować. Aby zminimalizować całkowity prąd upływu pacjenta, należy upewnić się, że wszystkie systemy zainstalowano zgodnie z normą IEC 60601-1-1.

Przeestroga

Stacjonarny i przenośny sprzęt radiokomunikacyjny może wpływać na normalne funkcjonowanie wyświetlacza. Nie wolno używać kabli ani akcesoriów innych niż dostarczone z wyświetlaczem, gdyż mogłyby one spowodować zwiększenie emisji elektromagnetycznej lub zmniejszenie odporności na taką emisję. Jeśli wyświetlacz jest używany obok innego sprzętu lub ustawiony w stosie urządzeń, należy obserwować i sprawdzić poprawność działania wyświetlacza w konfiguracji, w której będzie używany, przed zastosowaniem go podczas zabiegu chirurgicznego. Poniższe tabele zawierają wskazówki dotyczące miejsca instalacji wyświetlacza.

| Zalecenia i deklaracje producenta: Emisje elektromagnetyczne | | |
|--|------------------|--|
| Wyświetlacz LED VisionPro 26" oraz bezprzewodowy wyświetlacz LED VisionPro SYNK 26" są przeznaczone do stosowania w środowisku elektromagnetycznym określonym poniżej. Klient lub użytkownik tabletu powinien upewnić się, że wyświetlacz jest używany w takim środowisku. | | |
| Test emisji | Zgodność | Środowisko elektromagnetyczne — zalecenia |
| Emisja sygnału radiowego wg CISPR 11 | Grupa 1 | Wyświetlacze wykorzystują energię częstotliwości radiowych tylko do funkcji wewnętrznych; z tego względu emisja sygnałów o częstotliwościach radiowych jest bardzo mała i nie są prawdopodobne jakiegokolwiek interferencje z urządzeniami elektronicznymi znajdującymi się w pobliżu. |
| Emisja sygnału radiowego wg CISPR 11 | Klasa B | Wyświetlacze można używać we wszystkich instalacjach, innych niż instalacje bezpośrednio podłączone do niskonapięciowej publicznej sieci zasilającej, do której podłączone są budynki mieszkalne, pod warunkiem uwzględnienia następującego ostrzeżenia: Ostrzeżenie: Niniejszy system jest przeznaczony do użytku wyłącznie przez pracowników służby zdrowia. System ten może powodować zakłócenia radiowe lub zakłócać działanie znajdujących się w pobliżu urządzeń. Konieczne może się okazać zastosowanie środków osłabiających te efekty, takich jak ułożenia lub położenia systemu lub wykonanie ekranowania miejsca instalacji. |
| Emisje częstotliwości harmonicznych IEC 61000-3-2 | Klasa D | |
| Wahania napięcia / emisje migotania IEC 61000-3-3 | Zgodność z normą | |

| Zalecenia i deklaracje producenta — odporność elektromagnetyczna | | | |
|--|--|--|---|
| Wyświetlacz LED VisionPro 26" oraz bezprzewodowy wyświetlacz LED VisionPro SYNK 26" są przeznaczone do stosowania w środowisku elektromagnetycznym określonym poniżej. Klient lub użytkownik wyświetlacza powinien upewnić się, że jest on używany w takim środowisku. | | | |
| Test odporności | Poziom testowy IEC 60601 | Poziom zgodności | Środowisko elektromagnetyczne — wytyczne |
| Wylądowania elektrostatyczne (ESD) IEC 61000-4-2 | ±8 kV styk ±15 kV przez powietrze | ±8 kV styk ±15 kV przez powietrze | Podłogi powinny być drewniane, betonowe lub wyłożone płytkami ceramicznymi. Jeśli podłogi są pokryte materiałem syntetycznym, wilgotność względna powinna wynosić co najmniej 30%. |
| Szybkoszmiennie zakłócenia elektryczne przejściowe/impulsowe IEC 61000-4-4 | ±2 kV dla linii zasilania ±1 kV dla linii wejścia/wyjścia (jeżeli dotyczy) | ±2 kV między linią a ziemią ±1 kV między liniami (jeżeli dotyczy) | Jakość zasilania powinna odpowiadać typowemu środowisku przemysłowemu lub szpitalnemu. |
| Przebiegi IEC 61000-4-5 | ±1 kV w trybie różnicowym ±2 kV w trybie wspólnym | ±1 kV w trybie różnicowym ±2 kV w trybie wspólnym | Jakość zasilania powinna odpowiadać typowemu środowisku przemysłowemu lub szpitalnemu. |
| Spadki napięcia, krótkie przerwy i wahania napięcia na liniach wejściowych zasilania IEC 61000-4-11 | 0% U_T przez 0,5 cyklu 0% U_T przez 1 cykl 70% U_T przez 25 cykli 0% U_T przez 5 sekund | 0% U_T przez 0,5 cyklu 0% U_T przez 1 cykl 70% U_T przez 25 cykli 0% U_T przez 5 sekund | Jakość zasilania powinna odpowiadać typowemu środowisku przemysłowemu lub szpitalnemu. Jeśli używanie nadajnika wymaga ciągłej pracy podczas przerw w zasilaniu, zaleca się zasilanie nadajnika bezprzewodowego za pomocą bezprzewodowego zasilacza awaryjnego (UPS) lub baterii. |
| Pole magnetyczne o częstotliwości sieci energetycznej (50/60 Hz) IEC 61000-4-8 | 30 A/m | 30 A/m | Pola magnetyczne o częstotliwości sieci energetycznej powinny utrzymywać się na poziomach właściwych dla typowego środowiska przemysłowego lub szpitalnego. |
| Uwaga: U_T jest napięciem zasilania prądem przemiennym przed zastosowaniem poziomu testowego. | | | |

Wytyczne i deklaracje producenta: Odporność elektromagnetyczna

Wyświetlacz LED VisionPro 26" oraz bezprzewodowy wyświetlacz LED VisionPro SYNK 26" są przeznaczone do stosowania w środowisku elektromagnetycznym określonym poniżej.

Klient lub użytkownik wyświetlacza powinien upewnić się, że jest on używany w takim środowisku.

| Test odporności | Poziom testowy IEC 60601 | Poziom zgodności | Środowisko elektromagnetyczne — wytyczne |
|--|--|-------------------|--|
| Zakłócenia o częstotliwościach radiowych w przewodach IEC 61000-4-6 Wypromieniowane zakłócenia o częstotliwościach radiowych IEC 61000-4-3 | 3 Vrms Od 150 kHz do 80 MHz 10 V/m Od 80 MHz do 2,7 GHz | 3 V 10 V/m | <p>Przenośne urządzenia do komunikacji wykorzystujące częstotliwość radiową powinny być używane w odległości od jakiegokolwiek części wyświetlacza, w tym przewodów, nie mniejszej niż zalecana odległość obliczona na podstawie równania odpowiedniego do częstotliwości nadajnika.</p> <p>Zalecana odległość:</p> $d = 2\sqrt{P}$ <p>przy częstotliwości od 80 MHz do 2,7 GHz</p> <p>gdzie P jest maksymalną wyjściową mocą znamionową nadajnika w watach (W), zgodnie z informacją podaną przez producenta nadajnika, a d — zalecaną odległością w metrach (m).</p> <p>Natężenia pola ze stałych nadajników wykorzystujących częstotliwość radiową, określone na podstawie pomiarów pola elektromagnetycznego w miejscu instalacji (a), powinny być mniejsze niż poziom zgodności dla każdego zakresu częstotliwości (b).</p> <p>Mogą wystąpić zakłócenia w pobliżu urządzeń oznaczonych następującym symbolem:</p>  |
| <p>(a) Nie można w sposób teoretyczny dokładnie przewidzieć natężeń pól pochodzących od stałych nadajników, np. stacji bazowych telefonii komórkowej lub łączności bezprzewodowej, naziemnych nadajników ruchomych, nadajników amatorskich, a także nadajników radiowych (fal długich i ultrakrótkich) oraz telewizyjnych. Aby ocenić wpływ stacjonarnych nadajników radiowych na środowisko elektromagnetyczne, należy rozważyć przeprowadzenie pomiarów pola elektromagnetycznego w miejscu instalacji. Jeśli zmierzone natężenie pola w miejscu, w którym ma być używany wyświetlacz LED VisionPro 26" lub bezprzewodowy wyświetlacz LED VisionPro SYNK 26", przekracza określony wyżej poziom zgodności dla częstotliwości radiowych, należy obserwować działanie wyświetlacza i nadajnika w celu sprawdzenia poprawności działania. W przypadku stwierdzenia nieprawidłowego działania, konieczne może okazać się zastosowanie dodatkowych środków, na przykład obrócenie tabletu lub zmiana jego lokalizacji.</p> <p>(b) W zakresie częstotliwości od 150 kHz do 80 MHz natężenie pola elektrycznego powinno być mniejsze niż 3 V/m.</p> | | | |

| Specyfikacje badane pod kątem odporności na działanie bezprzewodowych urządzeń radiokomunikacyjnych | | | | | | |
|---|-------------|---|---|--------------------|---------------|------------------------------------|
| Częstotliwość badania (MHz) | Pasmo (MHz) | Obsługa techniczna | Modulacja | Moc maksymalna (W) | Odległość (m) | Poziom probierczy odporności (V/m) |
| 385 | 380-390 | TETRA 400 | Modulacja impulsowa 18 Hz | 1,8 | 0,3 | 27 |
| 450 | 430-470 | GMRS 460, FRS 460 | FM Odchylenie ± 5 kHz Fala sinusoidalna 1 kHz | 2 | 0,3 | 28 |
| 710 | 704-787 | Pasmo LTE 13, 17 | Modulacja impulsowa 217 Hz | 0,2 | 0,3 | 9 |
| 745 | | | | | | |
| 780 | | | | | | |
| 810 | 800-960 | GSM 800/900, TETRA 800, iDEN 820, CDMA 850, Pasmo LTE 5 | Modulacja impulsowa 18 Hz | 2 | 0,3 | 28 |
| 870 | | | | | | |
| 930 | | | | | | |
| 1720 | 1700-1990 | GSM 1800; CDMA 1900; GSM 1900; DECT; Pasmo LTE 1, 3, 4, 25; UMTS | Modulacja impulsowa 217 Hz | 2 | 0,3 | 28 |
| 1845 | | | | | | |
| 1970 | | | | | | |
| 2450 | 2400-2570 | Bluetooth, WLAN, 802.11 b/g/n, RFID 2450, Pasmo LTE 7 | Modulacja impulsowa 217 Hz | 2 | 0,3 | 28 |
| 5240 | 5100-5800 | WLAN 802.11 a/n | Modulacja impulsowa 217 Hz | 0,2 | 0,3 | 9 |
| 5500 | | | | | | |
| 5785 | | | | | | |
| Uwaga: Odległość między przenośnymi urządzeniami radiokomunikacyjnymi a wyświetlaczem LED VisionPro 26" i bezprzewodowym wyświetlaczem LED VisionPro SYNK 26" powinna być nie mniejsza niż 30 cm. W przeciwnym razie może dojść do pogorszenia jakości działania tych urządzeń. | | | | | | |
| Niniejszym firma Stryker oświadcza, że wyświetlacz LED VisionPro SYNK 26" spełnia zasadnicze i inne stosowne wymagania dyrektywy 1999/5/WE. Egzemplarz deklaracji zgodności można uzyskać od firmy Stryker Endoscopy, mieszczącej się pod adresem 5900 Optical Court, San Jose, CA, 95138, USA. | | | | | | |

Symbole i definicje

Na produkcie, jego etykiecie lub opakowaniu umieszczone są symbole wymienione poniżej. Każdy symbol ma określone znaczenie, przedstawione poniżej:



Sprawdzić w instrukcji stosowania



Uwaga: Zapoznać się z instrukcją stosowania



Numer seryjny



Ilość



Zakres temperatury



Zakres wilgotności



Autoryzowane przedstawicielstwo w Europie



Kraj pochodzenia



Numer katalogowy



Prąd stały



Data produkcji



Oficjalny producent



Przetestowano pod kątem zgodności z normami FCC dla klasy B i C



Transmisja bezprzewodowa



Prawo federalne zezwala na sprzedaż tego przyrządu wyłącznie lekarzowi lub na jego zlecenie



To urządzenie spełnia wymagania Unii Europejskiej dotyczące wyrobów medycznych



Kod recyklingowy wyrobu (dotyczy Chin)



Certyfikacja CCC

IP23

Obudowa zapewnia ochronę przed:

- Przypadkowym dotknięciem niebezpiecznych części palcem lub przedmiotem o podobnych rozmiarach
- Rozpyloną wodą (przy kącie odchylenia od pionu mniejszym niż 60°)



Zgodność z wymaganiami przepisów australijskich



Sprzęt medyczny jest zgodny z normami AAMI ES60601-1 i CSA C22.2 nr 60601-1-08-CAN/CSA w zakresie zagrożenia porażeniem prądem elektrycznym, zagrożenia pożarowego oraz zagrożeń mechanicznych



Niniejszy produkt zawiera odpadowy sprzęt elektryczny lub elektroniczny. Nie może być składowany na niesortowanych składowiskach odpadów komunalnych — musi być gromadzony oddzielnie.



Wyrób medyczny w Unii Europejskiej

Πίνακας περιεχομένων

| | |
|---|---------------|
| Προειδοποιήσεις και συστάσεις προσοχής | EL-379 |
| Σχετικά με τη συσκευή | EL-382 |
| Προοριζόμενη χρήση και ενδείξεις χρήσης | EL-383 |
| Αντενδείξεις | EL-383 |
| Περιεχόμενα συσκευασίας | EL-384 |
| Χαρακτηριστικά συσκευής | EL-385 |
| Εγκατάσταση | EL-390 |
| Συνδέσεις | EL-390 |
| Βασική εγκατάσταση βίντεο | EL-392 |
| Λειτουργία | EL-393 |
| Προβολή επί της οθόνης (OSD) | EL-393 |
| Μενού OSD | EL-395 |
| Αντιμετώπιση προβλημάτων | EL-398 |
| Καθαρισμός και συντήρηση | EL-399 |
| Τεχνικές προδιαγραφές | EL-401 |
| Ηλεκτρομαγνητική συμβατότητα | EL-403 |
| Σύμβολα και επεξηγήσεις | EL-407 |

Προειδοποιήσεις και συστάσεις προσοχής

Διαβάστε το παρόν εγχειρίδιο και ακολουθήστε προσεκτικά τις οδηγίες του. Οι λέξεις προειδοποίηση, προσοχή και σημείωση έχουν ειδική σημασία και θα πρέπει να τις μελετάτε προσεκτικά:

Προειδοποίηση: Υποδεικνύει τα μέτρα που θα πρέπει να λαμβάνονται για την αποφυγή ενδεχόμενου σοβαρού τραυματισμού του χρήστη και του ασθενούς.

Προσοχή: Υποδεικνύει κινδύνους για τον εξοπλισμό. Η μη τήρηση των συστάσεων προσοχής ενδέχεται να προκαλέσει ζημιά στο προϊόν.

Σημείωση: Παρέχει εξειδικευμένες πληροφορίες για τη διευκρίνιση οδηγιών ή παραθέτει πρόσθετες χρήσιμες πληροφορίες.

Προειδοποιήσεις

Για την αποφυγή ενδεχόμενου σοβαρού τραυματισμού του χρήστη και του ασθενούς, λάβετε υπόψη σας τις ακόλουθες προειδοποιήσεις:

1. Διαβάστε προσεκτικά το παρόν εγχειρίδιο και εξοικειωθείτε με το περιεχόμενό του πριν από τη χρήση της παρούσας συσκευής.
2. Σύμφωνα με την ομοσπονδιακή νομοθεσία (Ηνωμένες Πολιτείες Αμερικής), η πώληση της παρούσας συσκευής επιτρέπεται μόνο από ιατρό ή κατόπιν εντολής ιατρού.
3. Αφαιρέστε προσεκτικά τη συσκευή από τη συσκευασία της και ελέγξτε αν προκλήθηκε κάποια ζημιά κατά την αποστολή.
4. Η παρούσα συσκευή δεν είναι αποστειρωμένη και, συνεπώς, δεν θα πρέπει να τοποθετείται σε στείρο πεδίο.
5. Μην τοποθετείτε τη συσκευή ή οποιοδήποτε άλλο βαρύ αντικείμενο επάνω στο καλώδιο τροφοδοσίας. Τυχόν ζημιά στο καλώδιο είναι δυνατό να προκαλέσει πυρκαγιά ή ηλεκτροπληξία.
6. Για να αποφευχθεί τυχόν ηλεκτροπληξία, αποφεύγετε να αφαιρείτε το δακτύλιο συγκράτησης.
7. Η παρούσα συσκευή δεν θα πρέπει να χρησιμοποιείται δίπλα σε ή επάνω από άλλες συσκευές. Εάν είναι απαραίτητη η χρήση δίπλα σε ή επάνω από άλλες συσκευές, η συσκευή θα πρέπει να παρακολουθείται ώστε να επιβεβαιώνεται η κανονική λειτουργία της με τη διαμόρφωση στην οποία θα χρησιμοποιηθεί.
8. Ελέγχετε αυτήν τη συσκευή πριν από μια χειρουργική διαδικασία. Αυτή η συσκευή υποβλήθηκε σε πλήρη έλεγχο στο εργοστάσιο πριν από την αποστολή.
9. Μην προβαίνετε σε εσωτερικές επισκευές ή ρυθμίσεις που δεν περιγράφονται λεπτομερώς συγκεκριμένα στο παρόν εγχειρίδιο. Διασφαλίστε ότι τυχόν αναπροσαρμογές, τροποποιήσεις ή/και επισκευές πραγματοποιούνται από άτομα εξουσιοδοτημένα από την Stryker Endoscopy.
10. Μην τοποθετείτε οποιοδήποτε αντικείμενο μέσα στον πίνακα. Στην περίπτωση αυτή, αποσυνδέστε τη συσκευή και αναθέστε τον έλεγχό της σε ειδικευμένο προσωπικό προτού τη χρησιμοποιήσετε περαιτέρω.

11. Απαιτείται κατάλληλη προσοχή ώστε να αποφεύγεται η επαφή με υγρά, εάν η συσκευή χρησιμοποιείται με παροχή ρεύματος σε περιβάλλοντα ασθενών.
12. Κατά τη χρήση καλωδίων ή/και άλλων βοηθητικών εξαρτημάτων, εκτός από τα καθορισμένα, με αυτήν τη συσκευή, ενδέχεται να προκληθούν αυξημένες εκπομπές ή μειωμένη ατρωσία της παρούσας συσκευής.

Συστάσεις προσοχής

1. Συνδέστε τη συσκευή σε έναν προσαρμογέα AC που είναι συνδεδεμένος με καλώδιο τροφοδοσίας νοσοκομειακού τύπου, διασφαλίζοντας ότι το καλώδιο τροφοδοσίας είναι συνδεδεμένο σε γειωμένη πρίζα ρεύματος ώστε να επιτυγχάνεται αξιόπιστη γείωση.
2. Μην αποστειρώνετε τη συσκευή, καθώς το ευαίσθητο ηλεκτρονικό σύστημα δεν μπορεί να αντέξει αυτήν τη διαδικασία.
3. Χρησιμοποιείτε για την οθόνη μόνο το κατοχυρωμένο τροφοδοτικό χειρουργικής οθόνης. Στερεώστε καλά τη σύνδεση μεταξύ του καλωδίου τροφοδοσίας συνεχούς ρεύματος (DC) και του καλωδίου πρόεκτασης.
4. Μην χρησιμοποιείτε ποτέ τη συσκευή αμέσως μετά τη μεταφορά από μια κρύα τοποθεσία σε μια ζεστή τοποθεσία.
5. Για σύνδεση σε διεθνές τροφοδοτικό, χρησιμοποιήστε ένα βύσμα προσάρτησης κατάλληλο για την πρίζα ρεύματος, όπως περιγράφεται στην ενότητα «Τεχνικές προδιαγραφές» του παρόντος εγχειριδίου.
6. Αποσυνδέστε τη συσκευή εάν δεν πρόκειται να χρησιμοποιηθεί για παρατεταμένη χρονική περίοδο. Για να αποσυνδέσετε το καλώδιο, ξεβιδώστε πρώτα το βύσμα και, στη συνέχεια, τραβήξτε το καλώδιο προς τα έξω από το βύσμα. Μην τραβάτε ποτέ το ίδιο το καλώδιο.
7. Μην εκθέτετε τη συσκευή σε υγρασία και μην εφαρμόζετε υγρά καθαριστικά απευθείας στην οθόνη. Ψεκάστε το διάλυμα καθαρισμού σε ένα μαλακό ύφασμα και καθαρίστε απαλά. Για περισσότερες λεπτομέρειες, ανατρέξτε στην ενότητα «Καθαρισμός και συντήρηση» του παρόντος εγχειριδίου.
8. Επιτρέψτε την ελεύθερη κυκλοφορία του αέρα, προκειμένου να αποτραπεί η συσσώρευση θερμότητας στο εσωτερικό. Μην τοποθετείτε τη συσκευή επάνω σε επιφάνειες (χαλιά, κουβέρτες κ.λπ.) ή κοντά σε υλικά (κουρτίνες, υφάσματα) που ενδέχεται να φράξουν τις σχισμές αερισμού. Η συσκευή ψύχεται μέσω φυσικής μεταφοράς θερμότητας και δεν διαθέτει ανεμιστήρα.
9. Μην αγγίζετε τον ασθενή με συνδέσμους εισόδου ή εξόδου σήματος. Ο εξοπλισμός με συνδέσμους SIP/SOP θα πρέπει να συμμορφώνεται με τα εναρμονισμένα εθνικά πρότυπα IEC 60601-1 ή/και IEC 60601-1-1 ή ο συνδυασμός θα πρέπει να αξιολογείται ως προς την ασφάλεια.
10. Για να διασφαλίσετε την ηλεκτρομαγνητική συμβατότητα, ανατρέξτε στην ενότητα «Ηλεκτρομαγνητική συμβατότητα» του παρόντος εγχειριδίου. Η οθόνη LED VisionPro 26" (0240-031-020) και η ασύρματη οθόνη LED VisionPro SYNK 26" (0240-031-000) πρέπει να εγκαθίστανται και να τίθενται σε λειτουργία σύμφωνα με τις πληροφορίες περί ηλεκτρομαγνητικής συμβατότητας που παρέχονται στο παρόν εγχειρίδιο.
11. Τηρείτε με προσοχή τις οδηγίες καθαρισμού που αναφέρονται στο παρόν εγχειρίδιο. Η μη τήρηση των οδηγιών αυτών μπορεί να προκαλέσει ζημιά.

12. Μην εγκαθιστάτε τη συσκευή κοντά σε θέσεις όπου υπάρχει ηλιακό φως, υπερβολική σκόνη, μηχανική δόνηση ή κραδασμός.
13. Μην τοποθετείτε τη συσκευή με τρόπο που καθιστά δύσκολη την αποσύνδεση του καλωδίου τροφοδοσίας από το δίκτυο παροχής ρεύματος.
14. Μην χρησιμοποιείτε τη συσκευή εάν η γυάλινη οθόνη της συσκευής έχει κατεύθυνση προς τα κάτω.
15. Χειρίζεστε τη συσκευή με προσοχή. Μην χτυπάτε και μην χαράζετε την οθόνη.
16. Τυχόν αλλαγές ή τροποποιήσεις που δεν εγκρίνονται ρητά από το μέρος που είναι υπεύθυνο για τη συμμόρφωση, θα ήταν δυνατό να ακυρώσουν την εξουσιοδότηση του χρήστη να λειτουργεί τη συσκευή.
17. **Σημείωση:** Η συσκευή αυτή έχει ελεγχθεί και έχει διαπιστωθεί ότι συμμορφώνεται με το όριο για ψηφιακές συσκευές Κατηγορίας Β, σύμφωνα με το Μέρος 15 των κανονισμών του FCC. Τα όρια αυτά έχουν σχεδιαστεί για την παροχή εύλογης προστασίας από επιβλαβείς παρεμβολές όταν ο εξοπλισμός λειτουργεί σε οικιακό περιβάλλον. Η συσκευή αυτή παράγει, χρησιμοποιεί και μπορεί να εκπέμψει ενέργεια ραδιοσυχνοτήτων και, εάν δεν εγκατασταθεί και χρησιμοποιηθεί σύμφωνα με τις οδηγίες, ενδέχεται να προκαλέσει επιβλαβείς παρεμβολές στις ραδιοεπικοινωνίες. Δεν παρέχεται εγγύηση ότι δεν θα υπάρξουν παρεμβολές σε συγκεκριμένη εγκατάσταση, οι οποίες μπορούν να προσδιοριστούν με την απενεργοποίηση και την ενεργοποίηση της συσκευής. Ο χρήστης ενθαρρύνεται να επιχειρήσει τη διόρθωση της παρεμβολής με ένα ή περισσότερα από τα ακόλουθα μέτρα:
 - Επαναπροσανατολισμό ή αλλαγή θέσης της συσκευής λήψης.
 - Αύξηση της απόστασης διαχωρισμού μεταξύ των συσκευών.
 - Σύνδεση της συσκευής σε πρίζα συνδεδεμένη με άλλο κύκλωμα, διαφορετικό από εκείνο στο οποίο είναι συνδεδεμένες οι άλλες συσκευές.
 - Συμβουλευτείτε τον κατασκευαστή ή τον τεχνικό επιτόπιου σέρβις για βοήθεια.

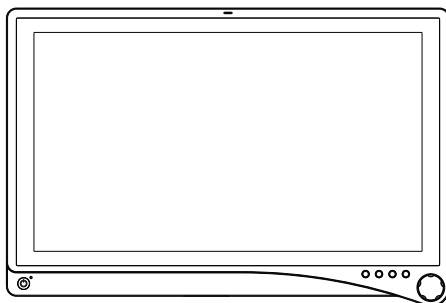
Η εγγύηση ακυρώνεται σε περίπτωση που δεν ληφθεί υπόψη οποιαδήποτε από αυτές τις προειδοποιήσεις ή τις συστάσεις προσοχής.

Αυτό το προϊόν περιέχει απόβλητα ηλεκτρικού ή ηλεκτρονικού εξοπλισμού. Δεν πρέπει να απορρίπτεται μαζί με τα κοινά δημοτικά απορρίμματα και πρέπει να συλλέγεται ξεχωριστά.

Σχετικά με τη συσκευή

Οθόνη LED VisionPro 26"

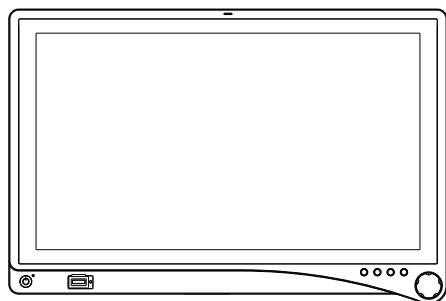
ΚΩΔ. ΑΝΑΦ.: 0240-031-020



Η οθόνη LED VisionPro 26" είναι μια ευρεία χειρουργική οθόνη LED που μπορεί να υποστηρίξει μέγιστη ανάλυση WUXGA (1920x1200). Η οθόνη υποστηρίζει τις ακόλουθες εισόδους βίντεο: ψηφιακή RGB, αναλογική RGB, σειριακή ψηφιακή διασύνδεση (SDI), βίντεο συνιστωσών (YPbPr/RGBS), S-video (S-βίντεο) και C-video (C-βίντεο)/SOG. Υποστηρίζει επίσης σειριακή επικοινωνία μέσω της θύρας RS232.

Ασύρματη οθόνη LED VisionPro SYNK 26"

ΚΩΔ. ΑΝΑΦ.: 0240-031-000



Η ασύρματη οθόνη LED VisionPro SYNK 26" μπορεί να χρησιμοποιηθεί με τον προαιρετικό πομπό SYNK (0240-031-010 ή 0240-031-011), ο οποίος της επιτρέπει να λαμβάνει σήμα βίντεο υψηλής ανάλυσης μέσω σύνδεσης ραδιοσυχνότητας.

Η οθόνη υποστηρίζει τις ακόλουθες εισόδους βίντεο: DVI, S-Video (S-βίντεο) και C-Video (C-βίντεο)/SOG. Εφόσον ενεργοποιηθεί η ασύρματη λειτουργία, η οθόνη υποστηρίζει ασύρματη ψηφιακή είσοδο βίντεο RGB. Η οθόνη υποστηρίζει επίσης μια θύρα USB και σειριακή επικοινωνία μέσω της θύρας RS232.

Σημείωση: Η ασύρματη λειτουργία της ασύρματης οθόνης LED VisionPro SYNK 26" μπορεί να ενεργοποιηθεί μόνο μέσω του πομπού SYNK.

Για λεπτομέρειες και οδηγίες σχετικά με τη χρήση του ασύρματου πομπού SYNK και της ασύρματης λειτουργίας της ασύρματης οθόνης LED VisionPro SYNK 26", ανατρέξτε στο εγχειρίδιο του ασύρματου συστήματος SYNK (P21693).

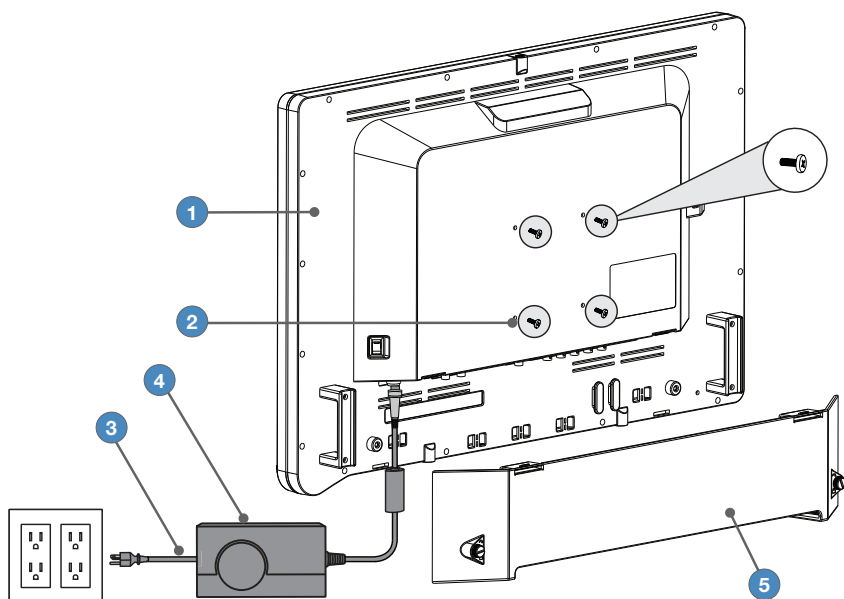
Προοριζόμενη χρήση και ενδείξεις χρήσης

Η ασύρματη οθόνη LED VisionPro SYNK 26" και η οθόνη LED VisionPro 26" προορίζονται για την προβολή βίντεο κατά τη διάρκεια χειρουργικών επεμβάσεων, συμπεριλαμβανομένων της αρθροσκόπησης (ορθοπεδικές χειρουργικές επεμβάσεις), της λαπαροσκόπησης (γενικές και γυναικολογικές χειρουργικές επεμβάσεις), της θωρακοσκόπησης (γενικές, γαστρεντερικές και ΩΡΛ χειρουργικές επεμβάσεις), καθώς και σε επεμβάσεις γενικής χειρουργικής. Η οθόνη είναι μια μη αποστειρωμένη, επαναχρησιμοποιήσιμη συσκευή που δεν προορίζεται για χρήση εντός του στείρου πεδίου. Η οθόνη προορίζεται για χρήση από ειδικευμένους ιατρούς με πλήρη γνώση αυτών των χειρουργικών διαδικασιών.

Αντενδείξεις

Δεν υπάρχουν γνωστές αντενδείξεις για αυτήν τη συσκευή.

Περιεχόμενα συσκευασίας



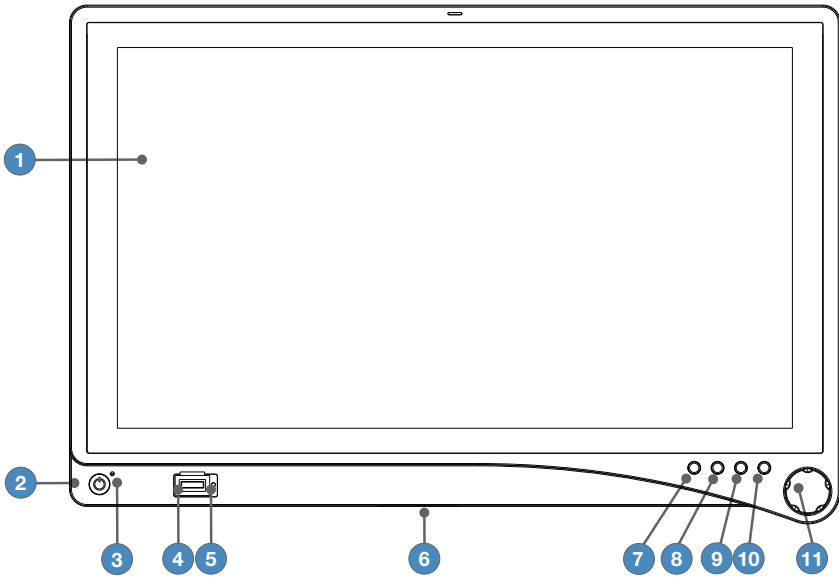
| Αναφορά | Κωδικός είδους | Περιεχόμενα συσκευασίας |
|---------|------------------------------|--|
| 1 | 0240-031-020 0240-031-000 | Οθόνη LED VisionPro 26" ή Ασύρματη οθόνη LED VisionPro SYNK 26" |
| 2 | – | (4) βίδες M4 × 16 mm VESA |
| 3 | – | Καλώδιο εναλλασσόμενου ρεύματος νοσοκομειακού τύπου |
| 4 | 0240-031-004 | Τροφοδοτικό ιατρικού τύπου |
| 5 | – | Κάλυμμα καλωδίων |

| Κωδικός είδους | Προαιρετικά εξαρτήματα |
|----------------|--|
| 0240-031-002 | Κάλυμμα οθόνης VisionPro 26" |
| 0240-031-004 | Τροφοδοτικό ιατρικού τύπου |
| 0240-031-010 | Ασύρματος πομπός SYNK |
| 0240-030-951 | Καλώδιο προέκτασης DC 4,5 m (5 ακίδων) |
| 0240-030-952 | Καλώδιο προέκτασης DC 23 m (5 ακίδων) |

Χαρακτηριστικά συσκευής

Πρόσοψη

Χειριστείτε την οθόνη χρησιμοποιώντας το περιστρεφόμενο κουμπί ελέγχου που βρίσκεται στην πρόσοψη. Παρακάτω παρέχεται μια λίστα των κουμπιών ελέγχου της οθόνης και των λειτουργιών τους.



- 1. Οθόνη προβολής**
- 2. Διακόπτης λειτουργίας (μαλακός)**
- 3. Ενδεικτική λυχνία LED λειτουργίας**
- 4. Σχισμή αδειοπλαισίου (Μόνο ασύρματη οθόνη LED VisionPro SYNK 26")**
- 5. Ενδεικτική λυχνία LED αδειοπλαισίου (Μόνο ασύρματη οθόνη LED VisionPro SYNK 26")**
- 6. Βοηθητική σύνδεση**

Προβάλλει εικόνα βίντεο.

Ενεργοποιεί και απενεργοποιεί την οθόνη.

Υποδεικνύει την τρέχουσα κατάσταση:

Σταθερό πράσινο χρώμα - Η οθόνη είναι ενεργοποιημένη ή βρίσκεται σε τρόπο λειτουργίας προστασίας οθόνης
Κόκκινο χρώμα που αναβοσβήνει - Η οθόνη βρίσκεται σε τρόπο λειτουργίας αναμονής

Πορτοκαλί χρώμα που αναβοσβήνει - Υψηλή ή χαμηλή τάση
Το σημείο εισαγωγής του αδειοπλαισίου χρησιμοποιείται για την επίτευξη ασύρματης σύνδεσης με τον πομπό.

Σταθερό πράσινο χρώμα - Η σύνδεση έχει επιτευχθεί

Σταθερό πορτοκαλί χρώμα - Εκκίνηση λειτουργίας

Πορτοκαλί χρώμα που αναβοσβήνει - Σφάλμα, επικοινωνία με αντιπρόσωπο σέρβις

Υποστηρίζει βοηθητικές συνδέσεις συσκευών.

7. Ήχος/PIP (Εικόνα σε εικόνα)

Οθόνη LED VisionPro 26”:

Παρέχει πρόσβαση στο μενού ρύθμισης Εικόνα σε εικόνα.

Ασύρματη οθόνη LED VisionPro SYNK 26”:

Πατήστε δύο φορές για το μενού ρύθμισης Εικόνα σε εικόνα.

Σημείωση: Η λειτουργία ήχου δεν είναι ενεργοποιημένη επί του παρόντος.

8. Φωτεινότητα

Παρέχει πρόσβαση στο μενού ρύθμισης Φωτεινότητα

9. Ειδικότητα

Παρέχει πρόσβαση στο μενού ρύθμισης Ειδικότητα

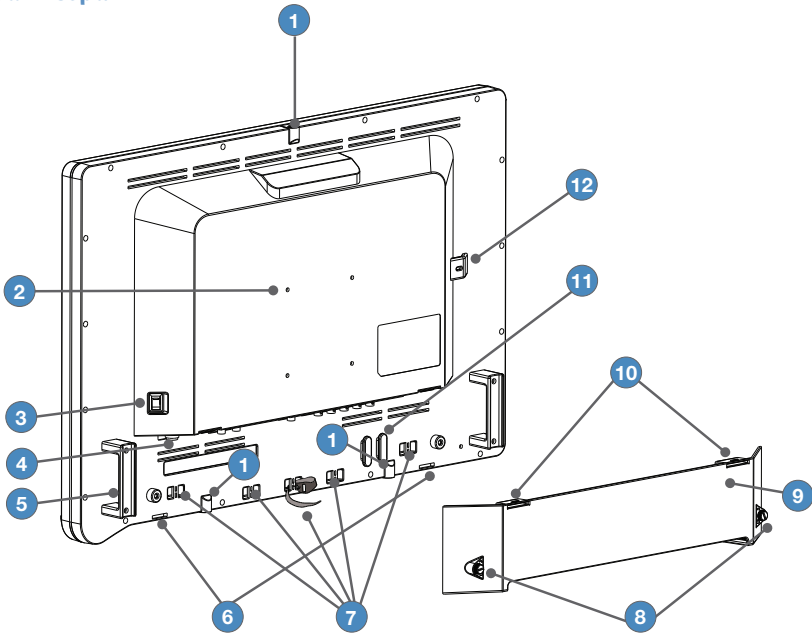
10. Είσοδος

Παρέχει πρόσβαση στο μενού Input Επιλογή εισόδου

11. Περιστρεφόμενο κουμπί ελέγχου

Παρέχει πρόσβαση στην προβολή επί της οθόνης και πραγματοποιεί πλοήγηση στις λειτουργίες της.

Πίσω πλευρά



1. Σημεία τοποθέτησης βοηθητικών εξαρτημάτων (3)

Παρέχει ένα σημείο πρόσβασης για την τοποθέτηση προαιρετικών βοηθητικών εξαρτημάτων.

2. Οπές τοποθέτησης VESA

Παρέχει σημεία πρόσβασης για την τοποθέτηση της οθόνης.

3. Διακόπτης λειτουργίας (σκληρός)

Ενεργοποιεί και απενεργοποιεί την τροφοδοσία συνεχούς ρεύματος (DC).

4. Υποδοχή σύνδεσης τροφοδοσίας ρεύματος

Συνδέεται με τροφοδοτικό συνεχούς ρεύματος (DC) 24 V.

5. Λαβές

Βοηθούν στην τοποθέτηση της οθόνης.

Προσοχή: Οι λαβές δεν προορίζονται για να συγκρατούν ολόκληρο το βάρος της οθόνης

6. Μεντεσέδες καλύμματος καλωδίων

Προσαρτούν το κάτω μέρος του καλύμματος καλωδίων στην οθόνη.

7. Ιμάντες Velcro

Οι ιμάντες βοηθούν στη διαχείριση του καλωδίου.

8. Βίδες κεφαλής καλύμματος καλωδίων

Προσαρτούν το κάλυμμα καλωδίων στην οθόνη. Σφίγγουν και χαλαρώνουν με τα δάχτυλα.

9. Κάλυμμα καλωδίων

Καλύπτει και αποκρύπτει τα καλώδια.

10. Κλιπ καλύμματος καλωδίων

Προσαρτούν το επάνω μέρος του καλύμματος καλωδίων στην οθόνη.

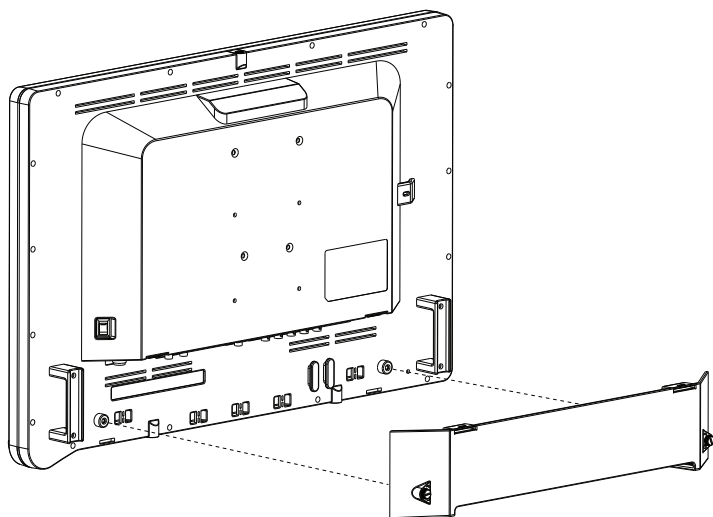
11. Διάταξη περιτύλιξης καλωδίου

Παρέχει μια θέση για την περιτύλιξη καλωδίων.

12. Λειτουργία ασφάλισης

Στο σημείο αυτό μπορεί να τοποθετηθεί ένας μηχανισμός ασφάλισης ή ένα καλώδιο για λόγους ασφαλείας.

Κάλυμμα καλωδίων



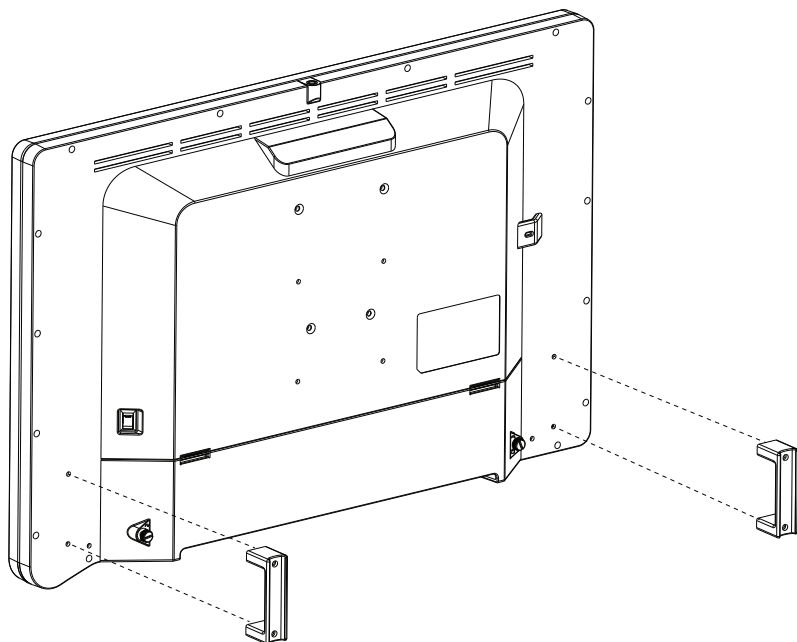
Τοποθέτηση του καλύμματος καλωδίων

1. Ευθυγραμμίστε τον αριστερό και δεξιό μεντεσέ του καλύμματος καλωδίων στο κάτω πίσω μέρος της οθόνης.
2. Κουμπώστε το επάνω μέρος του καλύμματος καλωδίων με τα κλιπ ευθυγράμμισης.
3. Με τα δάχτυλά σας, περιστρέψτε τις βίδες κεφαλής δεξιόστροφα για να σφίξετε και να ασφαλίσετε το κάλυμμα καλωδίων στην οθόνη.

Αφαίρεση του καλύμματος καλωδίων

1. Με τα δάχτυλά σας, περιστρέψτε τις βίδες κεφαλής αριστερόστροφα για να χαλαρώσουν.
2. Όταν χαλαρώσουν εντελώς οι βίδες κεφαλής, συμπιέστε το αριστερό και δεξιό κλιπ και τραβήξτε το κάλυμμα καλωδίων προς το μέρος σας.
3. Αφαιρέστε το κάλυμμα καλωδίων από τον αριστερό και δεξιό μεντεσέ.

Λαβές οθόνης



Προσοχή: Οι λαβές προορίζονται για χρήση ως βοήθημα κατά την τοποθέτηση της οθόνης, όχι για τη μεταφορά της οθόνης. Οι λαβές δεν θα πρέπει να συγκρατούν ολόκληρο το βάρος της οθόνης.

Αφαίρεση των λαβών οθόνης

1. Με ένα εξαγωνικό κλειδί 3 mm, χαλαρώστε τις δύο βίδες M4 x 30 mm και τραβήξτε προσεκτικά τη λαβή από την οθόνη.

Τοποθέτηση των λαβών οθόνης

1. Ευθυγραμμίστε τη λαβή με τις σπές των βιδών στο πίσω μέρος της οθόνης.
2. Με ένα εξαγωνικό κλειδί 3 mm, τοποθετήστε τις δύο βίδες M4 x 30 mm για να συνδέσετε τη λαβή.

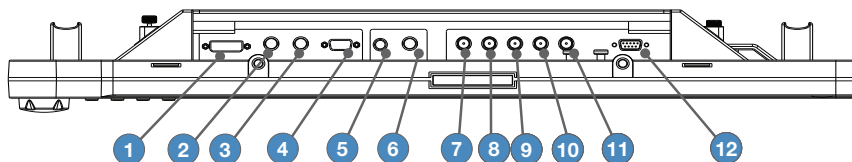
Εγκατάσταση

Η Stryker Endoscopy θεωρεί την εκπαιδευτική ή επιτόπια κατάρτιση αναπόσπαστο μέρος αυτής της συσκευής. Ο αντιπρόσωπος πωλήσεων της Stryker Endoscopy στην περιοχή σας θα πραγματοποιήσει τουλάχιστον μία επιτόπια εκπαίδευση, όποτε διευκολύνετε, για να σας βοηθήσει στην εγκατάσταση της συσκευής σας και να εκπαιδεύσει εσάς και το προσωπικό σας στη λειτουργία και τη συντήρησή της. Για να προγραμματίσετε μια επιτόπια εκπαίδευση, επικοινωνήστε με τον αντιπρόσωπο πωλήσεων της Stryker Endoscopy στην περιοχή σας μετά την παραλαβή της συσκευής σας.

Συνδέσεις

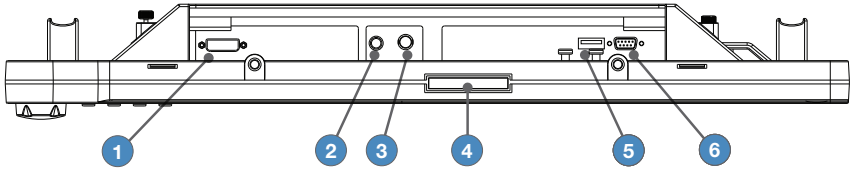
Θύρες σύνδεσης οθόνης LED VisionPro 26"

Τα σήματα εισόδου και εξόδου βίντεο συνδέονται στο πίσω μέρος της οθόνης, όπως απεικονίζεται παρακάτω:



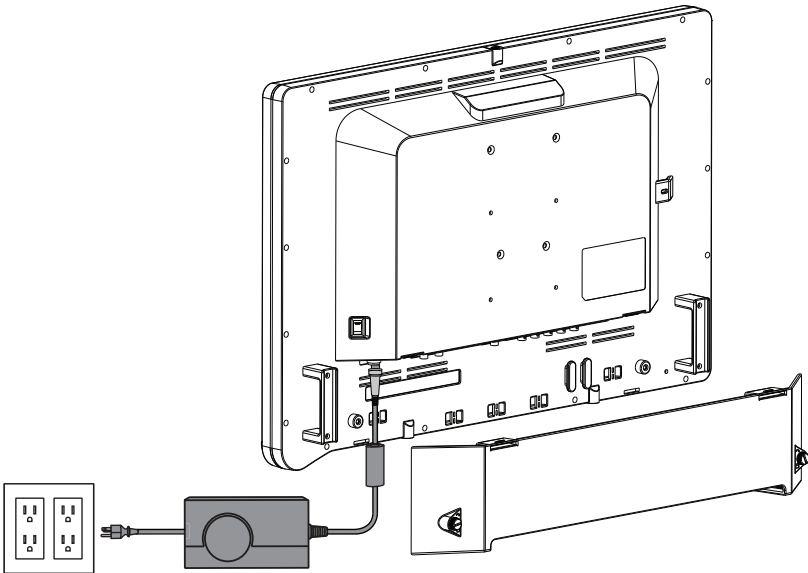
- | | |
|--|--------------------|
| 1. DVI (Ψηφιακή οπτική διασύνδεση) | 7. R/Pr |
| 2. SDI (Σειριακή ψηφιακή διασύνδεση) 3G/HD (Υψηλής ευκρίνειας)/SD (Τυπικής ευκρίνειας)-είσοδος | 8. G/Y |
| 3. SDI (Σειριακή ψηφιακή διασύνδεση) 3G/HD (Υψηλής ευκρίνειας)/SD (Τυπικής ευκρίνειας)-έξοδος | 9. B/Pb |
| 4. VGA (Προσαρμογέας γραφικών βίντεο) | 10. H-συγχρονισμός |
| 5. S-βίντεο | 11. V-συγχρονισμός |
| 6. C-βίντεο/SOG (Συγχρονισμός στο πράσινο) | 12. RS232 |

Θύρες σύνδεσης ασύρματης οθόνης LED VisionPro SYNK 26"



- | | |
|--|-------------------------------|
| 1. DVI (Ψηφιακή οπτική διασύνδεση) | 4. Βοηθητική υποδοχή σύνδεσης |
| 2. S-βίντεο | 5. USB |
| 3. C-βίντεο/SOG (Συγχρονισμός στο πράσινο) | 6. RS232 |

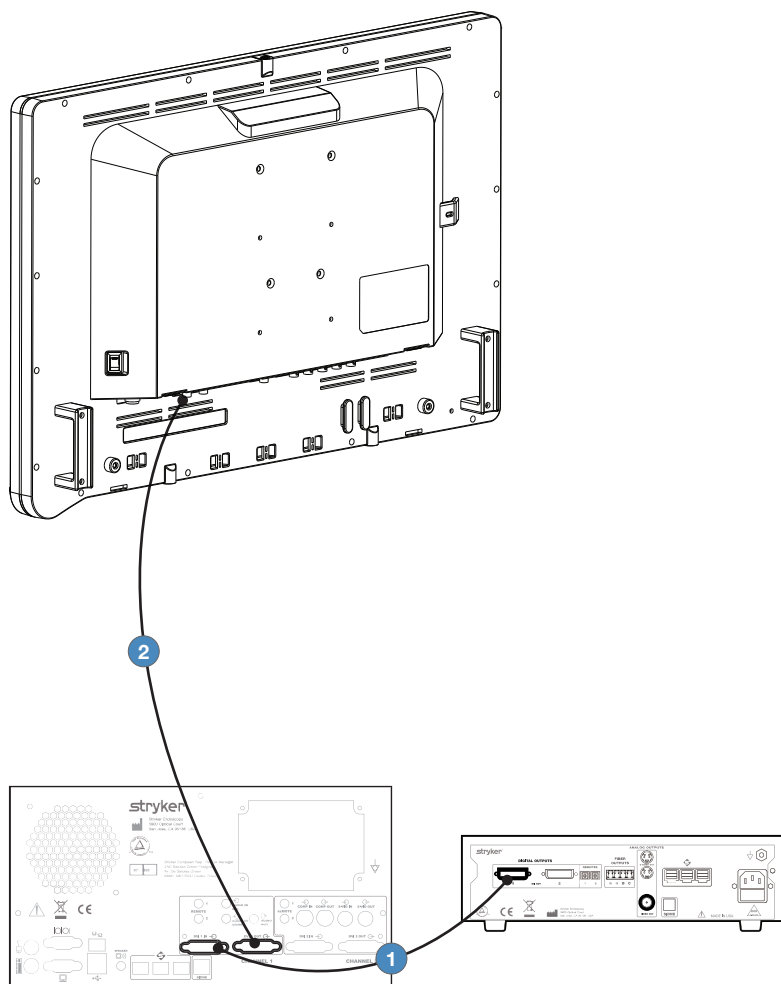
Σύνδεση στην παροχή ρεύματος



1. Συνδέστε την παροχή ρεύματος με την είσοδο 24 V στην οθόνη.
2. Συνδέστε το καλώδιο εναλλασσόμενου ρεύματος με την παροχή ρεύματος*.
3. Συνδέστε την παροχή εναλλασσόμενου ρεύματος, χρησιμοποιώντας το παρεχόμενο καλώδιο τροφοδοσίας νοσοκομειακού τύπου.
4. (Προαιρετικά, δεν απεικονίζεται) Συνδέστε ένα καλώδιο προέκτασης μεταξύ της παροχής ρεύματος και της οθόνης.
5. Τοποθετήστε το κάλυμμα καλωδίων.

* Πληροφορίες για την παροχή ρεύματος: Αριθμός μοντέλου: BPM150S24F11, Κατασκευαστής: Bridgerpower Corp.

Βασική εγκατάσταση βίντεο



1. Δρομολογήστε την έξοδο βίντεο 1 από την κάμερα στην είσοδο SDC DVI.
2. Δρομολογήστε την έξοδο βίντεο 1 από την έξοδο SDC DVI στην είσοδο DVI στην οθόνη.

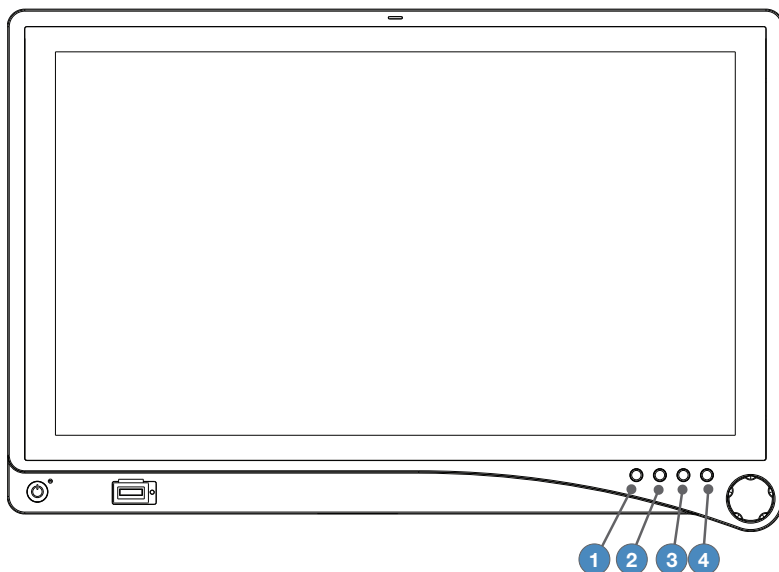
Σημείωση: Η Stryker συνιστά να υπάρχει εφεδρική σύνδεση προς την κάμερα.

Λειτουργία

Χειριστείτε την οθόνη χρησιμοποιώντας το περιστρεφόμενο κουμπί ελέγχου και τα τέσσερα κουμπιά που βρίσκονται στην πρόσοψη. Παρακάτω παρέχεται μια λίστα των κουμπιών ελέγχου της οθόνης και των λειτουργιών τους.

Προβολή επί της οθόνης (OSD)

Πρόσβαση στην Προβολή επί της οθόνης



Για να χρησιμοποιήσετε τα τέσσερα κουμπιά που βρίσκονται στην πρόσοψη:

- Ήχος/PIP (Ασύρματη οθόνη LED VisionPro SYNK 26"):**
 - Πατήστε δύο φορές για να ενεργοποιήσετε τον τρόπο λειτουργίας εικόνας (PIP -εικόνα σε εικόνα, PBP -εικόνα δίπλα σε εικόνα, POP -εικόνα επάνω σε εικόνα)
- PIP (Οθόνη LED VisionPro 26"):**
 - Πατήστε για να ενεργοποιήσετε τον τρόπο λειτουργίας εικόνας (PIP -εικόνα σε εικόνα, PBP -εικόνα δίπλα σε εικόνα, POP -εικόνα επάνω σε εικόνα)
- Φωτεινότητα:** Ενεργοποιεί το μενού ρύθμισης Φωτεινότητα.
- Ειδικότητα:** Ενεργοποιεί το μενού ρύθμισης Ειδικότητα.
- Είσοδος:** Ενεργοποιεί το μενού επιλογής Είσοδος.

Χρησιμοποιήστε το περιστρεφόμενο κουμπί ελέγχου για να πλοηγηθείτε στα μενού που εμφανίζονται στην οθόνη, μόλις ενεργοποιηθούν:

- **Πάτημα** — Παρέχει πρόσβαση/επιλέγει το μενού προβολής επί της οθόνης.
- **Περιστροφή προς τα δεξιά/αριστερά** — Με ενεργοποιημένο το μενού προβολής επί της οθόνης, με την περιστροφή αυξάνεται/μειώνεται η τιμή της επιλεγμένης παραμέτρου.
- **Πάτημα και κράτημα** — Πραγματοποιεί έξοδο από το μενού προβολής επί της οθόνης.

Λειτουργία της Προβολής επί της οθόνης

Το OSD της συσκευής βοηθά την πλοήγηση στα διάφορα μενού της συσκευής.

1. Πατήστε το **Περιστρεφόμενο κουμπί ελέγχου** για να ενεργοποιήσετε το μενού OSD.

2. Περιστρέψτε το **Περιστρεφόμενο κουμπί ελέγχου** για να μετακινηθείτε προς τα πάνω ή προς τα κάτω στο μενού.

Η παράμετρος επισημαίνεται όταν επιλεγεί.

3. Πατήστε το **Περιστρεφόμενο κουμπί ελέγχου** για να μεταβείτε στο επόμενο επίπεδο OSD.

4. Περιστρέψτε το **Περιστρεφόμενο κουμπί ελέγχου** για να αυξήσετε ή να μειώσετε την τιμή της επιλεγμένης παραμέτρου ή για να ενεργοποιήσετε μια από τις διάφορες επιλογές.

5. Για να κλείσετε την οθόνη του μενού OSD, από το μενού OSD δεύτερου ή τρίτου επιπέδου, επιλέξτε Exit (Έξοδος). Για να κλείσετε τελείως το OSD, πατήστε και κρατήστε πατημένο το **Περιστρεφόμενο κουμπί ελέγχου**. Εάν δεν πατήσετε κανένα πλήκτρο, το OSD κλείνει αυτόματα μετά την πάροδο του εργοστασιακά προκαθορισμένου χρόνου (ο χρόνος μπορεί να προσαρμοστεί).

Μενού OSD

Specialty (Ειδικότητα)

| Στοιχείο μενού | Περιγραφή | Εύρος |
|--|--|--------------------------|
| Color Temperature (Θερμοκρασία χρώματος)* | Επιλέγει μεταξύ των ρυθμίσεων θερμοκρασίας χρώματος για τις επιλογές Lap A (Λαπαροσκόπηση A), Lap B (Λαπαροσκόπηση B), Arthro A (Αρθροσκόπηση A), Arthro B (Αρθροσκόπηση B), Standard (Τυπική), PACS, NORM, ENT (ΩΡΛ), GYN (Γυναικολογία). | — |
| Red (Κόκκινο) | Ισορροπία κόκκινου | -128 – 127 |
| Green (Πράσινο) | Ισορροπία πράσινου | -128 – 127 |
| Blue (Μπλε) | Ισορροπία μπλε | -128 – 127 |
| Gamma (Γάμμα) | Τιμή γάμμα | 0,1 – 2,5, S0, S1, S2 |

* Η προσαρμογή θερμοκρασίας χρώματος RGB διατίθεται μόνο για τις ρυθμίσεις Standard (Τυπική), Arth (Αρθροσκόπηση) και Lap (Λαπαροσκόπηση). Οι προσαρμογές PACS και Norm είναι διαθέσιμες μόνο στην είσοδο SOG.

Audio (Ήχος) (Το μενού δεν είναι ενεργό επί του παρόντος)

Brightness Settings (Ρυθμίσεις φωτεινότητας)

| Στοιχείο μενού | Περιγραφή | Εύρος |
|---|--|---------|
| Brightness (Φωτεινότητα) | Αυξάνει ή μειώνει τη φωτεινότητα | 0 – 100 |
| Contrast (Αντίθεση) | Αυξάνει ή μειώνει την αντίθεση | 0 – 100 |
| Phase (Φάση)** | Αυξάνει ή μειώνει το επίπεδο φάσης | 0 – 100 |
| Chroma (Χρώμα)** | Αυξάνει ή μειώνει το επίπεδο χρώματος | 0 – 100 |
| Image Sharpness (Ευκρίνεια εικόνας) | Ρυθμίζει την ευκρίνεια της εικόνας | 1 – 10 |
| Video Sharpness (Ευκρίνεια βίντεο)** | Αυξάνει ή μειώνει την ευκρίνεια του βίντεο | 0 – 100 |

** Διαθέσιμο μόνο με είσοδο SDI-βίντεο, S-βίντεο ή C-βίντεο.

Image Effect (Επίδραση στην εικόνα)

| Στοιχείο μενού | Περιγραφή |
|---|--|
| Scale Mode (Τρόπος λειτουργίας κλίμακας) | Επιλέγει τρόπο λειτουργίας κλίμακας μεταξύ των ρυθμίσεων Fill All (Πλήρης οθόνη), V-Fill (Κατακόρυφη κάλυψη), H-Fill (Οριζόντια κάλυψη), One-To-One (Ένα προς ένα) και Fill-Aspect (Κάλυψη όψης) |
| Freeze Frame (Πάγωμα καρέ) | Ενεργοποιεί ή απενεργοποιεί το πάγωμα καρέ |
| PIP | Ενεργοποιεί τη λειτουργία Picture in picture (εικόνα σε εικόνα) |
| POP | Ενεργοποιεί τη λειτουργία Picture on picture (εικόνα επάνω σε εικόνα) |
| PBP | Ενεργοποιεί τη λειτουργία Picture by picture (εικόνα δίπλα σε εικόνα) |

Advanced Settings (Ρυθμίσεις για προχωρημένους)

| Στοιχείο μενού | Περιγραφή |
|---|--|
| Key Lock (Λειτουργία κλειδώματος) | Ενεργοποίηση λειτουργίας κλειδώματος: Απενεργοποιεί όλες τις λειτουργίες πλήκτρων Πατήστε και κρατήστε πατημένο το περιστρεφόμενο κουμπί ελέγχου για να απενεργοποιήσετε τη λειτουργία κλειδώματος. |
| Auto Source Select (Αυτόματη επιλογή πηγής) | Εκτελεί σάρωση των εισόδων μέχρι να εντοπιστεί μια ενεργή πηγή βίντεο. Η αυτόματη επιλογή πηγής είναι απενεργοποιημένη στους τρόπους λειτουργίας PIP/POP/PBP. |
| Sleep Timer (Χρονοδιακόπτης λειτουργίας αναμονής) | On (Ενεργοποίηση): Η οθόνη μεταβαίνει σε τρόπο λειτουργίας αναμονής εάν δεν εντοπιστεί καμία ενεργή πηγή βίντεο. |
| | Off (Απενεργοποίηση): Η οθόνη δεν μεταβαίνει σε τρόπο λειτουργίας αναμονής. |
| | Timer (Χρονοδιακόπτης): Ρυθμίστε την ώρα ωστόσο η οθόνη να μεταβεί σε τρόπο λειτουργίας αναμονής, εάν δεν εντοπιστεί καμία ενεργή πηγή βίντεο. |
| OSD Control (Έλεγχος OSD) | Ελέγχει τη θέση, το φόντο και το χρονικό όριο στο μενού OSD (Προβολή επί της οθόνης) |
| Restore Factory Settings (Επαναφορά εργοστασιακών ρυθμίσεων) | Επαναφέρει τις εργοστασιακές προεπιλογές |

| Στοιχείο μενού | Περιγραφή | |
|---|---|--|
| Screen Control (Έλεγχος οθόνης) | VGA | <ul style="list-style-type: none"> • Οριζόντια • Κατακόρυφη • Φάση • Συχνότητα |
| | S-βίντεο, C-βίντεο, SOG, RGB, Συνιστώσες | <ul style="list-style-type: none"> • Οριζόντια • Κατακόρυφη |

SYNK (για την ασύρματη οθόνη LED VisionPro SYNK 26")

| Κατάσταση | Περιγραφή |
|---|-----------|
| RX APP: XX.XX.XX RX MAC: XX.XX.XX.XX | Δέκτης |
| TX APP: XX.XX.XX TX MAC: XX.XX.XX.XX | Πομπός |
| WiFi SW: XXX-X.XX ΣΗΜΑ= Άριστο, Καλό, Ανεπαρκές Προεπιλεγμένη περιοχή: XXX FREQ (ΣΥΧΝ): XXXX MHz | Πομπός |

Information (Πληροφορίες)

| Στοιχείο μενού | Περιγραφή |
|--|---|
| User Name Entry (Εισαγωγή ονόματος χρήστη) | Εκτελεί μετάβαση στην οθόνη εισαγωγής ονόματος χρήστη για την εκκίνηση της οθόνης |
| Serial Number (Σειριακός αριθμός) | Προβάλλει τον σειριακό αριθμό της συσκευής |
| Runtime (Χρόνος λειτουργίας) | Προβάλλει τον τρέχοντα συνολικό χρόνο λειτουργίας της συσκευής |
| Input Format (Μορφή εισόδου) | Προβάλλει την τρέχουσα μορφή εισόδου |

Σημείωση: Οι πραγματικές τιμές που εμφανίζονται επί της οθόνης ενδέχεται να διαφέρουν ανάλογα με τις ενημερωμένες εκδόσεις του υλικολογισμικού και τις ρυθμίσεις του χρήστη.

Αντιμετώπιση προβλημάτων

Προτού επιστρέψετε την οθόνη σας για σέρβις, συμβουλευτείτε τον κατάλογο αντιμετώπισης προβλημάτων παρακάτω:

| Πρόβλημα | Τρέχουσα κατάσταση | Αποκατάσταση | |
|--|--|---|---|
| Απουσία εικόνας | Ενδεικτική λυχνία LED λειτουργίας αναμμένη | Χρησιμοποιώντας το μενού OSD, ρυθμίστε τη φωτεινότητα και την αντίθεση στη μέγιστη τιμή ή επαναφέρετέ τις στις προεπιλεγμένες ρυθμίσεις τους. | |
| | Ενδεικτική λυχνία LED λειτουργίας σβηστή | Βεβαιωθείτε ότι οι διακόπτες λειτουργίας στο μπροστινό και το πίσω μέρος της οθόνης βρίσκονται στη θέση ενεργοποίησης. | |
| | | Βεβαιωθείτε ότι το καλώδιο εναλλασσόμενου ρεύματος είναι σωστά συνδεδεμένο στον προσαρμογέα εναλλασσόμενου ρεύματος και την πρίζα. | |
| | Ενδεικτική λυχνία LED λειτουργίας αναβοσβήνει | Κόκκινο χρώμα | Η οθόνη βρίσκεται σε τρόπο λειτουργίας αναμονής. Πατήστε οποιοδήποτε πλήκτρο για ενεργοποίηση της οθόνης. |
| Πορτοκαλί χρώμα | | Το τροφοδοτικό ενδέχεται να έχει υψηλή ή χαμηλή τάση. | |
| Μη φυσιολογική εικόνα | Εικόνα υπερβολικού ή ανεπαρκούς μεγέθους, απουσία βίντεο ή μετατόπιση του κέντρου. | Χρησιμοποιώντας το μενού Έλεγχος οθόνης, προσαρμόστε τις ρυθμίσεις Φάση, Συχνότητα, Οριζόντια και Κατακόρυφη για να διορθώσετε την εικόνα της οθόνης. | |
| | | Προσαρμόστε τις ρυθμίσεις της επιλογής Scale Mode (Τρόπος λειτουργίας κλίμακας) | |
| | | Μόνο για είσοδο VGA: πατήστε και κρατήστε πατημένο το περιστρεφόμενο κουμπί ελέγχου για 1 – 2 δευτερόλεπτα για επανασυγχρονισμό της τροφοδοσίας βίντεο. | |
| | | Περιμένετε μερικά δευτερόλεπτα μετά τον αρχικό συγχρονισμό των σημάτων βίντεο ή απενεργοποιήστε και ενεργοποιήστε την οθόνη. | |
| Μήνυμα σφάλματος OSD | «Out of Range» (Εκτός εύρους) | Βεβαιωθείτε ότι είναι συνδεδεμένη μια αποδεκτή πηγή βίντεο. | |
| Η ενδεικτική λυχνία LED αδειοπλαισίου αναβοσβήνει με πορτοκαλί χρώμα | Σφάλμα | Επικοινωνήστε με αντιπρόσωπο σέρβις. | |

Καθαρισμός και συντήρηση



Προειδοποίηση

Για την αποφυγή ηλεκτροπληξίας και δυνητικά θανατηφόρου τραυματισμού, αποσυνδέστε την οθόνη και το τροφοδοτικό από την πρίζα ρεύματος πριν από τον καθαρισμό.

Προσοχή

- Μην ψεκάζετε υγρό καθαρισμού απευθείας επάνω στην οθόνη ή στο τροφοδοτικό, καθώς ενδέχεται να προκληθεί ζημιά στο προϊόν. Ψεκάζετε το υγρό επάνω σε πανί και, στη συνέχεια, σκουπίζετε με αυτό τη μονάδα.
- Μην εμβαπτίζετε την οθόνη ή το τροφοδοτικό σε οποιοδήποτε υγρό, διότι θα προκληθεί ζημιά στο προϊόν.
- Μην χρησιμοποιείτε διαβρωτικά καθαριστικά διαλύματα για τον καθαρισμό της οθόνης ή του τροφοδοτικού, καθώς ενδέχεται να προκληθεί ζημιά στο προϊόν.
- Μην αποστειρώνετε την οθόνη ή το τροφοδοτικό, καθώς ενδέχεται να προκληθεί ζημιά στο προϊόν.

Καθαρισμός

Για να καθαρίσετε την οθόνη ή το τροφοδοτικό:

1. Εάν το κάλυμμα οθόνης είναι τοποθετημένο, αφαιρέστε το πριν από τον καθαρισμό.
2. **Για την ασύρματη οθόνη LED VisionPro SYNK 26"**: Βεβαιωθείτε ότι έχετε τοποθετήσει το κάλυμμα στη σχισμή αδειοπλαισίου πριν από τον καθαρισμό.
3. Εμποτίστε ένα στεγνό αποστειρωμένο πανί με τυπικό απολυμαντικό ή ήπιο απορρυπαντικό.
4. Σκουπίστε την οθόνη ή το τροφοδοτικό.
5. Απαιτείται ιδιαίτερη προσοχή κατά τον καθαρισμό της οθόνης προβολής. Τυχόν εισχώρηση μεγάλης ποσότητας υγρού ή σταγόνων στο κάτω μέρος της οθόνης ή στην υποδοχή του τροφοδοτικού ενδέχεται να προκαλέσει ζημιά στο προϊόν.

Επιθεώρηση

Επιθεωρείτε πάντοτε το προϊόν πριν από τη χρήση. Εάν είναι εμφανής οποιαδήποτε από τις ακόλουθες καταστάσεις, ανατρέξτε στην ενότητα «Αντιμετώπιση προβλημάτων» στο παρόν έγγραφο. Εάν η απόδοση του προϊόντος παραμένει μη ικανοποιητική, διακόψτε τη χρήση και επικοινωνήστε με τον τοπικό αντιπρόσωπο της Stryker.

- Απουσία εικόνας, μη φυσιολογική εικόνα ή μη αποδεκτή ποιότητα εικόνας
- Αδυναμία ενεργοποίησης
- Ακατάλληλη λειτουργία ή απουσία απόκρισης πλήκτρων ή/και κουμπιών
- Σημαντική υλική φθορά στην οθόνη ή σε βοηθητικά εξαρτήματα, όπως μη αποδεκτή διαύγεια οθόνης, φθαρμένες επιστρώσεις, διάβρωση, αφύσικοι θόρυβοι, σχισίματα καλωδίων, εκτεθειμένη συνδεσμολογία ή/και οποιαδήποτε ζημιά που αποτρέπει μια ασφαλή διασύνδεση προσάρτησης
- Η λυχνία LED τροφοδοσίας αναβοσβήνει με πορτοκαλί χρώμα

Αναμενόμενη διάρκεια ζωής

Η διάρκεια ζωής της συσκευής και των βοηθητικών εξαρτημάτων της συσκευής καθορίζεται σε μεγάλο βαθμό από τη φθορά, τις μεθόδους καθαρισμού και τυχόν ζημιές που προκαλούνται από τη χρήση. Για να παρατείνετε το χρονικό διάστημα μεταξύ των σέρβις της συσκευής, τηρείτε πάντα τις οδηγίες φροντίδας και χειρισμού που περιλαμβάνονται στο παρόν εγχειρίδιο χρήσης και στο εγχειρίδιο χρήσης των βοηθητικών εξαρτημάτων της συσκευής.

Απόρριψη



Σύμφωνα με την ευρωπαϊκή οδηγία 2012/19/ΕΕ σχετικά με τα απόβλητα ηλεκτρικού και ηλεκτρονικού εξοπλισμού (ΑΗΗΕ) όπως τροποποιήθηκε, το προϊόν και τα βοηθητικά εξαρτήματα αυτού πρέπει να συλλέγονται χωριστά για ανακύκλωση. Δεν πρέπει να απορρίπτεται ως αδιαχώριστο αστικό απόβλητο. Για πληροφορίες σχετικά με την απόρριψη, επικοινωνήστε με τον τοπικό διανομέα. Βεβαιωθείτε ότι τυχόν μολυσμένος εξοπλισμός καθαρίζεται, πριν από την ανακύκλωση, σύμφωνα με την ενότητα «Καθαρισμός» στις παρούσες οδηγίες χρήσης και στις οδηγίες χρήσης των βοηθητικών εξαρτημάτων της συσκευής.

Απορρίψτε τυχόν βοηθητικά εξαρτήματα του συστήματος σύμφωνα με την τυπική πρακτική του ιδρύματος όσον αφορά τα δυνητικά μολυσμένα είδη.

Αναφορές ανεπιθύμητων συμβάντων

Οποιοδήποτε σοβαρό περιστατικό που προκύπτει σχετικά με αυτή τη συσκευή θα πρέπει να αναφέρεται στη Stryker και, στην Ευρωπαϊκή Ένωση, μέσω της αρμόδιας αρχής του κράτους μέλους στο οποίο κατοικεί το επηρεαζόμενο άτομο.

Τεχνικές προδιαγραφές

Οθόνη

| | |
|---|--|
| Επίπεδη οθόνη LCD | Διαγώνια 26" (661 mm) (a-Si TFT active matrix LCD) |
| Συγχρονισμός | 2,5 – 5,0 Vpp διαχωρισμένου συγχρονισμού |
| Βήμα εικονοστοιχείου | 0,300 (H) x 0,300 (V) mm |
| Χρόνος απόκρισης | < 18 ms Typ |
| Γωνία προβολής | Δεξιά/αριστερά/επάνω/κάτω 89 μοίρες |
| Χρώματα εικόνας | 1 δισεκατομμύριο χρώματα (10 bit) |
| Φυσική ανάλυση | 1920 (H) κουκκίδες x 1080 (V) mm γραμμές |
| Σήματα οθόνης LED VisionPro 26" | DVI, VGA, 3G/HD/SD-SDI (Είσοδος/Έξοδος), C-Video/SOG, S-Video, Component/RGB (Y/G, Pb/B, Pr/R, HS, VS), RS232 |
| Σήματα ασύρματης οθόνης LED VisionPro SYNK 26" | Ασύρματο ψηφιακό RGB, DVI, S-Video, C-Video/SOG, RS232 και USB |
| Χρονιστής μέγιστων εικονοστοιχείων | 165 MHz |

Ηλεκτρικές

| | |
|--|--|
| Προσαρμογέας ισχύος | Είσοδος: 100 – 240 VAC, 50 – 60 Hz, 2,5 A (2,5A - 1,5A) Έξοδος: Συνεχές ρεύμα 24 V, 6,25 A (μέγ. 150 W) Αριθμός μοντέλου: BPM150S24F11 |
| Κατανάλωση ισχύος (κατά προσέγγιση) | 35 – 65 Watt |

Ονομαστική τιμή έντασης/τάσης

Βεβαιωθείτε ότι το αντίστοιχο καλώδιο τροφοδοσίας συμμορφώνεται με τους ισχύοντες τοπικούς κανονισμούς και τα πρότυπα.

| | |
|---|--|
| Πρίζες ρεύματος 110 V +/- 10 V | Επιλέξτε ένα καλώδιο τροφοδοσίας που αναγράφεται ως UL και είναι πιστοποιημένο από την C.S.A., τύπου SJT ή SVT, 3 αγωγών, 18 AWG, που τερματίζει σε διαμορφωμένο κάλυμμα βύσματος νοσοκομειακού τύπου με ονομαστική τιμή 110 V +/- 10 V, 15 A και ελάχιστο μήκος 1,8 m. |
| Πρίζες ρεύματος 220 V +/- 20 V | Επιλέξτε ένα καλώδιο τροφοδοσίας που είναι διεθνώς εναρμονισμένο και φέρει την ένδειξη «<HAR>», 3 αγωγών, με ελάχιστο σύρμα 0,75 mm ² , ονομαστική τιμή 220 V +/- 20 V, 10 A με μονωμένη επένδυση PVC. Το καλώδιο πρέπει να έχει διαμορφωμένο κάλυμμα βύσματος με ονομαστική τιμή 220 V +/- 20 V, 10 A. Το καλώδιο και το κάλυμμα βύσματος πρέπει να είναι κατάλληλα για ιατρική χρήση. |

Διαστάσεις

| | |
|----------------------------------|-----------------------|
| Διαστάσεις (Π x Υ x Β) | 660,4 × 442 × 86,4 mm |
| Βάρος (κατά προσέγγιση) | 8,3 kg |
| Διασύνδεση στερέωσης VESA | VESA 100 × 100 mm |

Συνθήκες λειτουργίας

| | |
|--------------------------------|------------|
| Εύρος θερμοκρασίας | 10 – 40° C |
| Εύρος σχετικής υγρασίας | 25 – 75% |

Συνθήκες μεταφοράς και αποθήκευσης

| | |
|--------------------------------|-------------|
| Εύρος θερμοκρασίας | -18 – 60° C |
| Εύρος σχετικής υγρασίας | 15% – 90% |

Κατάταξη και εγκρίσεις

Εξοπλισμός κατηγορίας 1

Ιατρικός εξοπλισμός σχετικά με τους κινδύνους ηλεκτροπληξίας, πυρκαγιάς και άλλους μηχανικούς κινδύνους μόνο σύμφωνα με τα πρότυπα UL 60601-1 και CAN/CSA C22.2 Αρ. 601.1.

IP23: Προστασία έναντι πρόσβασης δαχτύλων ή παρόμοιων αντικειμένων σε επικίνδυνα μέρη, προστασία έναντι εισροής νερού μέσω ψεκασμού (λιγότερο από 60° από την κατακόρυφη θέση)

Συνεχής λειτουργία

Συμμόρφωση

Κανονισμοί FCC

Οθόνη LED VisionPro 26”:

FCC Μέρος 15 Κατηγορία Β

Αναγνωριστικό FCC: QVXAMM261WTDS

Ασύρματη οθόνη LED VisionPro SYNK 26”:

FCC Μέρος 15 Κατηγορία Β

Αναγνωριστικό FCC: QVXAMM261WTDSW

FCC Μέρος 15 Κατηγορία C

Αναγνωριστικό FCC: SSH-SYNKRX (Πλακέτα δέκτη)

Αναγνωριστικό FCC: SSH-SDMAN (Πλακέτα βοηθητικών εξαρτημάτων)

Κανονισμοί IC

Ασύρματη οθόνη LED VisionPro SYNK 26”:

IC: 4919C-SYNKRX (Πλακέτα δέκτη)

IC: 4919C-SDMAN (Πλακέτα βοηθητικών εξαρτημάτων)

Σημείωση: Για πληροφορίες σχετικά με αλλαγές και νέα προϊόντα, επικοινωνήστε με τον αντιπρόσωπο πωλήσεων της Stryker Endoscopy στην περιοχή σας.

Ηλεκτρομαγνητική συμβατότητα

Όπως και με κάθε άλλο ηλεκτρικό ιατρικό εξοπλισμό, για τη χρήση της οθόνης LED VisionPro 26" και της ασύρματης οθόνης LED VisionPro SYNK 26" απαιτούνται ειδικές προφυλάξεις, ώστε να διασφαλιστεί η ηλεκτρομαγνητική συμβατότητα με άλλες ηλεκτρικές ιατρικές συσκευές. Για τη διασφάλιση της ηλεκτρομαγνητικής συμβατότητας (ΗΜΣ), η οθόνη πρέπει να εγκαθίσταται και να λειτουργεί σύμφωνα με τις πληροφορίες περί ηλεκτρομαγνητικής συμβατότητας που παρέχονται στο παρόν εγχειρίδιο. Η οθόνη έχει σχεδιαστεί και δοκιμαστεί ώστε να συμμορφώνεται με τις απαιτήσεις του προτύπου IEC 60601-1-2 για την ηλεκτρομαγνητική συμβατότητα με άλλες συσκευές.

Σημείωση: Αυτός ο εξοπλισμός προορίζεται για χρήση σε επαγγελματικό περιβάλλον υγειονομικής περιθαλψής. Δεν προορίζεται για χρήση σε θωρακισμένη αίθουσα ραδιοσυχνότητων με ηλεκτροϊατρικό σύστημα απεικόνισης μαγνητικού συντονισμού, όπου η ένταση των ηλεκτρομαγνητικών διαταραχών είναι υψηλή.

Σημείωση: Αυτός ο εξοπλισμός δεν είναι ευαίσθητος σε παρεμβολές από χειρουργικά εργαλεία υψηλής συχνότητας στο ειδικό περιβάλλον, όταν βρίσκεται σε κοντινή απόσταση με ένα ενεργό χειρουργικό εργαλείο υψηλής συχνότητας. Εάν παρατηρήσετε παρεμβολές υψηλής συχνότητας από χειρουργικά εργαλεία, προσαρμόστε την απόσταση διαχωρισμού του εξοπλισμού.



Προειδοποίηση

Όταν η συσκευή αυτή είναι συνδεδεμένη με άλλον ηλεκτρικό εξοπλισμό, τα ρεύματα διαρροής ενδέχεται να είναι αθροιστικά. Για την ελαχιστοποίηση του συνολικού ρεύματος διαρροής ανά ασθενή, βεβαιωθείτε ότι όλα τα συστήματα είναι εγκατεστημένα σύμφωνα με τις απαιτήσεις του προτύπου IEC 60601-1-1.

Προσοχή

Ο φορητός και ο κινητός εξοπλισμός επικοινωνιών με ραδιοσυχνότητες ενδέχεται να επηρεάσει τη φυσιολογική λειτουργία της οθόνης. Μην χρησιμοποιείτε καλώδια ή βοηθητικά εξαρτήματα διαφορετικά από εκείνα που παρέχονται με την οθόνη, καθώς ενδέχεται να προκληθούν αυξημένες ηλεκτρομαγνητικές εκπομπές ή μειωμένη ατρωσία σε τέτοιου είδους εκπομπές.

Εάν η οθόνη χρησιμοποιείται δίπλα σε ή επάνω από άλλον εξοπλισμό, παρατηρήστε και επιβεβαιώστε τη φυσιολογική λειτουργία της οθόνης στη διαμόρφωση στην οποία θα χρησιμοποιηθεί πριν από τη χρήση της σε μια χειρουργική διαδικασία. Για καθοδήγηση σχετικά με την τοποθέτηση της οθόνης, συμβουλευτείτε τους παρακάτω πίνακες.


| Οδηγίες και δήλωση του κατασκευαστή: Ηλεκτρομαγνητικές εκπομπές | | |
|--|---------------|---|
| <p>Η οθόνη LED VisionPro 26" και η ασύρματη οθόνη LED VisionPro SYNK 26" προορίζονται για χρήση στο ηλεκτρομαγνητικό περιβάλλον που καθορίζεται παρακάτω. Ο πελάτης ή ο χρήστης της οθόνης θα πρέπει να διασφαλίζει ότι χρησιμοποιείται σε ανάλογο περιβάλλον.</p> | | |
| Δοκιμή εκπομπών | Συμμόρφωση | Ηλεκτρομαγνητικό περιβάλλον - οδηγίες |
| Εκπομπές ραδιοσυχνότητας σύμφωνα με το πρότυπο CISPR 11 | Ομάδα 1 | Οι οθόνες χρησιμοποιούν ενέργεια ραδιοσυχνότητας μόνο για την εσωτερική λειτουργία τους. Συνεπώς, οι εκπομπές ραδιοσυχνότητας είναι πολύ χαμηλές και δεν είναι πιθανόν να προκληθούν παρεμβολές σε παρακείμενο ηλεκτρονικό εξοπλισμό. |
| Εκπομπές ραδιοσυχνότητας σύμφωνα με το πρότυπο CISPR 11 | Κατηγορία Β | <p>Οι οθόνες είναι κατάλληλες για χρήση σε όλες τις εγκαταστάσεις, εκτός των οικιακών εγκαταστάσεων και εκείνων που συνδέονται απευθείας με το δημόσιο δίκτυο παροχής ρεύματος χαμηλής τάσης, το οποίο τροφοδοτεί τα κτίρια που χρησιμοποιούνται για οικιακούς σκοπούς, δεδομένου ότι ακολουθείται η παρακάτω προειδοποίηση:</p> <p>Προειδοποίηση: Αυτό το σύστημα προορίζεται για χρήση αποκλειστικά από επαγγελματίες υπαίτες. Αυτό το σύστημα ενδέχεται να προκαλέσει παρεμβολές ραδιοσυχνότητας ή να παρεμποδίσει τη λειτουργία παρακείμενου εξοπλισμού. Ενδέχεται να χρειαστεί να λάβετε μέτρα προστασίας, π.χ. να αλλάξετε τον προσανατολισμό ή τη θέση του συστήματος ή να θωρακίσετε το χώρο.</p> |
| Αρμονικές εκπομπές σύμφωνα με το πρότυπο IEC 61000-3-2 | Κατηγορία D | |
| Διακυμνήσεις τάσης/ασταθείς εκπομπές σύμφωνα με το πρότυπο IEC 61000-3-3 | Συμμορφώνεται | |

| Οδηγίες και δήλωση του κατασκευαστή — Ηλεκτρομαγνητική ατρωσία | | | |
|--|---|---|---|
| <p>Η οθόνη LED VisionPro 26" και η ασύρματη οθόνη LED VisionPro SYNK 26" προορίζονται για χρήση στο ηλεκτρομαγνητικό περιβάλλον που καθορίζεται παρακάτω. Ο πελάτης ή ο χρήστης της οθόνης θα πρέπει να διασφαλίζει ότι χρησιμοποιείται σε ανάλογο περιβάλλον.</p> | | | |
| Δοκιμή ατρωσίας | Επίπεδο δοκιμής κατά IEC 60601 | Επίπεδο συμμόρφωσης | Ηλεκτρομαγνητικό περιβάλλον - Οδηγίες |
| Ηλεκτροστατική εκκένωση (ESD) IEC 61000-4-2 | ± 8 kV μέσω επαφής ± 15 kV μέσω αέρα | ± 8 kV μέσω επαφής ± 15 kV μέσω αέρα | Τα δάπεδα θα πρέπει να είναι κατασκευασμένα από ξύλο, σκυρόδεμα ή κεραμικά πλακίδια. Εάν τα δάπεδα καλύπτονται με συνθετικό υλικό, η σχετική υγρασία θα πρέπει να είναι τουλάχιστον 30%. |
| Ταχεία παροδικά ηλεκτρικά ρεύματα/ριπές σύμφωνα με το πρότυπο IEC 61000-4-4 | ± 2 kV για γραμμές ηλεκτρικής παροχής ± 1 kV για γραμμές εισόδου/εξόδου (εάν ισχύει) | ± 2 kV γραμμή προς γείωση ± 1 kV γραμμή προς γραμμή (εάν ισχύει) | Η ποιότητα της παροχής ρεύματος από το κεντρικό δίκτυο θα πρέπει να είναι αυτή ενός τυπικού επαγγελματικού ή νοσοκομειακού περιβάλλοντος. |
| Υπέρταση IEC 61000-4-5 | ± 1 kV σε διαφορικό τρόπο λειτουργίας ± 2 kV σε κοινό τρόπο λειτουργίας | ± 1 kV σε διαφορικό τρόπο λειτουργίας ± 2 kV σε κοινό τρόπο λειτουργίας | Η ποιότητα της παροχής ρεύματος από το κεντρικό δίκτυο θα πρέπει να είναι αυτή ενός τυπικού επαγγελματικού ή νοσοκομειακού περιβάλλοντος. |
| Πτώσεις της τάσης, σύντομες διακοπές και μεταβολές της τάσης στις γραμμές εισόδου ηλεκτρικής παροχής IEC 61000-4-11 | 0% U_T για 0,5 κύκλο 0% U_T για 1 κύκλο 70% U_T για 25 κύκλους 0% U_T για 5 δευτερόλεπτα | 0% U_T για 0,5 κύκλο 0% U_T για 1 κύκλο 70% U_T για 25 κύκλους 0% U_T για 5 δευτερόλεπτα | Η ποιότητα της παροχής ρεύματος από το κεντρικό δίκτυο θα πρέπει να είναι αυτή ενός τυπικού επαγγελματικού ή νοσοκομειακού περιβάλλοντος. Εάν ο πομπός πρέπει να χρησιμοποιείται συνέχεια και κατά τη διάρκεια διακοπών ρεύματος, συνιστάται η τροφοδοσία του Ασύρματου πομπού από συσκευή αδιάλειπτης παροχής ρεύματος ή από μπαταρία. |
| Μαγνητικό πεδίο συχνότητας ισχύος (50/60 Hz) IEC 61000-4-8 | 30 A/m | 30 A/m | Τα μαγνητικά πεδία συχνότητας ισχύος θα πρέπει να βρίσκονται σε επίπεδα χαρακτηριστικά ενός τυπικού χώρου σε τυπικό επαγγελματικό ή νοσοκομειακό περιβάλλον. |
| Σημείωση: U_T είναι η τάση εναλλασσόμενου ρεύματος του κεντρικού δικτύου πριν από την εφαρμογή του επιπέδου δοκιμής. | | | |

Οδηγίες και δήλωση κατασκευαστή: Ηλεκτρομαγνητική ατρωσία

Η οθόνη LED VisionPro 26" και η ασύρματη οθόνη LED VisionPro SYNK 26" προορίζονται για χρήση στο ηλεκτρομαγνητικό περιβάλλον που καθορίζεται παρακάτω.

Ο πελάτης ή ο χρήστης της οθόνης θα πρέπει να διασφαλίζει ότι χρησιμοποιείται σε ανάλογο περιβάλλον.

| Δοκιμή ατρωσίας | Επίπεδο δοκιμής κατά IEC 60601 | Επίπεδο συμμόρφωσης | Ηλεκτρομαγνητικό περιβάλλον - Οδηγίες |
|---|--|---------------------|---|
| Αγόμενες ραδιοσυχνότητες IEC 61000-4-6 Ραδιοσυχνότητες διά ακτινοβολίας IEC 61000-4-3 | 3 Vrms 150 kHz έως 80 MHz 10 V/m 80 MHz έως 2,7 GHz | 3 V 10 V/m | <p>Ο φορητός και ο κινητός εξοπλισμός επικοινωνίας με ραδιοσυχνότητες θα πρέπει να χρησιμοποιείται σε απόσταση από οποιοδήποτε τμήμα των οθονών, συμπεριλαμβανομένων των καλωδίων τους, τουλάχιστον ίση με τη συνιστώμενη απόσταση διαχωρισμού, όπως αυτή υπολογίζεται βάσει της εξίσωσης που ισχύει για τη συχνότητα του πομπού.</p> <p>Συνιστώμενη απόσταση διαχωρισμού: $d = 2\sqrt{P}$ 80 MHz έως 2,7 GHz</p> <p>όπου P είναι η ονομαστική τιμή μέγιστης ισχύος εξόδου του πομπού σε Watt (W) σύμφωνα με τον κατασκευαστή του πομπού και d είναι η συνιστώμενη απόσταση διαχωρισμού σε μέτρα (m).</p> <p>Οι τιμές έντασης πεδίου από σταθερούς πομπούς ραδιοσυχνότητων, όπως καθορίζονται από μια επιτόπια ηλεκτρομαγνητική μελέτη (a), θα πρέπει να είναι μικρότερες από το επίπεδο συμμόρφωσης σε κάθε εύρος συχνοτήτων (b).</p> <p>Ενδέχεται να προκύψουν παρεμβολές κοντά σε εξοπλισμό που επισημαίνεται με το παρακάτω σύμβολο:</p>  |
| <p>(a) Οι τιμές έντασης πεδίου από σταθερούς πομπούς, όπως π.χ. σταθμούς βάσης για ραδιοπομπούς (κινητά/ασύρματα τηλέφωνα) και κινητούς ραδιοπομπούς ξηράς, ερασιτεχνικούς ραδιοφωνικούς σταθμούς, ραδιοφωνικές εκπομπές AM και FM και τηλεοπτικές μεταδόσεις, δεν είναι δυνατό να προβλεφθούν θεωρητικά με ακρίβεια. Για την αξιολόγηση του ηλεκτρομαγνητικού περιβάλλοντος σε σχέση με τους σταθερούς πομπούς ραδιοσυχνότητων, θα πρέπει να λαμβάνεται υπόψη κάποιος ηλεκτρομαγνητικός έλεγχος της περιοχής. Εάν η μετρούμενη ένταση πεδίου στην τοποθεσία στην οποία χρησιμοποιείται η οθόνη LED VisionPro 26" και η ασύρματη οθόνη LED VisionPro SYNK 26" υπερβαίνει το ισχύον επίπεδο συμμόρφωσης RF που αναφέρεται παραπάνω, η οθόνη και ο πομπός θα πρέπει να παρακολουθούνται ώστε να επιβεβαιώνεται η σωστή λειτουργία τους. Εάν παρατηρηθεί μη φυσιολογική λειτουργία, ενδέχεται να είναι απαραίτητη η λήψη επιπλέον μέτρων, όπως η αλλαγή προσανατολισμού ή θέσης της οθόνης.</p> <p>(b) Στο εύρος συχνοτήτων 150 kHz έως 80 MHz, οι τιμές έντασης πεδίου θα πρέπει να είναι μικρότερες από 3 V/m.</p> | | | |

| Δοκιμασμένες προδιαγραφές ατρωσίας σε εξοπλισμό ασύρματης επικοινωνίας με ραδιοσυχνότητες | | | | | | |
|--|-------------|--|--|-------------------|--------------|--------------------------------|
| Συχνότητα δοκιμής (MHz) | Ζώνη (MHz) | Σέρβις | Διαμόρφωση | Μέγιστη ισχύς (W) | Απόσταση (m) | Επίπεδο δοκιμής ατρωσίας (V/m) |
| 385 | 380 – 390 | TETRA 400 | Παλμική διαμόρφωση 18 Hz | 1,8 | 0,3 | 27 |
| 450 | 430 – 470 | GMRS 460, FRS 460 | FM Απόκλιση ± 5 kHz Ημιτονοειδές 1 kHz | 2 | 0,3 | 28 |
| 710 | 704 – 787 | Ζώνη LTE 13, 17 | Παλμική διαμόρφωση 217 Hz | 0,2 | 0,3 | 9 |
| 745 | | | | | | |
| 780 | | | | | | |
| 810 | 800 – 960 | GSM 800/900, TETRA 800, iDEN 820, CDMA 850, Ζώνη LTE 5 | Παλμική διαμόρφωση 18 Hz | 2 | 0,3 | 28 |
| 870 | | | | | | |
| 930 | | | | | | |
| 1720 | 1700 – 1990 | GSM 1800, CDMA 1900, GSM 1900, DECT, Ζώνη LTE 1, 3, UMTS 4, 25 | Παλμική διαμόρφωση 217 Hz | 2 | 0,3 | 28 |
| 1845 | | | | | | |
| 1970 | | | | | | |
| 2450 | 2400 – 2570 | Bluetooth, WLAN, 802.11 b/g/n, RFID 2450, Ζώνη LTE 7 | Παλμική διαμόρφωση 217 Hz | 2 | 0,3 | 28 |
| 5240 | 5100 – 5800 | WLAN 802,11 a/n | Παλμική διαμόρφωση 217 Hz | 0,2 | 0,3 | 9 |
| 5500 | | | | | | |
| 5785 | | | | | | |
| <p>Σημείωση: Θα πρέπει να χρησιμοποιείτε τον φορητό εξοπλισμό επικοινωνίας ραδιοσυχνότητας σε απόσταση μεγαλύτερη των 30 cm από την ασύρματη οθόνη LED VisionPro 26" και από την οθόνη LED VisionPro SYNK 26". Σε αντίθετη περίπτωση, μπορεί να προκληθεί υποβάθμιση της απόδοσης του εξοπλισμού.</p> | | | | | | |
| <p>Δια του παρόντος, η Stryker δηλώνει ότι η ασύρματη οθόνη LED VisionPro SYNK 26" πληροί τις απαραίτητες προϋποθέσεις και τις άλλες σχετικές απαιτήσεις που προβλέπονται από την Οδηγία 1999/5/EK. Αντίγραφο της δήλωσης συμμόρφωσης μπορείτε να εξασφαλίσετε από τη Stryker Endoscopy, 5900 Optical Court, San Jose, CA, 95138, Η.Π.Α.</p> | | | | | | |

Σύμβολα και επεξηγήσεις

Τα παρακάτω σύμβολα εμφανίζονται στο προϊόν, στις ετικέτες του ή στη συσκευασία του προϊόντος. Κάθε σύμβολο έχει ειδικό ορισμό, όπως ορίζεται παρακάτω:



Συμβουλευτείτε τις οδηγίες χρήσης



Προσοχή: Δείτε τις οδηγίες χρήσης



Σειριακός αριθμός



Ποσότητα



Εύρος θερμοκρασίας



Εύρος υγρασίας



Εξουσιοδοτημένος αντιπρόσωπος για την Ευρώπη



Χώρα προέλευσης



Αριθμός καταλόγου



Συνεχές ρεύμα



Ημερομηνία κατασκευής



Νόμιμος κατασκευαστής



Ελέγχθηκε ότι συμμορφώνεται με τα πρότυπα Κατηγορίας Β και C του FCC



Ασύρματη μετάδοση



Σύμφωνα με την ομοσπονδιακή νομοθεσία, η πώληση της παρούσας συσκευής επιτρέπεται μόνο από ιατρό ή κατόπιν εντολής ιατρού



Η συσκευή πληροί τις απαιτήσεις της Ευρωπαϊκής Ένωσης για τα ιατροτεχνολογικά προϊόντα



Κωδικός ανακύκλωσης συσκευής (ισχύει για την Κίνα)



Σήμανση CCC (Υποχρεωτικής πιστοποίησης για την Κίνα)

IP23

Το περίβλημα παρέχει προστασία έναντι:

- Πρόσβασης δαχτύλων ή παρόμοιων αντικειμένων σε επικίνδυνα μέρη
- Ψεκασμού νερού (λιγότερο από 60° από την κατακόρυφη θέση)



Συμμορφώνεται με τις ρυθμιστικές απαιτήσεις της Αυστραλίας



Ιατρικός εξοπλισμός σύμφωνα με τα πρότυπα AAMI ES60601-1 και CSA C22.2 Αρ. 60601-1-08-CAN/CSA σε σχέση με τους κινδύνους ηλεκτροπληξίας, πυρκαγιάς και άλλους μηχανικούς κινδύνους



Αυτό το προϊόν περιέχει απόβλητα ηλεκτρικού ή ηλεκτρονικού εξοπλισμού. Δεν πρέπει να απορρίπτεται μαζί με τα κοινά δημοτικά απορρίμματα και πρέπει να συλλέγεται ξεχωριστά.



Ιατροτεχνολογικό προϊόν στην Ευρωπαϊκή Ένωση

Cuprins

| | |
|---|---------------|
| Avertismente și atenționări | RO-411 |
| Despre dispozitivul dumneavoastră..... | RO-414 |
| Destinația de utilizare și indicații de utilizare | RO-415 |
| Contraindicații..... | RO-415 |
| Conținutul setului ambalat..... | RO-416 |
| Caracteristicile dispozitivului..... | RO-417 |
| Configurarea..... | RO-422 |
| Conexiuni | RO-422 |
| Configurarea de bază a semnalului video..... | RO-424 |
| Funcționarea | RO-425 |
| Afișaj pe ecran (OSD) | RO-425 |
| Meniuri OSD..... | RO-427 |
| Depanare..... | 430 |
| Curățarea și întreținerea | RO-431 |
| Specificații tehnice | RO-433 |
| Compatibilitatea electromagnetică..... | RO-435 |
| Simboluri și definiții..... | RO-439 |

Avertismente și atenționări

Vă rugăm să citiți cu atenție acest manual și să respectați întocmai instrucțiunile pe care le conține. Termenii avertisment, atenție și notă au semnificații speciale și trebuie revizuiți cu atenție:

Avertisment: indică măsuri de evitare a posibilelor răniri grave ale utilizatorului și ale pacientului.

Atenție: indică riscuri pentru echipament. Nerespectarea acestor atenționări poate duce la deteriorarea produsului.

Notă: oferă informații speciale pentru clarificarea instrucțiunilor sau prezintă informații utile suplimentare.

Avertismente

Pentru a evita potențialele răniri grave ale utilizatorului și ale pacientului, rețineți următoarele avertizări:

1. Citiți atent acest manual și familiarizați-vă cu conținutul acestuia înainte de a utiliza acest dispozitiv.
2. Legislația federală (Statele Unite ale Americii) limitează vânzarea acestui dispozitiv numai de către, sau la recomandarea, unui medic.
3. Despachetați cu grijă dispozitivul și verificați dacă s-au produs deteriorări la transport.
4. Acest dispozitiv este nesteril, astfel că nu trebuie așezat în câmpul steril.
5. Nu plasați dispozitivul sau orice alt obiect greu pe cablul de alimentare cu curent electric. Deteriorarea cablului poate produce incendii sau electrocutări.
6. Pentru a evita electrocutările, evitați demontarea ramei.
7. Acest dispozitiv nu trebuie utilizat lângă sau suprapus peste alte dispozitive. Dacă este necesară utilizarea adiacentă sau suprapusă, dispozitivul trebuie supravegheat pentru a verifica funcționarea normală în configurația în care urmează să fie utilizat.
8. Testați acest dispozitiv înainte de efectuarea unei intervenții chirurgicale. Acest dispozitiv a fost supus unor testări complete în fabrică, înainte de livrare.
9. Nu încercați să efectuați reparații interne sau reglaje care nu sunt descrise în mod explicit în acest manual. Asigurați faptul că reglajele ulterioare, modificările și/sau reparațiile sunt efectuate numai de către persoane autorizate de Stryker Endoscopy.
10. Nu așezați niciun obiect în panou. Dacă se întâmplă acest lucru, deconectați dispozitivul și solicitați verificarea de către personal calificat înainte de a continua să îl utilizați.
11. Utilizați măsuri de precauție adecvate pentru a preveni contactul cu lichidele dacă dispozitivul este utilizat cu o sursă de alimentare în spații destinate pacienților.
12. Utilizarea cablurilor și/sau a altor accesorii, decât cele specificate, cu acest dispozitiv poate duce la creșterea emisiilor sau la reducerea imunității acestui dispozitiv.

Atenționări

1. Conectați dispozitivul la un adaptor c.a. conectat la un cablu de alimentare de uz spitalicesc, asigurându-vă că cablul de alimentare este conectat cu o priză de curent împământată, pentru a se garanta siguranța împământării.

2. Nu sterilizați dispozitivul, deoarece componentele electronice sensibile ale acestuia nu vor rezista la această procedură.
3. Pentru afișaj trebuie să utilizați numai sursa de alimentare brevetată pentru afișaj chirurgical. Fixați în totalitate conexiunea dintre cablul de alimentare c.c. și cablul prelungitor.
4. Nu utilizați niciodată dispozitivul imediat după transportarea acestuia dintr-o locație cu temperatură scăzută într-o locație cu temperatură ridicată.
5. Pentru a efectua conexiunea la o priză universală, utilizați o fișă de conectare adecvată pentru priza de curent, așa cum se prezintă în secțiunea „Specificații tehnice” din acest manual.
6. Deconectați dispozitivul de la sursa de alimentare dacă acesta nu este utilizat pentru o perioadă mai lungă de timp. Pentru a deconecta cablul, deșurubați mai întâi fișa, apoi trageți de fișă pentru a scoate cablul. Nu trageți niciodată de cablu.
7. Nu expuneți dispozitivul la umezeală și nu aplicați direct pe ecran substanțe lichide de curățare. Pulverizați soluția de curățare pe o lavetă moale și curățați ușor. Pentru mai multe detalii, consultați secțiunea „Curățarea și întreținerea” din acest manual.
8. Asigurați o circulație adecvată a aerului pentru a preveni creșterea temperaturii interioare. Nu așezați dispozitivul pe suprafețe (covoare, păături etc.) sau lângă materiale (perdele, draperii) care pot bloca fantele de ventilație. Dispozitivul este răcit prin convecție naturală și nu este prevăzut cu ventilator.
9. Evitați contactul dintre conectorii de intrare sau de ieșire a semnalului și pacient. Echipamentul dotat cu conectori SIP/SOP trebuie să fie conform cu IEC 60601-1 și/sau cu standardele naționale armonizate la IEC 60601-1-1 sau combinația trebuie să fie evaluată pentru siguranță.
10. Pentru a asigura compatibilitatea electromagnetică, consultați secțiunea „Compatibilitatea electromagnetică” din acest manual. Afișajul LED VisionPro 26” (0240-031-020) și afișajul LED fără fir VisionPro SYNK 26” (0240-031-000) trebuie instalate și utilizate în conformitate cu informațiile CEM furnizate în acest manual.
11. Acordați o atenție deosebită instrucțiunilor de curățare din acest manual. Orice abatere poate produce deteriorări.
12. Nu instalați dispozitivul în zone expuse la razele solare, cu praf în exces, vibrații mecanice sau șocuri.
13. Nu poziționați dispozitivul într-un mod care face dificilă deconectarea cablului de alimentare de la sursa de curent electric.
14. Nu îl utilizați cu ecranul de sticlă al dispozitivului îndreptat în jos.
15. Manipulați cu grijă dispozitivul. Nu loviți și nu zgâriați ecranul.
16. Schimbările sau modificările care nu au fost aprobate în mod expres de partea care răspunde de conformitate pot duce la anularea autorizației utilizatorului de a folosi dispozitivul.

17. **Notă:** acest dispozitiv a fost testat și s-a stabilit că se încadrează în limitele fixate pentru un dispozitiv digital din Clasa B, în conformitate cu Secțiunea 15 a Reglementărilor FCC. Aceste limite sunt concepute pentru a se asigura o protecție rezonabilă împotriva interferențelor nocive în cadrul unei instalări fixe. Acest dispozitiv generează, utilizează și poate iradia energie cu radiofrecvență, iar în cazul în care nu este instalat și utilizat în conformitate cu instrucțiunile poate afecta negativ comunicațiile radio. Nu există garanția că nu se va produce interferență la nivelul unei anumite locații de instalare, aceasta putând fi determinată prin pornirea și oprirea dispozitivului. Utilizatorul este încurajat să încerce să neutralizeze interferența prin utilizarea uneia sau a mai multora dintre următoarele măsuri:

- Reorientați sau reamplasați dispozitivul de recepție.
- Măriți distanțele care separă dispozitivul.
- Conectați dispozitivul la o priză de alimentare situată pe un alt circuit decât cel de pe care sunt alimentate alte dispozitive.
- Consultați producătorul sau tehnicianul de servizare pentru asistență.

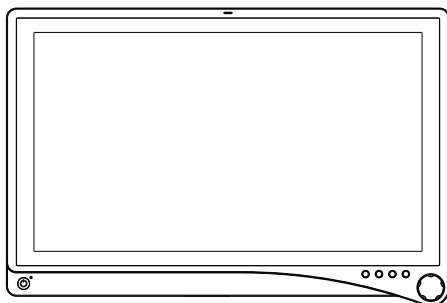
Garanția este anulată dacă este ignorată oricare dintre aceste avertizări și precauții.

Acest produs conține deșeuri de tip echipament electric sau electronic. Acesta nu trebuie eliminat în rețeaua municipală de colectare a deșeurilor nesortate și trebuie colectat separat.

Despre dispozitivul dumneavoastră

Afișaj LED VisionPro 26"

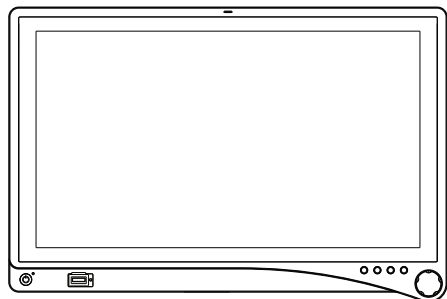
REF: 0240-031-020



Afișajul LED VisionPro 26" este un afișaj chirurgical LED cu ecran lat care poate accepta o rezoluție maximă de WUXGA (1.920 x 1.200). Afișajul este compatibil cu următoarele intrări video: RGB digital, RRB analog, interfață serială digitală (SDI), video-component (YPbPr/RGBS), S-Video și C-Video/SOG. Acesta este compatibil și cu comunicația în serie prin intermediul portului RS232.

Afișaj LED fără fir VisionPro SYNK 26"

REF: 0240-031-000



Afișajul LED fără fir VisionPro SYNK 26" poate fi utilizat cu transmițătorul SYNK opțional (0240-031-010) care îi permite să recepționeze semnale video de înaltă rezoluție prin intermediul unei legături cu radiofrecvență.

Afișajul este compatibil cu următoarele intrări video: DVI, S-Video și C-Video/SOG. Odată ce funcționalitatea fără fir este activată, afișajul acceptă intrarea video RGB digitală fără fir. Afișajul acceptă și un port USB și comunicația în serie prin intermediul portului RS232.

Notă: funcționalitatea fără fir a afișajului LED fără fir VisionPro SYNK 26" poate fi activată doar prin intermediul transmițătorului SYNK.

Pentru detalii și instrucțiuni cu privire la utilizarea transmițătorului fără fir SYNK și a funcționalității fără fir a afișajului LED fără fir VisionPro SYNK 26", consultați manualul sistemului fără fir SYNK (P21693).

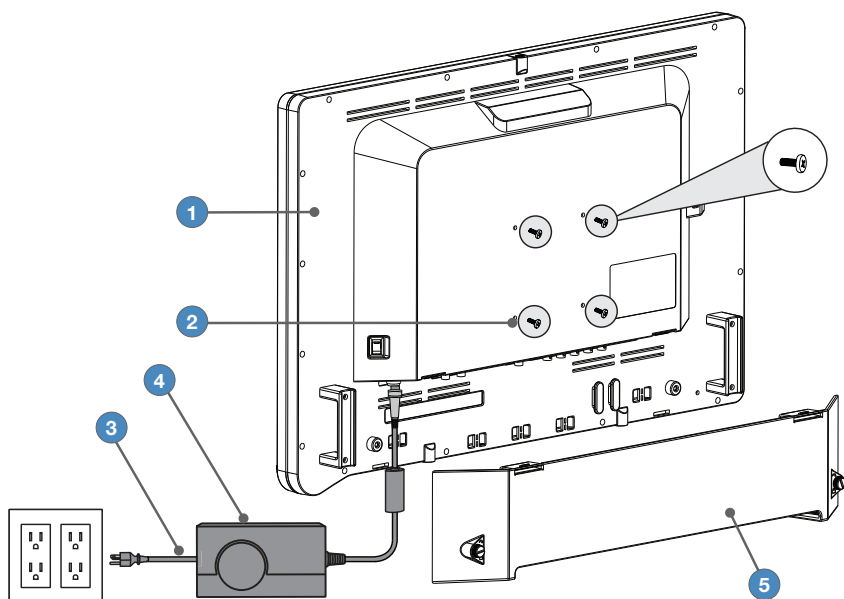
Destinația de utilizare și indicații de utilizare

Afișajul LED fără fir VisionPro SYNK 26" și afișajul LED VisionPro 26" sunt destinate pentru afișarea video pe durata procedurilor chirurgicale, inclusiv artroscopie (chirurgie ortopedică), laparoscopie (chirurgie generală și ginecologică), toracoscopie, endoscopie (chirurgie generală, gastroenterologică și ORL) și chirurgie generală. Afișajul este un dispozitiv reutilizabil nesteril care nu este conceput pentru utilizare în câmpul steril. Afișajul este conceput pentru utilizare de către medici calificați care dețin cunoștințe complete privind aceste proceduri chirurgicale.

Contraindicații

Nu există contraindicații cunoscute pentru acest dispozitiv.

Conținutul setului ambalat



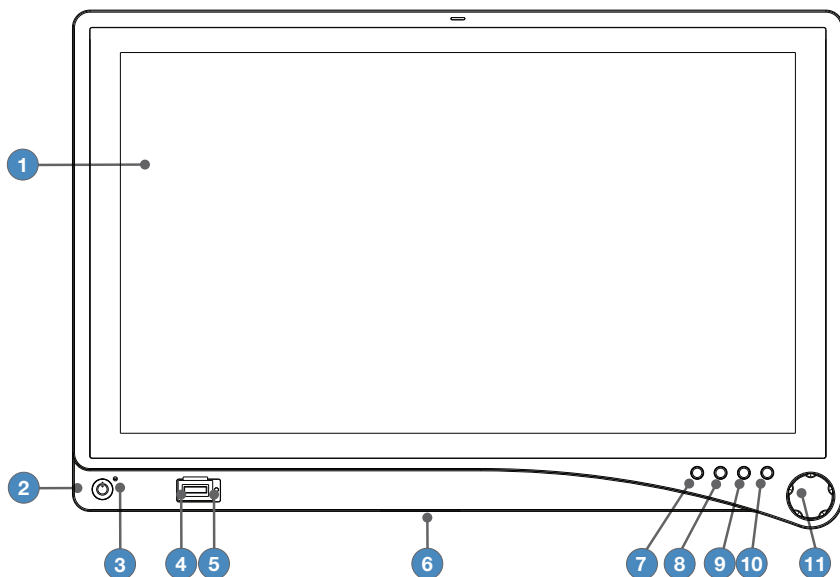
| Referință | Numărul piesei | Conținutul setului ambalat |
|-----------|------------------------------|--|
| 1 | 0240-031-020 0240-031-000 | Afișaj LED VisionPro 26" sau afișaj LED fără fir VisionPro SYNK 26" |
| 2 | – | (4) șuruburi VESA M4 × 16 mm |
| 3 | – | Cablu de alimentare c.a. de uz spitalicesc |
| 4 | 0240-031-004 | Sursă de alimentare de uz medical |
| 5 | – | Capac pentru cabluri |

| Numărul piesei | Accesorii opționale |
|----------------|--|
| 0240-031-002 | Capac pentru afișaj VisionPro 26" |
| 0240-031-004 | Sursă de alimentare de uz medical |
| 0240-031-010 | Transmițător fără fir SYNK |
| 0240-030-951 | Cablu prelungitor c.c. (5 pini) de 4,5 m |
| 0240-030-952 | Cablu prelungitor c.c. (5 pini) de 23 m |

Caracteristicile dispozitivului

Panou frontal

Operați afișajul utilizând butonul de comandă rotativ amplasat pe panoul frontal. În continuare este prezentată o listă a comenzilor afișajului și a funcțiilor acestora.



- | | |
|--|--|
| 1. Ecranul afișajului | Prezintă imaginea video. |
| 2. Comutator de alimentare (din software) | Pornește și oprește alimentarea cu energie electrică a afișajului. |
| 3. LED pentru alimentarea cu curent | Indică starea curentă: Verde - afișajul este pornit și se află în modul economizor de ecran Roșu intermitent - afișajul se află în starea de repaus |
| 4. Fantă de token (doar pentru afișajul LED fără fir VisionPro SYNK 26") | Chihlimbării intermitent - supratensiune sau subtensiune Loc de introducere pentru token, utilizat pentru realizarea unei conexiuni fără fir la transmițător. |
| 5. LED token (doar pentru afișajul LED fără fir VisionPro SYNK 26") | Verde - legătura este stabilită Chihlimbării - inițializare Chihlimbării intermitent - eroare, contactați reprezentantul de servizare |
| 6. Conexiune auxiliară | Acceptă conexiuni pentru dispozitive auxiliare. |

7. Audio/PIP

Afișaj LED VisionPro 26”:

Accesează meniul de reglare imagine-in-imagine.

Afișaj LED fără fir VisionPro SYNK 26”:

Apăsați de două ori pentru meniul de reglare imagine-in-imagine.

Notă: funcționalitatea audio nu este activată momentan.

8. Luminozitate

Accesează meniul de reglare pentru luminozitate.

9. Specialitate

Accesează meniul de reglare pentru specialitate.

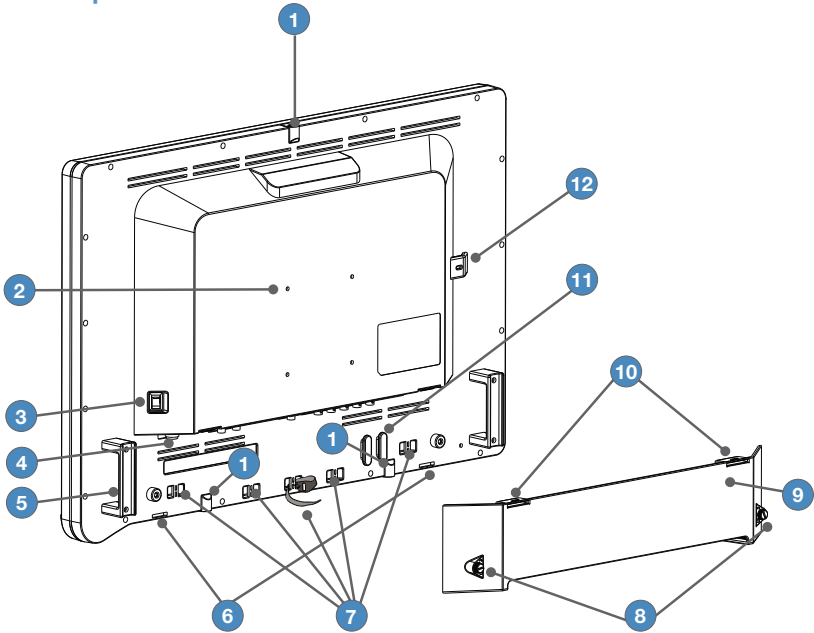
10. Intrare

Accesează meniul de selectare a intrării.

11. Buton de comandă rotativ

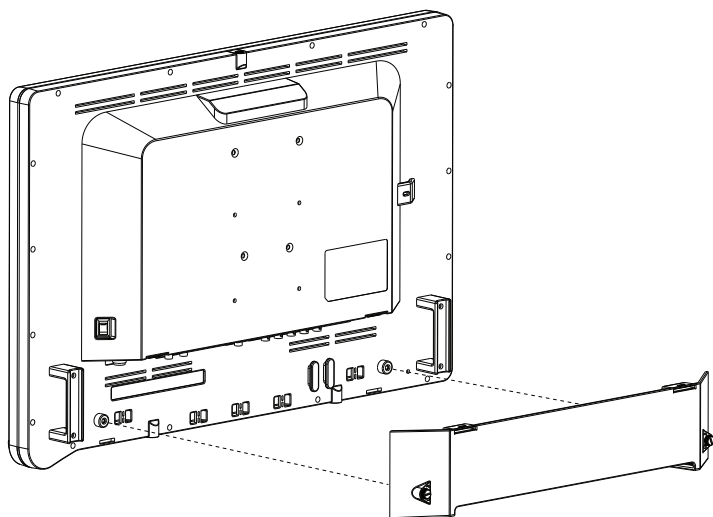
Accesează afișajul pe ecran și navighează prin funcțiile sale.

Panou din spate



- 1. Monturi accesorii (3)** Oferă un punct de acces pentru montarea accesoriilor opționale.
- 2. Găuri de montare VESA** Oferă puncte de acces pentru montarea afișajului.
- 3. Comutator de alimentare (din hardware)** Pornește și oprește alimentarea de intrare c.c.
- 4. Conector alimentare** Se conectează la sursa de alimentare cu c.c. de 24 V. Ajută la poziționarea afișajului.
- 5. Mânere** **Atenție: mânerul nu sunt destinate să susțină întreaga greutate a afișajului.**
- 6. Balamalele capacului pentru cabluri** Ațasează de afișaj partea de jos a capacului pentru cabluri.
- 7. Benzi velcro** Benzile ajută la organizarea cablurilor.
- 8. Șuruburile moletate ale capacului pentru cabluri** Ațasează de afișaj capacul pentru cabluri și se strâng sau se desfac cu ajutorul degetelor.
- 9. Capac pentru cabluri** Acoperă și ascunde cablurile.
- 10. Cleme ale capacului pentru cabluri** Ațasează de afișaj partea de sus a capacului pentru cabluri.
- 11. Înfășurător pentru cabluri** Pune la dispoziție un loc pentru înfășurarea cablurilor.
- 12. Funcție de blocare** Un cablu sau un mecanism de blocare poate fi dirijat aici în scopuri de securitate.

Capac pentru cabluri



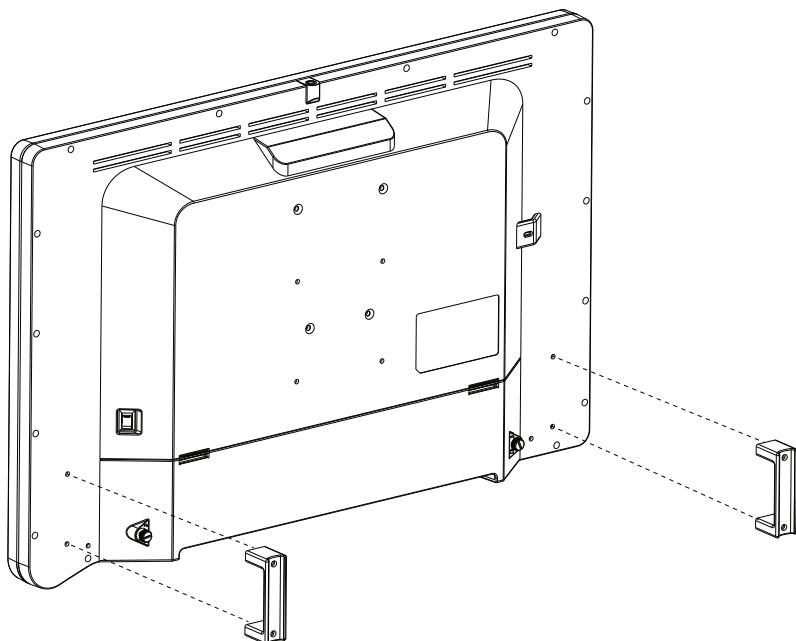
Instalarea capacului pentru cabluri

1. Aliniați balamalele stângi și drepte ale capacului pentru cabluri pe partea din spate jos a afișajului.
2. Prindeți secțiunea superioară a capacului pentru cabluri de clemele de aliniere.
3. Folosind degetele, rotiți în sens orar șuruburile moletate pentru a strânge și bloca capacul pentru cabluri pe afișaj.

Demontarea capacului pentru cabluri

1. Folosind degetele, rotiți în sens antiorar șuruburile moletate pentru a le desface.
2. Odată ce șuruburile moletate sunt în totalitate desfăcute, strângeți clemele stângi și drepte și trageți capacul pentru cabluri înspre dumneavoastră.
3. Demontați capacul pentru cabluri de la balamalele stângi și drepte.

Mânere pentru afișaj



Atenție: mânerul este destinat să ajute la poziționarea afișajului și nu la transportarea acestuia. Mânerele nu trebuie să susțină întreaga greutate a afișajului.

Demontarea mânerelor pentru afișaj

1. Folosind o cheie hexagonală de 3 mm, desfaceți cele două șuruburi M4 x 30 mm și trageți ușor mânerul de la afișaj.

Instalarea mânerelor pentru afișaj

1. Aliniați mânerul cu găurile pentru șuruburi de pe partea din spate a afișajului.
2. Folosind o cheie hexagonală de 3 mm, instalați cele două șuruburi M4 x 30 mm pentru a atașa mânerul.

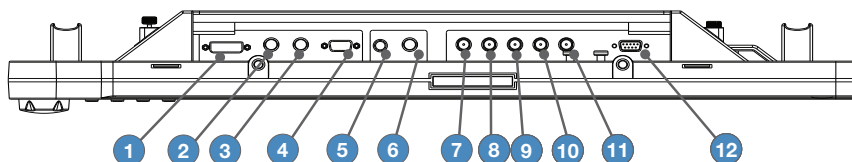
Configurarea

Stryker Endoscopy consideră pregătirea sau instruirea la locul de muncă drept parte integrantă a acestui dispozitiv. Reprezentanța dvs. locală de vânzări a Stryker Endoscopy va efectua cel puțin o dată instruirea la locul de muncă, la momentul și locul ales de dvs., pentru a vă ajuta să montați dispozitivul și pentru a vă instrui pe dvs. și personalul dvs. în utilizarea și întreținerea acestuia. După sosirea dispozitivului, contactați reprezentanța dvs. locală de vânzări a Stryker Endoscopy pentru a programa instruirea la locul de muncă.

Conexiuni

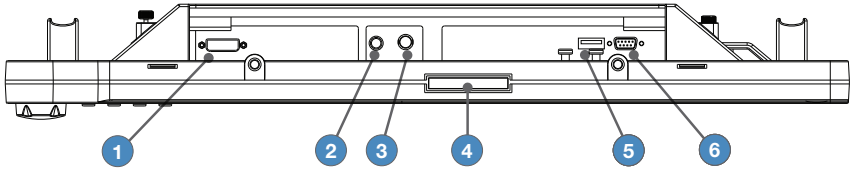
Porturi de conectare ale afișajului LED VisionPro 26"

Semnalele de intrare și ieșire video sunt conectate în partea din spate a afișajului, după cum este ilustrat mai jos:



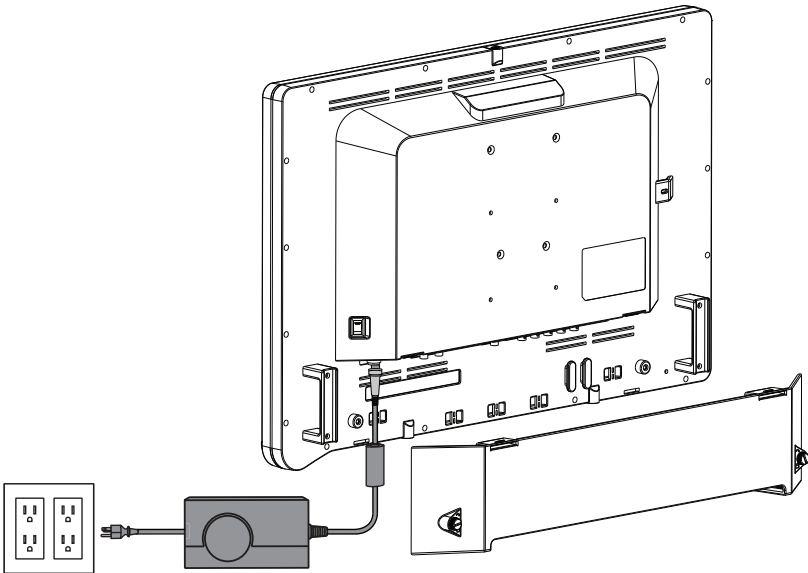
- | | |
|----------------------------|--|
| 1. DVI | 7. R/Pr |
| 2. 3G/HD/SD SDI-intrare | 8. G/Y |
| 3. 3G/HD/SD SDI-ieșire | 9. B/Pb |
| 4. VGA | 10. H-sync (sincronizare orizontală) |
| 5. S-Video | 11. V-sync (sincronizare verticală) |
| 6. C-Video/SOG | 12. RS232 |

Porturi de conectare ale afișajului LED fără fir VisionPro SYNK 26"



- | | |
|----------------|----------------------|
| 1. DVI | 4. Conector auxiliar |
| 2. S-Video | 5. USB |
| 3. C-Video/SOG | 6. RS232 |

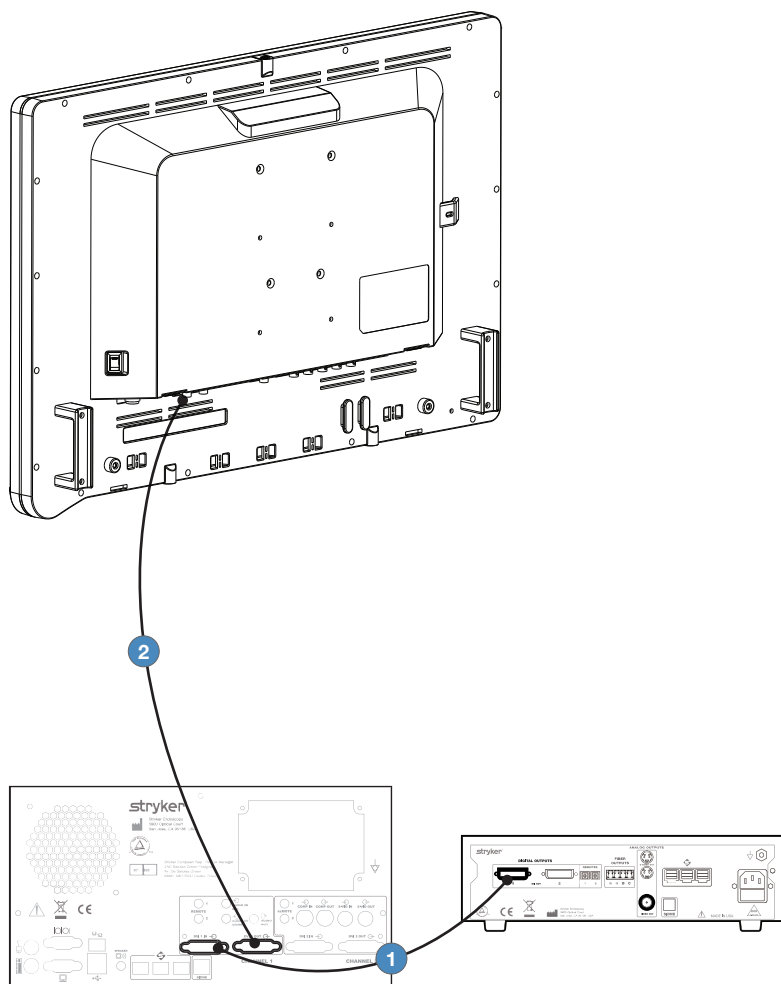
Conectarea sursei de alimentare



1. Conectați sursa de alimentare la intrarea de 24 V de pe afișaj.
2. Conectați cablul de alimentare c.a. la sursa de alimentare*.
3. Conectați alimentarea cu c.a. folosind cablul de alimentare de uz spitalicesc furnizat.
4. (Opțional, neafișat) Conectați un cablu prelungitor între sursa de alimentare și afișaj.
5. Instalați capacul pentru cabluri.

* Informații privind sursa de alimentare cu energie: număr de model: BPM150S24F11, producător: Bridgepower Corp.

Configurarea de bază a semnalului video



1. Dirijați ieșirea video 1 de la camera video la intrarea SDC DVI.
2. Dirijați ieșirea video 1 de la ieșirea SDC DVI la intrarea DVI de pe afișaj.

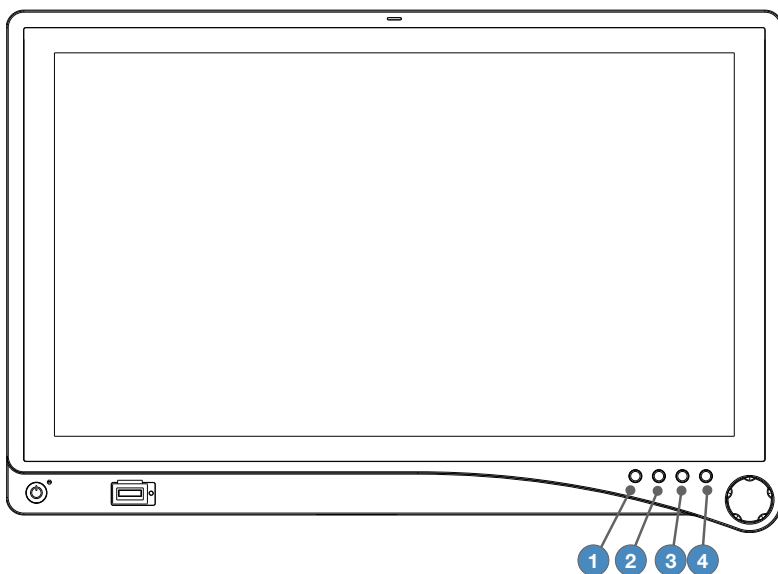
Notă: Stryker recomandă realizarea unei conexiuni de rezervă la camera video.

Funcționarea

Operați afișajul utilizând butonul de comandă rotativ și cele patru butoane amplasate pe panoul frontal. În continuare este prezentată o listă a comenzilor afișajului și a funcțiilor acestora.

Afișaj pe ecran (OSD)

Accesarea afișajului pe ecran



Pentru a utiliza cele patru butoane de pe panoul frontal:

- Audio/PIP (afișaj LED fără fir VisionPro SYNK 26"):**
 - apăsați de două ori pentru a activa modul imagine (imagine în imagine, imagine lângă imagine, imagine peste imagine)
- PIP (afișaj LED VisionPro 26"):**
 - apăsați pentru a activa modul imagine (imagine în imagine, imagine lângă imagine, imagine peste imagine)
- Luminozitate:** activează meniul de reglare pentru luminozitate.
- Specialitate:** activează meniul de reglare pentru specialitate.
- Intrare:** activează meniul de selectare a intrării.

Utilizați butonul de comandă rotativ pentru a naviga prin meniurile de pe ecran odată ce sunt activate:

- Împingere** — accesează/selectează meniul afișat pe ecran.
- Rotire dreapta/stânga** — cu meniul afișat pe ecran activat, rotirea mărește/micșorează valoarea parametrului selectat.
- Împingere și menținere** — iese din meniul afișat pe ecran.

Operarea afișajului pe ecran

Afișajul pe ecran (OSD) al dispozitivului ajută la navigarea prin diferitele meniuri ale dispozitivului.

1. Apăsați **butonul de comandă rotativ** pentru a activa meniul OSD.
2. Rotiți **butonul de comandă rotativ** pentru a vă deplasa în sus sau în jos prin meniu. Parametrul este evidențiat atunci când este selectat.
3. Apăsați **butonul de comandă rotativ** pentru a trece în următorul nivel OSD.
4. Rotiți **butonul de comandă rotativ** pentru a mări sau pentru a micșora valoarea parametrului selectat sau pentru a selecta alte opțiuni.
5. Pentru a ieși din ecranul meniului OSD al meniului OSD de nivel doi sau trei, selectați opțiunea ieșire. Pentru a ieși complet din OSD, apăsați și mențineți apăsat **butonul de comandă rotativ**. Dacă nu este apăsată nicio tastă, OSD va ieși automat după trecerea timpului prestabilit din fabrică (timpul poate fi personalizat).

Meniuri OSD

Speciality (Specialitate)

| Element de meniu | Descriere | Domeniul |
|---|--|-----------------------|
| Color Temperature (Temperatura culorii)* | Alege între temperaturile corespunzătoare culorilor pentru Lap A, Lap B, Arthro A, Arthro B, Standard, PACS, NORM, ENT, GYN. | — |
| Red (Roșu) | Echilibrul culorii roșu | -128 – 127 |
| Green (Verde) | Echilibrul culorii verde | -128 – 127 |
| Blue (Albastru) | Echilibrul culorii albastru | -128 – 127 |
| Gamma (Gama) | Valoarea pentru gama | 0,1 – 2,5, S0, S1, S2 |

* Reglarea temperaturii pentru gama RVA de culori nu este disponibilă decât pentru setările Standard, Arth și Lap. Reglările PACS și Norm sunt disponibile numai în cazul intrării SOG.

Audio (meniul nu este activ în acest moment)

Brightness Settings (Setări de luminozitate)

| Element de meniu | Descriere | Domeniul |
|--|--|----------|
| Brightness (Luminozitate) | Creșterea sau reducerea luminozității | 0 – 100 |
| Contrast | Creșterea sau reducerea contrastului | 0 – 100 |
| Phase (Fază)** | Creșterea sau reducerea nivelului pentru fază | 0 – 100 |
| Cromatică (Chroma)** | Creșterea sau reducerea nivelului pentru cromatică | 0 – 100 |
| Image Sharpness (Claritatea imaginii) | Setarea clarității imaginii | 1 – 10 |
| Video Sharpness (Claritatea video)** | Creșterea sau reducerea clarității video | 0 – 100 |

** Disponibilă numai în cazul semnalului de intrare video de tip SDI, S sau C.

Image Effect (Efectele de imagine)

| Element de meniu | Descriere |
|---------------------------------------|---|
| Scale Mode (Mod scală) | Selectarea modului de scalare dintre Fill All (Umplere completă), V-Fill (Umplere pe verticală), H-Fill (Umplere pe orizontală), One-To-One (Unu la unu) sau Fill-Aspect (Umplere aspect) |
| Freeze Frame (Înghețare cadru) | Activarea sau dezactivarea înghețării cadrului |
| PIP | Activarea funcției PIP (Picture in Picture - imagine în imagine) |
| POP | Activarea funcției POP (Picture on Picture - imagine peste imagine) |
| PBP | Activarea funcției PBP (Picture by Picture - imagine lângă imagine) |

Advanced Settings (Setări avansate)

| Element de meniu | Descriere | |
|---|--|--|
| Key Lock (Blocare taste) | Blocare taste pornită: dezactivează funcțiile tuturor tastelor Apăsăți butonul rotativ și mențineți-l apăsat pentru a opri blocarea tastelor. | |
| Auto Source Select (Autoselectare sursă) | Scanează intrările până când este detectată o sursă video activă. Autoselectarea sursei este dezactivată pe durata modului PIP/POP/PBP. | |
| Sleep Timer (Temporizator de repaus) | Pornit: afișajul intră în starea de repaus dacă nu este detectată nicio sursă video activă. | |
| | Oprit: afișajul nu va intra în starea de repaus. | |
| | Temporizator: setați durata până când afișajul intră în starea de repaus dacă nu este detectată nicio sursă video activă. | |
| OSD Control (Comandă OSD) | Controlează poziția meniului OSD (afișaj pe ecran), a fundalului și a intervalului de închidere automată a acestuia | |
| Restore Factory Settings (Restaurarea setărilor din fabrică) | Setarea la valorile implicite din fabrică | |
| Screen Control (Comandă ecran) | VGA | <ul style="list-style-type: none">• Horizontal• Vertical• Fază• Frecvență |
| | S-Video, C-Video, SOG, RGB, component | <ul style="list-style-type: none">• Horizontal• Vertical |

SYNK (pentru afișajul LED fără fir VisionPro SYNK 26”)

| Stare | Descriere |
|---|--------------|
| RX APP: XX.XX.XX RX MAC: XX.XX.XX.XX | Receptor |
| TX APP: XX.XX.XX TX MAC: XX.XX.XX.XX | Transmițător |
| WiFi SW: XXX-X.XX SEMNAL = excelent, bun, slab Regiune implicită: XX FRECVENȚĂ: XXXX MHz | Transmițător |

Informații

| Element de meniu | Descriere |
|---|---|
| User Name Entry (Introducere nume de utilizator) | Introducerea numelui personalizat al utilizatorului pentru afișajul din momentul pornirii |
| Serial Number (Număr de serie) | Afișarea numărului de serie al monitorului |
| Runtime (Timp de funcționare) | Afișează durata totală de funcționare a dispozitivului actual |
| Input Format (Format intrare) | Afișează formatul curent al semnalului de intrare |

Notă: valorile reale ale afișajului pe ecran pot diferi în funcție de versiunile programului și de setările utilizatorului.

Depanare

Înainte de a trimite afișajul spre servizare, consultați lista de depanare de mai jos:

| Problemă | Starea curentă | Remediu | |
|---|---|--|--|
| Nu există imagine | Porniți alimentarea cu curent a LED-ului | Utilizând meniul OSD, reglați la maximum luminozitatea și contrastul sau resetați-le la valorile implicite. | |
| | Opriiți alimentarea cu curent a LED-ului | Asigurați-vă că comutatorul de alimentare de pe partea frontală și din spate a afișajului sunt pornite. | |
| | | Verificați cablul de alimentare c.a. pentru a vedea dacă este conectat corect la adaptorul c.a. și la priză. | |
| | | Verificați sursa de alimentare pentru a vedea dacă este conectată în totalitate și funcționează corespunzător. | |
| LED-ul pentru alimentarea cu curent luminează intermitent | Roșu | Afișajul este în starea de repaus. Apăsați orice tastă pentru a reactiva afișajul. | |
| | Chihlimbariu | Este posibil ca sursa de alimentare să se afle în starea de supratensiune sau subtensiune. | |
| Imagine anormală | Semnal video supradimensionat, subdimensionat sau absent; sau deplasarea centrului. | Utilizând meniul Comandă ecran, reglați setările fază, frecvență, orizontal și vertical pentru a corecta imaginea afișajului. | |
| | | Reglați setările în modul scală. | |
| | | Doar pentru intrarea VGA: apăsați butonul de comandă rotativ și mențineți-l apăsat timp de 1 – 2 secunde pentru a resincroniza semnalul video. | |
| | | Așteptați câteva secunde după sincronizarea inițială a semnalelor video sau efectuați un ciclu de pornire/oprire pentru afișaj. | |
| Mesajul de eroare OSD | „În afara intervalului” | Asigurați-vă că este conectată o sursă video acceptabilă. | |
| LED-ul de token luminează chihlimbariu intermitent | Eroare | Contactați reprezentantul de servizare. | |

Curățarea și întreținerea



Avertisment

Pentru a evita electrocutarea și rănirile cu potențial letal, deconectați afișajul și sursa de alimentare de la priza electrică înainte de curățare.

Atenție

- Nu pulverizați lichid de curățare direct pe afișaj sau pe sursa de alimentare, deoarece se poate produce deteriorarea produsului. Pulverizați pe lavetă înainte de ștergerea unității.
- Nu scufundați afișajul sau sursa de alimentare în niciun fel de lichid, deoarece se va produce deteriorarea produsului.
- Nu utilizați soluții de curățare corozive pentru a curăța afișajul sau sursa de alimentare, deoarece se poate produce deteriorarea produsului.
- Nu sterilizați afișajul sau sursa de alimentare, deoarece se poate produce deteriorarea produsului.

Curățarea

Pentru a curăța afișajul sau sursa de alimentare:

1. În cazul în care capacul pentru afișaj este fixat în poziție, demontați-l înaintea curățării.
2. **Pentru ecranul LED fără fir VisionPro SYNK 26™**: asigurați-vă că amplasați capacul pe fanta de token înaintea curățării.
3. Aplicați un dezinfectant standard sau o soluție slabă de detergent pe o lavetă sterilă, uscată.
4. Ștergeți afișajul sau sursa de alimentare.
5. Acordați o atenție deosebită la curățarea ecranului afișajului. Lichidul sau picurările în exces care pătrund în partea de jos a ecranului sau a prizei sursei de alimentare pot deteriora produsul.

Verificarea

Inspectați întotdeauna produsul înaintea utilizării. Consultați secțiunea Depanare din acest document dacă sunt evidente oricare dintre următoarele condiții. Dacă performanța produsului este în continuare nesatisfăcătoare, încetați utilizarea și contactați reprezentantul Stryker.

- Lipsa imaginii, imagine anormală sau calitate neacceptabilă a imaginii
- Imposibilitatea de pornire a alimentării cu electricitate
- Funcționalitate necorespunzătoare sau nereceptivă a butoanelor și/sau a butoanelor rotative
- Deteriorare fizică semnificativă pe afișaj sau pe accesorii, inclusiv claritate neacceptabilă a ecranului, straturi de acoperire deteriorate, zgomote anormale, rupturi ale cablurilor, fire expuse și/sau orice alte deteriorări care împiedică existența unei interfețe sigure de montare
- LED-ul de alimentare luminează chihlimbariu intermitent

Durata de viață preconizată

Durata de viață a dispozitivului și a accesoriilor acestuia este determinată în mare măsură de uzură, de metodele de curățare și de daunele rezultate în urma utilizării. Pentru a prelungi durata dintre intervalele de întreținere a dispozitivului, urmați întotdeauna instrucțiunile de îngrijire și manipulare din acest manual de utilizare și din manualul de utilizare al accesoriilor dispozitivului.

Eliminarea



În conformitate cu Directiva 2012/19/UE privind deșeurile de echipamente electrice și electronice (DEEE), așa cum a fost modificată, produsul și accesoriile sale ar trebui să fie colectate separat în vederea reciclării. Nu eliminați produsul împreună cu deșeurile menajere nesortate. Pentru informații privind eliminarea, contactați distribuitorul local. Asigurați-vă că, înainte de reciclare, echipamentul infectat este curățat în conformitate cu secțiunea Curățarea din aceste instrucțiuni de utilizare și din instrucțiunile de utilizare ale accesoriilor dispozitivului.

Aruncați toate accesoriile sistemului în conformitate cu practicile normale ale instituției referitoare la obiectele potențial contaminate.

Raportarea evenimentelor adverse

Orice incident grav apărut în legătură cu acest dispozitiv trebuie raportat către Stryker și, în Uniunea Europeană, autorității competente a statului membru în care persoana afectată își are reședința.

Specificații tehnice

Afișajul

| | |
|---|---|
| Panoul afișajului LCD | Diagonală de 26" (661 mm) (LCD cu matrice activă TFT a/Si) |
| Sincronizarea | Sincronizare separată 2,5 – 5,0 Vpp |
| Pas pixel | 0,300 (orizontală) x 0,300 (verticală) mm |
| Timp de răspuns | < 18 ms în mod obișnuit |
| Unghiul de vizualizare | Stânga/dreapta/sus/jos 89 de grade |
| Culorile afișajului | 1 miliard de culori (10 biți) |
| Rezoluția nativă | 1920 (orizontală) puncte x 1080 (vertical) linii |
| Semnale afișaj LED VisionPro 26" | DVI, VGA, 3G/HD/SD-SDI (intrare/ieșire), C-Video/SOG, S-Video, component/RGB (Y/G, Pb/B, Pr/R, HS, VS), RS232 |
| Semnale afișaj LED fără fir VisionPro SYNK 26" | digital fără fir RGB, DVI, S-Video, C-Video/SOG, RS232 și USB |
| Frecvența maximă a pixelilor | 165 MHz |

Electrice

| | |
|---|---|
| Adaptorul pentru alimentarea cu curent | Intrare: 100 – 240 V c.a.; 50 – 60 Hz; 2,5 A (2,5 A – 1,5 A) Ieșire: 24 V c.c.; 6,25 A (150 W maximum) Număr de model: BPM150S24F11 |
| Consum de energie (aproximativ) | 35 – 65 wați |

Valoarea curentului/tensiunii

Asigurați-vă că respectivul cablu de alimentare este conform cu standardele și regulamentele locale aplicabile.

| | |
|--|---|
| Prize de alimentare de 110 V +/- 10 V | Alegeți un cablu de alimentare cu energie înregistrat UL și certificat C.S.A., tip SJT sau SVT, 3 conductori, de calibrul american pentru fire nr. 18, închis cu capac de fișă turnat sau de uz spitalicesc, evaluat la 110 V +/- 10 V, 15 A, cu o lungime minimă de 1,80 m. |
| Prize de alimentare de 220 V +/- 20 V | Alegeți un cablu de alimentare cu energie, armonizat la nivel internațional și marcat cu „<HAR>”, 3 conductori, cu fir de cel puțin 0,75 mm ² , evaluat la 220 V +/- 20 V, 10 A, cu înveliș izolat din PVC. Cablul trebuie să fie prevăzut cu un capac de fișă turnat, evaluat la 220 V +/- 20 V, 10 A. Cablul și capacul de fișă trebuie să fie adecvate pentru uzul medical. |

Dimensiuni

| | |
|--|-----------------------|
| Dimensiunile (l × î × a) | 660,4 × 442 × 86,4 mm |
| Greutate (aproximativă) | 8,3 kg |
| Interfața de montare VESA | VESA 100 x 100 mm |

Condiții de utilizare

| | |
|---------------------------------------|------------|
| Domeniul de temperatură | 10 – 40 °C |
| Domeniul de umiditate relativă | 25 – 75% |

Condiții de transport și depozitare

| | |
|---------------------------------------|-------------|
| Domeniul de temperatură | -18 – 60 °C |
| Domeniul de umiditate relativă | 15% – 90% |

Clasificare și avize

Echipament de Clasa 1
Echipament medical în conformitate cu prevederile UL 60601-1 și CAN/CSA C22.2 Nr. 601.1 în ceea ce privește electrocutarea, pericolele de incendiu și de natură mecanică.
IP23: protecție împotriva accesului degetelor sau a altor obiecte similare la părțile periculoase, protecție împotriva pătrunderii apei sau apei pulverizate (la mai puțin de 60° din poziție verticală)
Funcționare continuă

Conformitatea

Regulamente FCC

Afișaj LED VisionPro 26”:

FCC Secțiunea 15, Clasa B
Identificator FCC: QVXAMM261WTDS

Afișaj LED fără fir VisionPro SYNK 26”:

FCC Secțiunea 15, Clasa B
Identificator FCC: QVXAMM261WTDSW

FCC Secțiunea 15, Clasa C
Identificator FCC: SSH-SYNKRX (placă receptoare)
Identificator FCC: SSH-SDMAN (placă accesorie)

Regulamente IC

Afișaj LED fără fir VisionPro SYNK 26”:

IC: 4919C-SYNKRX (placă receptoare)
IC: 4919C-SDMAN (placă accesorie)

Notă: vă rugăm să contactați reprezentanța dvs. locală de vânzări a Stryker Endoscopy pentru informații referitoare la modificări și la noile produse.

Compatibilitatea electromagnetică

Ca orice alt echipament electric medical, afișajul LED VisionPro 26" și afișajul LED fără fir VisionPro SYNK 26" necesită precauții speciale pentru asigurarea compatibilității electromagnetice cu alte dispozitive electrice medicale. Pentru asigurarea compatibilității electromagnetice (CEM), afișajul trebuie instalat și utilizat în conformitate cu informațiile CEM oferite în acest manual. Afișajul a fost proiectat și testat pentru a fi în conformitate cu cerințele IEC 60601-1-2 privind CEM cu alte dispozitive.

Notă: acest echipament este conceput pentru a fi utilizat într-un mediu profesionist din domeniul medical. Nu este destinat pentru utilizarea într-o încăpere ecranată RF ce conține un sistem electric medical pentru imagistică prin rezonanță magnetică, unde intensitatea turbulențelor EM este ridicată.

Notă: acest echipament nu este considerat susceptibil pentru interferențe primite de la instrumentele chirurgicale cu frecvență înaltă (HF) în mediul special dacă se află în proxima vecinătate a unui instrument chirurgical HF activ. În caz că se observă interferență de la instrumentele chirurgicale HF, reglați distanța de separare a echipamentelor.



Avertisment

Atunci când acest dispozitiv este conectat împreună cu alte echipamente electrice, scurgerile de curent pot să se cumuleze. Pentru a reduce la minimum scurgerile totale de curent per pacient, asigurați-vă că toate sistemele sunt instalate în conformitate cu cerințele IEC 60601-1-1.

Atenție

Echipamentele portabile și mobile de comunicații prin RF pot afecta funcționarea normală a afișajului. Nu utilizați alte cabluri sau accesorii decât cele livrate împreună cu afișajul, deoarece acest lucru poate conduce la creșterea emisiilor electromagnetice sau la reducerea imunității față de astfel de emisii. Dacă afișajul este utilizat lipit de sau suprapus peste alte echipamente, supravegheați și verificați funcționarea normală a afișajului în configurația în care urmează să fie utilizat înainte de a îl folosi în cadrul unei proceduri chirurgicale. Pentru îndrumări privind amplasarea afișajului, consultați tabelele de mai jos.


| Instrucțiuni și declarația producătorului: emisiile electromagnetice | | |
|---|---------------|---|
| Afășajul LED VisionPro 26" și afășajul LED fără fir VisionPro SYNK 26" sunt destinate pentru utilizarea în mediul electromagnetic specificat mai jos. Clientul sau utilizatorul afășajului trebuie să se asigure de faptul că acesta este utilizat într-un astfel de mediu. | | |
| Testul de emisii | Conformitatea | Mediul electromagnetic - instrucțiuni |
| Emisii în RF CISPR 11 | Grupa 1 | Afășajele utilizează energie în RF numai pentru funcționarea lor internă; din acest motiv, emisiile lor RF sunt foarte reduse și este puțin probabil să producă interferență la nivelul echipamentelor electronice din vecinătate. |
| Emisii în RF CISPR 11 | Clasa B | Afășajele sunt adecvate pentru utilizarea în toate locațiile, cu excepția spațiilor rezidențiale și a celor care sunt conectate direct la rețeaua publică de alimentare electrică de joasă tensiune, care alimentează clădirile utilizate în scop rezidențial, cu condiția respectării următorului avertisment: Avertisment: acest sistem este conceput pentru a fi utilizat numai de profesioniști specializați din domeniul medical. Acest sistem poate să producă interferență radio sau poate să întrerupă funcționarea echipamentelor din vecinătate. Poate să fie necesară luarea de măsuri de atenuare a acestui efect, cum ar fi reorientarea sau reamplasarea sistemului sau ecranarea locației de amplasare. |
| Emisiile armonice IEC 61000-3-2 | Clasa D | |
| Fluctuațiile de tensiune/emisiile intermitente IEC 61000-3-3 | Conforme | |

| Indicații și declarația producătorului — Imunitatea electromagnetică | | | |
|---|---|---|---|
| Afășajul LED VisionPro 26" și afășajul LED fără fir VisionPro SYNK 26" sunt destinate pentru utilizarea în mediul electromagnetic specificat mai jos. Clientul sau utilizatorul afășajului trebuie să se asigure de faptul că acesta este utilizat într-un astfel de mediu. | | | |
| Testul de imunitate | Nivel de test IEC 60601 | Nivelul de conformitate | Mediul electromagnetic - Instrucțiuni |
| Descărcarea electrostatică (DES) IEC 61000-4-2 | contact ± 8 kV aer ± 15 kV | contact ± 8 kV aer ± 15 kV | Pardoseala trebuie să fie din lemn, beton sau gresie. Dacă podelele sunt acoperite cu material sintetic, umiditatea relativă trebuie să fie de cel puțin 30%. |
| Impulsuri electrice tranzitorii rapide/ în rafale IEC 61000-4-4 | ± 2 kV pentru liniile de alimentare cu energie electrică ± 1 kV pentru liniile de intrare/ieșire (dacă este cazul) | ± 2 kV de la linie la împământare ± 1 kV de la linie la linie (dacă este cazul) | Calitatea curentului din rețea trebuie să fie cea obișnuită pentru un mediu comercial sau spitalicesc. |
| Supratensiune IEC 61000-4-5 | ± 1 kV în modul diferențial ± 2 kV în modul comun | ± 1 kV în modul diferențial ± 2 kV în modul comun | Calitatea curentului din rețea trebuie să fie cea obișnuită pentru un mediu comercial sau spitalicesc. |
| Scăderi ale tensiunii, întreruperi scurte și variații de tensiune pe cablurile de alimentare cu energie electrică IEC 61000-4-11 | 0% U_i ; 0,5 ciclu 0% U_i ; 1 ciclu 70% U_i ; 25 de cicluri 0% U_i , 5 secunde | 0% U_i ; 0,5 ciclu 0% U_i ; 1 ciclu 70% U_i ; 25 de cicluri 0% U_i , 5 secunde | Calitatea curentului din rețea trebuie să fie cea obișnuită pentru un mediu comercial sau spitalicesc. Dacă utilizatorul transmiișătorului are nevoie de o funcționare continuă pe parcursul întreruperilor alimentării cu curent electric, este recomandată alimentarea transmiișătorului fără fir de la o sursă neîntreruptibilă sau de la un acumulator. |
| Câmpul magnetic al frecvenței curentului electric (50/60 Hz) IEC 61000-4-8 | 30 A/m | 30 A/m | Câmpurile magnetice ale frecvenței curentului electric trebuie să se situeze la niveluri caracteristice pentru o locație tipică dintr-un mediu comercial sau de spital caracteristic. |
| Notă: U_i este tensiunea rețelei de c.a. înainte de aplicarea nivelului de testare. | | | |

Instrucțiuni și declarația producătorului: imunitatea electromagnetică

Afișajul LED VisionPro 26" și afișajul LED fără fir VisionPro SYNK 26" sunt destinate pentru utilizarea în mediul electromagnetic specificat mai jos.

Clientul sau utilizatorul afișajului trebuie să se asigure de faptul că acesta este utilizat într-un astfel de mediu.

| Testul de imunitate | Nivel de test IEC 60601 | Nivelul de conformitate | Mediul electromagnetic – Instrucțiuni |
|-----------------------------|--|-------------------------|---|
| RF condusă IEC 61000-4-6 | 3 Vrms De la 150 kHz până la 80 MHz | 3 V | Echipamentele portabile și mobile de comunicații RF nu trebuie utilizate mai aproape de orice componentă a afișajelor, inclusiv cablurile acestora, decât distanța recomandată pentru separarea echipamentelor, calculată din ecuația aplicabilă pentru frecvența transmițătorului. Distanța recomandată pentru separarea echipamentelor: $d = 2\sqrt{P}$ între 80 MHz și 2,7 GHz unde P este valoarea maximă a puterii de ieșire a transmițătorului în wați (W) în conformitate cu specificațiile producătorului transmițătorului, iar d este distanța recomandată pentru separarea echipamentelor în metri (m). Intensitățile câmpurilor provenite de la transmițătoarele în RF fixe, așa cum au fost determinate printr-un studiu electromagnetic al zonelor de amplasare a acestora (a), trebuie să fie mai mici decât nivelul de conformitate pentru fiecare gamă de frecvență (b). Se poate produce interferență în vecinătatea echipamentelor marcate cu următorul simbol:  |
| RF radiată IEC 61000-4-3 | 10 V/m De la 80 MHz până la 2,7 GHz | 10 V/m | |

(a) Intensitățile câmpurilor provenite de la transmițătoarele fixe, cum ar fi stațiile de bază pentru telefoanele radio (celulare/fără fir) și radiourile mobile terestre, stațiile de radioamatorism, transmisia radio AM și FM și transmisia TV, nu pot fi anticipate cu precizie în mod teoretic. Pentru a evalua mediul electromagnetic produs de transmițătoarele în RF fixe, trebuie luată în calcul efectuarea unui studiu electromagnetic în locul respectiv. Dacă forțele măsurate ale câmpului în locația în care sunt utilizate afișajul LED VisionPro 26" și afișajul LED fără fir VisionPro SYNK 26" depășesc nivelul aplicabil de conformitate RF de mai sus, afișajul și transmițătorul trebuie supravegheate pentru a se verifica funcționarea normală a acestora. Dacă se observă o funcționare anormală, pot fi necesare măsuri suplimentare, cum ar fi reorientarea sau reamplasarea afișajului.

(b) În gama de frecvență cuprinsă între 150 kHz și 80 MHz, forțele câmpului trebuie să fie mai mici de 3 V/m.

| Specificații testate pentru imunitate la echipamentele de comunicații în RF fără fir | | | | | | |
|--|---------------|--|---|-------------------|--------------|-------------------------------|
| Frecvență de test (MHz) | Bandă (MHz) | Service | Modulație | Putere maximă (W) | Distanță (m) | Nivel test de imunitate (V/m) |
| 385 | 380 – 390 | TETRA 400 | Modulația impulsurilor 18 Hz | 1,8 | 0,3 | 27 |
| 450 | 430 – 470 | GMRS 460, FRS 460 | FM Deviație ± 5 kHz Sinusoidală 1 kHz | 2 | 0,3 | 28 |
| 710 | 704 – 787 | Bandă LTE 13, 17 | Modulația impulsurilor 217 Hz | 0,2 | 0,3 | 9 |
| 745 | | | | | | |
| 780 | | | | | | |
| 810 | 800 – 960 | GSM 800/900, TETRA 800, iDEN 820, CDMA 850, Bandă LTE 5 | Modulația impulsurilor 18 Hz | 2 | 0,3 | 28 |
| 870 | | | | | | |
| 930 | | | | | | |
| 1.720 | 1.700 – 1.990 | GSM 1800; CDMA 1900; GSM 1900; DECT; Bandă LTE 1, 3, 4, 25; UMTS | Modulația impulsurilor 217 Hz | 2 | 0,3 | 28 |
| 1.845 | | | | | | |
| 1.970 | | | | | | |
| 2.450 | 2.400 – 2.570 | Bluetooth, WLAN, 802.11 b/g/n, RFID 2450, Bandă LTE 7 | Modulația impulsurilor 217 Hz | 2 | 0,3 | 28 |
| 5.240 | 5.100 – 5.800 | WLAN 802.11 a/n | Modulația impulsurilor 217 Hz | 0,2 | 0,3 | 9 |
| 5.500 | | | | | | |
| 5.785 | | | | | | |
| Notă: echipamentele de comunicații în RF portabile nu trebuie utilizate la o distanță mai mică de 30 cm de afișajul LED VisionPro 26" și afișajul LED fără fir VisionPro SYNK 26". În caz contrar, performanța acestui echipament poate scădea. | | | | | | |
| Prin prezenta, Stryker declară că afișajul LED fără fir VisionPro SYNK 26" este conform cu cerințele esențiale și cu alte prevederi relevante ale Directivei 1999/5/CE. O copie a declarației de conformitate poate fi obținută de la Stryker Endoscopy, 5900 Optical Court, San Jose, CA, 95138, SUA. | | | | | | |

Simboluri și definiții

Simbolurile prezentate în continuare apar pe produs, pe etichetele acestuia sau pe ambalaj. Fiecare simbol are o semnificație specială, așa cum este definită mai jos:



Consultați instrucțiunile de utilizare



Atenție:
Consultați Instrucțiunile de utilizare



Număr de serie



Cantitate



Domeniul de temperatură



Domeniul de umiditate



Reprezentanța autorizată pentru Europa



Țara de origine



Număr de catalog



Curent continuu



Data de fabricație



Producător legal



Testat pentru conformitatea cu standardele FCC Clasa B și C



Transmisie fără fir



Legislația federală limitează vânzarea acestui dispozitiv de către un medic sau la recomandarea acestuia



Dispozitivul îndeplinește cerințele Uniunii Europene privind dispozitivele medicale



Cod pentru reciclarea dispozitivului (valabil în China)



Marcaj obligatoriu de certificare pentru China

IP23

Carcasa oferă protecție împotriva:

- accesului degetelor sau a altor obiecte similare la părțile periculoase
- apei pulverizate (la mai puțin de 60° din poziție verticală)



Respectă cerințele de reglementare din Australia



Echipamentul medical este în conformitate cu AAMI ES60601-1 și CSA C22.2 nr. 60601-1-08-CAN/CSA referitoare la electrocutări, pericole de incendiu și pericole de natură mecanică



Acest produs conține deșeuri de tip echipament electric sau electronic. Acesta nu trebuie eliminat în rețeaua municipală de colectare a deșeurilor nesortate și trebuie colectat separat.



Dispozitiv medical în Uniunea Europeană

İçindekiler

| | |
|---|---------------|
| Uyarılar ve Önlemler | TR-443 |
| Cihazınız Hakkında..... | TR-445 |
| Kullanım Amacı ve Kullanım Endikasyonları | TR-446 |
| Kontrendikasyonlar | TR-446 |
| Ambalaj İçeriği | TR-447 |
| Cihaz Özellikleri | TR-448 |
| Kurulum..... | TR-453 |
| Bağlantılar..... | TR-453 |
| Temel Video Kurulumu | TR-455 |
| Kullanım | TR-456 |
| Ekran Görüntüsü (OSD)..... | TR-456 |
| OSD Menüleri | TR-458 |
| Sorun Giderme..... | TR-461 |
| Temizleme ve Bakım | TR-462 |
| Teknik Özellikler | TR-464 |
| Elektromanyetik Uyumluluk..... | TR-466 |
| Semboller ve Açıklamalar | TR-470 |

Uyarılar ve Önlemler

Lütfen bu kılavuzu dikkatlice okuyun ve talimatları yerine getirin. Uyarı, dikkat ve not kelimeleri özel anlamlar taşır ve dikkatli bir şekilde incelenmelidir:

Uyarı: Kullanıcı ve hastayı potansiyel ciddi yaralanmalardan korumak için önlemleri belirtir.

Dikkat: Ekipman risklerini gösterir. Dikkat ibarelerinin izlenmemesi üründe hasar oluşmasına sebebiyet verebilir.

Not: Talimatları açıklamak veya ek faydalı bilgiler vermek için özel bilgiler sunar.

Uyarılar

Kullanıcı ve hastayı potansiyel ciddi yaralanmalardan korumak için, lütfen aşağıdaki uyarılara dikkat edin:

1. Bu cihazı kullanmadan önce bu kullanım kılavuzunun içeriğini iyice okuyup anlayın.
2. Federal yasa (Amerika Birleşik Devletleri) bu cihazın sadece bir hekim tarafından veya hekim siparişi ile satılabileceğini belirtir.
3. Cihazı ambalajından dikkatlice çıkartın ve taşıma sırasında herhangi bir hasar oluşup oluşmadığını kontrol edin.
4. Bu cihaz steril değildir ve bu nedenle steril bir alana yerleştirilmemelidir.
5. Güç kablosu üzerine cihazı veya başka ağır bir nesneyi yerleştirmeyin. Kablo hasarı yangın veya elektrik çarpması riskine neden olabilir.
6. Elektrik çarpması riskini önlemek için çerçeveyi çıkarmaktan kaçınınız.
7. Bu cihaz başka cihazlara bitişik veya üstlerinde kullanılmamalıdır. Bitişik veya üst üste kullanım gerekiyorsa, cihaz kullanılacağı yapılandırmada normal çalıştığını doğrulamak için gözlemlenmelidir.
8. Cerrahi bir prosedürden önce cihazı kontrol edin. Cihaz sevkiyattan önce fabrikada tamamen test edilmiştir.
9. Bu kullanım kılavuzunda açıklanmayan hiçbir iç onarım veya ayarı yapmaya çalışmayın. Yeniden ayarlamalar, değişiklikler ve/veya onarımların Stryker Endoscopy tarafından yetkilendirilmiş kişilerce gerçekleştirilmesini sağlayın.
10. Panel içine herhangi bir nesne koymayın. Bu durumda, cihazın fişini çekin ve tekrar çalıştırmadan önce kalifiye bir kişi tarafından kontrol edilmesini sağlayın.
11. Cihazın hasta ortamlarında bir güç kaynağı ile kullanılması halinde sıvılarla teması önlemek için uygun tedbirleri alın.
12. Bu cihazlarla belirtilenlerin dışında kabloların ve/veya aksesuarların kullanılması halinde, emisyonlarda artış veya cihazda arızalar meydana gelebilir.

Dikkat

1. Cihazı hastane sınıfı bir güç kablosuna bağlı bir AC adaptöre bağlayın ve topraklama güvenliği sağlamak için güç kablosunun topraklı bir prize takıldığından emin olun.
2. Cihazı sterilize etmeyin, zira hassas elektronik devreler bu işleme dayanamayabilir.
3. Ekran için sadece tescilli cerrahi ekran güç kaynağı kullanın. DC güç kablosu ve uzatma kablosu arasında tamamen güvenilir bir bağlantı sağlayın.
4. Cihazı soğuk bir yerden sıcak bir yere taşıdıktan hemen sonra çalıştırmayın.
5. Uluslararası güç kablosunu bağlamak için bu kılavuzda "Teknik Özellikler" bölümünde açıklanan prize uygun bir bağlantı fişi kullanın.

6. Cihaz uzun süre kullanılmayacaksa, fişini prizden çekin. Kabloyu çekmek için ilk önce fişi sökün, ardından fişten tutarak kabloyu çekin. Hiçbir zaman kablodan çekmeyin.
7. Cihazı neme maruz bırakmayın veya ekrana doğrudan sıvı temizleyiciler uygulamayın. Temizlik çözümünü yumuşak bir beze püskürtün ve nazikçe temizleyin. Daha fazla bilgi için bu kılavuzdaki "Temizleme ve Bakım" bölümüne bakınız.
8. Dahili ısı birikimini önlemek için yeterli hava sirkülasyonu sağlayın. Cihazı havalandırma deliklerini engelleyebilecek yüzeylere (halı, battaniye vb.) veya malzemelerin yanına (perde, örtü) koymayın. Cihaz doğal konveksiyonla soğutulur ve fanı yoktur.
9. Sinyal giriş ve çıkış konektörlerini hasta ile temas ettirmeyin. SIP/SOP konektörlere sahip ekipmanlar IEC 60601-1 ve/veya IEC 60601-1-1 uyumlaştırılmış ulusal standartlara uygun olmalı veya kombinasyon güvenlik açısından değerlendirilmelidir.
10. Elektromanyetik uyumluluk için bu kılavuzun "Elektromanyetik Uyumluluk" bölümüne bakınız. VisionPro 26" LED Ekran (0240-031-020) ve VisionPro SYNK 26" Wireless LED Ekran (0240-031-000), bu kılavuzda verilen EMC bilgilerine göre kurulmalı ve çalıştırılmalıdır.
11. Bu kılavuzdaki temizlik talimatlarına özellikle uyun. Aksi halde hasar meydana gelebilir.
12. Cihazı güneş ışınlarına, aşırı toza, mekanik titreşime veya darbeye maruz kalabileceği yerlere kurmayın.
13. Cihazı, güç kablosunun besleme şebekesinden sökülmesini zorlaştıracak şekilde konumlandırmayın.
14. Cihazı cam ekranı yukarı bakar haldeyken çalıştırmayın.
15. Cihazı dikkatli taşıyın. Ekranı çarpmayın veya çizmeyin.
16. Uyumluluktan sorumlu tarafça açık bir biçimde onaylanmamış değişiklikler veya modifikasyonlar kullanıcının cihazı kullanma yetkisini geçersiz kılabilir.
17. **Not: Bu cihaz test edilmiş ve FCC Kuralları, Bölüm 15 uyarınca Sınıf B dijital cihaz sınırlarına uygun bulunmuştur. Bu sınırlar konut tipi tesisatlarda zararlı parazitte karşı yeterli koruma sağlayacak şekilde tasarlanmıştır. Bu cihaz talimatlara uygun şekilde monte edilmezse ve kullanılmazsa radyo frekansı enerjisi üretir, kullanır ve yayabilir, radyo iletişimde zararlı parazite neden olabilir. Tesisatta parazit olmayacağı garanti edilmemektedir; parazit cihaz açılarak ve kapatılarak tespit edilebilir. Kullanıcıya aşağıdaki tedbirlerden birini veya daha fazlasını alarak parazitleri gidermesi önerilir:**
 - Alma cihazını yeniden yönlendirin veya yerini değiştirin.
 - Cihazla arasındaki mesafeyi artırın.
 - Cihazı diğer cihazların bağlı olduğu devreden farklı bir devredeki prize takın.
 - Yardım için üretici veya saha hizmetleri teknisyenine danışın.

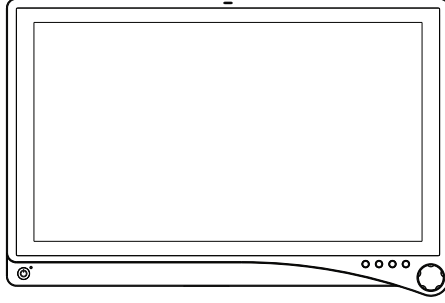
Bu uyarıların veya tedbirlerin herhangi birinin göz ardı edilmesi durumunda garanti geçersiz hale gelir.

Bu ürün elektriksel atık veya elektronik ekipman içerir. Ayrılmamış kentsel atık olarak atılmamalıdır ve ayrı olarak toplanmalıdır.

Cihazınız Hakkında

VisionPro 26" LED Ekran

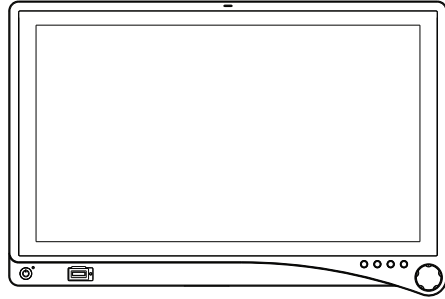
REF: 0240-031-020



VisionPro 26" LED Ekran maksimum WUXGA (1920x1200) çözünürlüğü destekleyebilen bir geniş ekran LCD cerrahi ekrandır. Ekran şu video girişlerini destekler: dijital RGB, analog RGB, seri dijital arabirim (SDI), komponent video (YPbPr/RGBS), S-video ve C-video/SOG. Ayrıca RS232 bağlantı noktası ile seri iletişimi de destekler.

VisionPro SYNK 26" Kablosuz LED Ekran

REF: 0240-031-000



VisionPro SYNK 26" Kablosuz LED Ekran, radyo frekansı bağlantısı üzerinden yüksek çözünürlüklü video sinyali almak için tasarlanmış isteğe bağlı bir SYNK Transmitteri (0240-031-010 veya 0240-031-011) ile kullanılabilir.

Ekran şu video girişlerini destekler: DVI, S-Video ve C-Video/SOG. Kablosuz işlevsellik etkinleştirildiğinde, ekran kablosuz dijital bir RGB video girişini destekler. Ayrıca, ekran bir USB bağlantı noktasını ve RS232 bağlantı noktası ile seri iletişimi de destekler.

Not: VisionPro SYNK 26" Kablosuz LED Ekranın kablosuz işlevselliği sadece SYNK Transmitter ile etkinleştirilebilir.

SYNK Kablosuz Transmitter ve VisionPro SYNK 26" Kablosuz LED Ekranın kablosuz işlevselliğinin kullanılmasıyla ilgili ayrıntılar ve talimatlar için, SYNK Kablosuz Sistem kılavuzuna (P21693) bakın.

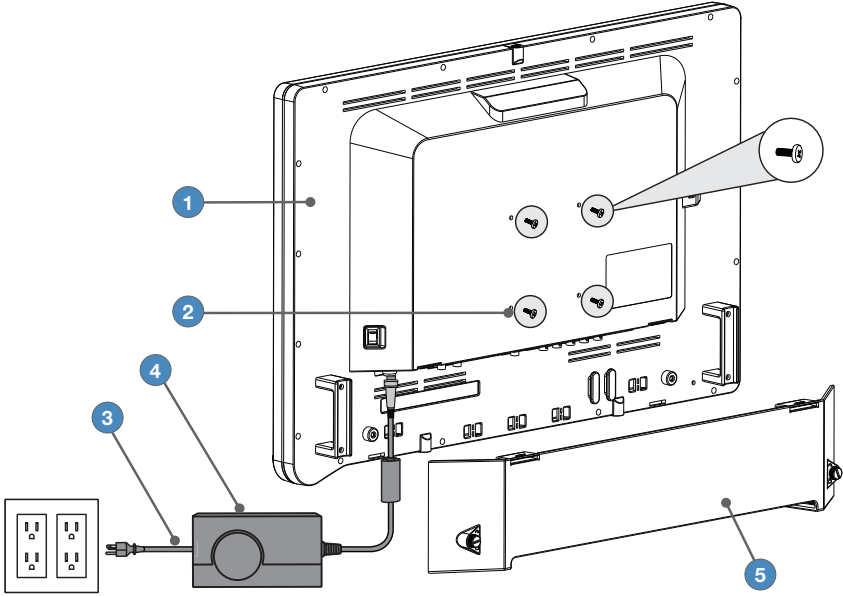
Kullanım Amacı ve Kullanım Endikasyonları

VisionPro SYNK 26" Kablosuz LED Ekran ve VisionPro 26" LED Ekran, artroskopi (ortopedik cerrahi), laparoskopi (genel ve jinekolojik cerrahi), torakoskopi ve endoskopi (genel, gastroenteroloji ve ENT cerrahisi) ile genel cerrahiye içeren cerrahi prosedürler sırasında video ekranı olarak kullanılmak amacıyla tasarlanmıştır. Ekran, steril alanlarda kullanım için tasarlanmamış, steril olmayan, tekrar kullanılabilir bir cihazdır. Ekran bu cerrahi prosedürler hakkında tam bilgi sahibi kalifiye hekimler tarafından kullanım için tasarlanmıştır.

Kontrendikasyonlar

Bu cihaz için bilinen bir kontrendikasyon yoktur.

Ambalaj İeriđi



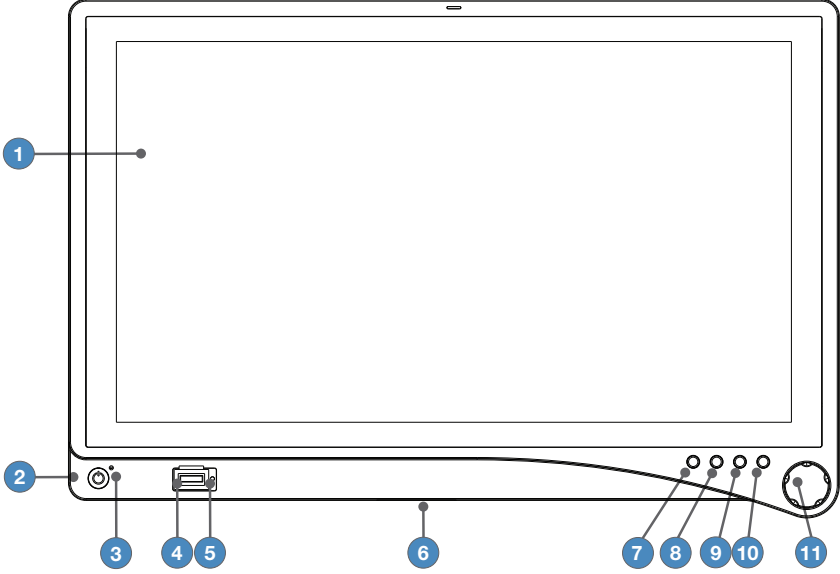
| Referans | Para Numarası | Ambalaj İeriđi |
|----------|------------------------------|---|
| 1 | 0240-031-020 0240-031-000 | VisionPro 26" LED Ekran veya VisionPro SYNK 26" Kablosuz LED Ekran |
| 2 | - | (4) M4 x 16 mm VESA vidalar |
| 3 | - | Hastane sınıfı AC g kablosu |
| 4 | 0240-031-004 | Tıbbi G Kaynađı |
| 5 | - | Kablo Kapađı |

| Para Numarası | İsteđe Bađlı Aksesuarlar |
|----------------|-----------------------------------|
| 0240-031-002 | VisionPro 26" Ekran Kapađı |
| 0240-031-004 | Tıbbi G Kaynađı |
| 0240-031-010 | SYNK Kablosuz Transmitter |
| 0240-030-951 | 4,5 m (5 pimli) DC uzatma kablosu |
| 0240-030-952 | 23 m (5 pimli) DC uzatma kablosu |

Cihaz Özellikleri

Ön panel

Ön panelde bulunan döner kontrolü kullanarak ekranı çalıştırın. Ekran kontrollerinin ve fonksiyonlarının bir listesi aşağıda sunulmuştur.



- | | |
|--|--|
| 1. Görüntü Ekranı | Video görüntüsü gösterir. |
| 2. Güç anahtarı (yumuşak) | Ekranı açar (ON) ve kapatır (OFF). |
| 3. Güç LED'i | Mevcut durumu gösterir: Yeşil - Ekran güce verilir veya ekran koruyucu modundadır Kırmızı renkte yanıp söner - Ekran uyku modundadır Kehribar renginde yanıp söner - Aşırı veya yetersiz gerilim altındadır |
| 4. Belirteç Yuvası (sadece VisionPro SYNK 26" Kablosuz LED Ekran) | Transmitter ile kablosuz bağlantı kurmak için kullanılan belirteç takma yeri. |
| 5. Belirteç LED'i (sadece VisionPro SYNK 26" Kablosuz LED Ekran) | Yeşil - Bağlantı kuruldu Kehribar Rengi - Başlatılıyor Kehribar Rengi Yanıp Sönüyor - Hata, servis temsilcinize başvurun |
| 6. Yedek Bağlantı | Yedek cihaz bağlantılarını destekler. |

7. Audio/PIP

VisionPro 26" LED Ekran:

Resim İinde Resim ayar menüsüne erişim sağlar.

VisionPro SYNK 26" Kablosuz LED Ekran:

Resim İinde Resim ayar menüsü için iki kez basın.

Not: Audio işlevi o anda etkinleştirilmez.

8. Parlak

Parlaklık ayar menüsüne erişim sağlar

9. Özellik

Özellik ayar menüsüne erişim sağlar

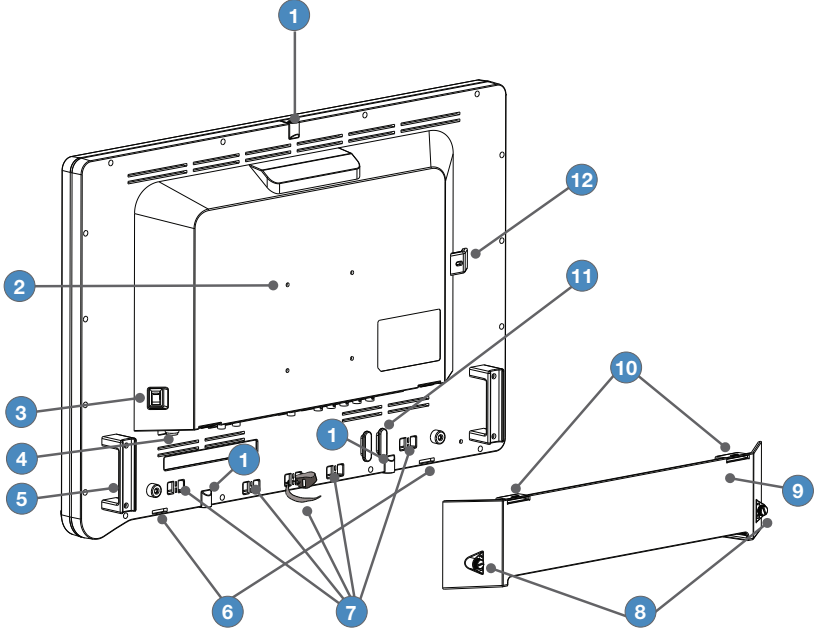
10. Giriş

Giriş Seçimi ayar menüsüne erişim sağlar

11. Döner kontrol

Ekran görüntüsüne erişim ve fonksiyonlarında gezinti sağlar.

Arka panel



1. Aksesuar montajları (3)

İsteğe bağlı montaj aksesuarları için bir erişim noktası sağlar.

2. VESA montaj delikleri

Ekranı monte etmek için erişim noktaları sağlar.

3. Güç anahtarı (sert)

Giriş DC gücünü açar (ON) ve kapatır (OFF).

4. Güç konektörü

24 V DC güç kaynağına bağlanır.

5. Tutamaçlar

Ekran konumlandırmaya yardımcı olur.

Dikkat: Tutamaçlar ekranın tüm ağırlığını taşımak için tasarlanmamıştır

6. Kablo kapağı menteşeleri

Kablo kapağının alt tarafını ekrana takın.

7. Cırt cırtlı bantlar

Bantlar kablo yönetimine yardımcı olur.

8. Kablo kapağı kelebek vidaları

Kablo kapağını ekrana takın ve parmaklarınızı kullanarak sıkıştırın veya gevşetin.

9. Kablo kapağı

Kabloları sarar ve gizler.

10. Kablo kapağı klipsleri

Kablo kapağının üst tarafını ekrana takın.

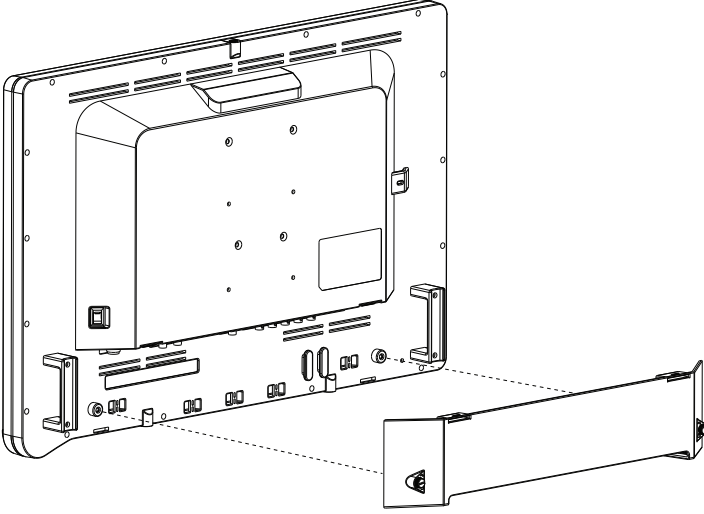
11. Kablo sargısı

Kabloları sarmak için yer sağlar.

12. Kilitleme özelliği

Güvenlik amaçlarına uygun olarak buraya bir kilitleme mekanizması veya kablo yönlendirilebilir.

Kablo Kapađı



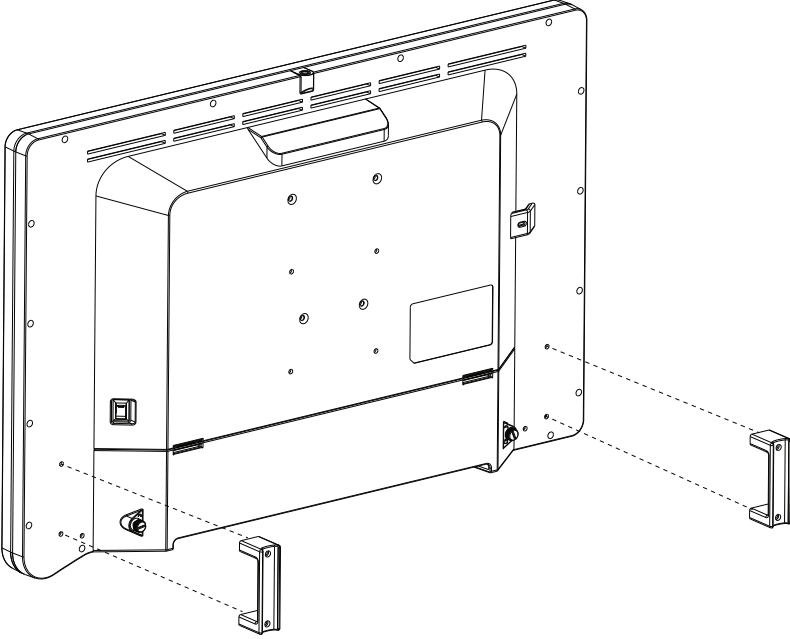
Kablo Kapađının Takılması

1. Kablo kapađının sol ve sađ menteşelerini ekranın alt tabanı üzerinde hizalayın.
2. Kablo kapađının üst bölümünü hizalama klipslerinin üzerine geçirin.
3. Parmaklarınızla, kablo kapađını ekrana sıkmak ve kilitlemek için kelebek vidaları saat yönünde çevirin.

Kablo Kapađının Çıkarılması

1. Parmaklarınızla, kelebek vidaları gevşetmek için saatin tersi yönünde çevirin.
2. Kelebek vidalar tamamen gevşetildikten sonra, sol ve sađ klipsleri tutun ve kablo kapađını kendinize doğru çekin.
3. Kablo kapađını sol ve sađ menteşelerden çıkarın.

Ekran Tutamaçları



Dikkat: Tutamaçlar, ekranın nakliyesi için değil, konumlandırılmasına yardımcı olmak için tasarlanmıştır. Tutamaçlar ekranın tüm ağırlığını taşıyamamalıdır.

Ekran Tutamaçlarının Çıkarılması

1. 3 mm'lik altıgen bir anahtar kullanarak, iki M4 x 30 mm vidayı gevşetin ve tutamacı çekerek ekrandan yavaşça çıkarın.

Ekran Tutamaçlarının Takılması

1. Tutamacı ekranın arkasındaki vida delikleriyle hizalayın.
2. Tutamacı bağlamak için 3 mm'lik altıgen bir anahtar kullanarak iki M4 x 30 mm vidayı takın.

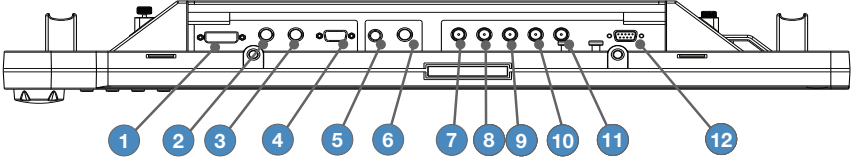
Kurulum

Stryker Endoscopy, öğretici veya hizmet içi eğitimleri bu cihazın ayrılmaz bir parçası olarak kabul etmektedir. Yerel Stryker Endoscopy satış temsilcisi cihazınızı kurmanıza yardımcı olmak ve size ve personelinize çalıştırma ve bakım hakkında talimatlar sunmak için siz uygun bir zamanda en az bir hizmet içi eğitim gerçekleştirecektir. Hizmet içi eğitim tarihini belirlemek için cihazınız ulaştıktan sonra yerel Stryker Endoscopy temsilcinizle iletişime geçin.

Bağlantılar

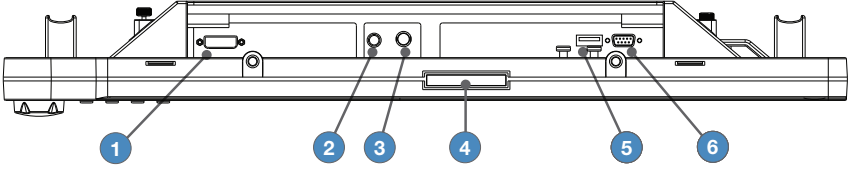
VisionPro 26" LED Ekran Bağlantı Girişleri

Video giriş ve çıkış sinyalleri aşağıda gösterildiği gibi ekranın arkasına bağlanır:



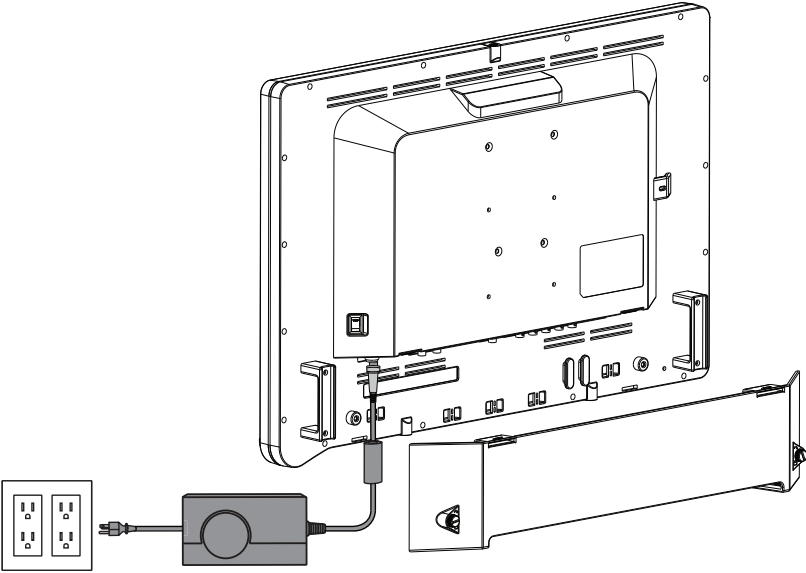
1. DVI
2. 3G/HD/SD SDI-giriş
3. 3G/HD/SD SDI-çıkış
4. VGA
5. S-Video
6. C-Video/SOG
7. R/Pr
8. G/Y
9. B/Pb
10. H-senk
11. V-senk
12. RS232

VisionPro SYNK 26" Kablosuz LED Ekran Bağlantı Girişleri



- | | |
|----------------|-------------------|
| 1. DVI | 4. Yedek Konektör |
| 2. S-Video | 5. USB |
| 3. C-Video/SOG | 6. RS232 |

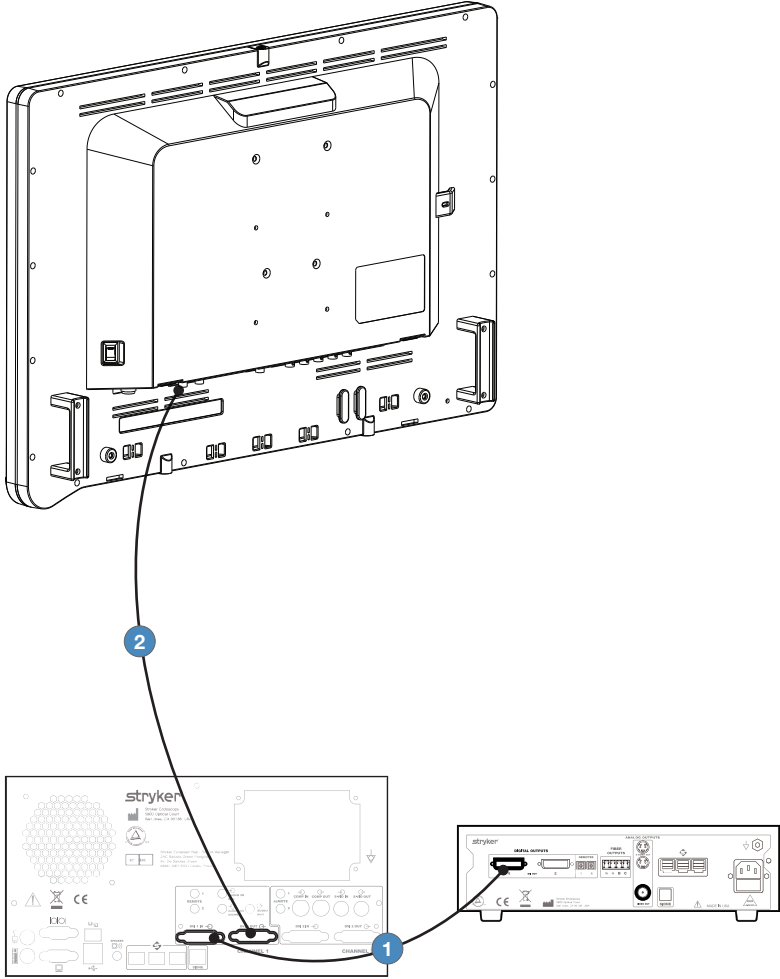
Güç Kaynağının Bağlanması



1. Güç kablosunu ekrandaki 24V girişe bağlayın.
2. AC güç kablosunu güç kaynağına* bağlayın.
3. AC gücü temin edilmiş olan hastane sınıfı güç kablosunu kullanarak bağlayın.
4. (İsteğe bağlı, gösterilmemiştir) Güç kaynağı ve ekran arasında bir uzatma kablosu bağlayın.
5. Kablo kapağını takın.

* Güç kaynağı bilgisi: Model Numarası: BPM150S24F11, Üretici: Bridgepower Corp.

Temel Video Kurulumu



1. 1 numaralı video çıkışı kameradan SDC DVI girişine yönlendirin.
2. 1 numaralı video çıkışı SDC DVI çıkışından ekrandaki DVI girişine yönlendirin.

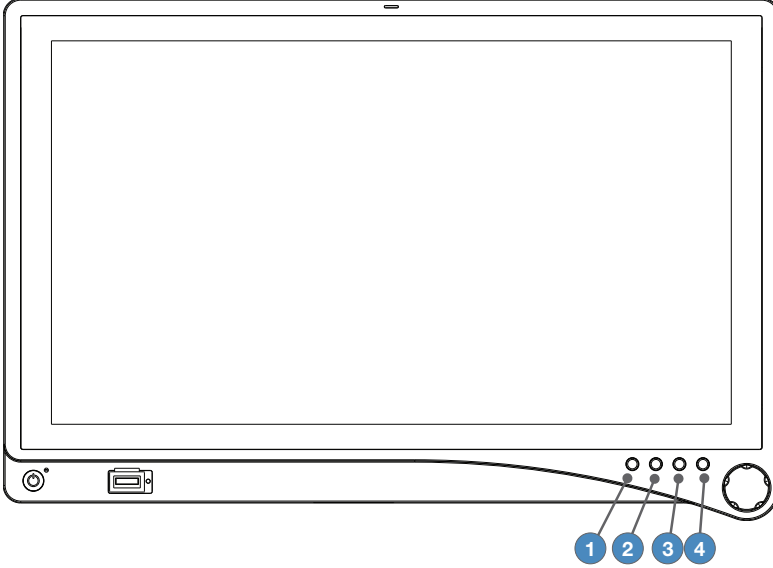
Not: Stryker kamera için yedek bir bağlantı önerir.

Kullanım

Ön panelde bulunan döner kontrolü ve dört düğmeyi kullanarak ekranı çalıştırın. Ekran kontrollerinin ve fonksiyonlarının bir listesi aşağıda sunulmuştur.

Ekran Görüntüsü (OSD)

Ekran Görüntüsüne Erişim



Dört ön panel düğmesini kullanmak için:

- Audio/PIP (VisionPro SYNK 26" Kablosuz LED Ekran):**
 - Resim Modunu etkinleştirmek için iki kez basın (Resim İçinde Resim, Yan Yana İki Resim, Resim Üzerinde Resim)
- PIP (VisionPro 26" LED Ekran):**
 - Resim Modunu etkinleştirmek için basın (Resim İçinde Resim, Yan Yana İki Resim, Resim Üzerinde Resim)
- Parlak:** Parlaklık ayar menüsünü etkinleştirir.
- Özel:** Özellik ayar menüsünü etkinleştirir.
- Giriş:** Giriş seçim menüsünü etkinleştirir.

Etkinleştirildiğinde ekran menülerinde ilerlemek için Döner Kontrolü kullanın:

- İtme** — Ekran görüntüsü menüsüne erişim/ekranda seçim sağlar.
- Sağa/Sola Çevirme** — Ekran görüntüsü etkinken, çevirme işlemi seçilen parametre değerini artırır/düşürür.
- İtme ve Tutma** — Ekran görüntüsünden çıkarılır.

Ekran Görüntüsünün Kullanımı

Cihaz OSD'si çeşitli cihaz menüleri arasında gezintiye yardımcı olur.

1. OSD menüsünü etkinleştirmek için **Döner Kontrole** basın.
2. Menüde yukarı veya aşağı gitmek için **Döner Kontrolü** çevirin. Parametre seçildiğinde vurgulanır.
3. Sonraki düzey OSD'sine girmek için **Döner Kontrole** basın.
4. Seçilen parametrenin değerini artırmak veya düşürmek veya farklı seçenekler arasından seçim yapmak için **Döner Kontrolü** çevirin.
5. OSD menüsünden ikinci veya üçüncü düzey OSD menüsünde iken çıkmak için Exit (Çıkış) seçeneğini belirleyin. OSD'den tamamen çıkmak için **Döner Kontrole** basın ve basılı tutun. Herhangi bir tuşa basılmazsa, OSD fabrikada ayarlı önceden belirlenmiş süre sonunda otomatik olarak menüden çıkacaktır (bu süre değiştirilebilir).

OSD Menüleri

Specialty (Özellik)

| Menü Öğesi | Açıklama | Aralık |
|--|--|---------------------|
| Color Temperature (Renk Sıcaklığı)* | Lap A (Laparoskopi A), Lap B (Laparoskopi B), Arthro A (Artroskopi A), Arthro B (Artroskopi B), Standard (Standart), PACS, NORM, ENT, GYN için renk sıcaklıkları arasında seçim yapar. | — |
| Red (Kırmızı) | Kırmızı dengeleme | -128-127 |
| Green (Yeşil) | Yeşil dengeleme | -128-127 |
| Blue (Mavi) | Mavi dengeleme | -128-127 |
| Gamma | Gamma değeri | 0,1-2,5, S0, S1, S2 |

* Renk Sıcaklığı RGB ayarı sadece Standart, Art ve Lap ayarları için geçerlidir. PACS ve Norm ayarları sadece SOG girişi altında yapılabilir.

Audio (Menü o anda aktif değildir)

Brightness Settings (Parlaklık Ayarları)

| Menü Öğesi | Açıklama | Aralık |
|---|---|--------|
| Brightness (Parlaklık) | Parlaklığı artırır veya düşürür | 0-100 |
| Contrast (Kontrast) | Kontrastı artırır veya düşürür | 0-100 |
| Phase (Faz)** | Faz seviyesini artırır veya düşürür | 0-100 |
| Chroma (Doygunluk)** | Doygunluk seviyesini artırır veya düşürür | 0-100 |
| Image Sharpness (Görüntü Keskinliği) | Görüntü keskinliğini ayarlar | 1-10 |
| Video Sharpness (Video Keskinliği)** | Video keskinliğini artırır veya düşürür | 0-100 |

** Sadece SDI-, S- veya C-video girişi altında yapılabilir.

Image Effect (Görüntü Efekt)

| Menü Öğesi | Açıklama |
|--|--|
| Scale Mode (Ölçek Modu) | Fill All (Tümünü Doldur), V-Fill (Düşey Doldur), H-Fill (Yatay Doldur), One-To-One (Tek Tek) veya Fill-Aspect (En Boy Oranına Göre Doldur) arasında ölçek seçimi |
| Freeze Frame (Görüntüyü Dondur) | Görüntü dondurmaya etkinleştirir veya devre dışı bırakır |

| Menü Ögesi | Açıklama |
|------------|--|
| PIP | Picture in picture (resim içinde resim) fonksiyonunu etkinleştirir |
| POP | Picture on picture (resim üzerinde resim) fonksiyonunu etkinleştirir |
| PBP | Picture by picture (resim - resim) fonksiyonunu etkinleştirir |

Advanced Settings (Gelişmiş Ayarlar)

| Menü Ögesi | Açıklama |
|---|--|
| Key Lock (Tuş Kilidi) | Tuş kilidi açık: Tüm tuş işlevlerini devre dışı bırakır. Tuş kilidini kapatmak için döner kola basılı tutun. |
| Auto Source Select (Otomatik Kaynak Seçimi) | Aktif bir video kaynağı tespit edilene kadar girişleri tarar. PIP/POP/PBP modu sırasında Otomatik Kaynak Seçimi devre dışı bırakılır. |
| Sleep Timer (Zaman Ayarlı Otomatik Kapanma) | On (Açık): Aktif video kaynağı tespit edilmezse ekran uyku moduna geçer. |
| | Off (Kapalı): Ekran uyku moduna girmez. |
| | Timer (Zamanlayıcı): Etkin bir video kaynağı tespit edilmediğinde ekranın uyku moduna gireceği süreyi belirler. |
| OSD Control (OSD Kontrolü) | OSD (Ekran Görüntüsü) Menü Konumu, Arka Plan ve Zaman Aşımını Kontrol Eder |
| Restore Factory Settings (Fabrika Ayarlarına Geri Dön) | Fabrika varsayılan ayarlarına geri döner |
| Screen Control (Ekran Kontrolü) | VGA <ul style="list-style-type: none"> • Yatay • Dikey • Aşama • Frekans |
| | S-Video, C-Video, SOG, RGBs, Bileşen <ul style="list-style-type: none"> • Yatay • Dikey |

SYNK (VisionPro SYNK 26" Kablosuz LED Ekran için)

| Durum | Açıklama |
|---|-------------|
| RX APP: XX.XX.XX RX MAC: XX.XX.XX.XX | Alıcı |
| TX APP: XX.XX.XX TX MAC: XX.XX.XX.XX | Transmitter |
| WiFi SW: XXX-X.XX SİNYAL= Mükemmel, İyi, Kötü Varsayılan Bölge: XXX FREQ (FREKANS): XXXX MHZ | Transmitter |

Information (Bilgi)

| Menü Ögesi | Açıklama |
|---|--|
| User Name Entry (Kullanıcı Adı Girişi) | Başlatma ekranı için özel kullanıcı adı giriş ekranı |
| Serial Number (Seri Numarası) | Cihazın seri numarasını gösterir |
| Runtime (Çalışma Zamanı) | Cihazın mevcut toplam çalışma zamanını görüntüler |
| Input Format (Giriş Formatı) | Geçerli giriş formatını görüntüler |

Not: Ekran görüntüsündeki gerçek değerler donanım yazılımı ve kullanıcı ayarlarına göre değişiklik gösterebilir.

Sorun Giderme

Ekranınızı servis için geri göndermeden önce aşağıdaki sorun giderme listesine bakın:

| Sorun | Geçerli Durum | Çözüm |
|--|---|--|
| Resim yok | Güç LED'i yanıyor | OSD Menüsünü kullanarak parlaklık ve kontrast değerlerini maksimuma ayarlayın veya varsayılan ayarlarına sıfırlayın. |
| | Güç LED'i kapalı | Ekranın önündeki ve arkasındaki güç anahtarının ON (Açık) olarak ayarlandığından emin olun. |
| | | AC güç kablosunun AC adaptörüne ve çıkışa doğru şekilde bağlanıp bağlanmadığını kontrol edin. |
| | Güç LED'i yanıp sönüyor | Güç kaynağının tam olarak bağlandığını ve düzgün biçimde çalıştığını kontrol edin. |
| Anormal resim | Büyük, küçük video, video yok veya merkez kaymış. | Kırmızı Ekran uyku modundadır. Ekranı uyandırmak için herhangi bir tuşa basın. |
| | | Kehribar Rengi Güç kaynağı aşırı veya yetersiz gerilim altında olabilir. |
| OSD hata mesajı | "Out of Range" (Aralık Dışında) | Ekran Kontrol Menüsünü kullanarak ekran görüntüsünü düzeltmek için Faz, Frekans, Yatay ve Düşey ayarları yapın. |
| | | Ölçek Modundaki ayarları yapar |
| | | Sadece VGA girişi içindir: video beslemesini yeniden senkronize etmek için 1–2 saniye süreyle döner kontrole basılı tutun. |
| | | Video sinyallerinin ilk senkronizasyonundan sonra veya ekran güç döngüsünden sonra birkaç saniye bekleyin. |
| Belirteç LED'i kehribar renginde yanıp sönüyor | Hata | Servis temsilcinize başvurun. |

Temizleme ve Bakım



Uyarı

Elektrik çarpması ve ölümcül bir yaralanma olasılığını engellemek için, temizlemeden önce ekranın ve güç kaynağının fişini elektrik prizinden çekin.

Dikkat

- Üründe hasar meydana gelebileceği için ekran ve güç kaynağı üzerine doğrudan temizlik sıvısı püskürtmeyin. Üniteyi silmeden önce bez üzerine püskürtün.
- Üründe hasar meydana gelebileceği için ekran ve güç kaynağını herhangi bir sıvıya daldırmayın.
- Üründe hasar meydana gelebileceği için ekran ve güç kaynağını temizlemek için aşındırıcı temizlik solüsyonları kullanmayın.
- Üründe hasar meydana gelebileceği için ekran ve güç kaynağını sterilize etmeyin.

Temizleme

Ekran ve güç kaynağını temizlemek için:

1. Ekran kapağı yerindeyse temizlemeden önce kapağı çıkarın.
2. **VisionPro SYNK 26" Kablosuz LED Ekran için:** Temizlemeden önce ekranı belirteç yuvası üzerine yerleştirdiğinizden emim olun.
3. Steril bir bezi kurutmak için standart dezenfektan veya hafif deterjan uygulayın.
4. Ekran ve güç kaynağını silin.
5. Görüntü ekranını temizlerken çok dikkatli olun. Ekran veya güç kaynağı yuvasının en altına giren ya da damlayan fazla sıvı ürün hasarına neden olabilir.

Denetim

Kullanmadan önce ürünü mutlaka denetleyin. Aşağıdaki durumlardan herhangi biri görülüyorsa bu belgedeki Sorun Giderme bölümüne bakın. Ürün performansı tatmin edici olmayan bir düzeyde kalıyorsa kullanmaya devam etmeyin ve Stryker temsilcinizle iletişime geçin.

- Resim olmaması, anormal resim veya kabul edilemez resim kalitesi
- Açılmaması
- Düşme ve/veya topuz işlevinin uygun olmaması veya yanıt vermemesi
- Kabul edilemez ekran netliği, hasarlı kaplama, korozyon, anormal gürültü, kablo aşınmaları, açığa çıkmış teller ve/veya monte etmek için sağlam arabirim elde etmeyi önleyen herhangi bir hasar dahil olmak üzere, ekranda veya aksesuarlarda önemli fiziksel hasar
- Güç LED'i kehribar renginde yanıp sönüyor

Beklenen Kullanım Ömrü

Cihazın ve cihaz aksesuarlarının kullanım ömrü büyük oranda aşınma, temizleme yöntemleri ve kullanımdan doğan diğer hasarlara göre belirlenir. Cihazın servis aralıklarını uzatmak için bu kullanım kılavuzundaki ve cihaz aksesuarlarının kullanım kılavuzundaki bakım ve kullanım talimatlarına mutlaka uyun.

Atma



Düzeltilme yapıldığı şekilde, Atık Elektrikli ve Elektronik Ekipmanlara (WEEE) yönelik 2012/19/EU sayılı Avrupa Direktifi uyarınca ürün ve aksesuarları geri dönüşme kazandırılmak üzere ayrı olarak toplanmalıdır. Tasnif edilmemiş belediye atığı olarak atmayın. Atma işlemiyle ilgili bilgiler için yerel distribütörünüzle iletişime geçin. Geri dönüştürülmeden önce enfekte ekipmanın bu Kullanım Talimatlarının Temizleme bölümüne ve cihaz aksesuarlarının Kullanım Talimatlarına göre temizlendiğinden emin olun.

Sistem aksesuarlarını kirlenme potansiyeli olan maddelerle ilgili normal şirket uygulamalarına göre atın.

Advers Olay Raporlama

Bu cihazla ilişkili olarak meydana gelen ciddi olaylar, Stryker firmasına ve Avrupa Birliği'nde etkilenen kişinin ikamet ettiği üye devletteki yetkili mercie rapor edilmelidir.

Teknik Özellikler

Ekran

| | |
|---|--|
| LCD Ekran Paneli | 26" (661 mm) Çapraz (a-Si TFT etkin matris LCD) |
| Senkronizasyon | 2,5–5,0 Vpp ayrılmış senk |
| Piksel Aralığı | 0,300 (H) x 0,300 (V) mm |
| Yanıt Süresi | < 18 ms Tipik |
| Görüntüleme Açısı | Sağ/Sol/Yukarı/Aşağı 89 Derece |
| Görüntü Renkleri | 1 milyar renk (10 bit) |
| Gerçek Çözünürlük | 1920 (Y) nokta x 1080 (D) çizgi |
| VisionPro 26" LED Ekran Sinyalleri | DVI, VGA, 3G/HD/SD-SDI (In/Out), C-Video/SOG, S-Video, Bileşen/RGBs (Y/G, Pb/B, Pr/R, HS, VS), RS232 |
| VisionPro SYNK 26" Kablosuz LED Ekran Sinyalleri | Kablosuz dijital RGB, DVI, S-Video, C-Video/SOG, RS232 ve USB |
| Maksimum Piksel Saati | 165 MHz |

Elektrik

| | |
|--------------------------------|--|
| Güç Adaptörü | Giriş: 100–240 VAC; 50–60 Hz; 2,5 A (2,5A - 1,5A) Çıkış: 24 V DC; 6,25A (150W Maks) Model Numarası: BPM150S24F11 |
| Güç Tüketimi (yaklaşık) | 35–65 Watt |

Akım/Gerilim Oranı

Lütfen ilgili güç kablosunun yürürlükte olan yerel düzenlemeler ve standartlara uygun olduğundan emin olun.

| | |
|-----------------------------------|---|
| 110V +/- 10V güç çıkışları | UL Listeli ve C.S.A Onaylı, tip SJT veya SVT, 3 – iletkenli, 18AWG, 110V +/- 10V, 15A nominal değerli kalıplanmış hastane sınıfı fiş içinde sonlandırılmış, minimum 1,8 m uzunluğunda bir güç besleme kablosu seçin. |
| 220V +/- 20V güç çıkışları | Uluslararası uyumlu ve "<HAR>" işaretli, 3 – iletkenli, 0,75 mm ² minimum telli, 220V +/- 20V, 10A nominal değerli, PVC yalıtımlı ceketli bir güç besleme kablosu seçin. Kablo 220V +/-20V, 10A nominal değerli bir fiş içinde kalıplı olmalıdır. Kablo ve fiş kapağı tıbbi kullanım için uygun olmalıdır. |

Boyutlar

| | |
|------------------------------|-----------------------|
| Boyutlar (G x Y x D) | 660,4 x 442 x 86,4 mm |
| Ağırlık (yaklaşık) | 8,3 kg |
| VESA Montaj Arabirimi | VESA 100 x 100 mm |

Çalıştırma Koşulları

| | |
|-------------------|----------|
| Sıcaklık Aralığı | 10–40 °C |
| Bağıl Nem Aralığı | %25–%75 |

Taşıma ve Saklama Şartları

| | |
|-------------------|-----------|
| Sıcaklık Aralığı | -18–60 °C |
| Bağıl Nem Aralığı | %15–%90 |

Sınıflandırma ve Onaylar

Sınıf I Ekipman

Elektrik çarpma, yangın ve mekanik tehlike açısından sadece UL 60601-1 ve CAN/CSA C22.2 No. 601.1'ye uygun tıbbi cihaz.

IP23: Parmakların ve benzer nesnelerin tehlikeli parçalara erişmesine karşı koruma, püskürtme suyunun girişine karşı koruma (dikey konumdan 60° daha az)
Sürekli Çalışma

Uyumluluk

FCC Düzenlemeleri

VisionPro 26" LED Ekran:

FCC Bölüm 15 Sınıf B

FCC Tanımlayıcısı: QVXAMM261WTDS

VisionPro SYNK 26" Kablosuz LED Ekran:

FCC Bölüm 15 Sınıf B

FCC Tanımlayıcısı: QVXAMM261WTDSW

FCC Bölüm 15 Sınıf C

FCC Tanımlayıcısı: SSH-SYNKRX (Alıcı Kart)

FCC Tanımlayıcısı: SSH-SDMAN (Aksesuar Kart)

IC Düzenlemeleri

VisionPro SYNK 26" Kablosuz LED Ekran:

IC: 4919C-SYNKRX (Alıcı Kart)

IC: 4919C-SDMAN (Aksesuar Kart)

Not: Lütfen değişiklikler ve yeni ürünler hakkında bilgi almak için yerel Stryker Endoscopy satış temsilcisi ile iletişime geçin.

Elektromanyetik Uyumluluk

Bütün elektrikli tıbbi ekipmanlar gibi, VisionPro 26" LED Ekran ve VisionPro SYNK 26" Kablosuz LED Ekran da diğer elektrikli tıbbi cihazlarla elektromanyetik uyumluluğu sağlamak için özel tedbirler gerektirir. Elektromanyetik uyumluluğu (EMC) sağlamak için, ekran bu kılavuzda verilen EMC bilgilerine göre kurulmalı ve çalıştırılmalıdır. Ekran, diğer cihazlarla EMC için IEC 60601-1-2 gerekliliklerine göre tasarlanmış ve test edilmiştir.

Not: Bu ekipman profesyonel sağlık ortamında kullanılmak içindir. EM bozulmuşluğunun yüksek olduğu, manyetik rezonans görüntüleme için kullanılan bir tıbbi elektrikli sistemin RF korumalı odasında kullanılmak için değildir.

Not: Bu ekipmanın aktif HF ameliyat aletine çok yakın olan Özel Ortamda HF ameliyat aletlerinden kaynaklanan girişimlere karşı hassas olması olası değildir. HF ameliyat aletlerinden kaynaklanan girişimin gözlemlendiği durumda, ekipmanın ayarlarını mesafesini ayarlayın.



Uyarı

Cihaz başka bir ekipmanla birlikte bağlandığında, kaçak akımlar eklenebilir. Hasta başına toplam kaçak akım miktarını en aza indirmek için, tüm sistemlerin IEC 60601-1-1 gerekliliklerine uygun şekilde monte edildiğinden emin olun.

Dikkat

Taşınabilir ve mobil RF iletişim ekipmanları ekranın normal işleyişini etkileyebilir.

Ekran ile verilenler haricindeki kabloları ve aksesuarları kullanmayın, aksini yapmak artan elektromanyetik emisyonlara veya bu tür emisyonlara karşı azalan bağışıklığa neden olabilir.

Ekran başka ekipmanlarla yakın veya istifi şekilde kullanılırsa, ekran cerrahi bir prosedürde kullanılmadan önce kullanılacak konfigürasyonda normal çalışmasını inceleyin ve doğrulayın. Ekran yerleştirilmesine yol göstermesi için aşağıdaki tabloları inceleyin.

Kılavuz ve Üreticinin Beyanı: Elektromanyetik Emisyonlar

VisionPro 26" LED Ekran ve VisionPro SYNK 26" Kablosuz LED Ekran aşağıda belirtilen elektromanyetik ortamda kullanılmak için tasarlanmıştır. Ekran alıcısı veya kullanıcısı, sistemin böylesi bir ortamda kullanılmasını sağlamalıdır.

| Emisyon testi | Uyumluluk | Elektromanyetik Ortam - kılavuz |
|--|-----------|--|
| RF emisyonları CISPR 11 | Grup 1 | Ekranlar, RF enerjisi sadece iç işleyiş için kullanılır; bu nedenle, RF emisyonları çok düşüktür ve yakındaki elektronik ekipmanlarla herhangi bir etkileşime neden olmaz. |
| RF emisyonları CISPR 11 | Sınıf B | Ekranlar, aşağıdaki uyarılara riayet edilmesi halinde yerel kuruluşlar ve yerel amaçlar için kullanılan yapılar sunan düşük voltajlı kamusal güç tedarik ağına doğrudan bağlı olanlar hariç tüm kuruluşlarda kullanıma uygundur. |
| Harmonik emisyonlar IEC 61000-3-2 | Sınıf D | |
| Voltaj Dalgaları/kırışma emisyonları IEC 61000-3-3 | Uyumlu | Uyarı: Bu sistem sadece sağlık bakım uzmanları tarafından kullanılmak üzere tasarlanmıştır. Bu sistem radyo parazitlerine neden olabilir veya yakındaki ekipmanların çalışmasını bozabilir. Sistemin yeniden yönlendirilmesi veya yeniden konumlandırılması veya konumun örtülmesi gibi hafifletme tedbirlerinin alınması gerekebilir. |

Kılavuz ve Üreticinin Açıklaması — Elektromanyetik Bağışıklık

VisionPro 26" LED Ekran ve VisionPro SYNK 26" Kablosuz LED Ekran aşağıda belirtilen elektromanyetik ortamda kullanılmak için tasarlanmıştır. Ekran alıcısı veya kullanıcısı, sistemin böylece bir ortamda kullanılmasını sağlamalıdır.


| Bağışıklık Testi | IEC 60601 Test Seviyesi | Uyumluluk Seviyesi | Elektromanyetik Ortam — Kılavuz |
|--|--|--|--|
| Elektrostatik Boşalma (ESD) IEC 61000-4-2 | ±8 kV temas ±15 kV hava | ±8 kV temas ±15 kV hava | Zemin ahşap, beton veya seramik karo olmalıdır. Zemin sentetik malzeme ile kaplanırsa, bağıl nem en az %30 olmalıdır. |
| Hızlı elektrik geçişi/ patlama IEC 61000-4-4 | Güç kaynağı hatları için ±2 kV Giriş/çıkış hatları için ±1 kV (mümkünse) | ±2 kV hat - toprak ±1 kV hat - hat (mümkünse) | Şebeke elektriği kalitesi tipik ticari veya hastane ortamı kalitesinde olmalıdır. |
| Dalgalanma IEC 61000-4-5 | ±1 kV diferansiyel mod ±2 kV ortak mod | ±1 kV diferansiyel mod ±2 kV ortak mod | Şebeke elektriği kalitesi tipik ticari veya hastane ortamı kalitesinde olmalıdır. |
| Güç kaynağı giriş hatlarında voltaj düşüşleri, kısa kesintiler ve voltaj değişimleri IEC 61000-4-11 | %0 U_T 0,5 döngü %0 U_T 1 döngü %70 U_T 25 döngü %0 U_T 5 sn. | %0 U_T 0,5 döngü %0 U_T 1 döngü %70 U_T 25 döngü %0 U_T 5 sn. | Şebeke elektriği kalitesi tipik ticari veya hastane ortamı kalitesinde olmalıdır. Transmitter kullanıcı ana şebeke kesintilerinde kesintisiz çalışma gereksinimi duyuyorsa, Kablosuz Transmittere kesintisiz bir güç kaynağı veya pil ile güç sağlanması önerilir. |
| Güç frekansı (50/60 Hz) manyetik alanı IEC 61000-4-8 | 30 A/m | 30 A/m | Güç frekansı manyetik alanları tipik bir ticari ortam veya hastane ortamının seviyesinde olmalıdır. |

Not: U_T test seviyesi uygulamasından önceki AC şebeke voltajıdır.

Kılavuz ve Üreticinin Beyanı: Elektromanyetik Bağışıklık

VisionPro 26" LED Ekran ve VisionPro SYNK 26" Kablosuz LED Ekran aşağıda belirtilen elektromanyetik ortamda kullanılmak için tasarlanmıştır.

Ekran alıcısı veya kullanıcısı, sistemin böylece bir ortamda kullanılmasını sağlamalıdır.

| Bağışıklık Testi | IEC 60601 Test Seviyesi | Uyumluluk Seviyesi | Elektromanyetik Ortam — Kılavuz |
|---|--|--------------------|--|
| İletilen RF IEC 61000-4-6 Yayılan RF IEC 61000-4-3 | 3 Vrms 150 kHz ila 80 MHz 10 V/m 80 MHz ila 2,7 GHz | 3 V 10 V/m | <p>Taşınabilir ve mobil RF haberleşme ekipmanı ekranların, kabloları dahil olmak üzere, herhangi bir parçasına, transmitterin frekansı için geçerli olan denkleme göre hesaplanan, önerilen ayırma mesafesinden daha yakında kullanılmamalıdır.</p> <p>Önerilen Ayırma Mesafesi: $d = 2\sqrt{P}$ 80 MHz ila 2,7 GHz</p> <p>burada P, transmitter üreticisine göre transmitterin watt (W) cinsinden maksimum çıkış gücü ve d, metre (m) cinsinden önerilen ayırma mesafesidir.</p> <p>Sabit RF transmitterlerinden alan kuvveti, bir elektromanyetik alan araştırması ile belirlendiği gibi (a), her bir frekans aralığındaki uyumluluk seviyesinden az olmalıdır (b).</p> <p>Aşağıdaki sembolle işaretlenmiş ekipmanların yakınında parazit oluşabilir:</p>  |

(a) Radyo (hücresel/kablosuz) telefonlar ve kara mobil radyolar, amatör radyo, AM ve FM radyo yayını ve TV yayını için baz istasyonları gibi sabit transmitterlerin alan kuvveti teorik olarak tam netlikle tahmin edilemez. Sabit RF vericilerinin neden olduğu elektromanyetik ortamı değerlendirmek için bir elektromanyetik alan araştırması düşünülmelidir. VisionPro 26" LED Ekran ve VisionPro SYNK 26" Kablosuz LED Ekranın kullanıldığı konumda ölçülen alan kuvveti yukarıda verilen kabul edilebilir RF uyum seviyesini geçerse, ekran ve transmitter sistemi normal çalışmasının doğrulanması amacıyla incelenmelidir. Eğer anormal performanslar gözlemlenirse, ekranın doğrultusunun veya yerinin değiştirilmesi gibi ek önlemler gerekli olabilir.

(b) 150 kHz ila 80 MHz frekans aralığının üzerinde, alan kuvveti 3 V/m'den az olmalıdır.

| Kablosuz RF iletişim ekipmanına karşı bağışıklık için test edilen spesifikasyonlar | | | | | | |
|--|------------|--|-----------------------------------|------------------|------------|--------------------------------|
| Test frekansı (MHz) | Bant (MHz) | Servis | Modülasyon | Maksimum güç (W) | Mesafe (m) | Bağışıklık test seviyesi (V/m) |
| 385 | 380-390 | TETRA 400 | Atım modülasyon 18 Hz | 1,8 | 0,3 | 27 |
| 450 | 430-470 | GMRS 460, FRS 460 | FM ±5 kHz sapma 1 kHz sinüs | 2 | 0,3 | 28 |
| 710 | 704-787 | LTE Bant 13, 17 | Atım modülasyon 217 Hz | 0,2 | 0,3 | 9 |
| 745 | | | | | | |
| 780 | | | | | | |
| 810 | 800-960 | GSM 800/900, TETRA 800, iDEN 820, CDMA 850, LTE Bant 5 | Atım modülasyon 18 Hz | 2 | 0,3 | 28 |
| 870 | | | | | | |
| 930 | | | | | | |
| 1720 | 1700-1990 | GSM 1800; CDMA 1900; GSM 1900; DECT; LTE Bant 1, 3, 4, 25; UMTS | Atım modülasyon 217 Hz | 2 | 0,3 | 28 |
| 1845 | | | | | | |
| 1970 | | | | | | |
| 2450 | 2400-2570 | Bluetooth, WLAN, 802.11 b/g/n, RFID 2450, LTE Bant 7 | Atım modülasyon 217 Hz | 2 | 0,3 | 28 |
| 5240 | 5100-5800 | WLAN 802.11 a/n | Atım modülasyon 217 Hz | 0,2 | 0,3 | 9 |
| 5500 | | | | | | |
| 5785 | | | | | | |
| Not: Taşınabilir RF İletişim ekipmanı, VisionPro 26" LED Ekranı ve VisionPro SYNK 26" Kablosuz LED Ekranı 30 cm'den daha yakın kullanılmamalıdır. Aksi durumda bu ekipmanın performansında bozulma meydana gelebilir. | | | | | | |
| İşbu belge ile, Stryker VisionPro SYNK 26" Kablosuz LED Ekranın 1999/5/EC Direktifinin temel gerekliliklerine ve ilgili diğer hükümlerine uygun olduğunu beyan eder. Uygunluk beyanının bir kopyası Stryker Endoscopy, 5900 Optical Court, San Jose, CA, 95138, ABD'den temin edilebilir | | | | | | |

Semboller ve Açıklamalar

Aşağıdaki semboller ürün, etiketler veya ürün ambalajında gösterilir. Her sembol aşağıda tanımlanan şekilde özel bir tanıma sahiptir:



Kullanım Talimatlarına Başvurun



Dikkat:

Kullanım Talimatlarına Bakınız



Seri Numarası



Adet



Sıcaklık aralığı



Nem aralığı



Yetkili Avrupa temsilcisi



Menşei Ülke



Katalog numarası



Doğru Akım



Üretim Tarihi



Yasal üretici



FCC Sınıf B ve C standartlarına göre test edilmiştir



Kablosuz İletim



Federal yasa bu cihazın sadece bir hekim tarafından veya hekim siparişi ile satılabileceğini belirtmektedir



Cihaz, Avrupa Birliği tıbbi cihaz gerekliliklerini karşılamaktadır



Cihaz geri dönüşüm kodu (Çin'de geçerlidir)



Çin Zorunlu Belgelendirmesi İşareti

IP23

Ek belge şunlara karşı koruma sağlar:

- Parmakların ve benzer nesnelere
- Püskürtme suyunun (dikey konumdan 60° daha az) tehlikeli parçalara erişimi



Avustralya yasal gerekliliklerine uygundur



Tıbbi Cihaz, elektrik çarpması, yangın ve mekanik tehlike açısından AAMI ES60601-1 ve CSA C22.2 No. 60601-1-08-CAN/CSA'ya uygundur



Bu ürün elektrikli atık veya elektronik ekipmanlar içerir. Tasnif edilmemiş belediye atığı olarak bertaraf edilmemelidir ve ayrıca toplanmalıdır.



Avrupa Birliği'nde Tıbbi Cihaz

目录

| | |
|------------------|--------|
| 警告和注意事项 | ZH-473 |
| 关于本设备 | ZH-475 |
| 设计用途和适应症 | ZH-476 |
| 禁忌症 | ZH-476 |
| 套件包内容 | ZH-477 |
| 设备功能 | ZH-478 |
| 安装 | ZH-483 |
| 连接 | ZH-483 |
| 基本视频设置 | ZH-485 |
| 操作 | ZH-486 |
| 屏幕显示 (OSD) | ZH-486 |
| OSD 菜单 | ZH-488 |
| 故障排除 | ZH-490 |
| 清洁和维护 | ZH-491 |
| 技术规格 | ZH-493 |
| 电磁兼容性 | ZH-495 |
| 符号和定义 | ZH-498 |

警告和注意事项

请认真阅读本手册并遵照其说明。警告、注意和注释内容含有特殊含义，必须认真阅读：

警告：表示为避免对用户和患者造成潜在的严重伤害而要采取的措施。

注意：表示对设备具有危险。不遵照注意可能会损坏产品。

注释：提供特殊信息以解释指导说明或提供附加的有用信息。

警告

为避免对用户和患者的潜在严重伤害，请注意以下警告：

1. 在使用本设备之前，仔细阅读本手册，并熟知其内容。
2. 美国联邦法律规定，本装置只能由医生销售或根据医嘱销售。
3. 小心地拆开设备包装，检查运输期间是否发生损坏。
4. 本设备不是无菌的，不应该放在无菌区域。
5. 切勿将设备或任何其它重物放在电源线上。电缆损坏可能会引起火灾或导致电击。
6. 为避免遭受电击，请勿拆下边框。
7. 本设备不能在其他设备附近使用，也不能和其他设备堆叠。如果需要在其他设备附近或者堆叠使用，则应观察设备在需要使用的配置中是否工作正常。
8. 在进行外科手术之前，应测试本设备。本设备在发货前已在工厂经过了全面测试。
9. 除本手册中特别详细说明的内部修理或调节之外，切勿尝试对本设备进行任何其它内部修理或调节。若需重新调整、改动和/或修理，必须由 Stryker Endoscopy 授权人员执行。
10. 切勿将任何物体放入面板中。如果出现这种情况，请拨下设备的插头，并在进一步操作之前让具有资质的人员进行检查。
11. 如果在患者环境中本设备需接通电源使用，请特别注意避免接触液体。
12. 如果将非指定的线缆和/或其他附件用于本设备，可能导致本设备的辐射增加或者抗扰度降低。

注意

1. 将设备连接到连接医用级电源线的交流适配器，确保电源线插入到接地的电源插座，以实现接地可靠性。
2. 切勿对设备进行灭菌，因为易损的电子元件无法耐受该过程。
3. 对显示器仅使用专用的外科显示器电源。使直流电源线和延长线之间的连接确实可靠。
4. 从寒冷场所运输到温暖场所后，切勿立即操作本设备。
5. 要连接到国际标准电源，请使用适用于电源插座的连接插头，按照本手册的“技术规格”部分所述。
6. 如果将在一段较长时间内不使用本设备，请拔下其电源线。若要断开电源线，首先旋下插头，然后握住插头将其拔出。切勿尝试以拖拉电缆方式断开连接。
7. 请勿将设备暴露在潮湿环境中，或将液体清洁剂直接涂抹在屏幕上。应将清洁剂溶液喷洒到软布块上，然后轻轻地擦拭清洁。要了解更多信息，请参阅本手册“清洁和维护”部分。
8. 应允许充足的空气流通以避免机内聚积热量。请勿将本设备放置于诸如地毯、毛毯等物品表面上，或诸如窗帘、织物等可能阻挡通风孔的物体附近。本设备借助自然对流进行冷却，不带风扇。

9. 请勿使患者接触到信号输入或输出连接器。带有 SIP/SOP 连接器的设备应符合 IEC60601-1 和/或 IEC 60601-1-1 国家协调标准，否则应对设备组合进行安全评估。
10. 为了确保电磁兼容性，请参阅本手册的“电磁兼容性”部分。必须按照本手册中提供的电磁兼容性信息安装和操作 VisionPro 26"LED 显示器 (0240-031-020) 和 VisionPro SYNK26" 无线 LED 显示器 (0240-031-000)。
11. 请特别注意本手册中的清洁说明。任何违规操作都可能导致损坏设备。
12. 请勿在受阳光直射、空气中灰尘过多、存在机械振动或冲击的位置附近安装本设备。
13. 请勿将设备放在难以从电源上断开电源线的位置。
14. 切勿在玻璃设备屏幕朝下时进行操作。
15. 小心处理本设备。切勿撞击或划伤屏幕。
16. 未经负责依从规则要求的一方明确同意而对本设备进行更改或改造可能会导致使用者操作本设备的权力失效。
17. **注释：本设备已经过测试，并发现符合《美国联邦通信委员会规则》(FCC Rules)之第 15 部分的 B 级数字装置限值要求。这些限值设计用于为住宅安装提供合理保护，防止有害干扰。本设备产生、利用且可能辐射射频能量，如果未依照说明安装与使用，可能会对无线通信造成有害干扰。我们不能保证在任何特定安装中都不会发生干扰，通过打开和关闭设备可以确定是否发生干扰。我们鼓励用户通过以下一个或多个措施来设法克服干扰：**
 - 改变受干扰设备的方向或位置。
 - 增大设备间的间距。
 - 将本设备连接到不属于其它设备所连接的同一电路上的电源插座中。
 - 咨询制造商或现场维护技术员以寻求帮助。

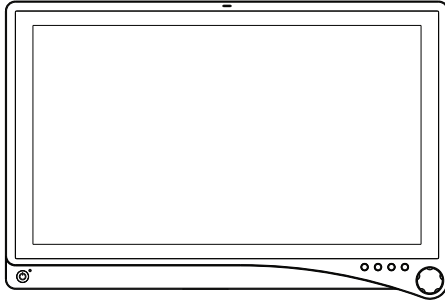
如果忽视了这些警告或注意信息中的任何一项，都会导致产品保修失效。

本产品包含电气废弃物或电子设备。禁止按未分类的城市垃圾进行处置，必须单独收集。

关于本设备

VisionPro 26" LED 显示器

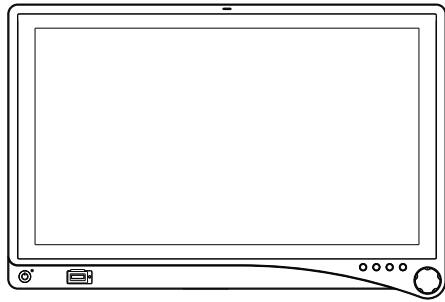
REF:0240-031-020



VisionPro 26" LED 显示器是一款宽屏 LED 外科显示器，支持最高 WUXGA (1920x1200) 的分辨率。显示器支持以下视频输入：数字 RGB、模拟 RGB、串行数字接口 (SDI)、分量视频 (YPbPr/RGBS)、S 端子以及 C 端子/SOG。它还支持通过 RS232 进行串行通信。

VisionPro SYNK 26" 无线 LED 显示器

REF:0240-031-000



VisionPro SYNK 26"无线 LED 显示器可以和可选的 SYNK 发射器 (0240-031-010 或 0240-031-011) 搭配使用，使其能够通过射频链接接收高清视频信号。

显示器支持以下视频输入：DVI、S 端子和 C 端子/SOG。启用无线功能后，显示器支持无线数字 RGB 视频输入。显示器还支持 USB 端口，并且支持通过 RS232 端口进行串行通信。

注释：VisionPro SYNK 26" 无线 LED 显示器的无线功能只能通过 SYNK 发射器启用。

要了解关于使用 SYNK 无线发射器和 VisionPro SYNK 26" 无线 LED 显示器的详细信息和说明，请参考 SYNK 无线系统手册 (P21693)。

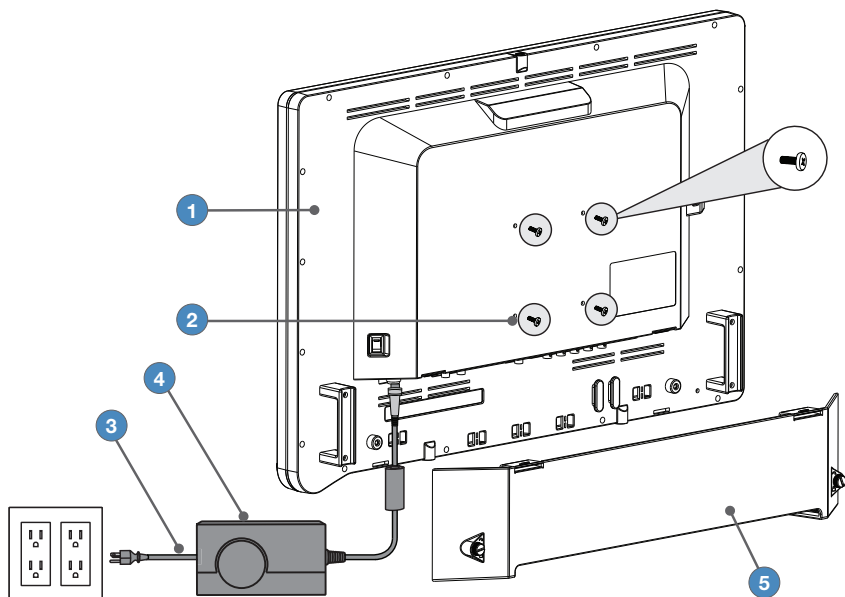
设计用途和适应症

VisionPro SYNK 26" 无线 LED 显示器和 VisionPro 26" LED 显示器设计用于在外科手术程序（包括关节镜（整形手术）、腹腔镜（普通和妇产科手术）、胸腔镜、内窥镜（普通、肠胃和 ENT 手术）、以及普通手术）中进行视频显示。显示器为非无菌、可重复使用设备，不适合在无菌场所使用。显示器设计供完全熟知这些手术的合格医师使用。

禁忌症

本设备没有已知的禁忌症。

套件包内容



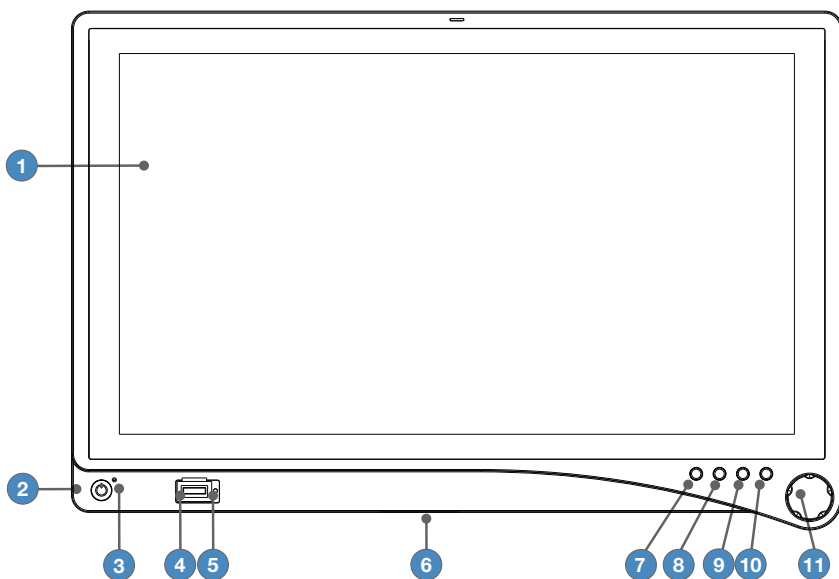
| 参考号 | 部件编号 | 套件包内容 |
|-----|------------------------------|---|
| 1 | 0240-031-020 0240-031-000 | VisionPro 26" LED 显示器或 VisionPro SYNK 26" 无线 LED 显示器 |
| 2 | - | (4) M4 × 16mm VESA 螺钉 |
| 3 | - | 医用级交流电源线 |
| 4 | 0240-031-004 | 医用电源 |
| 5 | - | 电缆盖 |

| 部件编号 | 可选附件 |
|--------------|--------------------|
| 0240-031-002 | VisionPro 26" 显示器罩 |
| 0240-031-004 | 医用电源 |
| 0240-031-010 | SYNK 无线发射器 |
| 0240-030-951 | 4.5m (5 针) DC 延长线 |
| 0240-030-952 | 23m (5 针) DC 延长线 |

设备功能

前面板

使用位于前面板的旋转控制钮操作本显示器。以下列出显示器控制钮列表及其功能。



- | | |
|---|--|
| 1. 显示器屏幕 | 显示视频图像。 |
| 2. 电源开关(软) | 打开和关闭显示器电源。 |
| 3. 电源 LED 指示灯 | 指示当前状态： 绿色 - 显示器已开启或者处于屏幕保护模式 闪烁红色 - 显示器处于睡眠模式 闪烁黄色 - 电压过低或过高 |
| 4. 令牌槽 (仅限 VisionPro SYNK 26" 无线 LED 显示器) | 令牌插入部位，用于与发射器建立无线连接。 |
| 5. 令牌 LED (仅限 VisionPro SYNK 26" 无线 LED 显示器) | 绿色 - 已建立链接 黄色 - 正在初始化 闪烁黄色 - 错误，请联系服务代表 |
| 6. 辅助连接 | 支持辅助设备连接。 |

7. 音频/PIP

VisionPro 26" LED 显示器:

打开画中画调整菜单。

VisionPro SYNK 26" 无线 LED 显示器:

连按两下打开画中画调整菜单。

注释: 目前没有启用音频功能。

8. 亮度

打开亮度调整菜单

9. 科别

打开手术科别调整菜单

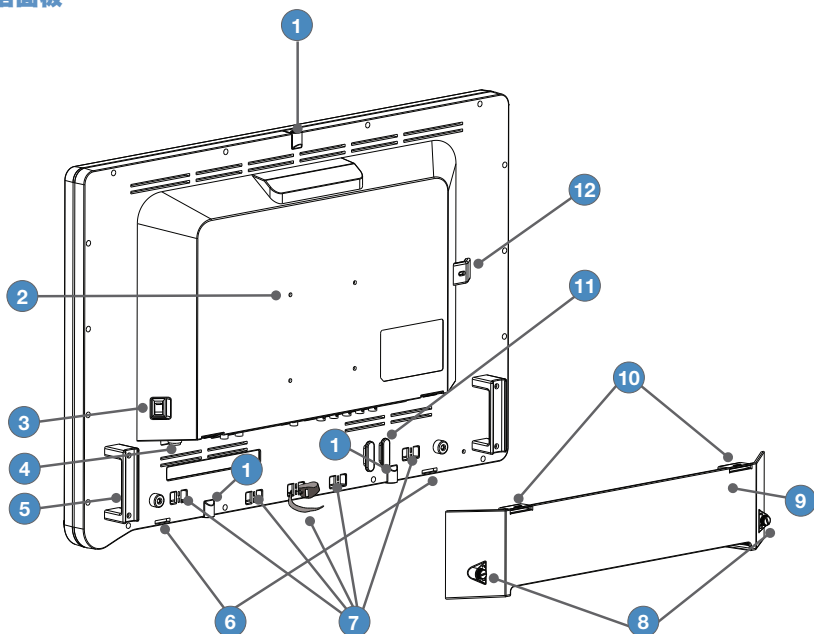
10. 输入

打开输入选择菜单

11. 旋转控制钮

打开屏幕显示, 并浏览其各个功能。

后面板



1. 附件安装座 (3)

2. VESA 安装孔

3. 电源开关 (硬)

4. 电源接口

5. 手柄

6. 电缆盖铰链

7. 尼龙搭扣带

8. 电缆盖指旋螺钉

9. 电缆盖

10. 电缆盖夹

11. 电缆缠绕

12. 锁定功能

提供一个接入点，用于安装可选附件。

提供接入点，用于安装显示器。

打开或关闭直流输入电源。

连接到 24V 直流电源。

协助显示器放置。

注意：手柄不能承受显示器的全部重量。

将电缆盖底部连接到显示器。

协助进行电缆管理的搭扣带。

将电缆盖连接到显示器，可以用手指拧紧或拧松。

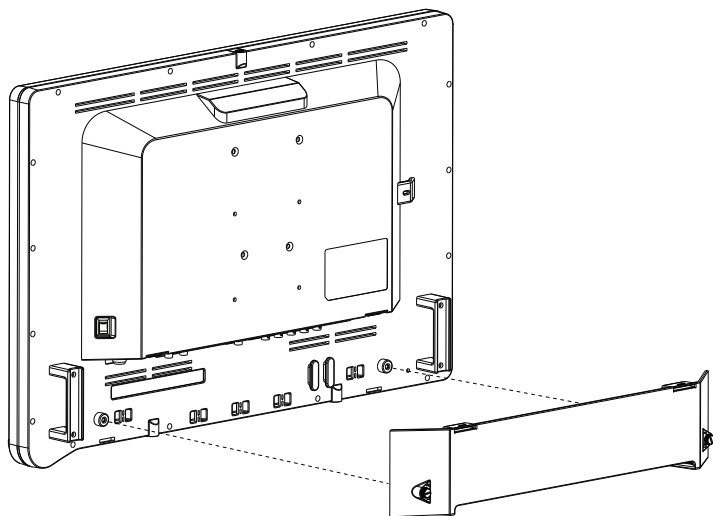
覆盖和遮掩电缆。

将电缆盖顶部连接到显示器。

提供一个缠绕电缆的位置。

一个锁定机制，或者可以将电缆穿过此机制，以便固定。

电缆盖



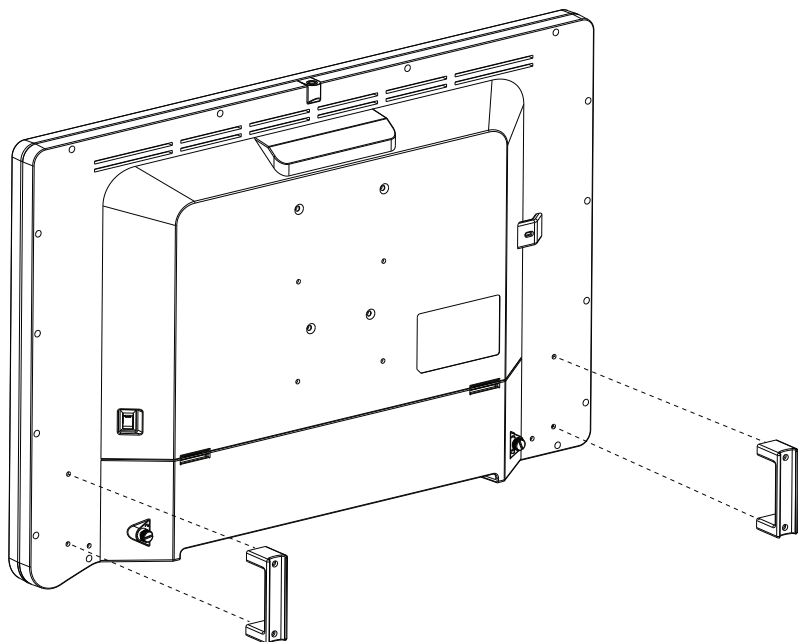
安装电缆盖

1. 将电缆盖的左、右铰链和显示器背面的底部对齐。
2. 将电缆盖顶部扣到对齐夹上。
3. 用手指顺时针旋转指旋螺钉，将电缆盖紧固和锁定到显示器。

拆卸电缆盖

1. 用手指逆时针旋转指旋螺钉以松开螺钉。
2. 完全松开指旋螺钉后，挤压左、右电缆盖夹，然后将电缆盖拉向您。
3. 将电缆盖从左、右铰链拆开。

显示器手柄



注意：手柄用于协助放置显示器，不能用于运输显示器。手柄不能承受显示器的全部重量。

拆卸显示器手柄

1. 使用 3mm 内六角扳手拧松两个 M4 x 30mm 螺钉，然后轻轻地把手柄从显示器拉开。

安装显示器手柄

1. 将手柄对准显示器背面的螺钉孔。
2. 使用 3mm 内六角扳手安装两个 M4 x 30mm 螺钉，连接手柄。

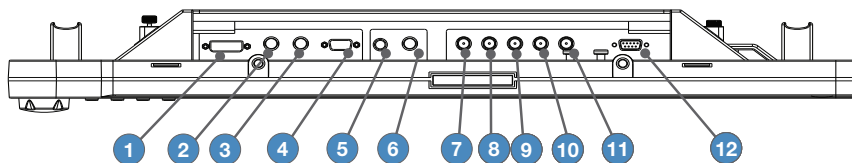
安装

Stryker Endoscopy 公司将指导培训或现场培训作为本设备的组成部分。您当地的 Stryker Endoscopy 销售代表将在您方便时至少进行一次现场培训，以帮助您安装好本设备，并指导您及您的员工如何操作和维护本设备。在设备到达后，请与您当地的 Stryker Endoscopy 代表联系，以便安排一次现场培训。

连接

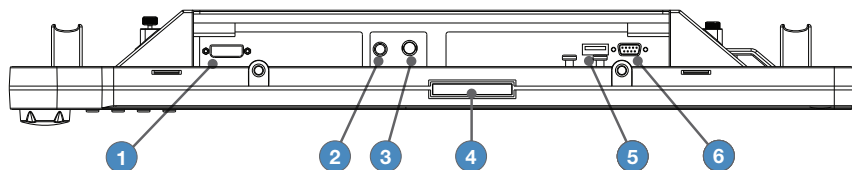
VisionPro 26" LED 显示器连接端口

视频输入和输出信号连接到显示器背面，如下所示：



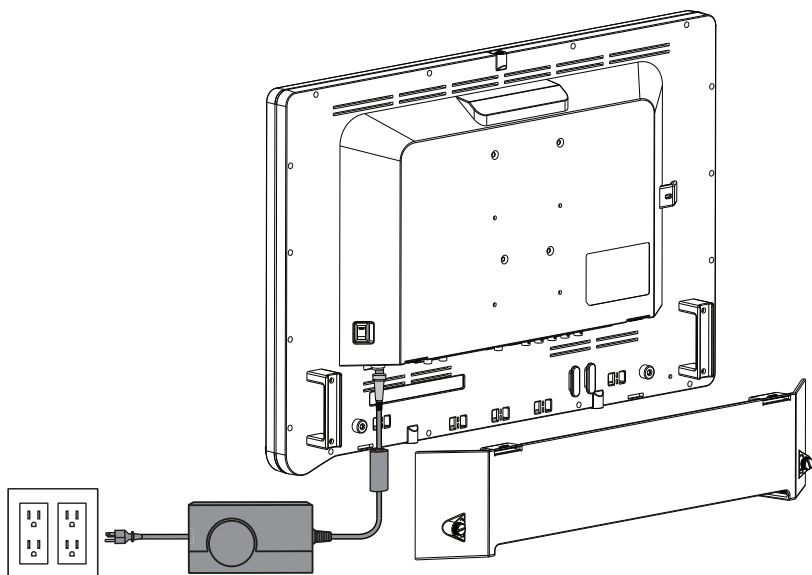
- | | |
|-----------------------|------------|
| 1. DVI | 7. R/Pr |
| 2. 3G/HD/SD SDI 输入 | 8. G/Y |
| 3. 3G/HD/SD SDI 输出 | 9. B/Pb |
| 4. VGA | 10. H-sync |
| 5. S 端子 | 11. V-sync |
| 6. C 端子/SOG | 12. RS232 |

VisionPro SYNK 26" 无线 LED 显示器连接端口



- | | |
|-------------|----------|
| 1. DVI | 4. 辅助连接器 |
| 2. S 端子 | 5. USB |
| 3. C 端子/SOG | 6. RS232 |

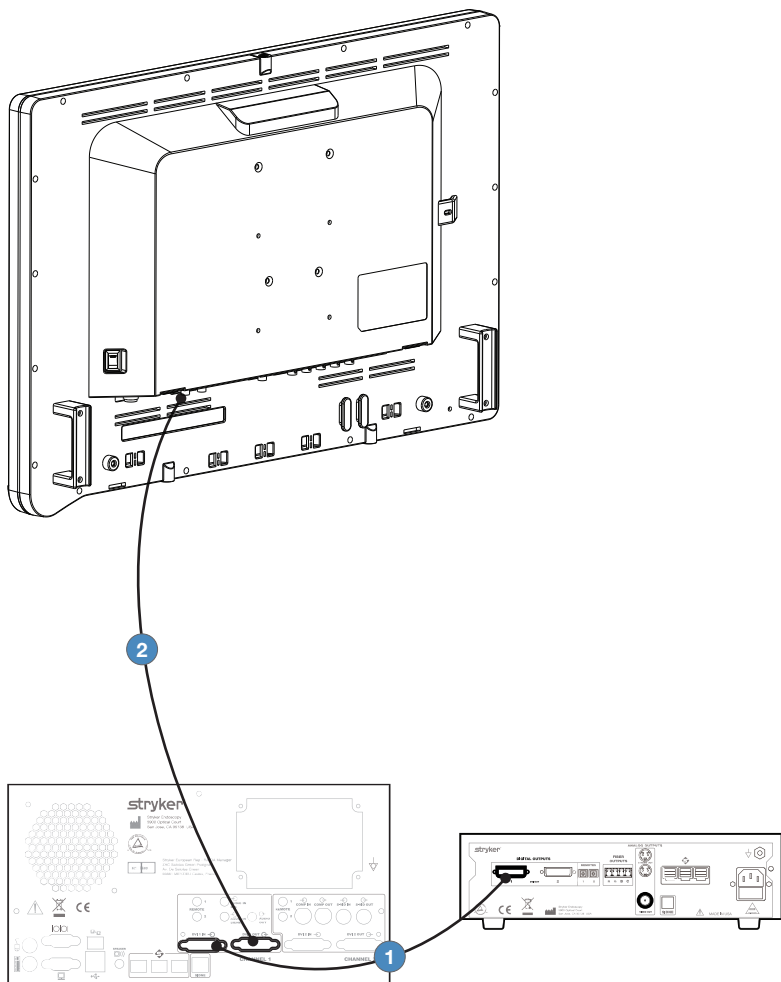
连接电源



1. 将电源连接到显示器的 24V 输入端口。
2. 将交流电线连接到电源*。
3. 使用随附的医用级电源线，连接交流电。
4. (可选，未显示) 使用延长线连接电源和显示器。
5. 安装电缆盖。

* 电源信息：型号：BPM150S24F11，制造商：Bridgepower Corp.

基本视频设置



1. 将视频输出 1 从摄像机连接到 SDC DVI 输入端。
2. 将视频输出 1 从 SDC DVI 输出端连接到显示器的 DVI 输入端。

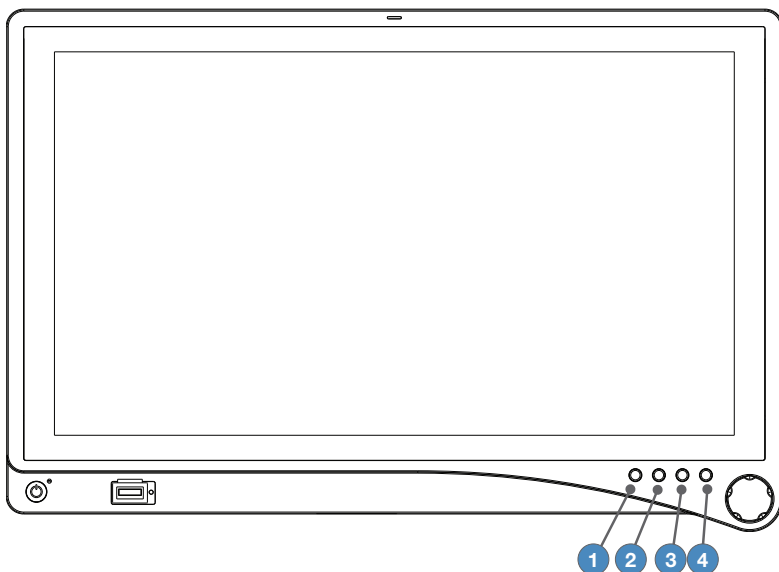
注释： Stryker 建议对摄像机使用备份连接。

操作

使用位于前面板的旋转控制钮和四个按钮操作本显示器。以下列出显示器控制钮列表及其功能。

屏幕显示 (OSD)

打开屏幕显示



要使用四个前面板按钮：

1. **音频/PIP (VisionPro SYNK 26" 无线 LED 显示器)：**
 - 连接两下激活画面模式（画中画、画边画、画上画）
2. **PIP (VisionPro 26" LED 显示器)：**
 - 按下激活画面模式（画中画、画边画、画上画）
3. **亮度：**激活亮度调整菜单。
4. **科别：**激活手术科别调整菜单。
5. **输入：**激活输入选择菜单。

菜单激活后，使用旋转控制钮浏览屏幕菜单：

- **按下** — 打开/选择屏幕显示菜单。
- **向右/左旋转** — 在屏幕显示菜单激活的情况下，增加/减少所选参数的值。
- **按住** — 退出屏幕显示菜单。

操作屏幕显示

设备 OSD 可以帮助浏览各个设备菜单。

1. 按下**旋转控制钮**即可激活 OSD 菜单。
2. 转动**旋转控制钮**可在菜单中上、下移动。
选中的参数突出显示。
3. 按下**旋转控制钮**可进入下一级 OSD。
4. 转动**旋转控制钮**可增大或减小所选参数的值，或在不同选项间进行选择。
5. 要从第二级或第三级 OSD 菜单退出 OSD 菜单，请选择 Exit（退出）选项。要完全退出 OSD，请按住**旋转控制钮**。如果未按下任何按键，OSD 将在出厂设置的预定义时间后自动退出（该时间可以自定义）。

OSD 菜单

Specialty (科别)

| 菜单项 | 说明 | 范围 |
|------------------------------------|--|--------------------------|
| Color Temperature (色温) * | 选择 Lap A、Lap B、Arthro A、Arthro B、Standard、PACS、NORM、ENT、GYN 的色温。 | — |
| Red (红色) | 红平衡 | -128 – 127 |
| Green (绿色) | 绿平衡 | -128 – 127 |
| Blue (蓝色) | 蓝平衡 | -128 – 127 |
| Gamma (伽玛) | 伽玛值 | 0.1 – 2.5, S0, S1, S2 |

* 色温 RGB 调节仅用于 Standard (标准)、Arth 和 Lap 设置。PACS 和 Norm 调整仅在 SOG 输入下可用。

音频 (目前没有菜单)

Brightness Settings (亮度设置)

| 菜单项 | 说明 | 范围 |
|--------------------------------------|------------|---------|
| Brightness (亮度) | 增大或减小亮度 | 0 – 100 |
| Contrast (对比度) | 增大或减小对比度 | 0 – 100 |
| Phase (相位) ** | 增大或减小相位级别 | 0 – 100 |
| Chroma (色度) ** | 增大或减小色度级别 | 0 – 100 |
| Image Sharpness (图像清晰度) | 设置图像清晰度 | 1 – 10 |
| Video Sharpness (视频清晰度) ** | 增大或减小视频清晰度 | 0 – 100 |

** 仅在 SDI、S-、或 C-video 输入下可用。

Image Effect (图像效果)

| 菜单项 | 说明 |
|-----------------------------|-----------------------------------|
| Scale Mode (缩放模式) | 选择缩放模式：全屏、垂直充满、水平充满、一比一或者按长宽比例填充。 |
| Freeze Frame (定格) | 启用或禁用定格功能 |
| PIP | 启用 picture in picture (画中画) 功能 |
| POP | 启用 picture on picture (画上画) 功能 |
| PBP | 启用 picture by picture (画边画) 功能 |

Advanced Settings (高级设置)

| 菜单项 | 说明 | |
|---|---|---|
| Key lock (按键锁定) | 按键锁定开启: 禁用全部按键功能 按住旋转控制钮可以关闭按键锁定功能。 | |
| Auto Source Select (自动源选择) | 扫描输入源, 直至侦测到活动的视频源。 自动源选择在 PIP/POP/PBP 模式中被禁用。 | |
| Sleep Timer (睡眠计时器) | On (开启): 如果没有侦测到活动的视频源, 则显示器进入睡眠模式。 | |
| | Off (关闭): 显示器不会进入睡眠模式。 | |
| | Timer (计时器): 设置在侦测到活动视频源之前, 显示器进入睡眠模式之前的时间。 | |
| OSD Control (OSD控制) | 控制 OSD (屏幕显示) 菜单的位置、背景和超时 | |
| Restore Factory Settings (恢复工厂设置) | 设置为工厂默认设置 | |
| Screen Control (屏幕控制) | VGA | <ul style="list-style-type: none">• 水平• 垂直• 相位• 频率 |
| | S 端子、C 端子、 SOG、RGB、分量 | <ul style="list-style-type: none">• 水平• 垂直 |

SYNK (用于 VisionPro SYNK 26" 无线 LED 显示器)

| 状态 | 描述 |
|--|-----|
| 接收器应用程序: XX.XX.XX 接收器 MAC 地址: XX.XX.XX.XX | 接收器 |
| 发射器应用程序: XX.XX.XX 发射器 MAC 地址: XX.XX.XX.XX | 发射器 |
| WiFi 软件: XXX-X.XX 信号 = 优异、良好、差 默认区域: XXX 频率: XXXX MHz | 发射器 |

Information (信息)

| 菜单项 | 说明 |
|-----------------------------------|-------------------|
| User Name Entry (用户名输入) | 输入将在启动屏幕上显示的定制用户名 |
| Serial Number (序列号) | 显示设备序列号 |
| Runtime (运行时间) | 显示当前设备总运行时间 |
| Input Format (输入格式) | 显示当前的输入格式 |

注释: 实际屏幕显示值可能因固件的升级版本和用户设置的不同而不同。

故障排除

在将您的显示器返回维修之前，请先参考以下故障排除清单：

| 问题 | 当前状态 | 解决办法 |
|---------------------|--------------------------|---|
| 无图像 | 电源 LED 亮起 | 使用 OSD 菜单将亮度和对比度调至最大，或将它们恢复为默认设置。 |
| | 电源 LED 熄灭 | 确保显示器前面和背面的电源开关设置为 ON（打开）。 |
| | | 检查交流电源线是否正确连接到交流适配器和电源插座。 检查确定电源完全连接，并且功能正常。 |
| | 电源 LED 闪烁 | 红色 显示器处于睡眠模式。按任意键唤醒显示器。 |
| 黄色 电源可能电压过高或过低。 | | |
| 图像显示不正常 | 大于或小于正常显示尺寸、缺少视频、或偏离中心。 | 使用屏幕控制菜单，调节相位、频率、水平和垂直设置，以纠正显示器图像。 |
| | | 在缩放模式下调整设置 |
| | | 仅针对 VGA 输入：按住选择控制钮 1 – 2 秒，重新同步视频源。 |
| | | 在视频信号最初同步后等待数秒，或关闭显示器电源，然后再打开电源。 |
| OSD 错误消息 | “Out of Range” (超出范围) | 确保连接了可接受的视频源。 |
| 令牌 LED 闪烁黄色 | 错误 | 请联系服务代表。 |

清洁和维护

警告

为避免电击和潜在的致命伤害，清洁前应从电源插座拔下显示器电源插头并断开电源。

注意

- 切勿将清洁剂直接喷洒在显示器或电源上，否则可能导致产品损坏。擦拭设备前，将清洁剂喷洒至布块上。
- 切勿将显示器或电源浸入任何液体中，否则将导致损坏产品。
- 切勿使用腐蚀性清洁剂溶液清洁显示器或电源，否则可能导致产品损坏。
- 切勿对显示器或电源进行灭菌，否则可能会导致损坏产品。

清洁

要清洁显示器或电源：

1. 如果已盖上显示器罩，进行清洁前先把显示器罩拿开。
2. **针对 VisionPro SYNK 26" 无线 LED 显示器：**清洁之前，确保将外盖放在令牌槽上。
3. 用标准消毒剂或温和清洁剂弄湿干燥的无菌布。
4. 擦拭显示器或电源。
5. 清洁显示器屏幕时，请格外小心。过多液体或液滴进入屏幕底部或者电源插座可能导致产品损坏。

检查

使用之前务必检查产品。如果下述情况明显，请参阅本文的故障排除一节。如果产品性能仍然不能令人满意，请停止使用并联系您的 Stryker 代表。

- 无图像、图像异常或图像质量无法接受
- 无法启动电源
- 按钮和/或旋钮功能不适当或无响应
- 显示器或附件存在严重物理损坏，包括不可接受的屏幕清晰度、损坏的涂层、腐蚀、异常噪音、电缆撕裂、电线暴露和/或任何损坏，无法确保安全安装接口
- 电源 LED 闪烁黄色

预期使用寿命

此外，设备和设备附件使用寿命的长短很大程度上取决于磨损、清洁方法以及使用造成的损坏。要降低设备维修的频次，请务必遵守本用户手册和设备附件用户手册中的保养和操作说明。

弃置



根据经修订的欧洲关于废弃电气和电子设备 (WEEE) 的 2012/19/EU 指令，产品和附件应单独收集以进行回收。不可作为未分类的城市垃圾进行处置。联系当地经销商了解处置信息。确保受影响的设备在回收前根据本 IFU “清洁和灭菌” 一节以及设备附件的 IFU 进行清洁。

请根据潜在污染物常规机构惯例处置任何系统附件。

不良事件报告

对于与本设备相关的任何严重事件，均应报告至 Stryker 以及欧盟境内受影响人员所在成员国的主管部门。

技术规格

显示器

| | |
|--|---|
| 液晶显示面板 | 26" (661mm) 对角线 (a-Si TFT 有源矩阵 LCD) |
| 同步 | 2.5 – 5.0Vpp 分离式同步 |
| 像素点距 | 0.300 (H) x 0.300 (V) mm |
| 响应时间 | < 18ms (典型值) |
| 视角 | 右/左/上/下 89 度 |
| 显示色彩 | 10 亿色 (10 位) |
| 原始分辨率 | 1920 (H) 点 × 1080 (V) 行 |
| VisionPro 26" LED 显示器信号 | DVI、VGA、3G/HD/SD-SDI (输入/输出)、C 端子/SOG、S 端子、分量/RGB (Y/G、Pb/B、Pr/R、HS、VS)、RS232 |
| VisionPro SYNK 26" 无线 LED 显示器信号 | 无线数字 RGB、DVI、S 端子、C 端子/SOG、RS232 和 USB |
| 最大像素时钟频率 | 165MHz |

电气

| | |
|-----------------|---|
| 电源适配器 | 输入：100 – 240VAC; 50 – 60Hz; 2.5A (2.5A - 1.5A) 输出：24V DC; 6.25A (最大 150W) 型号：BPM150S24F11 |
| 功耗 (大约值) | 35 – 65W |

电流/电压额定值

请确保相应的电源线符合适用的当地法规和标准。

| | |
|--------------------------|---|
| 110V +/- 10V 电源插座 | 选择经过 UL 和 C.S.A 认证的电源线, SJT 或 SVT 类, 3 线芯, 18AWG, 以模塑医用级插头封端 (插头额定值为 110V +/- 10V 15A), 最短为 1.8 m。 |
| 220V +/- 20V 电源插座 | 选择符合国际协调标准并且标有 "<HAR>" 的电源线, 3 线芯, 最低 0.75mm ² 线芯, 额定值 220V +/- 20V 10A, 带 PVC 绝缘层。电源线必须带模塑插头, 额定值为 220V +/-20V 10A。电源线和插头必须适用于医疗用途。 |

尺寸

| | |
|-----------------------|----------------------|
| 尺寸 (宽 × 高 × 厚) | 660.4 × 442 × 86.4mm |
| 重量 (大约值) | 8.3kg |
| VESA 安装接口 | VESA 100 × 100mm |

操作条件

| | |
|--------|-----------|
| 温度范围 | 10 – 40°C |
| 相对湿度范围 | 25 – 75% |

运输和贮存条件

| | |
|--------|------------|
| 温度范围 | -18 – 60°C |
| 相对湿度范围 | 15 – 90% |

产品分类和获得认证

Class 1 (1 类) 设备

医疗设备在避免电击、火灾危险和机械危险方面仅符合 UL 60601-1 和 CAN/CSA C22.2 No.601.1 标准。

IP23: 防护手指或类似物体接触危险部件, 水喷洒侵入防护 (小于垂直方向 60°) 连续工作

符合性

FCC 规范

VisionPro 26" LED 显示器:

FCC 第 15 部分 B 级

FCC 标识符: QVXAMM261WTDS

VisionPro SYNK 26" 无线 LED 显示器:

FCC 第 15 部分 B 级

FCC 标识符: QVXAMM261WTDSW

FCC 第 15 部分 C 级

FCC 标识符: SSH-SYNKRX (接收器主板)

FCC 标识符: SSH-SDMAN (附件主板)

IC 规范

VisionPro SYNK 26" 无线 LED 显示器:

IC: 4919C-SYNKRX (接收器主板)

IC: 4919C-SDMAN (附件主板)

注释: 要获取有关产品改进和新产品方面的信息, 请联系您当地的 Stryker Endoscopy 销售代表。

电磁兼容性

与其他医疗电气设备一样，使用 VisionPro 26" LED 显示器和 VisionPro SYNK 26"无线 LED 显示器时需要特别小心，以确保其与其他医疗电气设备之间的电磁兼容性。为确保电磁兼容性(EMC)，必须按照本手册提供的电磁兼容性信息安装和操作显示器。显示器与其它设备的电磁兼容性按照 IEC 60601-1-2 标准的要求设计并通过了测试。

注：本设备用于专业医疗保健环境。它不适用于磁共振成像医疗电气系统的射频屏蔽室（电磁干扰强度高）。

注：在靠近工作中的高频手术器械的特殊环境中，本设备不太可能受到高频手术器械的干扰。如果观察到高频手术干扰，则调整设备的间隔距离。



警告

当本设备与其它医疗电子设备连接时，漏电电流可能会累加。为使每位患者的总漏电电流降至最小，请确保所有系统均按照 IEC 60601-1-1 标准的要求进行安装。

注意


便携式和移动式射频通信设备可能会影响显示器的正常工作。请勿使用非随显示器提供的其它（非原装）线缆或附件，否则会增大设备的电磁辐射或降低其对其它设备所产生电磁辐射的抗扰性。如果使用显示器时接近其它设备或与其它设备叠放，在用于手术操作之前，需按照将要使用的配置检查并验证显示器能够正常操作。有关放置显示器的指导，请查阅下列各表。

规范指南和制造商声明：电磁辐射

VisionPro 26" LED 显示器和 VisionPro SYNK 26" 无线 LED 显示器适用于下文指定的电磁环境。显示器的客户或使用者应确保在这种环境中使用显示器。

| 辐射测试 | 符合性 | 电磁环境 - 规范指南 |
|-------------------------|-------|---|
| 射频辐射 CISPR 11 | 第 1 组 | 显示器仅将射频能量用于其内部功能，因此其射频辐射很低，并且不大可能会对附近的电子设备造成干扰。 |
| 射频辐射 CISPR 11 | B 类 | 若遵照以下警告事项，则显示器适合在所有电路设施中使用，本地电路设施和直接连接到公共低电压供电网（为本地建筑物民用电用途供电）的电路设施除外： |
| 谐波辐射 IEC 61000-3-2 | D类 | |
| 电压波动/闪变辐射 IEC 61000-3-3 | 合规 | 警告：本系统仅限专业医务人员使用。本系统可能导致无线电干扰或可能干扰邻近设备的操作。因此可能需要采取缓解措施，例如重新定向或重新放置本系统，或屏蔽其位置。 |

| 规范指南和制造商声明 - 电磁抗扰性 | | | |
|--|--|--|--|
| VisionPro 26" LED 显示器和 VisionPro SYNK 26" 无线 LED 显示器适用于下文指定的电磁环境。显示器的客户或使用者应确保在这种环境中使用显示器。 | | | |
| 抗扰性测试 | IEC 60601 测试等级 | 符合性等级 | 电磁环境 - 使用指南 |
| 静电放电 (ESD) IEC 61000-4-2 | ±8kV 接触 ±15kV 空气 | ±8kV 接触 ±15kV 空气 | 地板应采用木板、水泥或瓷砖铺设。如果地板上覆盖有合成材料，则相对湿度应至少达到 30%。 |
| 电快速瞬变/脉冲群 IEC 61000-4-4 | 供电线路 ±2kV 输入/输出线路 ±1kV (如适用) | 线路对接地 ±2kV ±1kV 线路至线路 (如适用) | 主电源质量应符合典型商用或医用环境要求。 |
| 电涌 IEC 61000-4-5 | ±1kV 差模 ±2kV 共模 | ±1kV 差模 ±2kV 共模 | 主电源质量应符合典型商用或医用环境要求。 |
| 电源线路上的电压 骤降、短时断路和 电压波动 IEC 61000-4-11 | 0% U_T , 0.5 个周期 0% U_T , 1 个周期 70% U_T , 25 个周期 0% U_T , 5 秒 | 0% U_T , 0.5 个周期 0% U_T , 1 个周期 70% U_T , 25 个周期 0% U_T , 5 秒 | 主电源质量应符合典型商用或医用环境要求。如果发射机的用户需要在主电源中断时继续操作，建议用不间断电源或电池向无线发射机供电。 |
| 工频 (50/60Hz) 磁场 IEC 61000-4-8 | 30A/m | 30A/m | 工频磁场水平应为典型商用或医用环境中典型地点的水平。 |
| 注： U_T 是应用测试级别前的交流主电源电压。 | | | |

| 规范指南和制造商声明：电磁抗扰性 | | | |
|---|--|-------------------------|--|
| VisionPro 26" LED 显示器和 VisionPro SYNK 26" 无线 LED 显示器适用于下文指定的电磁环境。显示器的客户或使用者应确保在这种环境中使用显示器。 | | | |
| 抗扰性测试 | IEC 60601 测试等级 | 符合性等级 | 电磁环境 - 使用指南 |
| 传导射频 IEC 61000-4-6 辐射射频 IEC 61000-4-3 | 3Vrms 150kHz 至 80MHz 10V/m 80MHz 至 2.7GHz | 3V 10V/m | <p>勿在接近显示器的任何部分（包括线缆）使用便携和移动式射频通信设备，而应在根据适用于发射机频率的等式计算出的建议间隔距离使用。</p> <p>建议的间隔距离： $d = 2 \sqrt{P}$ 80MHz 至 2.7GHz</p> <p>其中 P 指发射机制造商提供的发射机最大额定输出功率，以瓦 (W) 为单位；d 指建议的间隔距离，以米 (m) 为单位。根据电磁现场测量确定的固定射频发射机磁场强度 (a) 应小于每个频率范围的符合性等级 (b)。</p> <p>标有以下符号的设备附近可能会产生干扰：</p>  |
| <p>(a) 理论上讲，无法精确地预测来自固定发射机的场强，如无线电（手机 / 无绳电话）发射基站和地面移动无线电系统、业余无线电系统、调幅和调频无线电广播及电视广播等。要评估固定射频发射机所产生的电磁环境，应考虑进行电磁现场调查。如果测量的使用 VisionPro 26" LED 显示器和 VisionPro SYNK 26" 无线 LED 显示器的场所的场强超过了适用的射频符合规定水平，应该观察 VisionPro 26" LED 显示器和 VisionPro SYNK 26" 无线 LED 显示器，以验证是否能正常操作。如果观察到异常性能，则可能需要采取其它措施，例如重新定向或重新放置显示器。</p> <p>(b) 在 150kHz 至 80MHz 频率范围内，场强应小于 3V/m。</p> | | | |

对射频无线通信设备抗扰性的测试规范

| 测试频率 (MHz) | 频段 (MHz) | 服务 | 调制 | 最大功率 (W) | 距离 (m) | 抗扰性测试电平 (V/m) |
|------------|-------------|--|---------------------------|----------|--------|---------------|
| 385 | 380 – 390 | TETRA 400 | 脉冲调制 18Hz | 1.8 | 0.3 | 27 |
| 450 | 430 – 470 | GMRS 460、 FRS 460 | FM ±5kHz 偏离 1kHz 正弦 | 2 | 0.3 | 28 |
| 710 | 704 – 787 | LTE 频段 13 、 17 | 脉冲 调制 217 Hz | 0.2 | 0.3 | 9 |
| 745 | | | | | | |
| 780 | | | | | | |
| 810 | 800 – 960 | GSM 800/900 、 TETRA 800、 iDEN 820、 CDMA 850、 LTE 频段 5 | 脉冲 调制 18Hz | 2 | 0.3 | 28 |
| 870 | | | | | | |
| 930 | | | | | | |
| 1720 | 1700 – 1990 | GSM 1800; CDMA 1900; GSM 1900; DECT; LTE 频段 1 、 3、 4、 25; UMTS | 脉冲 调制 217 Hz | 2 | 0.3 | 28 |
| 1845 | | | | | | |
| 1970 | | | | | | |
| 2450 | 2400 – 2570 | 蓝牙、 WLAN、 802.11 b/g/n、 RFID 2450、 LTE 频段 7 | 脉冲 调制 217 Hz | 2 | 0.3 | 28 |
| 5240 | 5100 – 5800 | WLAN 802.11 a/n | 脉冲 调制 217 Hz | 0.2 | 0.3 | 9 |
| 5500 | | | | | | |
| 5785 | | | | | | |

注：应该在距离 VisionPro 26" LED 显示器和 VisionPro SYNK 26" 无线 LED 显示器至少 30 cm 的地方使用便携式射频通信设备。否则，本设备的性能可能下降。

在此，Stryker 声明 VisionPro SYNK 26" 无线 LED 显示器符合指令 1999/5/EC 的基本要求和其它相关规定。可以从 Stryker Endoscopy, 5900 Optical Court, San Jose, CA, 95138, USA 获取合规声明

符号和定义

在本产品、产品标签或包装上使用以下符号。每个符号都含有特殊意义，如下文所述：



请查阅《使用说明》



注意：参阅《使用说明》



序列号



数量



温度范围



湿度范围



欧洲授权代表



原产国



产品目录编号



直流电



制造日期



合法制造商



经测试符合 FCC B 和 C 类设备标准



无线传输



美国联邦法律限制本设备仅能由医生销售或遵照医嘱销售



本设备符合欧盟医疗器械要求。



设备回收代码（适用于中国）



中国强制认证标志

IP23

外壳提供以下防护：

- 防止手指或类似物体接触危险部件
- 水喷洒侵入防护（小于垂直方向 60°）



符合澳大利亚监管要求



医疗设备在避免电击、火灾危险和机械危险方面符合 AAMI ES60601-1 和 CSA C22.2 No. 60601-1-08-CAN/CSA 标准



本产品包含电气废弃物或电子设备。此设备按未分类的城市垃圾进行处置，必须单独收集。



欧盟医疗器械

目次

| | |
|-----------------------|--------|
| 警告と注意 | JA-501 |
| 装置について | JA-504 |
| 用途と適応 | JA-505 |
| 禁忌 | JA-505 |
| 梱包内容 | JA-506 |
| 装置の特徴 | JA-507 |
| セットアップ | JA-512 |
| 接続 | JA-512 |
| 基本的なビデオセットアップ | JA-514 |
| 操作 | JA-515 |
| オンスクリーン表示 (OSD) | JA-515 |
| OSDメニュー | JA-517 |
| トラブルシューティング | JA-520 |
| クリーニングとメンテナンス | JA-521 |
| 技術仕様 | JA-523 |
| 電磁両立性 | JA-525 |
| 記号と定義 | JA-529 |

警告と注意

本書をよくお読みになり、書かれている指示を厳守してください。「警告」、「注意」、「注」にはそれぞれ特別な意味があるので、特に注意してお読みください。
警告：本装置の使用者および患者が重傷を負う可能性を避けるために取るべき措置を示しています。

注意：装置にリスクがある内容を示します。記述内容に従わないと、装置に損傷を与える場合があります。

注：使用方法を明確にしたり、有用な追加情報を示すための特別な情報を示します。

警告

本装置の使用者および患者が重傷を負う可能性を避けるために、以下の警告に留意してください。

1. 本装置をご使用になる前に本書を最後までお読みになり、内容をよく理解してください。
2. アメリカ合衆国連邦法により、本装置は医師による指示または注文に応じてのみ販売されます。
3. 製品を慎重に開梱し、輸送中に破損していないか点検してください。
4. 本装置は非滅菌品なので、無菌区域内に設置しないでください。
5. 電源コードの上に本装置やその他の重い物を載せないでください。ケーブルが破損すると火災や感電のおそれがあります。
6. 感電を避けるため、ベゼル（枠）は外さないでください。
7. 本装置は、他の装置の近くで使用したり、他の装置と積み重ねて使用したりしないでください。他の機器の近くで使用したり他の機器と積み重ねて使用したりする必要がある場合は、使用時の構成で本装置を観察し、正常に機能することを確認してください。
8. 外科的処置の前に本装置をテストしてください。本装置は、工場出荷前テストが完了しています。
9. 本書で特に説明していない内部の修理や調整は行わないでください。再調整、改造、修理は、Stryker Endoscopyの認定した人物が実施する必要があります。
10. パネル内に物が入らないよう注意してください。そのような場合は、装置の電源コードをコンセントから抜き、有資格スタッフに点検させてから操作を続けてください。
11. 患者環境にある電源で本装置を用いる場合は、液体と接触しないよう十分に注意してください。
12. 指定されたもの以外のケーブルや他の付属品を本装置に使用すると、本装置のエミッションの増加または免疫性の低下の原因となることがあります。

注意

1. 接地信頼性を得るために、接地した電源コンセントに病院グレードの電源コードが接続されていることを確認し、本装置をその電源コードに接続したACアダプターに接続してください。
2. 本装置は滅菌しないでください。繊細な電子部品は滅菌には耐えられません。
3. 本ディスプレイには専用の外科用ディスプレイ電源のみを使用してください。DC電源コードと延長コードの間の接続を完全に固定してください。
4. 低温の場所から暖かい場所へ移動した直後には、絶対に本装置を使用しないでください。
5. 海外電源に接続する場合は、本書の「技術仕様」の項に記載されているように、電源コンセントに適したアタッチメントプラグを使用してください。
6. 長期間使用しない場合は、本装置の電源コードをコンセントから外してください。電源コードを外す際は、まずプラグのねじをゆるめ、その後、プラグを持ってコードをコンセントから抜いてください。絶対にコードを引っ張らないでください。
7. 本装置に水分がかからないよう注意し、また画面に液体洗剤を直接かけないでください。洗浄液を柔らかい布に吹き付けてから、布でそっと拭いてください。詳細については、本書の「クリーニングとメンテナンス」の項を参照してください。
8. 内部に熱がこもり高温になるのを防ぐため、十分な換気を心がけてください。換気口をふさぐおそれのある物（敷物、毛布等）の上や素材（カーテン、ドレープ）の近くに本装置を設置しないでください。本装置は自然対流冷却で、ファンはありません。
9. 信号入出力コネクタが患者に触れないようにしてください。SIP/SOPコネクタのある機器は、IEC 60601-1またはIEC 60601-1-1整合国内規格に適合すること、あるいは併用の安全性について評価することが必要です。
10. 電磁両立性を確保するため、本書の「電磁両立性」の項を参照してください。VisionPro 26" LEDディスプレイ（0240-031-020）およびVisionPro SYNK 26"ワイヤレスLEDディスプレイ（0240-031-000）は、本書に記載されているEMC情報に従って設置し操作する必要があります。
11. 本書で説明されているクリーニング方法に細心の注意を払ってください。指示を守らない場合は、損傷の原因となるおそれがあります。
12. 直射日光の当たる場所や埃の多い場所、機械的振動、衝撃を受ける場所の近くに本装置を設置しないでください。
13. 本装置は、電源コードを電源本線から抜くのが難しい場所に配置しないでください。
14. ガラス製の装置画面を下向きにした状態で操作しないでください。
15. 本装置はていねいに取り扱いってください。画面を何かにぶついたり擦ったりしないでください。
16. 適合性の管理責任者が明示的な承認を与えていない変更や改造を行うと、ユーザーの本装置を操作する権限が剥奪される可能性があります。

17. 注：本装置は、FCC規則パート15に従いクラスBデジタル装置の条件に準拠していることが試験で確認済みです。これらの条件は、住宅への設置における有害な干渉から保護されるよう設計されています。本装置はRFエネルギーを発生、使用し、また放射する可能性があります。説明書に従って設置および使用しないと、無線通信に干渉が生じることがあります。特定の設置において干渉が生じないことを保証することはできません。干渉が生じているかどうかは、装置の電源を入れ直して確認できます。干渉を解消するには、以下の対策を試みてください。
- ・ 干渉を受ける装置の向きや場所を変える。
 - ・ 本装置との距離を離す。
 - ・ 別の装置が接続されている回路上にないコンセントに本装置を接続する。
 - ・ メーカーまたはフィールドサービス技術者に相談する。

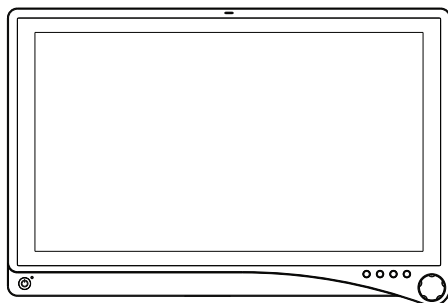
これらの警告または注意を無視すると、保証は無効になります。

本製品は廃電気電子機器を含みます。本製品は、一般廃棄物として廃棄せずに、自治体の指示に従って廃棄する必要があります。

装置について

VisionPro 26" LEDディスプレイ

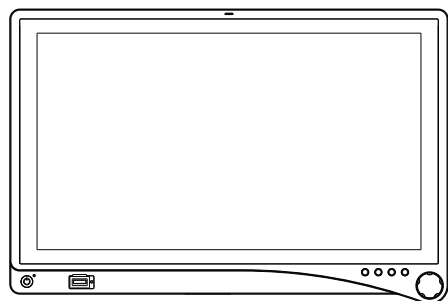
REF: 0240-031-020



VisionPro 26" LEDディスプレイは、WUXGA（1920x1200）の最大解像度に対応できる大画面LED外科用ディスプレイです。本ディスプレイは以下の各種ビデオ入力に対応しています：デジタルRGB、アナログRGB、シリアルデジタルインターフェース（SDI）、コンポーネントビデオ（YPbPr/RGBS）、Sビデオ、Cビデオ/SOG。また、RS232ポートを介してシリアル通信に対応しています。

VisionPro SYNK 26"ワイヤレスLEDディスプレイ

REF: 0240-031-000



VisionPro SYNK 26"ワイヤレスLEDディスプレイは、無線周波数リンクによる高精細度ビデオ信号の受信を可能にするオプションのSYNK送信機（0240-031-010または0240-031-011）と併用することができます。

本ディスプレイは、次のビデオ入力に対応しています：DVI、Sビデオ、Cビデオ/SOG。ワイヤレス機能を使用可能にすると、ワイヤレスデジタルRGBビデオ入力にも対応できるようになります。また、RS232ポートを介したシリアル通信やUSBポートにも対応しています。

注：VisionPro SYNK 26"ワイヤレスLEDディスプレイのワイヤレス機能は、SYNK送信機を介してのみ使用可能になります。

SYNKワイヤレス送信機およびVisionPro SYNK 26"ワイヤレスLEDディスプレイのワイヤレス機能の詳細と使用方法については、SYNKワイヤレス・システムの取扱説明書（P21693）を参照してください。

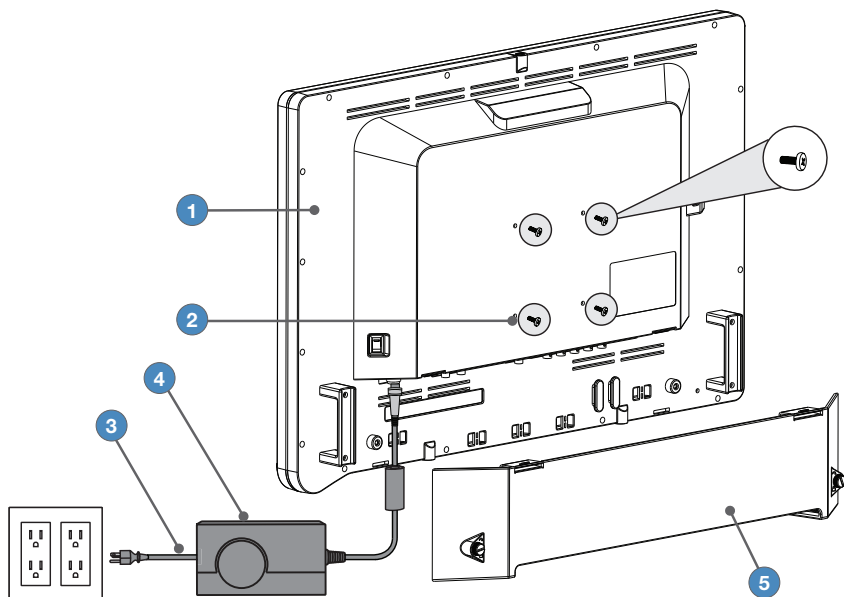
用途と適応

VisionPro SYNK 26"ワイヤレスLEDディスプレイおよびVisionPro 26" LEDディスプレイは、手術中にビデオ画像を表示するための製品です。手術には関節鏡術（整形外科）、腹腔鏡術（一般および婦人外科）、胸腔鏡術、内視鏡術（一般、消化器および耳鼻咽喉外科）、一般手術が含まれます。本ディスプレイは、無菌区域内の使用を意図していない、非滅菌で再使用可能な装置です。本ディスプレイは、これらの外科的処置について熟知した有資格医師が使用することを意図しています。

禁忌

本装置に既知の禁忌はありません。

梱包内容



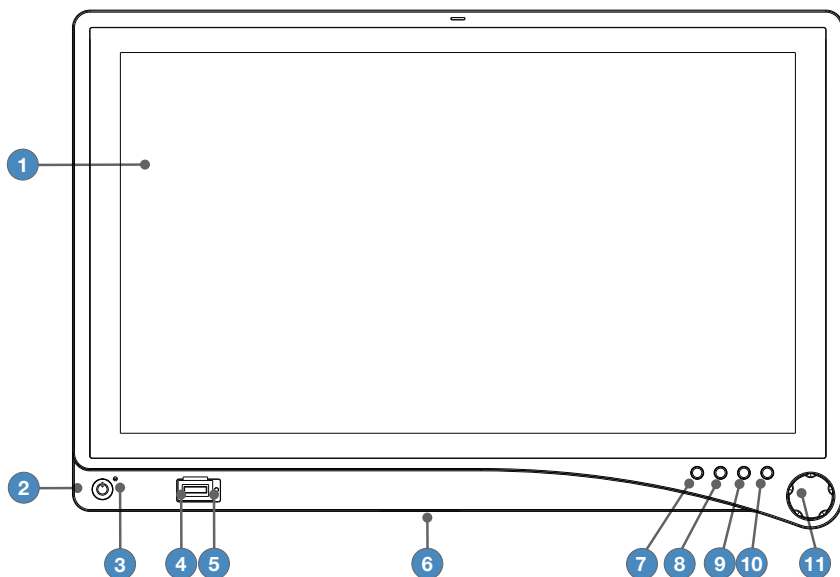
| 参照 | 部品番号 | 梱包内容 |
|----|------------------------------|--|
| 1 | 0240-031-020 0240-031-000 | VisionPro 26" LEDディスプレイまたは VisionPro SYNK 26"ワイヤレスLEDディスプレイ |
| 2 | - | (4) M4 × 16mm VESAスクリュー |
| 3 | - | 病院グレードのAC電源コード |
| 4 | 0240-031-004 | 医療用電源装置 |
| 5 | - | ケーブルカバー |

| 部品番号 | オプションの付属品 |
|--------------|------------------------|
| 0240-031-002 | VisionPro 26"ディスプレイカバー |
| 0240-031-004 | 医療用電源装置 |
| 0240-031-010 | SYNK ワイヤレス送信機 |
| 0240-030-951 | 4.5m (5ピン) DC延長ケーブル |
| 0240-030-952 | 23m (5ピン) DC延長ケーブル |

装置の特徴

前面パネル

本ディスプレイの操作には、前面パネルにある回転コントローラを使用します。本ディスプレイのコントロール類と機能を以下に示します。



- | | |
|--|--|
| 1. ディスプレイ画面 | ビデオ映像を表示します。 |
| 2. 電源スイッチ (ソフト) | ディスプレイの電源をオン/オフします。 |
| 3. 電源LED | 現在の状態を示します： 緑色 - ディスプレイの電源がオンまたはスクリーンセーバーモード 赤色の点滅 - スリープモード 黄色の点滅 - 電源が過電圧または低電圧 |
| 4. トークン挿入口 (VisionPro SYNK 26" ワイヤレスLEDディスプレイのみ) | 送信機とのワイヤレス接続を確立するために使用するトークン挿入口。 |
| 5. トークンLED (VisionPro SYNK 26"ワイヤレスLEDディスプレイのみ) | 緑色 - 接続確立済み 黄色 - 初期化中 黄色の点滅 - エラー、テクニカルサービスにご連絡ください |
| 6. 補助接続 | 補助装置の接続に対応しています。 |

7. 音声/PIP

VisionPro 26" LEDディスプレイ :

はめ込み画像 (PIP) 調整メニューにアクセスします。

VisionPro SYNK 26"ワイヤレスLEDディスプレイ :

2回押すと、はめ込み画像 (PIP) 調整メニューにアクセスできます。

注：現在、音声機能は使用できません。

8. 明るさ

明るさ調整メニューにアクセスします。

9. 専門分野

専門分野調整メニューにアクセスします。

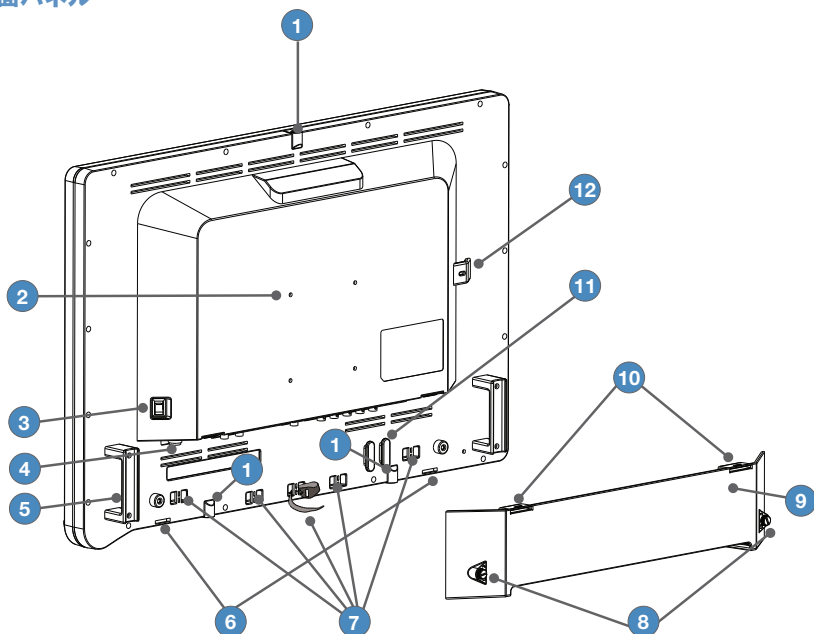
10. 入力

入力選択メニューにアクセスします。

11. 回転コントローラ

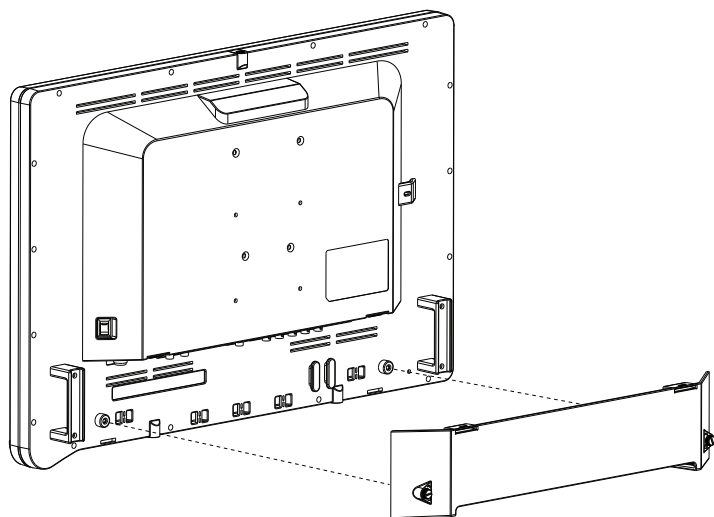
オンスクリーン表示にアクセスし、各機能进行操作します。

背面パネル



- 1. 付属品取り付け口 (3)** オプション付属品を取り付けるためのアクセスポイントを提供します。
- 2. VESA取り付け穴** ディスプレイを取り付けるためのアクセスポイントを提供します。
- 3. 電源スイッチ (ハード)** 入力DC電源をオン/オフします。
- 4. 電源コネクタ** 24VのDC電源に接続します。
- 5. ハンドル** ディスプレイの配置を補助します。
注意：ハンドルはディスプレイの全重量を支えるためのものではありません。
- 6. ケーブルカバーヒンジ** ケーブルカバーの下部をディスプレイに取り付けます。
- 7. Velcroストラップ** ケーブル管理を補助するストラップ。
- 8. ケーブルカバー蝶ネジ** ケーブルカバーをディスプレイに取り付けます。指で締めたり緩めたりできます。
- 9. ケーブルカバー** ケーブルを覆って隠します。
- 10. ケーブルカバークリップ** ケーブルカバーの上部をディスプレイに取り付けます。
- 11. ケーブルラップ** ケーブルを巻きつける場所を提供します。
- 12. ロック機能** 安全のため、ロック機構またはケーブルをここに配線することもできます。

ケーブルカバー



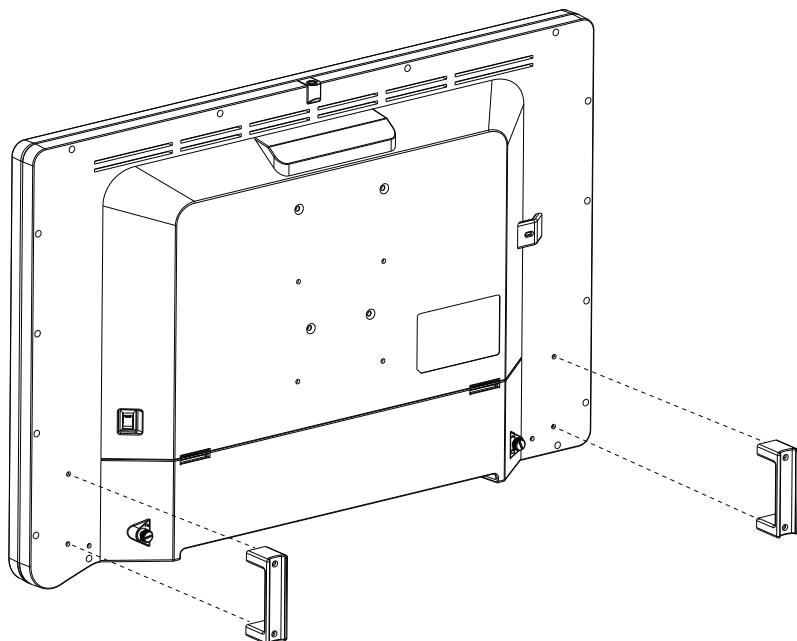
ケーブルカバーの取り付け

1. ケーブルカバーの左右のヒンジをディスプレイ背面下部の位置に合わせます。
2. ケーブルカバーの上部を位置合わせクリップにカチッとはめます。
3. 指で蝶ネジを時計方向に回して締め、ケーブルカバーをディスプレイにロックします。

ケーブルカバーの取り外し

1. 指で蝶ネジを反時計回りに回して緩めます。
2. 蝶ネジを完全に緩めたら、左右のクリップをはさみ、ケーブルカバーを手前に引きます。
3. ケーブルカバーを左右のヒンジから取り外します。

ディスプレイハンドル



注意：ハンドルはディスプレイの配置を補助するためのもので、ディスプレイを運搬するためのものではありません。ハンドルではディスプレイの全重量を支えられません。

ディスプレイハンドルの取り外し

1. 3mmの六角キーを使用して、2個のM4 x 30mmネジを緩め、ハンドルをディスプレイからそっと引き離します。

ディスプレイハンドルの取り付け

1. ハンドルの位置をディスプレイ背部のネジ孔と合わせます。
2. 3mmの六角キーを使用して、2個のM4x30mmネジを取り付けてハンドルを接続します。

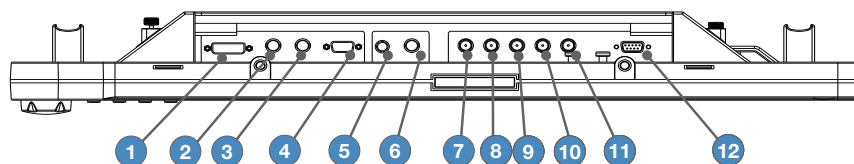
セットアップ

Stryker Endoscopyでは、本装置の操作トレーニングすなわち現場サービスを非常に大切であると考えています。お使いの装置のセットアップをお手伝いし、操作方法とメンテナンス方法をご説明するために、お近くのStryker Endoscopy販売代理店ではお客様のご都合のよい時に少なくとも1回の現場サービスを実施いたします。装置がお手元に届きましたら、お近くのStryker Endoscopy代理店へ現場サービスをお申し込みください。

接続

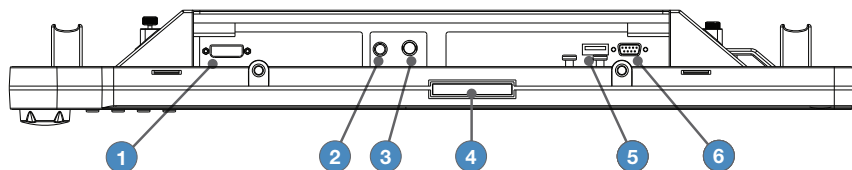
VisionPro 26" LEDディスプレイの接続ポート

ビデオ入力および出力信号は、下図に示すようにディスプレイ背面に接続します。



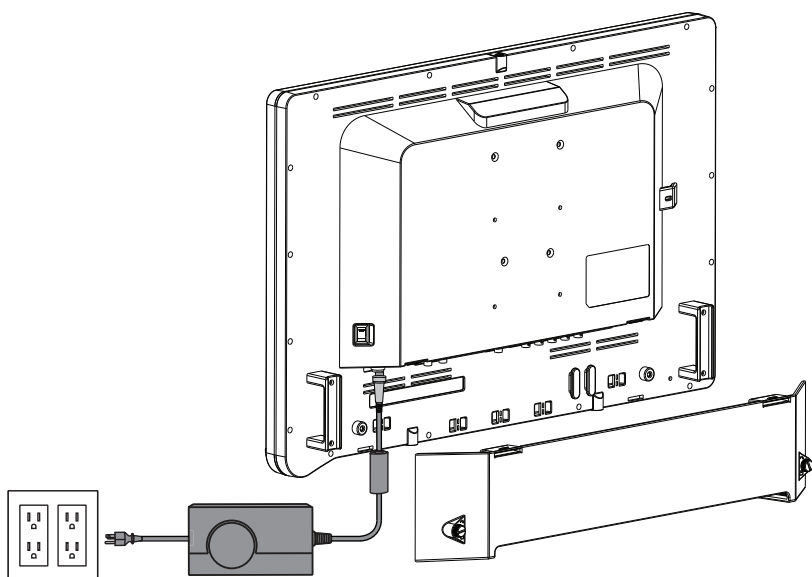
- | | |
|----------------------|-----------|
| 1. DVI | 7. R/Pr |
| 2. 3G/HD/SD SDI入力 | 8. G/Y |
| 3. 3G/HD/SD SDI出力 | 9. B/Pb |
| 4. VGA | 10. H同期 |
| 5. Sビデオ | 11. V同期 |
| 6. Cビデオ/SOG | 12. RS232 |

VisionPro 26"ワイヤレスLEDディスプレイの接続ポート



- | | |
|-------------|-----------|
| 1. DVI | 4. 補助コネクタ |
| 2. Sビデオ | 5. USB |
| 3. Cビデオ/SOG | 6. RS232 |

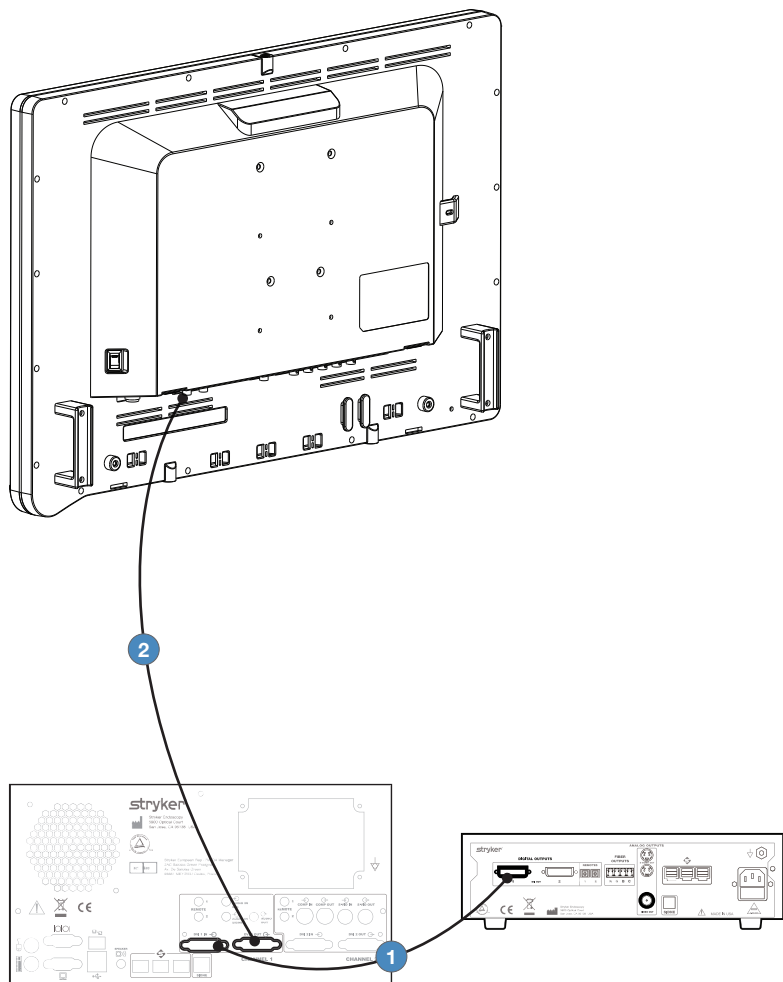
電源装置の接続



1. 電源をディスプレイの24V入力に接続します。
2. AC電源コードを電源装置に接続します。*
3. 付属の病院グレードの電源コードを使用してAC電源を接続します。
4. (オプション、図には含まれていません) 電源とディスプレイの間に延長コードを接続します。
5. ケーブルカバーを取り付けます。

* 電源情報：モデル番号：BPM150S24F11、製造元：Bridgepower Corp.

基本的なビデオセットアップ



1. カメラからのビデオ出力1をSDC DV1入力へ配線します。
2. SDC DV1出力からのビデオ出力1をディスプレイのDVI入力へ配線します。

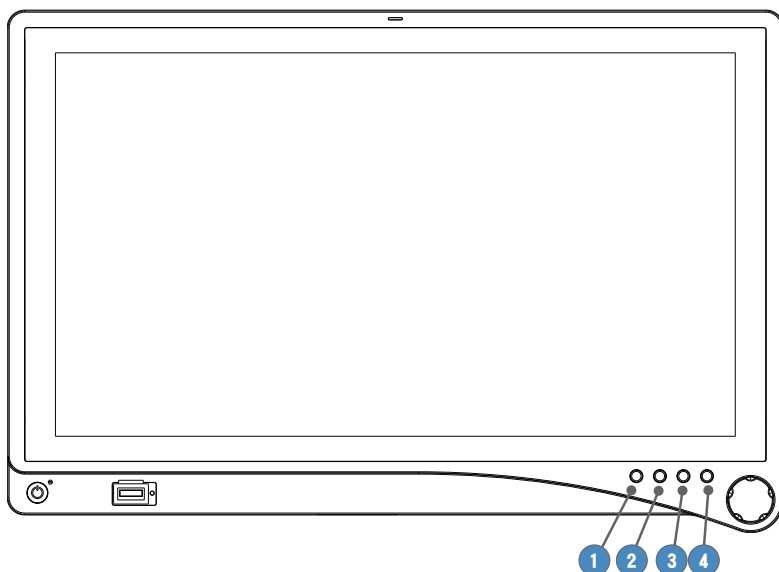
注：カメラへのバックアップ接続を推奨します。

操作

本ディスプレイの操作には、前面パネルにある回転コントローラと4個のボタンを使用します。本ディスプレイのコントロール類と機能を以下に示します。

オンスクリーン表示 (OSD)

オンスクリーン表示へのアクセス



4個の前面パネルボタンを使用するには：

1. **音声/PIP (VisionPro SYNK 26"ワイヤレスLEDディスプレイ)：**
 - ・ 2回押すと、画像モード（はめ込み画像（PIP）、2画像表示（PBP）、オーバーレイ画像（POP））が起動します。
2. **PIP (VisionPro 26" LEDディスプレイ)：**
 - ・ 押すと、画像モード（はめ込み画像（PIP）、2画像表示（PBP）、オーバーレイ画像（POP））が起動します。
3. **明るさ：**明るさ調整メニューを起動します。
4. **専門分野：**専門分野調整メニューを起動します。
5. **入力：**入力選択メニューを起動します。

メニューを起動した後は、回転コントローラを使用して画面上のメニューをナビゲートします。

- ・ **押す** — オンスクリーン表示メニューにアクセス/選択します。
- ・ **左右に回す** — オンスクリーン表示メニューがアクティブの状態ですと、選択したパラメータの値を増減します。
- ・ **押し続ける** — オンスクリーン表示メニューを終了します。

オンスクリーン表示の操作

本装置のOSDで、さまざまな装置メニューを操作できます。

1. **回転コントローラ**を押すと、OSDメニューが起動します。
2. **回転コントローラ**を回すとメニュー内を上下に移動します。
パラメータを選択すると、そのパラメータがハイライト表示されます。
3. **回転コントローラ**を押すと、次のレベルのOSDメニューに入ります。
4. **回転コントローラ**を回すと、選択したパラメータの値を増減、または、さまざまなオプションを選択できます。
5. 第二または第三レベルOSDメニューからOSDメニュー画面を終了するには、Exit（終了）オプションを選択します。完全にOSDを終了するには、**回転コントローラ**を押し続けます。どのキーも押さないと、OSDは、出荷時に設定されたプリセットの時間が経過した後で自動的に終了します（この時間はカスタマイズできます）。

OSDメニュー

Specialty (特殊設定)

| メニュー項目 | 説明 | 範囲 |
|-------------------------------------|--|----------------------|
| Color Temperature (色温度) * | Lap A (腹腔鏡A)、Lap B (腹腔鏡B)、Arthro A (関節鏡A)、Arthro B (関節鏡B)、Standard (標準)、PACS、NORM、ENT (耳鼻咽喉)、GYN (婦人科) の色温度を選択します。 | — |
| Red (赤) | 赤のバランス | -128~127 |
| Green (緑) | 緑のバランス | -128~127 |
| Blue (青) | 青のバランス | -128~127 |
| Gamma (ガンマ) | ガンマ値 | 0.1~2.5、 S0、S1、S2 |

* Color Temperature (色温度) RGBの調整はStandard (標準) 設定、Arth (関節鏡) 設定、Lap (腹腔鏡) 設定にのみ使用可能。PACSおよびNorm調整はSOG入力時のみ使用可能。

音声 (メニューは現在使用できません)

Brightness Settings (明るさの設定)

| メニュー項目 | 説明 | 範囲 |
|---------------------------------------|-----------|-------|
| Brightness (輝度) | 輝度を増減 | 0~100 |
| Contrast (コントラスト) | コントラストを増減 | 0~100 |
| Phase (位相) ** | 位相レベルを増減 | 0~100 |
| Chroma (彩度) ** | 彩度レベルを増減 | 0~100 |
| Image Sharpness (画像鮮明度) | 画像鮮明度を設定 | 1~10 |
| Video Sharpness (ビデオ鮮明度) ** | ビデオ鮮明度を増減 | 0~100 |

** SDI、SまたはCビデオ入力時のみ使用可能。

Image Effect (画像効果)

| メニュー項目 | 説明 |
|--------------------------------|--|
| Scale Mode (スケールモード) | スケールモードをFill All (フルスクリーン)、V-fill、H-fill、One-To-One (1対1)、Fill To Aspect (縦/横比) から選択 |
| Freeze Frame (静止画像) | 画像静止の使用可能と使用不可の切り替え |
| PIP | Picture in picture (はめ込み画像) 機能を使用可能にする |
| POP | Picture on picture (オーバーレイ画像) 機能を使用可能にする |
| PBP | Picture by picture (2画像表示) 機能を使用可能にする |

Advanced Settings (詳細設定)

| メニュー項目 | 説明 | |
|--|---|--|
| Key Lock (キーロック) | キーロックオン：全てのキーの機能を無効にします 回転ノブを押し続けてキーロックをオフにします。 | |
| Auto Source Select (自動ソース選択) | アクティブのビデオソースが検出されるまで入力をスキャンします。 PIP/POP/PBPモードが起動している間、このメニュー項目は無効になっています。 | |
| Sleep Timer (スリープタイマー) | On (オンの場合)：アクティブのビデオソースが検出されない場合、ディスプレイがスリープモードとなります。 | |
| | Off (オフの場合)：ディスプレイはスリープモードとなりません。 | |
| | Timer (タイマー)：アクティブなビデオソースが検出されない場合、画面がスリープモードに入るまでの待ち時間を設定します。 | |
| OSD Control (OSDコントロール) | OSD (オンスクリーン表示) メニューの位置、背景、タイムアウトのコントロール | |
| Restore Factory Settings (出荷前設定復帰) | 出荷前のデフォルト値に設定 | |
| Screen Control (画面コントロール) | VGA | <ul style="list-style-type: none"> • 水平 • 垂直 • 相 • 周波数 |
| | Sビデオ、 Cビデオ、 SOG、RGB、 コンポーネント | <ul style="list-style-type: none"> • 水平 • 垂直 |

SYNK (VisionPro SYNK 26"ワイヤレスLEDディスプレイ)

| ステータス | 説明 |
|---|-----|
| RX APP : XX.XX.XX RX MAC : XX.XX.XX.XX | 受信機 |
| TX APP : XXXX.XX.XX TX MAC : XX.XX.XX.XX | 送信機 |
| WiFi SW : XXX-X.XX 信号 = 非常に良い、良い、悪い デフォルト地域 : XXX 周波数 : XXXX MHz | 送信機 |

Information (情報)

| メニュー項目 | 説明 |
|-------------------------------------|------------------------|
| User Name Entry (ユーザー名入力) | 起動画面に表示するカスタムのユーザー名を入力 |
| Serial Number (製造番号) | 装置の製造番号を表示 |
| Runtime (稼働時間) | 現在の装置総稼働時間を表示 |
| Input Format (入力フォーマット) | 現在の入力フォーマットを表示 |

注：実際のオンスクリーン表示値は、ファームウェアの更新やユーザー設定に伴い異なる場合があります。

トラブルシューティング

お使いのディスプレイを返品して修理を依頼する前に、以下のトラブルシューティングを実施してください。

| 問題 | 現在の状態 | 対策 |
|-------------------|---------------------------------------|--|
| 画面に何も表示されない | 電源LED点灯 | OSDメニューを使用して、輝度とコントラストを最大にしてください。または、デフォルト設定にリセットしてください。 |
| | 電源LED消灯 | ディスプレイの前面および背面の電源スイッチがオンにセットされていることを確認してください。 |
| | | AC電源コードがACアダプタとコンセントに正しく接続されていることを確認してください。 |
| 電源LED点滅 | | 赤 ディスプレイがスリープモードです。どれかキーを押してディスプレイを起動します。 |
| | | 黄色 電源が過電圧または低電圧の可能性あります。 |
| 画像が乱れる | 表示が大きすぎる、小さすぎる、表示されない部分がある、または中心がずれる。 | 表示画像を修正するために、画面コントロールメニューを使用して、位相、周波数、水平、垂直の設定を調整してください。 |
| | | Scale Mode (スケールモード) の設定を調整してください。 |
| | | VGA入力のみ：回転コントローラを1~2秒押し続けて、ビデオ入力を再同期します。 |
| | | ビデオ信号の最初の同期後、数秒間待つか、ディスプレイの電源を一旦切ってから再び入れてください。 |
| OSDエラーメッセージ | 「Out of Range (範囲外)」 | 使用可能なビデオソースが接続されていることを確認してください。 |
| トークンLEDが黄色で点滅している | エラー | テクニカルサービスに連絡してください。 |

クリーニングとメンテナンス



警告
感電や致命傷を防止するため、クリーニングの前にディスプレイと電源装置のコードをコンセントから抜いてください。

注意

- ・ クリーニング液を直接ディスプレイや電源装置に吹き付けしないでください。製品が損傷するおそれがあります。布に吹き付けてから装置を拭いてください。
- ・ ディスプレイや電源装置はいかなる液体にも浸漬しないでください。浸漬すると損傷します。
- ・ ディスプレイや電源装置のクリーニングには、腐蝕性のクリーニング溶液を使用しないでください。製品が損傷するおそれがあります。
- ・ ディスプレイや電源装置を滅菌しないでください。損傷するおそれがあります。

クリーニング

ディスプレイや電源装置をクリーニングするには：

1. ディスプレイカバーが取り付けられている場合は、クリーニング前にカバーを取り外します。
2. **VisionPro SYNK 26"ワイヤレスLEDディスプレイの場合**：清掃前に、トークン挿入口に必ずカバーを取り付けてください。
3. 滅菌済みの乾いた布に標準的な消毒液または中性洗剤を染み込ませます。
4. ディスプレイまたは電源装置を拭きます。
5. ディスプレイ画面をクリーニングする際は、特に注意してください。画面下部または電源差込口に液体や液滴が過剰に混入すると、製品の損傷に結びつくおそれがあります。

点検

使用前に必ず製品を点検してください。以下の状態が認められる場合は、「トラブルシューティング」の項を参照してください。製品の性能に不具合がある場合は、使用を中止し、Stryker代理店までご連絡ください。

- ・ 画像が表示されない、画像が乱れる、画質が許容できないほど悪い
- ・ 電源が入らない
- ・ ボタンやノブの機能に不具合がある、反応しない
- ・ 画面の鮮明度が許容できないほど低い、コーティングの損傷、腐蝕、異常音、ケーブルの断裂、配線の露出、インターフェースを確実に取り付けできないほどの損傷など、ディスプレイまたは付属品に著しい物理的損傷がある
- ・ 電源LEDが黄色で点滅する

予想サービス寿命

本装置および装置付属品のサービス寿命は、摩耗、クリーニング方法、使用による損傷状況に大きく左右されます。本装置の修理頻度を抑えるには、本ユーザーマニュアルおよび装置付属品のユーザーマニュアルに記載のお手入れと取り扱いに関する指示に必ず従ってください。

廃棄



廃電気電子機器（WEEE）に関する欧州議会・理事会指令の改定指令2012/19/EUに従い、製品および付属品は分別のうえリサイクルとして回収される必要があります。一般廃棄物として廃棄しないでください。廃棄に関する詳細は地域の販売代理店にお問い合わせください。リサイクルの前に、本取扱説明書の「クリーニング」の項の記載に従い、汚染された機器を洗浄してください。

システム付属品は、汚染の可能性のある品目に関する通常の院内慣行に従って廃棄してください。

有害事象報告

本器具に関連して発生した重大事項は、Strykerおよび影響を受ける人物が居住する加盟国の管轄当局（欧州連合の場合）に報告してください。

技術仕様

ディスプレイ

| | |
|--|---|
| LCDディスプレイ パネル | 26" (661mm) 対角 (a-Si TFTアクティブマトリクスLCD) |
| 同期化 | 2.5～5.0Vpp分離同期 |
| 画素ピッチ | 0.300 (H) x 0.300 (V) mm |
| 応答時間 | 通常<18ms |
| 視野角 | 左右/上下89° |
| 表示色 | 10億色 (10ビット) |
| ネイティブ解像度 | 1920 (H) ドットx1080 (V) 本 |
| VisionPro 26" LED ディスプレイの信号 | DVI、VGA、3G/HD/SD-SDI (入力/出力)、 Cビデオ/SOG、Sビデオ、コンポーネント/RGB (Y/G、Pb/B、Pr/R、HS、VS)、RS232 |
| VisionPro SYNK 26" ワイヤレスLED ディスプレイの信号 | ワイヤレスデジタルRGB、DVI、Sビデオ、Cビデオ/ SOG、RS232、USB |
| 最大ピクセル クロック | 165MHz |

電気系統

| | |
|-----------------|---|
| 電源アダプタ | 入力：100～240V AC、50～60Hz、2.5A (2.5A - 1.5A) 出力：24V DC、6.25A (最大150W) モデル番号：BPM150S24F11 |
| およその消費電力 | 35～65ワット |

定格電流／電圧

それぞれの電源コードが地域の該当する規制および規格に適合していることを確認してください。

| | |
|-------------------------------|--|
| 110V+/-10V電源 コンセント | ULリストに記載されているC.S.A認証済みのタイプSJTまたはSVTの3導体、18AWGで、定格110V+/-10V、15Aの病院グレード成形プラグキャップ内で終端する長さ1.8m以上の電源コードを選択してください。 |
| 220V+/-20V電源 コンセント | 国際整合の「<HAR>」マーク付き3導体、最低0.75mm ² ワイヤー、定格220V+/-20V、10AのPVC絶縁ジャケット付きの電源コードを選択してください。コードには、定格220V+/-20V、10A成形プラグキャップがある必要があります。コードおよびプラグキャップは、医療用途に適している必要があります。 |

外形寸法

| | |
|----------------------|------------------|
| 外形寸法 (W×H×D) | 660.4×442×86.4mm |
| およその重量 | 8.3 kg |
| VESA取り付け インターフェース | VESA 100×100mm |

動作条件

| | |
|--------|---------|
| 温度範囲 | 10～40°C |
| 相対湿度範囲 | 25～75% |

輸送および保管条件

| | |
|--------|----------|
| 温度範囲 | -18～60°C |
| 相対湿度範囲 | 15～90% |

分類および認可

クラス1機器

医療機器が、感電の危険、火災の危険、および機械的の危険に関してUL 60601-1とCAN/CSA C22.2 No.601.1のみに準拠していることを示します。

IP23：指または同様の物による危険な部品へのアクセスに対する保護、吹き付けた水（垂直から60度未満）の侵入からの保護
連続動作

適合性

FCC規制

VisionPro 26" LEDディスプレイ：

FCCパート15クラスB

FCC識別子：QVXAMM261WTDS

VisionPro SYNK 26"ワイヤレスLEDディスプレイ：

FCCパート15クラスB

FCC識別子：QVXAMM261WTDSW

FCCパート15クラスC

FCC識別子：SSH-SYNKRX（受信機ボード）

FCC識別子：SSH-SDMAN（付属ボード）

IC規制

VisionPro SYNK 26"ワイヤレスLEDディスプレイ：

IC: 4919C-SYNKRX（受信機ボード）

IC: 4919C-SDMAN（付属ボード）

注：変更内容や新製品に関する情報については、お近くのStryker Endoscopy販売代理店へお問い合わせください。

電磁両立性

他の電気医療機器と同様、VisionPro 26" LEDディスプレイおよびVisionPro SYNK 26"ワイヤレスLEDディスプレイには、他の電気医療機器との電磁両立性を保つため特別な注意を払う必要があります。電磁両立性（EMC）を保つため、本書に記載されているEMC関連情報に従って本ディスプレイを設置および操作する必要があります。本ディスプレイは、他の機器とのEMCに関するIEC 60601-1-2要件に適合するよう設計および試験されています。

注：本装置は医療環境での使用を意図しています。EM干渉の度合いが高いため、磁気共鳴画像撮影に用いる医療用電気システムのRF遮蔽室内での使用には適しません。

注：通電状態のHF外科用器具に近接する特殊な環境下でも、本装置がHF外科用器具による干渉の影響をうける可能性は高くありません。HF手術器具による干渉が認められる場合には、本機器との分離距離を調整してください。



警告

本装置を他の電気機器に接続した場合、漏れ電流が増大することがあります。患者あたりの総漏れ電流を最小限に抑えるため、すべてのシステムを必ずIEC 60601-1-1の要求事項に従って設置してください。

注意

携帯および移動RF通信機器は、本ディスプレイの正常な機能に影響を及ぼすことがあります。

本ディスプレイの同梱品以外のケーブルや付属品を使用しないでください。他のケーブルや付属品を使用すると、電磁エミッションの増加またはエミッションに対するイミュニティの低下の原因となることがあります。

本ディスプレイを他の機器の近くで使用または他の機器と積み重ねて使用する場合は、外科的処置で使用する前に、使用時の構成でディスプレイの動作を観察し、正常に機能することを確認してください。ディスプレイを設置する際は、以下の表を参考にして適切に設置してください。

ガイダンスおよび製造者の宣言:電磁エミッション

VisionPro 26" LEDディスプレイおよびVisionPro SYNK 26"ワイヤレスLEDディスプレイは、以下に明記されている電磁環境での使用を意図しています。ディスプレイの顧客またはユーザーは、使用環境が適切であることを確認してください。

| エミッション試験 | 適合性 | 電磁環境:ガイダンス |
|----------------------------------|-------|--|
| RFエミッション CISPR 11 | グループ1 | ディスプレイは内部機能のためにRFエネルギーを使用します。そのため、放出されるRFは非常に微量で、近くの電子機器に干渉が発生する可能性はほとんどありません。 |
| RFエミッション CISPR 11 | クラスB | ディスプレイは、下記の警告に従う限り、一般家庭や、住宅に給電する公共の低電圧電力網に直接接続されている施設を除く、あらゆる施設での使用に適しています。 |
| 高調波エミッション IEC 61000-3-2 | クラスD | 警告：本システムは、医療従事者のみによる使用を意図しています。本システムは、無線干渉が発生したり、近くの機器の動作を不安定にしたりする可能性があります。場合により、緩和措置をとる（例えばシステムの向きや場所を変えたり、設置場所を遮蔽したりする）ことが必要です。 |
| 電圧変動/フリッカエミッション IEC 61000-3-3 | 適合 | |

ガイドランスおよび製造者の宣言：電磁イミュニティ

VisionPro 26" LEDディスプレイおよびVisionPro SYNK 26"ワイヤレスLEDディスプレイは、以下に明記されている電磁環境での使用を意図しています。ディスプレイの購入者またはユーザーは、使用環境が適切であることを確認してください。


| イミュニティ試験 | IEC 60601試験レベル | 適合性レベル | 電磁環境 - ガイドランス |
|--|---|---|--|
| 静電気放電 (ESD) IEC 61000-4-2 | 接触時±8kV 気中±15kV | 接触時±8kV 気中±15kV | 床面は木材、コンクリートまたはセラミックタイルであること。 床面が合成材で覆われている場合は、相対湿度が30%以上であること。 |
| 電気的高速過渡/ バースト IEC 61000-4-4 | 電源ラインの場合±2kV 入/出カラインの場合 ±1kV (該当する場合) | 接地へのライン±2kV ラインからライン±1kV (該当する場合) | 設備側電源は、通常の商業環境または病院環境と同等品質のものを 使用すること。 |
| サージ IEC 61000-4-5 | 差動モード±1kV 同相モード±2kV | 差動モード±1kV 同相モード±2kV | 設備側電源は、通常の商業環境または病院環境と同等品質のものを 使用すること。 |
| 電源入カラインの 電圧ディップ、瞬 時停電、電圧変動 IEC 61000-4-11 | 0% U_T 0.5サイクル 0% U_T 1サイクル 70% U_T 25サイクル 0% U_T 5秒 | 0% U_T 0.5サイクル 0% U_T 1サイクル 70% U_T 25サイクル 0% U_T 5秒 | 設備側電源は、通常の商業環境または病院環境と同等品質のものを 使用すること。施設電源の停電時 も送信機の使用を続行する必要 がある場合は、無停電電源装置 またはバッテリーからワイヤレ ス送信機に給電することをお勧 めします。 |
| 電源周波数 (50/60Hz) 磁界 IEC 61000-4-8 | 30A/m | 30A/m | 電源周波数磁界は、通常の商業環境または病院環境での典型的な場所 に特有のレベルとすること。 |

注： U_T とは、試験レベル印加前のAC本線電圧です。

ガイドンスおよび製造者の宣言：電磁イミュニティ

VisionPro 26" LEDディスプレイおよびVisionPro SYNK 26"ワイヤレスLEDディスプレイは、以下に明記されている電磁環境での使用を意図しています。

ディスプレイの購入者またはユーザーは、使用環境が適切であることを確認してください。

| イミュニティ試験 | IEC 60601試験レベル | 適合性レベル | 電磁環境 - ガイドンス |
|---|------------------------|--------|--|
| 伝導RF IEC 61000-4-6 | 3Vrms 150kHz~80MHz | 3V | <p>携帯用および移動RF通信機器は、ケーブルを含めディスプレイの近くで使用しないでください。このような通信機器は、送信機周波数に適用可能な数式から算出された推奨分離距離内で使用しないでください。</p> <p>推奨分離距離：</p> $d = 2\sqrt{P} \text{ 80MHzから2.7GHz}$ |
| 放射RF IEC 61000-4-3 | 10V/m 80MHz~2.7 GHz | 10V/m | <p>ただし、Pは送信機メーカーによる送信機の最大出力定格ワット数 (W)、dは推奨分離距離メートル数 (m) です。</p> <p>電磁現場調査により決まる固定RF送信機からの電界強度 (a) は、それぞれの周波数範囲の適合レベル (b) 未満である必要があります。</p> <p>次の記号が表示されている機器の近くでは干渉が発生する場合があります。</p>  |
| <p>(a) 無線（携帯/コードレス）電話や地上移動無線の基地局、アマチュア無線、AMおよびFMラジオ放送、テレビ放送等の固定送信機からの電界強度は、理論的に正確に予測することはできません。固定RF送信機による電磁環境を評価するには、現地の電磁調査をご検討ください。VisionPro 26" LEDディスプレイおよびVisionPro SYNK 26"ワイヤレスLEDディスプレイを使用する場所の測定電界強度が上記の適用可能なRF適合レベルを上回る場合は、ディスプレイを観察して正常に動作することを確認してください。性能に異常が認められる場合は、ディスプレイの向きや位置を変える追加措置が必要な場合があります。</p> <p>(b) 150kHzから80MHzまでの周波数範囲では、電界強度は3V/m未満としてください。</p> | | | |

RFワイヤレス通信機器に対するイミュニティの試験済み仕様

| 試験周波数 (MHz) | 帯域 (MHz) | 整備サービス | 変調方式 | 最大電力 (W) | 距離 (m) | イミュニティ試験レベル (V/m) |
|--|-----------|---|-----------------------------|----------|--------|-------------------|
| 385 | 380~390 | TETRA 400 | パルス変調 18 Hz | 1.8 | 0.3 | 27 |
| 450 | 430~470 | GMRS 460、 FRS 460 | FM ± 5 kHz偏差 1 kHz正弦波 | 2 | 0.3 | 28 |
| 710 | 704~787 | LTE帯域13、17 | パルス変調 217 Hz | 0.2 | 0.3 | 9 |
| 745 | | | | | | |
| 780 | | | | | | |
| 810 | 800~960 | GSM 800/900、 TETRA 800、 iDEN 820、 CDMA 850、 LTE帯域5 | パルス変調 18 Hz | 2 | 0.3 | 28 |
| 870 | | | | | | |
| 930 | | | | | | |
| 1,720 | 1700~1990 | GSM 1800 ; CDMA 1900 ; GSM 1900 ; DECT ; LTE帯域1、3、 4、25 ; UMTS | パルス変調 217 Hz | 2 | 0.3 | 28 |
| 1,845 | | | | | | |
| 1,970 | | | | | | |
| 2,450 | 2400~2570 | Bluetooth、 WLAN、 802.11 b/g/n、 RFID 2450、 LTE帯域7 | パルス変調 217 Hz | 2 | 0.3 | 28 |
| 5,240 | 5100~5800 | WLAN 802.11 a/n | パルス変調 217 Hz | 0.2 | 0.3 | 9 |
| 5,500 | | | | | | |
| 5,785 | | | | | | |
| 注：VisionPro 26インチLEDディスプレイおよびVisionPro SYNK26インチワイヤレスLEDディスプレイから30 cm以内では、携帯用RF通信機器を使用しないでください。使用すると、本品の性能が劣化する可能性があります。 | | | | | | |
| これによって、Strykerは、VisionPro SYNK 26"ワイヤレスLEDディスプレイが、1999/5/EC指令の必須要件およびその他の関連条項に適合していることを宣言します。適合性宣言書のコピーは、Stryker Endoscopy, 5900 Optical Court, San Jose, CA, 95138, USAまでご請求ください。 | | | | | | |

記号と定義

以下の記号が本製品、ラベル、または製品包装に表記されています。各記号の定義を以下に示します。



使用説明書を参照してください



注意：使用方法を参照してください



製造番号



数量



温度範囲



湿度範囲



ヨーロッパ認定代理店



原産国



カタログ番号



直流



製造年月日



製造元



FCCクラスBおよびC規格への適合性を試験済みです



ワイヤレス通信



アメリカ合衆国連邦法により、本装置は医師による指示または注文に応じてのみ販売されます。



本製品は欧州連合の医療機器要件を満たしています。



製品リサイクルコード
(中国で適用)



CCC(中国強制認証)マーク

IP23

筐体は以下に対する保護を提供します。

- ・ 指または同様の物による危険な部品へのアクセス
- ・ 吹き付けた水（垂直から60度未満）



オーストラリアの規制要件に準拠



医用機器は、感電の危険、火災の危険、および機械的危険に関して、AAMI ES60601-1およびCSA C22.2 No. 60601-1-08-CAN/CSAに準拠しています。



本製品は廃電気電子機器を含みます。本製品は、一般廃棄物として廃棄せずに、自治体の指示に従って廃棄する必要があります。



欧州連合における医療機器

목차

| | |
|--|--------|
| 경고 및 주의 사항(Warnings and Cautions) | KO-533 |
| 기기 정보(About Your Device)..... | KO-535 |
| 용도 및 적용 (Intended Use and Indications for Use) | KO-536 |
| 금기 사항(Contraindications) | KO-536 |
| 포장 내용물(Package Contents) | KO-537 |
| 기기 기능(Device Features) | KO-538 |
| 설치(Setup)..... | KO-543 |
| 연결(Connections)..... | KO-543 |
| 기본 비디오 설치(Basic Video Setup) | KO-545 |
| 작동(Operation) | KO-546 |
| OSD (On-Screen Display)..... | KO-546 |
| OSD 메뉴 (OSD Menus) | KO-548 |
| 문제 해결 (Troubleshooting)..... | KO-551 |
| 세척 및 유지보수(Cleaning and Maintenance) | KO-552 |
| 기술 규격(Technical Specifications)..... | KO-554 |
| 전자파 적합성(Electromagnetic Compatibility) | KO-556 |
| 기호 및 정의(Symbols and Definitions)..... | KO-560 |

경고 및 주의 사항(Warnings and Cautions)

이 설명서를 자세히 읽고 지침을 정확하게 따르십시오. 경고, 주의 및 참고는 중요한 내용을 전달하므로 내용을 신중하게 확인해야 합니다.

경고: 사용자와 환자의 심각한 부상을 방지하기 위한 조치를 나타냅니다.

주의: 장비의 손상 위험을 나타냅니다. 주의 사항을 따르지 않을 경우 제품이 손상될 수 있습니다.

참고: 지침에 대한 설명 또는 유용한 추가 정보를 위한 특별한 정보를 제공합니다.

경고(Warnings)

사용자와 환자의 심각한 부상을 방지하려면 다음 경고에 유의하십시오.

1. 본 기기를 사용하기 전에 설명서를 자세히 읽고 내용을 숙지하십시오.
2. 미연방법(미국)은 본 기기를 의사 지시 또는 주문이 있을 경우에만 판매하도록 제한합니다.
3. 기기의 포장을 주의해서 풀고 운송 과정에서 손상이 발생했는지 점검하십시오.
4. 본 기기는 비밀봉 상태이며 멸균 영역에 설치해서는 안 됩니다.
5. 전원 코드 위에 기기 본체 또는 기타 무거운 물체를 놓지 마십시오. 케이블이 손상되면 화재 또는 감전 사고가 발생할 수 있습니다.
6. 감전을 피하려면 베젤을 벗겨내지 마십시오.
7. 본 기기를 다른 기기 근처에서 사용하거나 다른 기기 위에 올려놓아서는 안 됩니다. 본 기기를 다른 기기와 인접하여 사용하거나 다른 기기 위에 얹어서 사용해야 할 경우에는 해당 기기가 사용할 구성 환경에서 정상적으로 작동하는지 관찰하고 확인하십시오.
8. 시술 전에 본 기기를 테스트하십시오. 본 기기는 운송 전에 공장에서 완전히 테스트되었습니다.
9. 본 설명서에 구체적으로 설명되지 않은 조정이나 내부 수리를 시도하지 마십시오. 재조정, 수정 및/또는 수리는 반드시 Stryker Endoscopy가 승인한 전문가에 의해서만 수행되어야 합니다.
10. 패널 안에 물체를 넣지 마십시오. 이러한 이물질이 들어간 경우 기기의 전원 코드를 뽑고 자격이 있는 기술자에게 점검을 받은 후에 작동하십시오.
11. 환자 주변에서 전원이 공급된 상태로 기기를 사용할 경우 액체와 접촉하지 않도록 적절한 주의를 기울이십시오.
12. 지정된 부속품 이외의 케이블 및/또는 다른 부속품을 본 기기와 함께 사용할 경우 기기의 전자파 방출량이 증가하거나 내성이 저하될 수 있습니다.

주의 사항(Cautions)

1. 병원용 전원 코드에 연결된 AC 어댑터에 기기를 연결하십시오. 이때 접지 신뢰성이 보장되도록 전원 코드를 접지된 전원 콘센트에 연결하십시오.
2. 정교한 전자 장치가 손상될 수 있으므로 기기를 멸균 처리하지 마십시오.
3. 디스플레이에는 외과 수술 전용 디스플레이 전원 공급 장치만 사용하십시오. DC 전원 코드와 확장 코드가 완전히 연결되도록 하십시오.
4. 차가운 곳에서 따뜻한 곳으로 이동한 직후에는 기기를 작동하지 마십시오.
5. 인터내셔널 전원 공급 장치에 연결하는 경우 본 설명서의 "Technical Specifications(기술 규격)" 절에 설명된 지침에 따라 해당 전원 콘센트에 적합한 어태치먼트 플러그를 사용합니다.

6. 오랫동안 기기를 사용하지 않을 경우 플러그를 뽑으십시오. 코드를 분리하려면 먼저 플러그의 나사를 풀 다음 플러그를 잡아 당겨서 뽑으십시오. 전선을 잡고 당기지 마십시오.
7. 습기가 있는 곳에 기기를 두거나 화면에 직접 세척 용액을 묻히지 마십시오. 부드러운 천에 세척 용액을 뿌리고 가볍게 닦으십시오. 자세한 내용은 본 설명서의 "세척 및 유지보수 (Cleaning and Maintenance)" 절을 참조하십시오.
8. 내부 발열을 방지할 수 있도록 적절한 환기 장치를 사용하십시오. 기기의 환기구를 막을 수 있는 깔개, 담요 위나 커튼, 장막 가까이에 기기를 설치하지 마십시오. 기기는 자연적인 통풍에 의해 냉각되며 팬이 설치되어 있지 않습니다.
9. 신호 입력 또는 출력 커넥터에 환자가 접촉하지 않도록 하십시오. SIP/SOP 커넥터가 장착된 장비는 IEC 60601-1 및/또는 IEC 60601-1-1 국가조화규격을 준수하거나 조합에 대한 안전성이 평가되어야 합니다.
10. 전자파 적합성을 확인하려면 본 설명서의 "전자파 적합성(Electromagnetic Compatibility)" 절을 참조하십시오. 본 설명서에 제공된 EMC 정보에 따라 VisionPro 26" LED 디스플레이 (0240-031-020) 및 VisionPro SYNK 26" 무선 LED 디스플레이(0240-031-000)를 설치하고 작동해야 합니다.
11. 본 설명서의 세척 지침을 자세히 확인하십시오. 지침을 준수하지 않을 경우 손상을 유발할 수 있습니다.
12. 햇빛, 과도한 먼지, 기계적 진동 또는 충격이 발생하는 주변에는 기기를 설치하지 마십시오.
13. 주전원으로부터 전원 코드를 분리하기 어려운 위치에 기기를 설치하지 마십시오.
14. 기기의 유리 재질 장치 화면이 아래쪽을 향한 상태에서 작동하지 마십시오.
15. 기기를 조심스럽게 다루십시오. 화면에 충격을 가하거나 흠집을 내지 마십시오.
16. 준수 책임이 있는 당사자의 명시적 승인 없이 본 기기를 변경하거나 수정하는 경우 사용자의 기기 작동 권한이 무효화될 수 있습니다.
17. **참고: 이 장치는 시험을 거쳐 FCC 규칙의 파트 15에 준거한 클래스 B 디지털 장치에 대한 제한사항을 준수하는 것으로 확인되었습니다. 이 제한사항은 가정용 설치 시 유해한 간섭 현상에 대한 적절한 보호를 제공하기 위해 만들어 졌습니다. 이 장치는 무선주파를 생성, 사용 및 방사할 수 있으며 지침에 따라 설치 및 사용하지 않는 경우에는 무선 통신을 간섭할 수 있습니다. 특정 설치 시 장치를 끄거나 켤 때 측정될 수 있는 간섭이 발생하지 않음을 보장하지 않습니다. 다음 중 하나 또는 그 이상의 방법을 사용하여 간섭을 해결할 것을 권장합니다.**
 - 수신 장치를 재설정하거나 재배치합니다.
 - 장치 사이의 거리를 늘립니다.
 - 다른 장치가 연결되지 않은 회로의 콘센트에 장치를 연결합니다.
 - 제조업체 또는 현장 서비스 기술자에게 문의합니다.

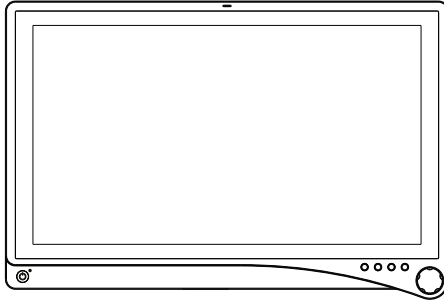
이러한 경고나 주의를 무시할 경우 보증이 무효화됩니다.

본 제품에는 전자 폐기물 및 전자 장비가 포함되어 있습니다. 본 제품은 절대로 미분류된 도시 폐기물로 폐기되어서는 안 되며 반드시 별도로 분리 수거해야 합니다.

기기 정보(About Your Device)

VisionPro 26" LED 디스플레이

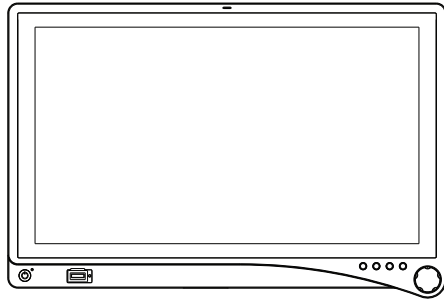
REF: 0240-031-020



VisionPro 26" LED 디스플레이는 최대 WUXGA(1920x1200)의 해상도를 지원하는 와이드 스크린 LED 수술용 디스플레이입니다. 이 디스플레이는 디지털 RGB, 아날로그 RGB, 직렬 디지털 인터페이스(SDI), 컴포넌트 비디오(YPbPr/RGBS), S-비디오 및 C-비디오/SOG 비디오 입력을 지원합니다. 또한 RS232 포트를 통한 직렬 통신도 지원합니다.

VisionPro SYNK 26" 무선 LED 디스플레이

REF: 0240-031-000



VisionPro SYNK 26" 무선 LED 디스플레이는 무선주파수 연결을 통해 고화질 비디오 신호를 수신할 수 있는 SYNK 트랜스미터(0240-031-010 또는 0240-031-011)를 선택 사양으로 함께 사용할 수 있습니다.

이 디스플레이는 DVI, S-비디오, C-비디오/SOG 비디오 입력을 지원합니다. 무선 기능이 활성화되면 이 디스플레이는 무선 디지털 RGB 비디오 입력을 지원합니다. 또한 USB 포트와 RS232 포트를 통한 직렬 통신도 지원합니다.

참고: VisionPro SYNK 26" 무선 LED 디스플레이의 무선 기능은 SYNK 트랜스미터를 통해서만 사용할 수 있습니다.

SYNK 무선 트랜스미터 및 VisionPro SYNK 26" 무선 LED 디스플레이의 무선 기능 사용에 관한 자세한 내용과 지침은 SYNK 무선 시스템 설명서(P21693)를 참조하십시오.

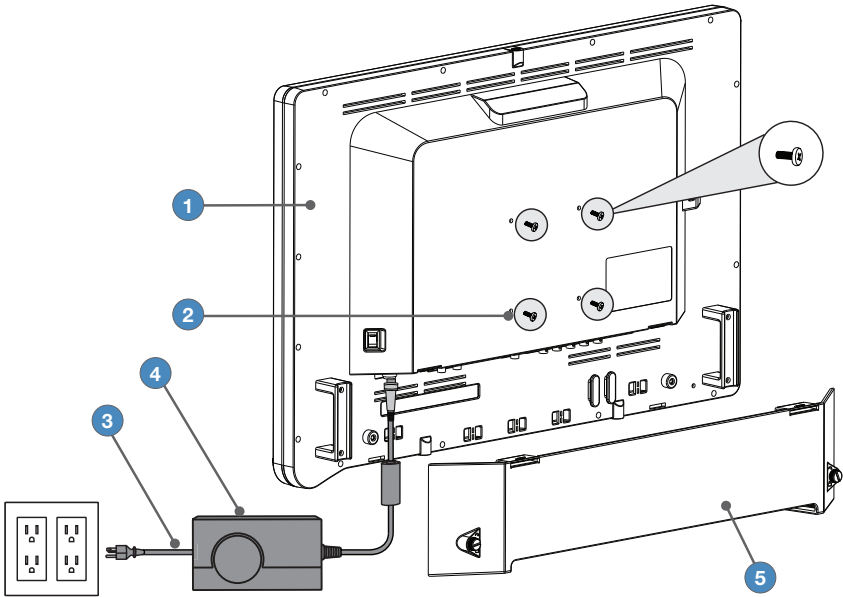
용도 및 적용 (Intended Use and Indications for Use)

VisionPro SYNK 26" 무선 LED 디스플레이 및 VisionPro 26" LED 디스플레이는 관절경 수술 (정형외과 수술), 복강경 수술 (일반 및 부인과 수술), 흉강경 수술, 내시경 수술 (일반, 소화기과 및 이비인후과 수술), 일반 수술 등의 수술을 실시하는 동안 영상을 표시하는 데 사용됩니다. 본 디스플레이는 비멸균 상태의 재사용 가능한 기기이며 멸균 영역에서는 사용할 수 없습니다. 이 디스플레이는 해당 시술에 대한 완벽한 지식을 갖춘 자격이 있는 의사가 사용하도록 제작되었습니다.

금기 사항(Contraindications)

본 기기와 관련해 알려진 금기사항이 없습니다.

포장 내용물(Package Contents)



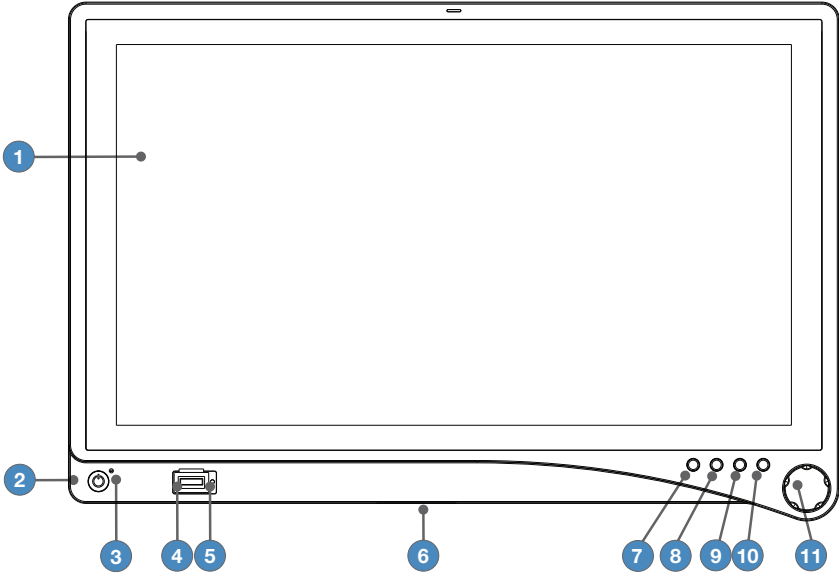
| 참조 | 부품 번호 | 포장 내용물(Package Contents) |
|----|------------------------------|---|
| 1 | 0240-031-020 0240-031-000 | VisionPro 26" LED 디스플레이 또는 VisionPro SYNK 26" 무선 LED 디스플레이 |
| 2 | | (4) M4 × 16mm VESA 나사 |
| 3 | | 병원 등급 AC 전원 코드 |
| 4 | 0240-031-004 | 의료용 전원 공급 장치 |
| 5 | | 케이블 덮개 |

| 부품 번호 | 옵션 부속품 |
|--------------|------------------------|
| 0240-031-002 | VisionPro 26" 디스플레이 커버 |
| 0240-031-004 | 의료용 전원 공급 장치 |
| 0240-031-010 | SYNK 무선 트랜스미터 |
| 0240-030-951 | 4.5m(5 핀) DC 확장 케이블 |
| 0240-030-952 | 23m(5 핀) DC 확장 케이블 |

기기 기능(Device Features)

전면 패널

전면 패널에 있는 회전 컨트롤 을 사용해 디스플레이를 작동합니다. 디스플레이 컨트롤 및 기능 목록이 아래에 제공됩니다.



- | | |
|--|---|
| 1. 디스플레이 화면 | 비디오 영상을 표시합니다. |
| 2. 전원 스위치(소프트) | 디스플레이의 전원을 켜거나 끕니다. |
| 3. 전원 LED | 현재 상태를 나타냅니다. 녹색 - 디스플레이의 전원이 켜져 있거나 화면 보호 모드 상태 깜박이는 빨간색 - 절전 모드 상태 깜박이는 황갈색 - 과전압 또는 부족전압 상태 |
| 4. 토큰 슬롯(VisionPro SYNK 26" 무선 LED 디스플레이만 해당) | 트랜스미터와 무선으로 연결하기 위해 사용되는 토큰 삽입부입니다. |
| 5. 토큰 LED(VisionPro SYNK 26" 무선 LED 디스플레이만 해당) | 녹색 - 링크 설정됨 황갈색 - 초기화 중 깜박이는 황갈색 - 오류, 서비스 담당자에게 문의하십시오. |
| 6. 보조 연결 | 보조 기기 연결을 지원합니다. |

7. 오디오/PIP

VisionPro 26" LED 디스플레이:

PIP(Picture In Picture) 조정 메뉴에 액세스합니다.

VisionPro SYNK 26" 무선 LED 디스플레이:

두 번 눌러 PIP(Picture In Picture) 조정 메뉴에 액세스합니다.

참고: 현재 오디오 기능은 활성화되어 있지 않습니다.

8. 밝기

밝기 조정 메뉴에 액세스합니다.

9. 전문

전문 조정 메뉴에 액세스합니다.

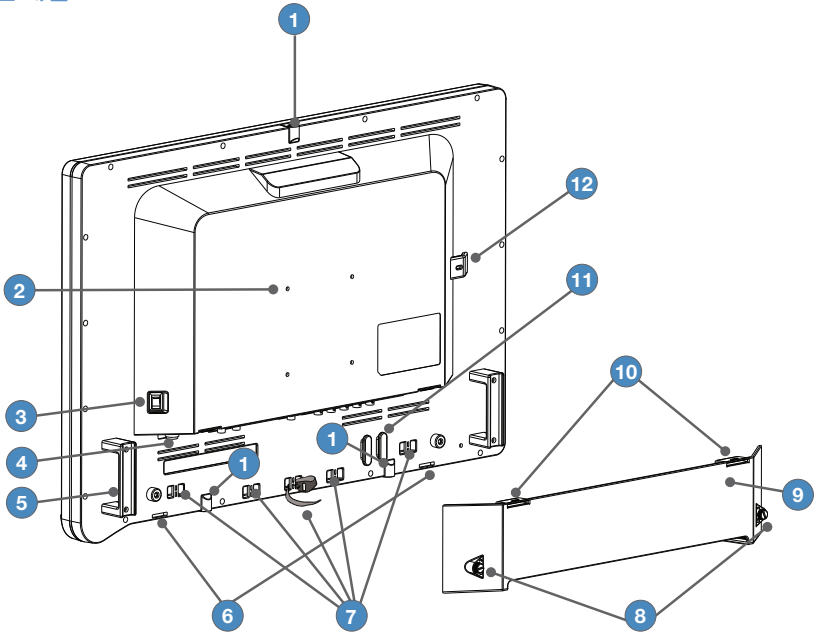
10. 입력

입력 선택 메뉴에 액세스합니다.

11. 회전 컨트롤

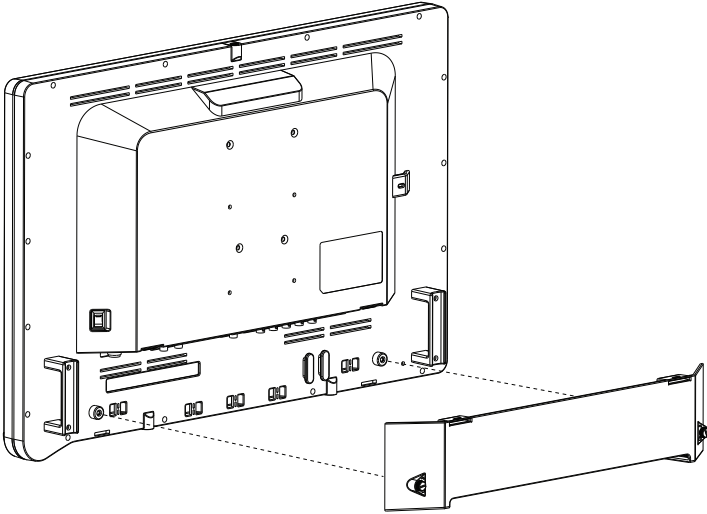
OSD에 액세스하고 기능을 탐색합니다.

후면 패널



- | | |
|--|--|
| <p>1. 부속품 마운트(3)</p> <p>2. VESA 마운팅 홀</p> <p>3. 전원 스위치(하드)</p> <p>4. 전원 커넥터</p> <p>5. 핸들</p> <p>6. 케이블 덮개 힌지</p> <p>7. 벨크로 스트랩</p> <p>8. 케이블 덮개 나사</p> <p>9. 케이블 덮개</p> <p>10. 케이블 덮개 클립</p> <p>11. 케이블 랩</p> <p>12. 잠금 기능</p> | <p>옵션 부속품 마운트를 위한 액세스 포인트를 제공합니다.</p> <p>디스플레이 마운트를 위한 액세스 포인트를 제공합니다.</p> <p>입력 DC 전원을 켜거나 끕니다.</p> <p>24V DC 전원 공급 장치를 연결합니다.</p> <p>디스플레이의 위치 선정을 도와주는 보조 장치입니다.</p> <p>주의: 핸들은 디스플레이의 전체 무게를 지탱하도록 고안되지 않았습니다.</p> <p>케이블 덮개 하단을 디스플레이에 연결합니다.</p> <p>케이블 관리에 도움이 되는 스트랩입니다.</p> <p>케이블 덮개를 디스플레이에 연결하고 손가락을 사용해 조이거나 풀니다.</p> <p>케이블을 덮 은폐합니다.</p> <p>케이블 덮개의 위쪽을 디스플레이에 연결합니다.</p> <p>케이블 감기 위치를 제공합니다.</p> <p>여기를 경유하여 잠금 장치 또는 케이블을 고정할 수 있습니다.</p> |
|--|--|

케이블 덮개



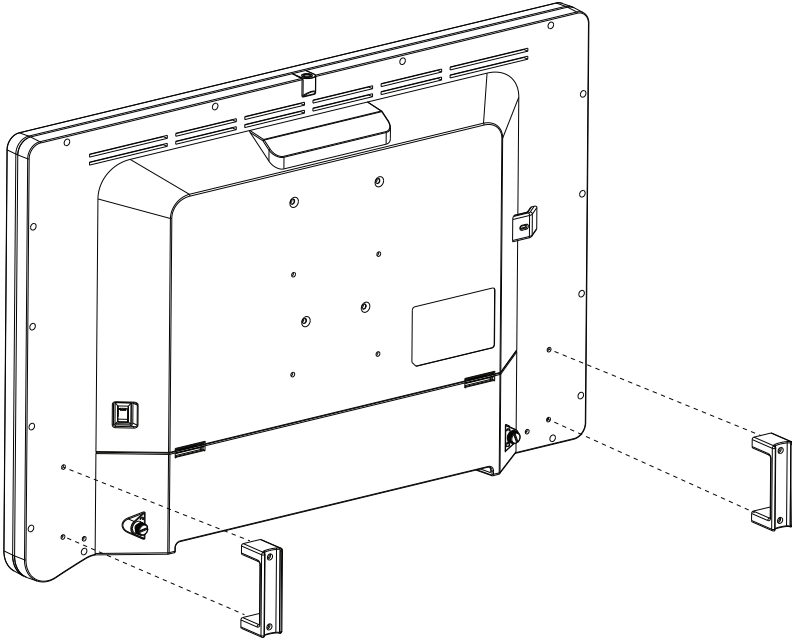
케이블 덮개 설치

1. 케이블 덮개의 왼쪽 및 오른쪽 힌지를 디스플레이의 후면 아래쪽에 정렬합니다.
2. 케이블 덮개의 위쪽을 정렬 클립에 맞추어 끼웁니다.
3. 손가락으로 나사를 시계 방향으로 돌려 조이고 케이블 덮개를 디스플레이에 고정합니다.

케이블 덮개 제거

1. 손가락으로 나사를 시계 반대 방향으로 돌려 풉니다.
2. 나사가 완전히 풀리면 왼쪽 클립과 오른쪽 클립을 누르고 케이블 덮개를 자신의 몸쪽으로 당깁니다.
3. 케이블 덮개를 왼쪽 힌지와 오른쪽 힌지에서 분리합니다.

디스플레이 핸들



주의: 핸들은 디스플레이 운반용으로 제작되지 않았습니다. 디스플레이의 위치를 선정하는데 도움을 주기 위해 제작되었습니다. 핸들은 디스플레이의 전체 무게를 지탱할 수 없습니다.

디스플레이 핸들 제거

1. 3mm 육각 렌치를 사용해 2개의 M4 x 30mm 나사를 풀고 핸들을 디스플레이에서 부드럽게 당겨 빼냅니다.

디스플레이 핸들 설치

1. 핸들을 디스플레이 후면에 있는 나사 구멍에 맞춥니다.
2. 3mm 육각 렌치를 사용하여 2개의 M4 x 30mm 나사를 조여 핸들을 설치합니다.

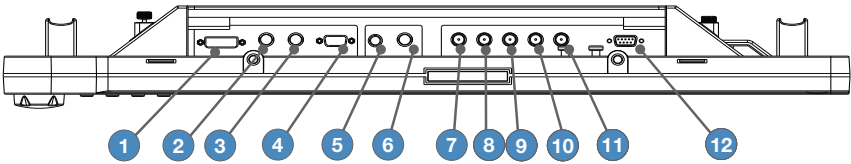
설치(Setup)

Stryker Endoscopy는 교육 또는 연수 교육을 본 기기의 필수 요소로 간주합니다. 현지 Stryker Endoscopy 판매 대리점은 고객의 기기 설정을 지원하고 고객 및 고객사 직원들에게 작동 및 유지보수 방법을 교육하기 위해 고객이 편한 시간에 최소 1회의 연수 교육을 실시합니다. 연수 교육 일정은 기기가 도착한 후 현지 Stryker Endoscopy 대리점에 문의해 주십시오.

연결(Connections)

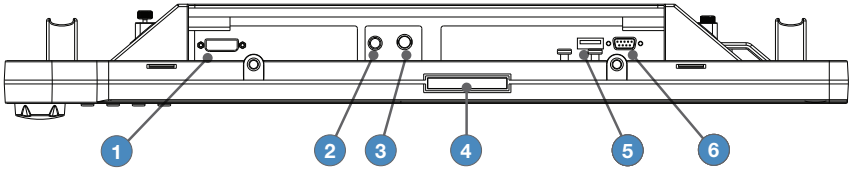
VisionPro 26" LED 디스플레이 연결 포트

비디오 입력 및 출력 신호는 아래와 같이 디스플레이의 후면을 통해 연결됩니다.



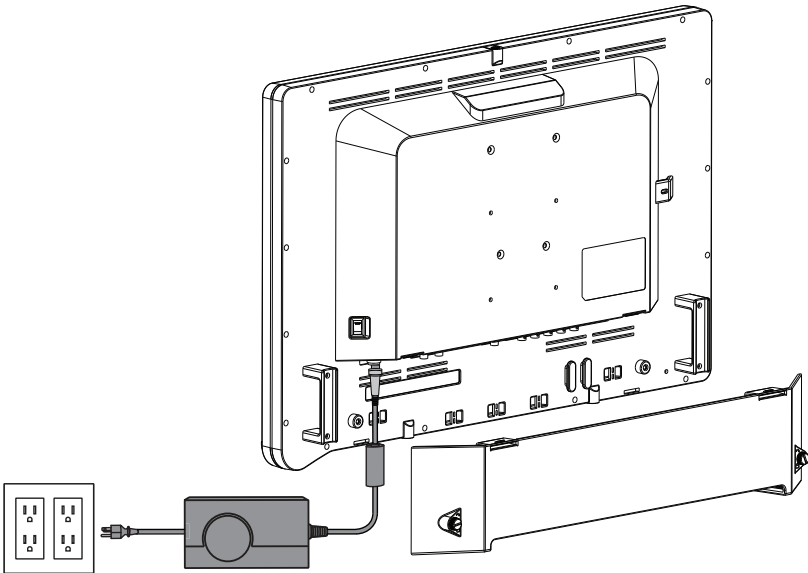
- | | |
|------------------------|------------|
| 1. DVI | 7. R/Pr |
| 2. 3G/HD/SD SDI-in | 8. G/Y |
| 3. 3G/HD/SD SDI-out | 9. B/Pb |
| 4. VGA | 10. H-sync |
| 5. S-비디오 | 11. V-sync |
| 6. C-비디오/SOG | 12. RS232 |

VisionPro SYNK 26" 무선 LED 디스플레이 연결 포트



- | | |
|--------------|-----------|
| 1. DVI | 4. 보조 커넥터 |
| 2. S-비디오 | 5. USB |
| 3. C-비디오/SOG | 6. RS232 |

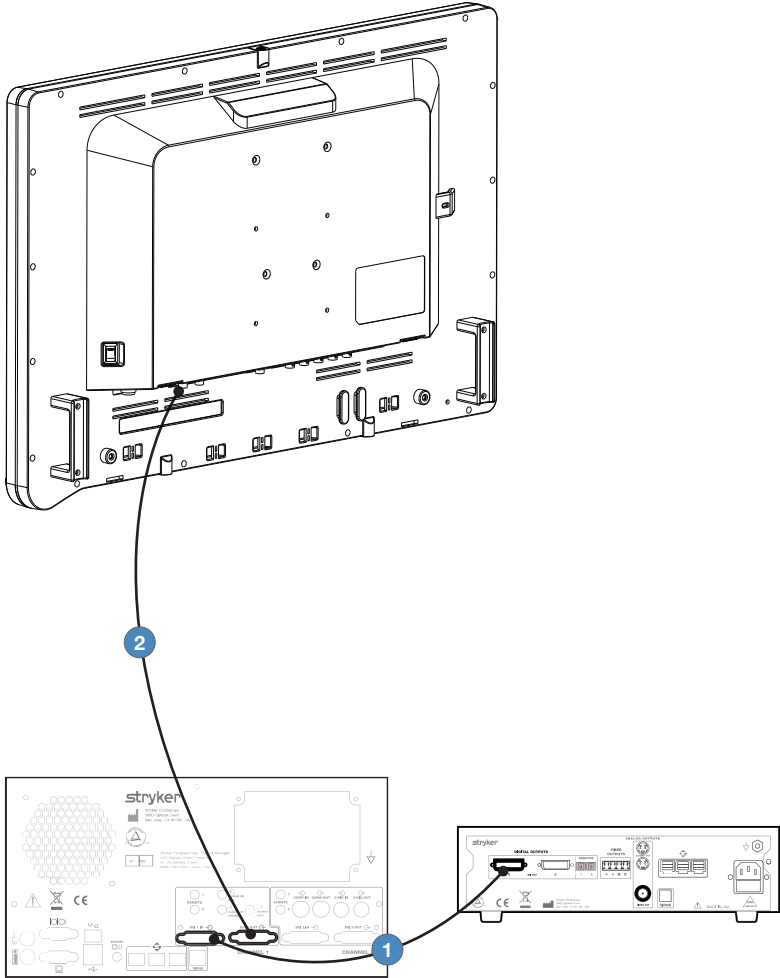
전원 공급 장치 연결



1. 디스플레이의 24V 입력 단자에 전원 공급 장치를 연결합니다.
2. 전원 공급 장치*에 AC 전원 코드를 연결합니다.
3. 제공된 병원 등급 전원 코드를 사용해 AC 전원을 연결합니다.
4. (선택 사양, 그림에 표시되지 않음) 전원 공급 장치와 디스플레이 사이에 확장 코드를 연결합니다.
5. 케이블 덮개를 설치합니다.

* 전력 공급 정보; 모델 번호: BPM150S24F11, 제조사: Bridgepower Corp.

기본 비디오 설치(Basic Video Setup)



1. 비디오 출력 1을 카메라에서 SDC DVI 입력 단자로 연결합니다.
2. 비디오 출력 1을 SDC DVI 출력 단자에서 디스플레이의 DVI 입력 단자로 연결합니다.

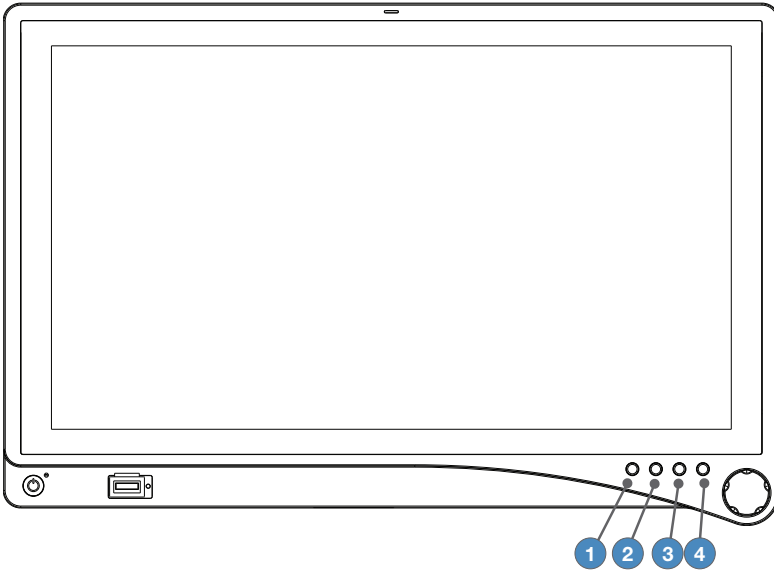
참고: Stryker는 카메라와의 백업 연결을 권장합니다.

작동(Operation)

전면 패널에 있는 회전 컨트롤과 4개의 버튼을 사용해 디스플레이를 작동합니다. 디스플레이 컨트롤 및 기능 목록이 아래에 제공됩니다.

OSD (On-Screen Display)

OSD 액세스



4개의 전면 패널 버튼 사용:

1. **오디오/PIP(VisionPro SYNK 26" 무선 LED 디스플레이):**
 - 두 번 눌러 Picture(사진) 모드(Picture in Picture, Picture by Picture, Picture on Picture)를 활성화합니다.
2. **PIP(VisionPro 26" LED 디스플레이):**
 - 한 번 눌러 Picture(사진) 모드(Picture in Picture, Picture by Picture, Picture on Picture)를 활성화합니다.
3. **밝기:** 밝기 조정 메뉴를 활성화합니다.
4. **전문:** 전문 조정 메뉴를 활성화합니다.
5. **입력:** 입력 선택 메뉴를 활성화합니다.

회전 컨트롤을 사용해 활성화된 화면 메뉴를 탐색합니다.

- **누름** — OSD 메뉴에 액세스하거나 선택합니다.
- **오른쪽/왼쪽 회전** — OSD 메뉴가 활성화된 상태에서 돌리면 선택한 매개변수의 값이 증가하거나 감소합니다.
- **길게 누름** — OSD 메뉴를 종료합니다.

OSD 작동

기기 OSD를 통해 다양한 기기 메뉴를 탐색할 수 있습니다.

1. OSD 메뉴를 활성화하려면 **회전 컨트롤**을 누릅니다.
2. 메뉴를 통해 위로 또는 아래로 이동하려면 **회전 컨트롤**을 돌립니다. 선택된 매개변수가 강조 표시됩니다.
3. 다음 수준의 OSD로 이동하려면 **회전 컨트롤**을 누릅니다.
4. 선택한 매개변수의 값을 증가 또는 감소시키거나 다른 옵션을 선택하려면 **회전 컨트롤**을 돌립니다.
5. 두 번째 또는 세 번째 수준 OSD 메뉴에서 OSD 메뉴 화면을 종료하려면 Exit(종료) 옵션을 선택합니다. OSD를 완전히 종료하려면 **회전 컨트롤**을 길게 누릅니다. 아무 키도 누르지 않으면 공장에서 사전 설정된 시간이 경과한 후 OSD가 자동으로 종료됩니다(이 시간은 사용자가 설정할 수 있음).

OSD 메뉴 (OSD Menus)

Specialty(전문)

| 메뉴 항목 | 설명 | 범위 |
|-------------------------------------|---|--------------------------|
| Color Temperature (색 온도)* | Lap A, Lap B, Arthro A, Arthro B, 표준, PACS, NORM, ENT, GYN에 대한 색 온도를 선택합니다. | |
| Red(빨간색) | 레드 밸런스 | -128 - 127 |
| Green(녹색) | 그린 밸런스 | -128 - 127 |
| Blue(청색) | 블루 밸런스 | -128 - 127 |
| Gamma(감마) | 감마 값 | 0.1 - 2.5, S0, S1, S2 |

* 색 온도 RGB 조정은 Standard(표준), Arth 및 Lap 설정에 대해서만 사용 가능합니다. PACS 및 Norm 조정은 SOG 입력에서만 사용 가능합니다.

오디오(현재 메뉴가 활성화되어 있지 않음)

Brightness Settings(밝기 설정)

| 메뉴 항목 | 설명 | 범위 |
|---------------------------------------|---------------------|---------|
| Brightness(밝기) | 밝기를 높이거나 낮춥니다. | 0 - 100 |
| Contrast(명암 대비) | 명암 대비를 높이거나 낮춥니다. | 0 - 100 |
| Phase(위상)** | 위상 수준을 높이거나 낮춥니다. | 0 - 100 |
| Chroma(색 농도)** | 색 농도 수준을 높이거나 낮춥니다. | 0 - 100 |
| Image Sharpness (이미지 선명도) | 이미지 선명도를 설정합니다. | 1 - 10 |
| Video Sharpness (비디오 선명도)** | 비디오 선명도를 높이거나 낮춥니다. | 0 - 100 |

** SDI, S 비디오 또는 C 비디오 입력에서만 사용 가능합니다.

Image Effect(이미지 효과)

| 메뉴 항목 | 설명 |
|--------------------------------|--|
| Scale Mode (배율 모드) | 전체 크기, 세로 크기, 가로 크기, (1:1) 또는 화면 비율 사이에서 배율 모드를 선택합니다. |
| Freeze Frame (정지 화면) | 정지 화면을 활성화하거나 비활성화합니다. |
| PIP | PIP(Picture In Picture) 기능을 활성화합니다. |
| POP | POP(Picture On Picture) 기능을 활성화합니다. |
| PBP | PBP(Picture By Picture) 기능을 활성화합니다. |

Advanced Settings(고급 설정)

| 메뉴 항목 | 설명 | |
|--|---|---|
| Key Lock(키 잠금) | 키 잠금 설정: 모든 키 기능을 비활성화합니다. 키 잠금을 해제하려면 회전 손잡이를 길게 누릅니다. | |
| Auto Source Select (자동 소스 선택) | 활성 비디오 소스가 감지될 때까지 입력을 스캔합니다. 자동 소스 선택은 PIP/POP/PBP 모드 동안 비활성화됩니다. | |
| Sleep Timer(절전 타이머) | On(켜기): 활성 비디오 소스가 감지되지 않을 경우 디스플레이가 절전 모드로 전환됩니다. | |
| | Off(끄기): 디스플레이가 절전 모드로 전환되지 않습니다. | |
| | Timer(타이머): 감지된 활성 비디오 소스가 없는 경우 화면이 절전 모드로 들어가는 시간을 설정합니다. | |
| OSD Control(OSD 컨트롤) | OSD(On-Screen Display) 메뉴 위치, 배경 및 시간 초과를 제어합니다. | |
| Restore Factory Settings (공장 설정 복원) | 공장 기본값으로 설정합니다. | |
| Screen Control (화면 컨트롤) | VGA | <ul style="list-style-type: none"> • 수평 • 수직 • 위상 • 주파수 |
| | S-비디오, C-비디오, SOG, RGB, 컴포넌트 | <ul style="list-style-type: none"> • 수평 • 수직 |

SYNK(VisionPro SYNK 26" 무선 LED 디스플레이용):

| 상태 | 설명 |
|--|-------|
| RX APP: XX.XX.XX RX MAC: XX.XX.XX.XX | 리시버 |
| TX APP: XX.XX.XX TX MAC: XX.XX.XX.XX | 트랜스미터 |
| WiFi SW: XXX-X.XX 신호 = 우수, 양호, 불량 기본 부위: XXX FREQ: XXXX MHz | 트랜스미터 |

Information(정보)

| 메뉴 항목 | 설명 |
|---------------------------------------|-------------------------------------|
| User Name Entry (사용자 이름 항목) | 부팅 디스플레이에 표시할 사용자 정의 사용자 이름을 입력합니다. |
| Serial Number (일련 번호) | 모니터 일련 번호를 표시합니다. |
| Runtime(실행시간) | 기기의 현재 총 실행시간을 표시합니다. |
| Input Format(입력 형식) | 현재 입력 형식을 표시합니다. |

참고: 실제 OSD 값은 업데이트된 버전의 펌웨어 및 사용자 설정에 따라 다를 수 있습니다.

문제 해결 (Troubleshooting)

서비스를 받기 위해 디스플레이를 반송하기 전에 다음 문제 해결 목록을 살펴보십시오.

| 문제점 | 현재 상태 | 해결 방법 |
|---|--|---|
| 사진이 표시되지 않음 | 전원 LED 켜짐 | OSD 메뉴를 사용해 밝기와 명암 대비를 최대한으로 조정하거나 기본 설정으로 재설정합니다. |
| | 전원 LED 꺼짐 | 디스플레이 전면과 후면의 전원 스위치가 ON으로 설정되어 있는지 확인합니다. |
| | | AC 전원 코드가 AC 어댑터 및 콘센트에 올바르게 연결되어 있는지 확인합니다. |
| | 전원 LED 깜박임 | 전원 공급 장치가 완벽하게 연결되어 있고 올바르게 작동하는지 확인합니다. |
| <p>빨간색 디스플레이가 절전 모드입니다. 절전 모드에서 나오려면 아무 키나 누르십시오.</p> <p>황갈색 전원 공급 장치가 과전압 또는 부족전압일 수 있습니다.</p> | | |
| 비정상적인 사진 | 너무 크거나 너무 작은 이미지 크기, 비디오 누락, 중심이 맞지 않음 | 디스플레이 이미지를 보정하려면 화면 컨트롤 메뉴를 사용해 위상, 주파수, 수평 및 수직 설정을 조정합니다. |
| | | 배율 모드에서 설정을 조정합니다. |
| | | VGA 입력 전용: 회전 컨트롤을 1 - 2초 동안 눌러 비디오 피드를 다시 동기화합니다. |
| | | 비디오 신호의 초기 동기화가 진행되거나 디스플레이에 전원이 공급될 때까지 몇 초간 기다립니다. |
| OSD 오류 메시지 | "Out of Range" (범위 초과) | 실행 가능한 비디오 소스가 연결되어 있는지 확인합니다. |
| 토른 LED가 황갈색으로 깜박임 | 오류 | 서비스 담당자에게 문의하십시오. |

세척 및 유지보수(Cleaning and Maintenance)



경고

감전 및 치명적인 부상을 방지하려면 세척하기 전에 전기 콘센트에서 디스플레이 및 전원 공급 장치를 분리하십시오.

주의

- 세척액을 디스플레이 또는 전원 공급 장치에 직접 분무하지 마십시오. 제품이 손상될 수 있습니다. 천에 분무한 후 기기를 닦으십시오.
- 디스플레이 또는 전원 공급 장치를 액체에 담그지 마십시오. 제품이 파손될 수 있습니다.
- 부식성 세척액으로 디스플레이 또는 전원 공급 장치를 세척하지 마십시오. 제품이 손상될 수 있습니다.
- 디스플레이 또는 전원 공급 장치를 멸균하지 마십시오. 제품이 파손될 수 있습니다.

세척(Cleaning)

디스플레이 또는 전원 공급 장치 세척:

1. 디스플레이 커버가 장착되어 있는 경우 세척하기 전에 커버를 제거하십시오.
2. **VisionPro SYNK 26" 무선 LED 디스플레이:** 세척하기 전에 토큰 슬롯에 커버를 덮으십시오.
3. 표준 소독액 또는 중성 세제를 멸균된 마른 천에 도포하십시오.
4. 디스플레이 또는 전원 공급 장치를 닦으십시오.
5. 디스플레이 화면을 닦을 때는 특히 주의하십시오. 액체가 넘치거나 화면 하단이나 전원 공급 장치 콘센트에 액체 방울이 유입될 경우 제품이 손상될 수 있습니다.

검사(Inspection)

사용 전에는 항상 제품을 검사하십시오. 다음 중 어느 하나라도 해당되는 경우 이 문서의 문제 해결 절을 참조하십시오. 제품 성능이 계속 불완전한 경우, 사용을 중단하고 Stryker 대리점으로 문의하십시오.

- 사진이 표시되지 않음, 비정상적인 사진 또는 수용할 수 없는 이미지 품질
- 전원이 켜지지 않음
- 버튼 및/또는 손잡이 기능이 부적절하거나 반응하지 않음
- 수용할 수 없는 화면 선명도, 코팅 손상, 부식, 이상 소음, 케이블 찢김, 배선 노출 및/또는 인터페이스의 확실한 장착을 방해하는 손상을 포함한 디스플레이 또는 부속품의 심각한 물리적 손상
- 전원 LED가 황갈색으로 깜박임

예상 수명(Expected Service Life)

기기 및 기기 부속품의 서비스 수명 종료는 대체로 마모와 세척 방법, 사용으로 인한 모든 손상에 좌우됩니다. 기기의 서비스 시간을 늘리기 위해 항상 본 사용 설명서 및 기기 부속품 사용 설명서의 관리 및 취급 절차를 따르십시오.

폐기(Disposal)



개정된 전기 및 전자 장비 폐기(WEEE)에 관한 유럽 공동체 지침 2012/19/EU에 따라, 본 제품 및 부속품은 재활용을 위해 별도로 수거해야 합니다. 미분류된 생활 폐기물과 함께 폐기하지 마십시오. 폐기에 관한 정보는 현지 유통업체에 문의하십시오. 감염된 장비는 재활용 전에 본 사용 지침 및 기기 부속품 사용 지침의 세척 절차에 따라 세척하십시오.

시스템 부속품은 잠재적 오염 품목에 대한 해당 기관의 통상적 관행에 따라 폐기하십시오.

이상 사례 보고(Adverse Event Reporting)

본 기기와 관련하여 발생한 모든 심각한 사고는 Stryker에 알려야 하고 유럽 연합의 경우 피해를 입은 사람이 거주하는 회원국의 관할 기관에 알려야 합니다.

기술 규격(Technical Specifications)

디스플레이(Display)

| | |
|--|--|
| LCD 디스플레이 패널 | 26"(661mm) 대각선 (a-Si TFT 활성 매트릭스 LCD) |
| 동기화 | 2.5 – 5.0 Vpp separated sync |
| 픽셀 피치 | 0.300 (H) x 0.300 (V)mm |
| 응답 시간 | < 18ms Typ |
| 시야각 | 오른쪽/왼쪽/위쪽/아래쪽 89도 |
| 디스플레이 색상 | 10억 색상(10비트) |
| 기본 해상도 | 1920 (H) dots x 1080 (V) lines |
| VisionPro 26" LED 디스플레이 신호 | DVI, VGA, 3G/HD/SD-SDI(입력/출력), C-비디오/SOG, S-비디오, 컴포넌트/RGB(Y/G, Pb/B, Pr/R, HS, VS), RS232 |
| VisionPro SYNK 26" 무선 LED 디스플레이 신호 | 무선 디지털 RGB, DVI, S-비디오, C-비디오/SOG, RS232 및 USB |
| 최대 픽셀 클럭 | 165MHz |

전기(Electrical)

| | |
|-------------|---|
| 전원 어댑터 | 입력: 100 – 240VAC, 50 – 60Hz, 2.5A(2.5A - 1.5A) 출력: 24V DC, 6.25A(최대 150W) 모델 번호: BPM150S24F11 |
| 전력 소비량(근사치) | 35 – 65 Watt |

정격 전류/전압(Current/Voltage Rating)

사용하는 전원 코드가 해당 지역의 규격과 표준에 맞는지 확인하십시오.

| | |
|------------------------|--|
| 110V +/- 10V 전원 콘센트 | UL Listed 및 C.S.A Certified, SJT 또는 SVT형, 3 - 컨덕터, 18AWG, 정격 전압110V +/- 10V, 15A의 병원 등급 플러그 캡에 단자가 몰딩된 1.8m 이상의 전원 공급 장치 코드를 선택하십시오. |
| 220V +/- 20V 전원 콘센트 | PVC 절연 재킷이 있고 "<HAR>"이 표시된 국제 규격의 3 - 컨덕터, 최소 0.75mm ² 전선, 정격 전압 220V +/- 20V, 10A의 전원 공급 장치 코드를 선택하십시오. 정격 전압 220V +/-20V, 10A의 몰딩된 플러그 캡이 있어야 합니다. 코드와 플러그 캡은 의료용으로 인증된 제품이어야 합니다. |

치수(Dimensions)

| | |
|-------------------|----------------------|
| 규격(W x H x D) | 660.4 x 442 x 86.4mm |
| 무게(근사치) | 8.3 kg |
| VESA 마운팅 인터페이스 | VESA 100 x 100mm |

작동 조건(Operating Conditions)

| | |
|----------|-----------|
| 온도 범위 | 10 – 40°C |
| 상대 습도 범위 | 25 – 75% |

수송 및 보관 조건(Transport and Storage Conditions)

| | |
|----------|------------|
| 온도 범위 | -18 – 60°C |
| 상대 습도 범위 | 15% – 90% |

분류 및 승인(Classification and Approvals)

클래스 1 장비

의료 장비는 감전, 화재 및 기계적 위험과 관련하여 UL 60601-1 및 CAN/CSA C22.2 No. 601.1만 따릅니다.

IP23: 손가락 또는 유사한 물체가 위험한 부품에 접근하지 못하도록 보호, 물 분무로 인한 침수로부터 보호(수직에서 60° 미만)

연속 작동

준수 (Compliance)

FCC 규정

VisionPro 26" LED 디스플레이:

FCC 파트 15 클래스 B

FCC ID: QVXAMM261WTDS

VisionPro SYNK 26" 무선 LED 디스플레이:

FCC 파트 15 클래스 B

FCC ID: QVXAMM261WTDSW

FCC 파트 15 클래스 C

FCC ID: SSH-SYNKRX(리시버 보드)

FCC ID: SSH-SDMAN(부속품 보드)

IC 규정

VisionPro SYNK 26" 무선 LED 디스플레이:

IC: 4919C-SYNKRX(리시버 보드)

IC: 4919C-SDMAN(부속품 보드)

참고: 변경 사항 및 신제품에 대한 정보는 현지 Stryker Endoscopy 판매 대리점에 문의하십시오.

전자파 적합성(Electromagnetic Compatibility)

기타 전기 의료 장비와 마찬가지로 VisionPro 26" LED 디스플레이와 VisionPro SYNK 26" 무선 LED 디스플레이 또한 다른 전기 의료 장비와의 전자파 적합성(EMC)을 확보하기 위해 각별한 주의를 기울여야 합니다. 전자파 적합성을 확보하기 위하여 반드시 본 설명서와 함께 제공되는 EMC 정보에 따라 디스플레이를 설치 및 작동해야 합니다. 디스플레이는 다른 기기와의 EMC에 대한 IEC 60601-1-2 요건을 준수하도록 고안되고 테스트되었습니다.

참고: 이 장비는 전문 의료 환경에서 사용해야 합니다. 전자파(EM) 방해 강도가 높은, 자기공명영상용 의료 전기 시스템의 무선 주파수(RF) 차폐실에서 사용하지 마십시오.

참고: 이 장비는 활성 고주파(HF) 수술 기기와 인접한 특수 환경에서 HF 수술 기기에 의한 간섭에 민감한 반응을 보일 가능성이 낮습니다. HF 시술과 관련된 간섭이 관찰되면 장비 간의 이격 거리를 조정하십시오.



경고

이 기기를 다른 전기 장비와 함께 연결하는 경우 총 누설 전류가 누적될 수 있습니다. 환자에게 누출되는 총 누설 전류를 줄이려면, 모든 시스템이 IEC 60601-1-1의 요건에 따라 설치되어야 합니다.

주의

휴대용 및 무선 RF 통신 장비는 디스플레이의 정상적인 기능에 영향을 미칠 수 있습니다. 전자파 방출을 증가시키거나 그러한 방출에 대한 내성을 약화시킬 수 있으므로 디스플레이와 함께 제공되는 것 이외의 케이블이나 부품은 절대로 사용하지 마십시오. 디스플레이를 다른 장비 근처에서 사용하거나 다른 장비 위에 얹어놓을 경우 수술에 앞서 장비가 사용될 구성에서 디스플레이가 정상적으로 작동하는지 관찰하고 확인하십시오. 디스플레이는 아래 표에 있는 지침에 따라 설치하십시오.

지침 및 제조자 선언: 전자파 방출

VisionPro 26" LED 디스플레이 및 VisionPro SYNK 26" 무선 LED 디스플레이는 아래와 같은 전자파 환경에서 사용되도록 만들어졌습니다. 디스플레이 고객이나 사용자는 해당 환경에서 본 제품을 사용해야 합니다.

| 방출 시험 | 준수 | 전자파 환경 - 지침 |
|---------------------------|-------|--|
| RF 방출 CISPR 11 | 그룹 1 | 디스플레이는 내부 기능에만 RF 에너지를 이용하므로 RF 방출이 매우 낮고 근처의 전자 장비에 간섭을 유발할 가능성도 거의 없습니다. |
| RF 방출 CISPR 11 | 클래스 B | 다음 경고에 주의하는 경우 디스플레이는 실내 사용 용도로 건물에 제공되는 공용 저압 전력 공급망과 직접 연결되는 내부 시설 이외의 모든 시설에도 사용하기에 적합합니다. |
| 고조파 방출 IEC 61000-3-2 | 클래스 D | |
| 전압 교란/ 빛 방출 IEC 61000-3-3 | 준수 | 경고: 이 시스템은 의료 전문가 전용으로 제작되었습니다. 이 시스템은 무선 간섭을 일으킬 수 있으며 주변 장비의 작동을 중단시킬 수 있습니다. 시스템의 방향을 바꾸거나 위치를 재조정하거나 해당 위치를 차폐하는 등의 완화 조치가 필요할 수 있습니다. |

안내 및 제조자 공지 - 전자파 내성

VisionPro 26" LED 디스플레이 및 VisionPro SYNK 26 " 무선 LED 디스플레이는 아래와 같은 전자파 환경에서 사용되도록 만들어졌습니다. 고객 또는 디스플레이 사용자는 해당 환경에서 본 제품을 사용해야 합니다.


| 내성 테스트 | IEC 60601 테스트 수준 | 준수 수준 | 전자파 환경-- 지침 |
|---|---|---|---|
| 정전기 방전(ESD) IEC 61000-4-2 | ±8kV 접촉 ±15kV 공기 | ±8kV 접촉 ±15kV 공기 | 바닥은 나무, 콘크리트 또는 세라믹 타일이어야 합니다. 바닥이 합성 물질로 덮여 있는 경우 상대 습도는 최소 30% 되어야 합니다. |
| 전기적 급속 과도/ 버스트 IEC 61000-4-4 | 전력 공급선의 경우 ±2kV 입출력 전선의 경우 ±1kV (해당되는 경우) | 전선 대 지면 ±2kV 전선 대 전선 ±1kV (해당되는 경우) | 주전원 전력 품질은 통상적인 상용 또는 병원 환경 수준의 품질이어야 합니다. |
| 서지 IEC 61000-4-5 | ±1kV 차동 모드 ±2kV 공통 모드 | ±1kV 차동 모드 ±2kV 공통 모드 | 주전원 전력 품질은 통상적인 상용 또는 병원 환경 수준의 품질이어야 합니다. |
| 전력공급선의 전압 강하, 순간 정전 및 전압 변화 IEC 61000-4-11 | 0% U_n 0.5주기 0% U_n 1주기 70% U_n 25주기 0% U_n 5초 | 0% U_n 0.5주기 0% U_n 1주기 70% U_n 25주기 0% U_n 5초 | 주전원 전력 품질은 통상적인 상용 또는 병원 환경 수준의 품질이어야 합니다. 정전 시에도 트랜스미터를 계속 작동해야 하는 경우 무정전 전원 공급 장치 또는 배터리를 사용해 무선 트랜스미터에 전력을 공급하십시오. |
| 전원 주파수(PF) (50/60Hz) 자기장 IEC 61000-4-8 | 30A/m | 30A/m | 전원 주파수 자기 영역은 통상적인 상용 또는 병원 환경 위치의 특성을 갖춘 수준이어야 합니다. |

참고: U_n 는 시험수준 적용 이전의 AC 주전원 전압입니다.

안내 및 제조자 공지: 전자파 내성

VisionPro 26" LED 디스플레이 및 VisionPro SYNK 26" 무선 LED 디스플레이는 아래와 같은 전자파 환경에서 사용되도록 만들어졌습니다.

고객 또는 디스플레이 사용자는 해당 환경에서 본 제품을 사용해야 합니다.

| 내성 테스트 | IEC 60601 테스트 수준 | 준수 수준 | 전자파 환경 - 지침 |
|--|---|------------------------|---|
| <p>유도 RF IEC 61000-4-6</p> <p>방사성 RF IEC 61000-4-3</p> | <p>3Vrms 150kHz - 80MHz</p> <p>10V/m 80MHz - 2.7GHz</p> | <p>3V</p> <p>10V/m</p> | <p>휴대용 무선 RF 통신 장비는 케이블을 포함한 디스플레이와의 거리가 트랜스미터 주파수에 해당하는 등식으로 산출된 권장 이격 거리보다 가까운 곳에서 사용해서는 안 됩니다.</p> <p>권장 이격 거리: $d = 2\sqrt{P}$ 80MHz - 2.7GHz</p> <p>여기서 P는 트랜스미터 제조업체가 정하는 와트(W) 단위의 트랜스미터 최대 정격 출력이며 d는 미터(m) 단위의 권장 이격 거리입니다.</p> <p>현장 전자파 조사를 통해 결정되는 고정 RF 트랜스미터의 자기장 강도(a)는 각 주파수 범위의 준수 수준(b)보다 적어야 합니다.</p> <p>다음과 같은 기호가 표시된 장비 근처에서는 간섭 현상이 일어날 수 있습니다.</p>  |
| <p>(a) 무선 전화기, 지상파 무선기, 아마추어 무선통신 장비, AM/FM 라디오 방송 기지국, TV 방송 기지국 같은 고정 트랜스미터의 자기장 강도는 이론적으로 정확히 예측할 수 없습니다. 고정 RF 트랜스미터로 인한 전자파 환경을 평가하려면 현장 전자파 조사를 고려해야 합니다. VisionPro 26" LED 디스플레이 및 VisionPro SYNK 26" 무선 LED 디스플레이가 사용되는 장소에서 측정된 전계 강도가 상기의 적용 가능한 RF 준수 레벨을 초과하는 경우, 디스플레이와 트랜스미터의 정상 작동 여부를 확인해야 합니다. 비정상 작동이 관찰될 경우 디스플레이의 재설정 또는 재배치 등의 추가 조치가 필요할 수 있습니다.</p> <p>(b) 주파수 범위가 150kHz - 80MHz를 넘을 경우 전계 강도는 3V/m 미만이어야 합니다.</p> | | | |

| RF 무선 통신 장비에 대한 내성 테스트 사양 | | | | | | |
|---|-----------|---|----------------------|-----------|--------|-----------------|
| 테스트 주파수 (MHz) | 대역 (MHz) | 서비스 (Service) | 변조 | 최대 전원 (W) | 거리 (m) | 내성 테스트 레벨 (V/m) |
| 385 | 380-390 | TETRA 400 | 펄스 변조 18 Hz | 1.8 | 0.3 | 27 |
| 450 | 430-470 | GMRS 460, FRS 460 | FM ± 5kHz 편차 1kHz 사인 | 2 | 0.3 | 28 |
| 710 | 704-787 | LTE 대역 13, 17 | 펄스 변조 217 Hz | 0.2 | 0.3 | 9 |
| 745 | | | | | | |
| 780 | | | | | | |
| 810 | 800-960 | GSM 800/900, TETRA 800, iDEN 820, CDMA 850, LTE 대역 5 | 펄스 변조 18 Hz | 2 | 0.3 | 28 |
| 870 | | | | | | |
| 930 | | | | | | |
| 1720 | 1700-1990 | GSM 1800; CDMA 1900; GSM 1900; DECT; LTE 대역 1, 3, 4, 25; UMTS | 펄스 변조 217 Hz | 2 | 0.3 | 28 |
| 1845 | | | | | | |
| 1970 | | | | | | |
| 2450 | 2400-2570 | Bluetooth, WLAN, 802.11 b/g/n, RFID 2450, LTE 대역 7 | 펄스 변조 217 Hz | 2 | 0.3 | 28 |
| 5240 | 5100-5800 | WLAN 802.11 a/n | 펄스 변조 217 Hz | 0.2 | 0.3 | 9 |
| 5500 | | | | | | |
| 5785 | | | | | | |
| 참고: 휴대용 RF 통신 장비는 VisionPro 26 " LED 디스플레이 및 VisionPro SYNK 26 " 무선 LED 디스플레이와 30 cm 이상의 거리를 두고 사용하는 것이 좋습니다. 그렇지 않으면 이 장비의 성능이 저하될 수 있습니다. | | | | | | |
| Stryker Endoscopy는 VisionPro SYNK 26" 무선 LED 디스플레이가 Directive 1999/5/EC의 필수 요구 사항 및 기타 관련 조항을 준수함을 선언합니다. 적합성 선언문의 사본은 Stryker Endoscopy, 5900 Optical Court, San Jose, CA, 95138, USA에서 받을 수 있습니다. | | | | | | |

기호 및 정의(Symbols and Definitions)

다음 기호는 제품, 라벨링 또는 제품 포장에 나타납니다. 각 기호는 특별한 의미를 갖고 있으며 아래와 같이 정의됩니다.



사용 지침 참조



주의: 사용 지침 참조



일련 번호



수량



온도 범위



습도 범위



유럽 공인 대리점



원산지



카탈로그 번호



직류



제조일



법적 제조업체



FCC B 및 C등급 표준 준수에 대한 테스트를 거쳤습니다.



무선 전송



미연방법은 본 기기를 의사 지시또는주문이있을경우에만 판매하도록 제한합니다.



본 기기는 유럽 연합 의료 기기 요건을 충족합니다



기기 재활용 코드(중국에서 적용 가능)



중국 강제 인증 마크

IP23

다음에 대한 보호를 제공하는 엔클로저가 제공됩니다.

- 손가락 또는 유사한 물체가 위험한 부품에 접근
- 물 분무(수직에서 60° 미만)



오스트레일리아 규제 요구사항 준수



의료 장비는 감전, 화재 및 기계적 위험과 관련하여 AAMIE560601-1 및 CSA C22.2 No. 60601-1-08-CAN/CSA를 따릅니다.



본 제품에는 전자 폐기물 및 전자 장비가 포함되어 있습니다. 본 제품은 절대로 미분류된 도시 폐기물로 폐기되어서는 안 되며 반드시 별도로 분리 수거해야 합니다.



유럽 연합의 의료 기기

stryker[®]



Produced for:
Stryker Endoscopy
5900 Optical Court
San Jose, CA 95138 USA
1-800-624-4422

U.S. Patents: www.stryker.com/patents

Products referenced with [™] designation
are trademarks of Stryker.

Products referenced with [®] designation
are registered trademarks of Stryker.

P23894M

2020/08