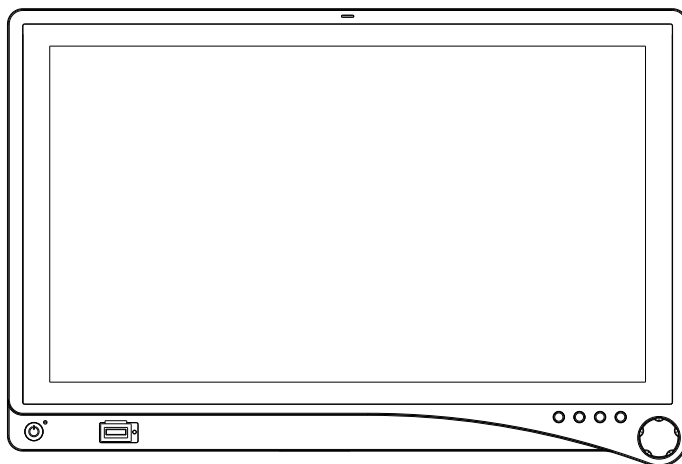


stryker®

VisionPro 26" LED Display

REF VisionPro 26" LED Display: 0240-031-020

VisionPro SYNK 26" Wireless LED Display: 0240-031-000



CE **R_x** ONLY

Table of Contents

Warnings and Cautions	1
About Your Device	3
Intended Use and Indications for Use	4
Contraindications.....	4
Package Contents	5
Device Features.....	6
Setup.....	11
Connections.....	11
Basic Video Setup.....	13
Operation	14
On-Screen Display (OSD).....	14
OSD Menus.....	16
Troubleshooting.....	18
Cleaning and Maintenance.....	19
Technical Specifications	20
Electromagnetic Compatibility.....	22
Symbols and Definitions	25

Warnings and Cautions

Please read this manual and follow its instructions carefully. The words warning, caution, and note carry special meanings and should be carefully reviewed:

Warning: Indicates measures to avoid potential serious injury to the user and the patient.

Caution: Indicates risks to the equipment. Failure to follow cautions may result in product damage.

Note: Provides special information to clarify instructions or present additional useful information.

Warnings

To avoid potential serious injury to the user and the patient, please note the following warnings:

1. Read this manual thoroughly and be familiar with its contents prior to using this device.
2. Federal law (United States of America) restricts this device to sale by, or on the order of, a physician.
3. Carefully unpack the device and check if any damage occurred during shipment.
4. This device is non-sterile and therefore should not be placed in the sterile field.
5. Do not place the device or any other heavy object on the power cord. Damage to the cable can cause fire or electric shock.
6. To avoid electric shock, avoid removing the bezel.
7. This device should not be used adjacent to or stacked with other devices. If adjacent or stacked use is necessary, the device should be observed to verify normal operation in the configuration in which it will be used.
8. Test this device prior to a surgical procedure. This device was fully tested at the factory before shipment.
9. Do not attempt internal repairs or adjustments not specifically detailed in this manual. Ensure that readjustments, modifications, and/or repairs are carried out by persons authorized by Stryker Endoscopy.
10. Do not put any object into the panel. If this occurs, unplug the device and have it checked by qualified personnel before operating it any further.
11. Use appropriate caution to prevent contact with fluids if the device is being used with a power supply in patient environments.
12. The use of cables and/or other accessories with this device, other than those specified, may result in increased emissions or decreased immunity of this device.

Cautions

1. Connect the device to an AC adapter connected to a hospital grade power cord ensuring the power cord is plugged into a grounded power outlet to achieve grounding reliability.
2. Do not sterilize the device, as the delicate electronics cannot withstand this procedure.
3. Use only the proprietary surgical display power supply for the display. Completely secure the connection between the DC power cord and the extension cord.
4. Never operate the device immediately after transportation from a cold location to a warm location.

5. To connect to an international power supply, use an attachment plug appropriate for the power outlet, as outlined in the "Technical Specifications" section of this manual.
6. Unplug the device if it is not to be used for an extended period of time. To disconnect the cord, unscrew the plug first, then pull the cord out by the plug. Never pull the cord itself.
7. Do not expose the device to moisture or apply liquid cleaners directly to the screen. Spray the cleaning solution onto a soft cloth and clean gently. For further detail, refer to the "Cleaning and Maintenance" section of this manual.
8. Allow adequate air circulation to prevent internal heat buildup. Do not place the device on surfaces (rugs, blankets, etc.) or near materials (curtains, draperies) that may block the ventilation slots. The device is cooled by natural convection and has no fan.
9. Do not touch the patient with signal input or output connectors. Equipment with SIP/ SOP connectors should either comply with IEC 60601-1 and/or IEC 60601-1-1 harmonized national standards or the combination should be evaluated for safety.
10. To ensure electromagnetic compatibility, refer to the "Electromagnetic Compatibility" section of this manual. The VisionPro 26" LED Display (0240-031-020) and the VisionPro SYNK 26" Wireless LED Display (0240-031-000) must be installed and operated according to the EMC information provided in this manual.
11. Pay close attention to the cleaning instructions in this manual. A deviation may cause damage.
12. Do not install the device near sunlight, excessive dust, mechanical vibration, or shock.
13. Do not position the device so that it is difficult to disconnect the power cord from the supply mains.
14. Do not operate with the glass device screen facing downward.
15. Handle the device with care. Do not strike or scratch the screen.
16. Changes or modifications not expressly approved by the party responsible for compliance could void the user's authority to operate the device.
17. **Note: This device has been tested and found to comply with the limit for a Class B digital device, pursuant to Part 15 of the FCC Rules. These limits are designed to provide reasonable protection against harmful interference in a residential installation. This device generates, uses, and can radiate radio frequency energy and, if not installed and used in accordance with the instructions, may cause harmful interference to radio communications. There is no guarantee that interference will not occur in a particular installation, which can be determined by turning the device off and on. The user is encouraged to try to correct the interference by one or more of the following measures:**
 - Reorient or relocate the receiving device.
 - Increase the separation distance between the device.
 - Connect the device to an outlet on a circuit different from that to which the other device(s) are connected.
 - Consult the manufacturer or field service technician for help.

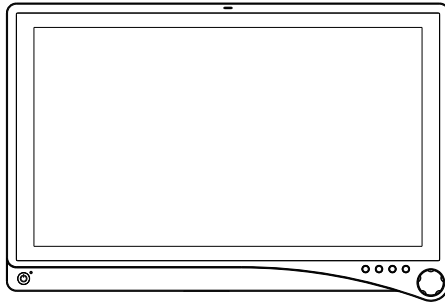
The warranty is void if any of these warnings or cautions are disregarded.

This product contains electrical waste or electronic equipment. It must not be disposed of as unsorted municipal waste and must be collected separately.

About Your Device

VisionPro 26" LED Display

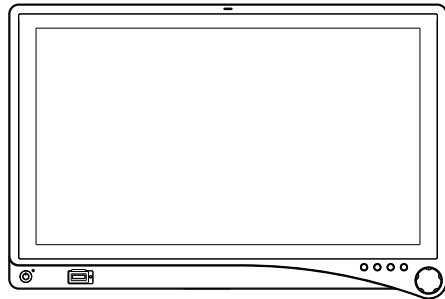
REF: 0240-031-020



The VisionPro 26" LED Display is a wide screen LED surgical display that can support a maximum resolution of WUXGA (1920x1200). The display supports the following video inputs: digital RGB, analog RGB, serial digital interface (SDI), component video (YPbPr/RGBS), S-video, and C-video/SOG. It also supports serial communication via the RS232 port.

VisionPro SYNK 26" Wireless LED Display

REF: 0240-031-000



The VisionPro SYNK 26" Wireless LED Display can be used with the optional SYNK Transmitter (0240-031-010), which allows it to receive a high-definition video signal over a radio-frequency link.

The display supports the following video inputs: DVI, S-Video, and C-Video/SOG. Once the wireless functionality is enabled, the display supports a wireless digital RGB video input. The display also supports a USB port and serial communication via the RS232 port.

Note: The wireless functionality of the VisionPro SYNK 26" Wireless LED Display can only be enabled via the SYNK Transmitter.

For details and instructions on using the SYNK Wireless Transmitter and the wireless functionality of the VisionPro SYNK 26" Wireless LED Display, refer to the SYNK Wireless System manual (P21693).

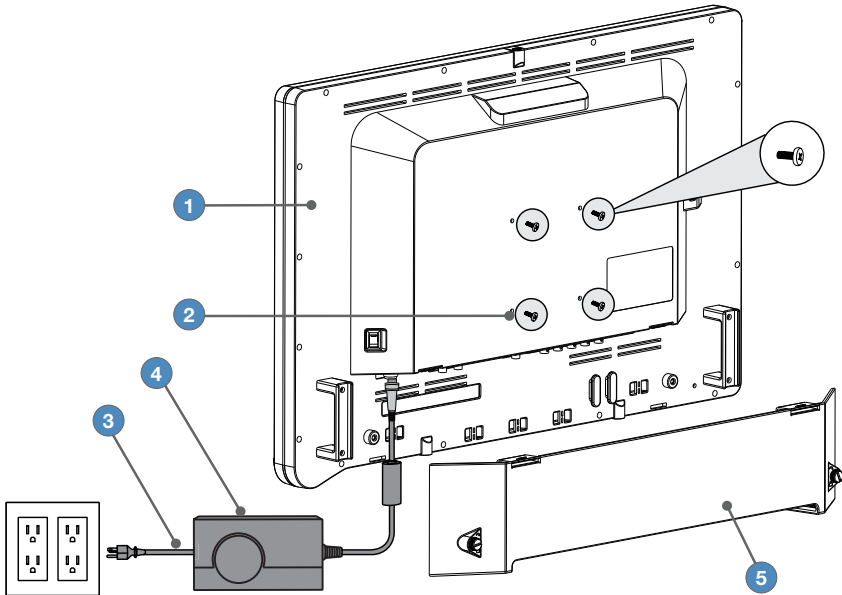
Intended Use and Indications for Use

The VisionPro SYNK 26" Wireless LED Display and the VisionPro 26" LED Display are intended for video display during surgical procedures including arthroscopy (orthopedic surgery), laparoscopy (general and gynecological surgery), thoracoscopy, endoscopy (general, gastroenterological, and ENT surgery) and general surgery. The display is a non-sterile reusable device not intended for use in the sterile field. The display is intended for use by qualified physicians having complete knowledge of these surgical procedures.

Contraindications

There are no known contraindications for this device.

Package Contents



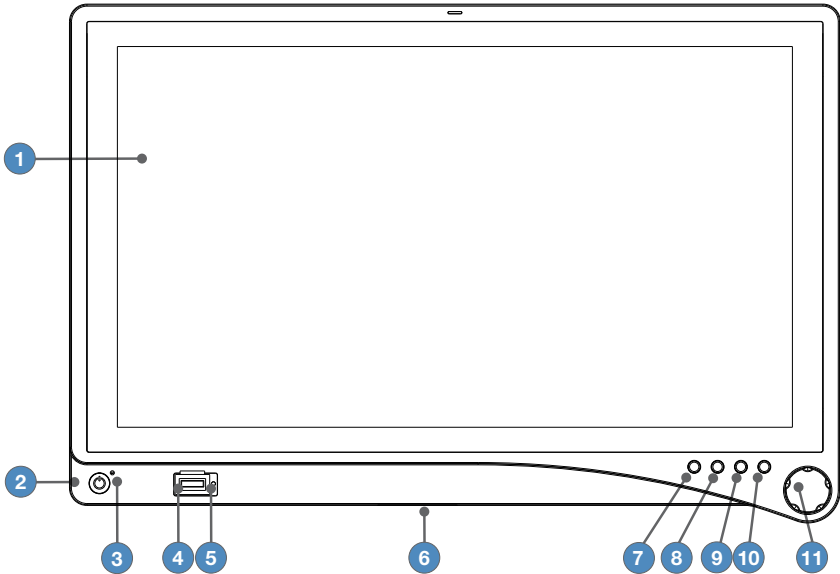
Reference	Part Number	Package Contents
1	0240-031-020 0240-031-000	VisionPro 26" LED Display or VisionPro SYNK 26" Wireless LED Display
2	–	(4) M4 × 16 mm VESA screws
3	–	Hospital-grade AC power cord
4	0240-031-004	Medical Power Supply
5	–	Cable Cover

Part Number	Optional Accessories
0240-031-002	VisionPro 26" Display Cover
0240-031-004	Medical Power Supply
0240-031-010	SYNK Wireless Transmitter
0240-030-951	15-ft. (5 pin) DC extension cable
0240-030-952	75-ft. (5 pin) DC extension cable

Device Features

Front panel

Operate the display using the rotary control located on the front panel. A list of the display controls and their functions is provided below.



- | | |
|---|--|
| 1. Display Screen | Shows video image. |
| 2. Power switch (soft) | Powers the display ON and OFF. |
| 3. Power LED | Indicates current status:
Green - Display is powered on or is in screen saver mode
Blinking Red - Display is in sleep mode
Blinking Amber - Over or under voltage |
| 4. Token slot (VisionPro SYNK 26" Wireless LED Display only) | Token insertion site used to establish a wireless connection with the transmitter. |
| 5. Token LED (VisionPro SYNK 26" Wireless LED Display only) | Green - Link is established
Amber - Initializing
Blinking Amber - Error, contact service representative |
| 6. Auxillary Connection | Supports auxilliary device connections. |

7. Audio/PIP

VisionPro 26" LED Display:

Accesses the Picture in Picture adjustment menu.

VisionPro SYNK 26" Wireless LED Display:

Press twice for Picture in Picture adjustment menu.

Note: Audio functionality is not enabled at this time.

8. Bright

Accesses the Brightness adjustment menu

9. Specialty

Accesses the Specialty adjustment menu

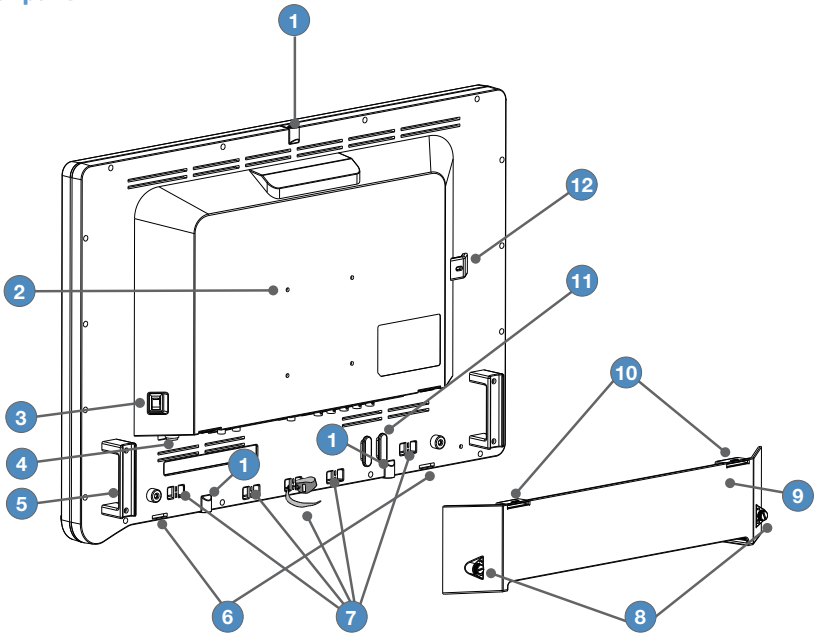
10. Input

Accesses the Input Selection menu

11. Rotary control

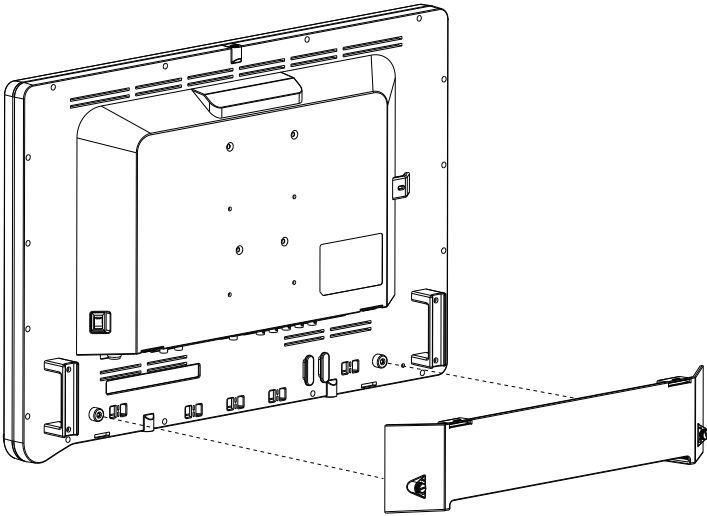
Accesses the on-screen display and navigates through its functions.

Rear panel



- | | |
|-----------------------------------|--|
| 1. Accessory mounts (3) | Provide an access point for mounting optional accessories. |
| 2. VESA mounting holes | Provide access points for mounting the display. |
| 3. Power switch (hard) | Powers the input DC power ON and OFF. |
| 4. Power connector | Connects to the 24V DC power supply. |
| 5. Handles | Aid in display positioning.
Caution: The handles are not intended to bear the entire weight of the display |
| 6. Cable cover hinges | Attach the bottom of the cable cover to the display. |
| 7. Velcro straps | Straps aid in cable management. |
| 8. Cable cover thumbscrews | Attach the cable cover to the display, and are tightened or loosened using fingers. |
| 9. Cable cover | Covers and conceals cables. |
| 10. Cable cover clips | Attach the top of the cable cover to the display. |
| 11. Cable wrap | Provides a location for wrapping cables. |
| 12. Locking feature | A locking mechanism or cable may be routed here for security purposes. |

Cable Cover



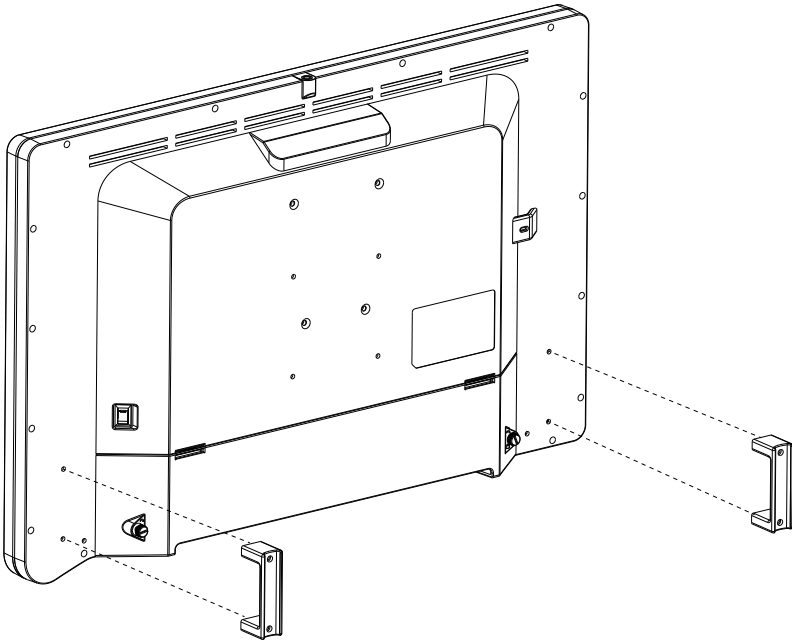
Installing the Cable Cover

1. Align the left and right hinges of the cable cover onto the bottom rear of the display.
2. Snap on the top section of the cable cover to the aligning clips.
3. With your fingers, turn the thumbscrews clockwise to tighten and lock the cable cover onto the display.

Removing the Cable Cover

1. With your fingers, turn the thumbscrews counterclockwise to loosen.
2. Once the thumbscrews are completely loosened, pinch the left and right clips and pull the cable cover towards you.
3. Remove the cable cover from the left and right hinges.

Display Handles



Caution: The handles are intended to aid in positioning the display, not for transporting the display. The handles should not bear the full weight of the display.

Removing the Display Handles

1. Using a 3mm hex key, loosen the two M4 x 30mm screws and gently pull the handle away from the display.

Installing the Display Handles

1. Align the handle with the screw holes on the rear of the display.
2. Using a 3mm hex key, install the two M4 x 30mm screws to attach the handle.

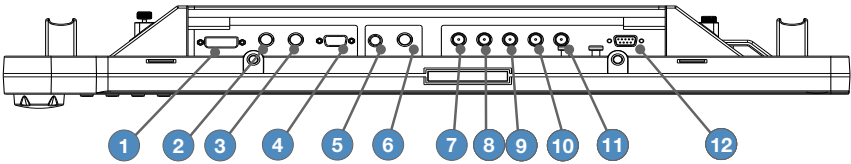
Setup

Stryker Endoscopy considers instructional training, or inservice, an integral part of this device. Your local Stryker Endoscopy sales representative will perform at least one inservice at your convenience to help set up your device and instruct you and your staff on its operation and maintenance. To schedule an inservice, contact your local Stryker Endoscopy representative after your device has arrived.

Connections

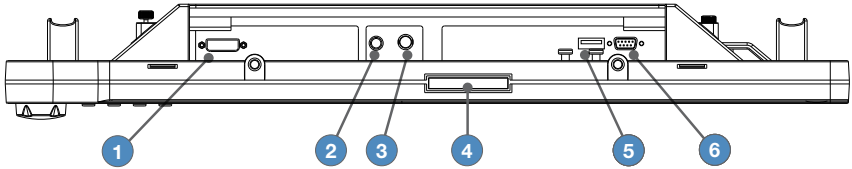
VisionPro 26" LED Display Connection Ports

Video input and output signals are connected to the rear of the display, as illustrated below:



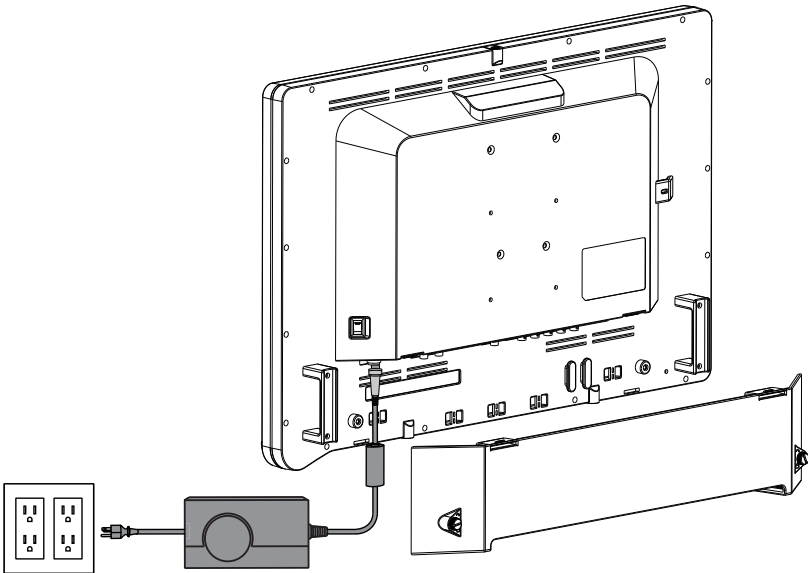
- | | |
|------------------------|------------|
| 1. DVI | 7. R/Pr |
| 2. 3G/HD/SD
SDI-in | 8. G/Y |
| 3. 3G/HD/SD
SDI-out | 9. B/Pb |
| 4. VGA | 10. H-sync |
| 5. S-Video | 11. V-sync |
| 6. C-Video/SOG | 12. RS232 |

VisionPro SYNK 26" Wireless LED Display Connection Ports



- | | |
|----------------|------------------------|
| 1. DVI | 4. Auxillary Connector |
| 2. S-Video | 5. USB |
| 3. C-Video/SOG | 6. RS232 |

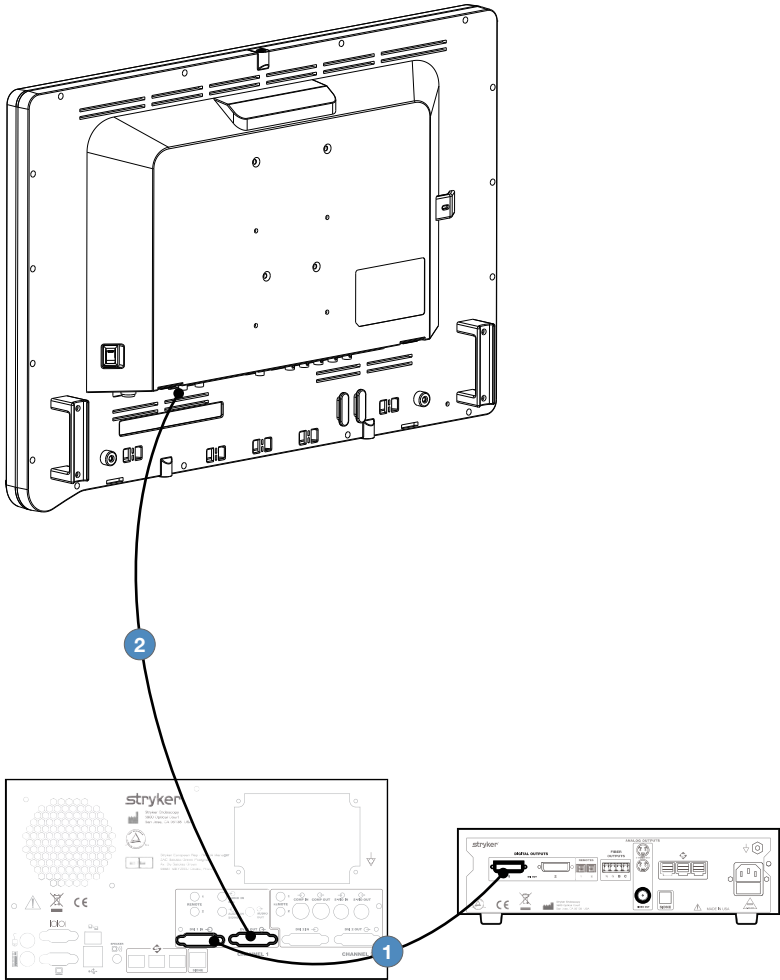
Connecting the Power Supply



1. Connect the power supply to the 24V input on the display.
2. Connect the AC power cord to the power supply*.
3. Connect the AC power, using the supplied hospital-grade power cord.
4. (Optional, not shown) Connect an extension cord between the power supply and display.
5. Install cable cover.

* Power supply information: Model Number: BPM150S24F11, Manufacturer: Bridgepower Corp.

Basic Video Setup



1. Route the video output 1 from the camera to the SDC DVI input.
2. Route the video output 1 from the SDC DVI output to the DVI input on the display.

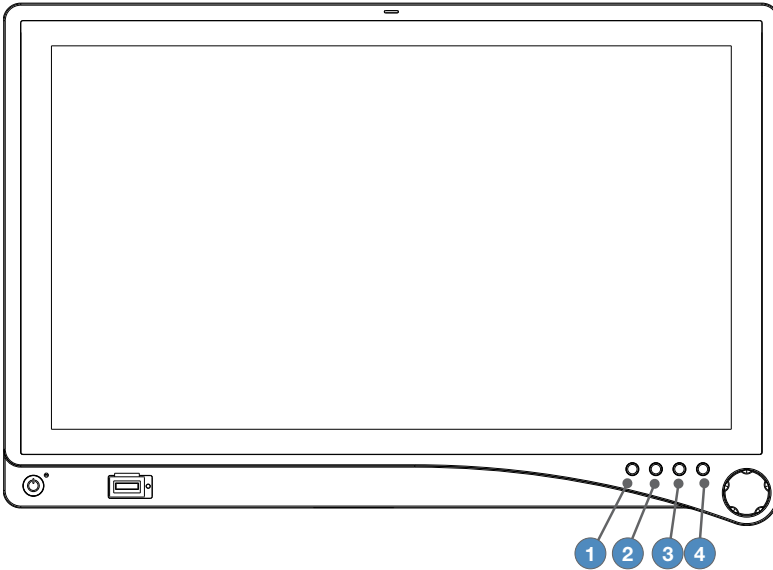
Note: Stryker recommends a backup connection to the camera.

Operation

Operate the display using the rotary control and the four buttons located on the front panel. A list of the display controls and their functions is provided below.

On-Screen Display (OSD)

Accessing the On-Screen Display



To use the four front-panel buttons:

1. **Audio/PIP (VisionPro SYNK 26" Wireless LED Display):**
 - Press twice to activate Picture Mode (Picture in Picture, Picture by Picture, Picture on Picture)
2. **PIP (VisionPro 26" LED Display):**
 - Press to activate Picture Mode (Picture in Picture, Picture by Picture, Picture on Picture)
3. **Bright:** Activates the Brightness adjustment menu.
4. **Specialty:** Activates the Specialty adjustment menu.
5. **Input:** Activates the Input selection menu.

Use the Rotary Control to navigate the on-screen menus once they are activated:

- **Push** — Accesses/selects on-screen display menu.
- **Turn Right/Left** — With the on-screen display menu activated, turning increases/decreases the value of the selected parameter.
- **Push and Hold** — Exits on-screen display menu.

Operating On-Screen Display

The device OSD helps navigate through various device menus.

1. Press the **Rotary Control** to activate the OSD menu.
2. Rotate the **Rotary Control** to move up or down through the menu.
The parameter is highlighted when selected.
3. Press the **Rotary Control** to enter the next level OSD.
4. Rotate the **Rotary Control** to increase or decrease the value of the selected parameter, or to make a selection on different options.
5. To exit the OSD menu screen from the second or third level OSD menu, select the Exit option. To completely exit the OSD, press and hold the **Rotary Control**. If no keys are pressed, the OSD will automatically exit after the factory-set predetermined time (the time is customizable).

OSD Menu

Speciality

Menu Item	Description	Range
Color Temperature*	Chooses between color temperatures for Lap A, Lap B, Arthro A, Arthro B, Standard, PACS, NORM, ENT, GYN.	—
Red	Red balance	-128 – 127
Green	Green balance	-128 – 127
Blue	Blue balance	-128 – 127
Gamma	Gamma value	0.1 – 2.5, S0, S1, S2

* Color Temperature RGB adjustment is available only for Standard, Arth, and Lap settings. PACS and Norm adjustments are only available under SOG input.

Audio (Menu not active at this time)

Brightness Settings

Menu Item	Description	Range
Brightness	Increases or decreases the brightness	0 – 100
Contrast	Increases or decreases the contrast	0 – 100
Phase**	Increases or decreases the Phase level	0 – 100
Chroma**	Increases or decreases the Chroma level	0 – 100
Image Sharpness	Sets image sharpness	1 – 10
Video Sharpness**	Increases or decreases the video sharpness	0 – 100

** Only available under SDI-, S-, or C-video input.

Image Effect

Menu Item	Description
Scale Mode	Chooses scale mode between Fill All, V-Fill, H-Fill, One-To-One, or Fill-Aspect
Freeze Frame	Enables or disables freeze frame
PIP	Enables PIP (picture in picture) function
POP	Enables POP (picture on picture) function
PBP	Enables PBP (picture by picture) function

Advanced Settings

Menu Item	Description
Key Lock	Key lock on: Disables all key functions Press and hold the rotary knob to turn off key lock.
Auto Source Select	Scans inputs until an active video source is detected. Auto Source Select is disabled during PIP/POP/PBP mode.
Sleep Timer	On: The display enters sleep mode if no active video source is detected.
	Off: The display will not enter sleep mode.
	Timer: Set the time until the display enters sleep mode if no active video source is detected.
OSD Control	Controls OSD (On Screen Display) Menu Position, Background, and Timeout
Restore Factory Settings	Sets to factory default
Screen Control	VGA <ul style="list-style-type: none"> • Horizontal • Vertical • Phase • Frequency
	S-Video, C-Video, SOG, RGBs, Component <ul style="list-style-type: none"> • Horizontal • Vertical

SYNK (for the VisionPro SYNK 26" Wireless LED Display)

Status	Description
RX APP: XX.XX.XX RX MAC: XX.XX.XX.XX	Receiver
TX APP: XX.XX.XX TX MAC: XX.XX.XX.XX	Transmitter
WiFi SW: XXX-X.XX SIGNAL = Excellent, Good, Poor Default Region: XX FREQ: XXXX MHz	Transmitter

Information

Menu Item	Description
User Name Entry	Enters custom user name display for boot-up display
Serial Number	Displays device serial number
Runtime	Displays current device total run time
Input Format	Displays current input format

Note: Actual on-screen display values may vary with updated versions of the firmware and user settings.

Troubleshooting

Before returning your display for service, consult the troubleshooting list below:

Problem	Current Status	Remedy
No picture	Power LED on	Using the OSD Menu, adjust the brightness and contrast to maximum, or reset them to their default settings.
	Power LED off	Ensure the power switch at the front and rear of the display are set to ON.
		Check if the AC power cord is properly connected to the AC adapter and outlet.
		Check that the power supply is fully connected and functioning properly.
	Power LED blinking	Red
Amber		The power supply may be over or under voltage.
Abnormal picture	Oversized, undersized, or missing video; or center shift.	Using the Screen Control Menu, adjust the Phase, Frequency, Horizontal, and Vertical settings in order to correct the display image.
		Adjust settings in Scale Mode
		For VGA input only: push and hold the rotary control for 1-2 seconds to re-sync the video feed.
		Wait a few seconds after initial sync of video signals, or power cycle the display.
OSD error message	"Out of Range"	Ensure that an acceptable video source is connected.
Token LED blinking amber	Error	Contact service representative.

Cleaning and Maintenance



Warning

To avoid electric shock and potentially fatal injury, unplug the display and power supply from the electrical outlet before cleaning.

Caution

- Do not spray cleaning liquid directly onto the display or the power supply as product damage may result. Spray on the cloth before wiping the unit.
- Do not immerse the display or power supply in any liquid as product damage will result.
- Do not use corrosive cleaning solutions to clean the display or power supply as product damage may result.
- Do not sterilize the display or power supply as product damage may result.

Cleaning

To clean the display or the power supply:

1. If the display cover is in place, remove the cover prior to cleaning.
2. **For the VisionPro SYNK 26" Wireless LED Display:** Make sure to place the cover on the token slot prior to cleaning.
3. Apply standard disinfectant or mild detergent to a dry sterile cloth.
4. Wipe the display or power supply.
5. Take extra care when cleaning the display screen. Excess liquid or drips that enter the bottom of the screen or the power supply receptacle may result in product damage.

Disposal



This product contains electrical waste or electronic equipment. It must not be disposed of as unsorted municipal waste and must be collected separately in accordance with applicable national or institutional related policies relating to obsolete electronic equipment.

Dispose of any system accessories according to normal institutional practice relating to potentially contaminated items.

Technical Specifications

Display

LCD Display Panel	26" (661 mm) Diagonal (a-Si TFT active matrix LCD)
Synchronization	2.5 – 5.0 Vpp separated sync
Pixel Pitch	0.300 (H) x 0.300 (V) mm
Response Time	< 18 ms Typ
Viewing Angle	Right/Left/Up/Down 89 Degrees
Display Colors	1 billion colors (10 bit)
Native Resolution	1920 (H) dots x 1080 (V) lines
VisionPro 26" LED Display Signals	DVI, VGA, 3G/HD/SD-SDI (In/Out), C-Video/SOG, S-Video, Component/RGBs (Y/G, Pb/B, Pr/R, HS, VS), RS232
VisionPro SYNK 26" Wireless LED Display Signals	Wireless digital RGB, DVI, S-Video, C-Video/SOG, RS232 and USB
Maximum Pixel Clock	165 MHz

Electrical

Power Adapter	Input: 100 – 240 VAC; 50 – 60 Hz; 2.5 A (2.5A - 1.5A) Output: 24V DC; 6.25A (150W Max) Model Number: BPM150S24F11
Power Consumption (approximate)	35 - 65 Watts

Current/Voltage Rating

Please ensure the respective power cord complies with applicable local regulations and standards.

110V +/- 10V power outlets	Select a power supply cord that is UL Listed and C.S.A Certified, type SJT or SVT, 3 – conductor, 18AWG, terminated in a molded on hospital grade plug cap rated 110V +/- 10V, 15A, with a minimum length of six feet.
220V +/- 20V power outlets	Select a power supply cord that is internationally harmonized and marked "<HAR>", 3 – conductor, 0.75 mm ² minimum wire, rated 220V +/- 20V, 10A with a PVC insulated jacket. The cord must have a molded on plug cap rated 220V +/-20V, 10A. The cord and plug cap must be suitable for medical use.

Dimensions

Dimensions (W x H x D)	660.4 x 442 x 86.4 mm 26 x 17.4 x 3.4 in
Weight (approximate)	8.3 kg; 18.3 lbs.

VESA Mounting Interface

VESA 100 × 100 mm

Operating Conditions

Temperature Range	50 – 104°F (10 – 40°C)
Relative Humidity Range	25 – 75%

Transport and Storage Conditions

Temperature Range	0 - 140°F (-18 - 60°C)
Relative Humidity Range	15% -90%

Classification and Approvals

Class 1 Equipment

Medical equipment with respect to electric shock, fire, and mechanical hazards only in accordance with UL 60601-1 and CAN/CSA C22.2 No. 601.1.

IP23: Protection against access to hazardous parts from fingers or similar objects, protection from ingress of spraying water (less than 60° from vertical)

Continuous Operation

Compliance

FCC Regulations

VisionPro 26" LED Display:

FCC Part 15 Class B

FCC Identifier: QVXAMM261WTDS

VisionPro SYNK 26" Wireless LED Display:

FCC Part 15 Class B

FCC Identifier: QVXAMM261WTDSW

FCC Part 15 Class C

FCC Identifier: SSH-SYNKRX (Receiver Board)

FCC Identifier: SSH-SDMAN (Accessory Board)

IC Regulations

VisionPro SYNK 26" Wireless LED Display:

IC: 4919C-SYNKRX (Receiver Board)

IC: 4919C-SDMAN (Accessory Board)

Note: Please contact your local Stryker Endoscopy sales representative for information on changes and new products.

Electromagnetic Compatibility

Like other electrical medical equipment, the VisionPro 26" LED Display, and the VisionPro SYNK 26" Wireless LED Display require special precautions to ensure electromagnetic compatibility with other electrical medical devices. To ensure electromagnetic compatibility (EMC), the display must be installed and operated according to the EMC information provided in this manual. The display has been designed and tested to comply with IEC 60601-1-2 requirements for EMC with other devices.



Warning

When this device is connected with other electrical equipment, leakage currents may be additive. To minimize total leakage current per patient, ensure that all systems are installed according to the requirements of IEC 60601-1-1.

Caution

Portable and mobile RF communications equipment may affect the normal function of the display.

Do not use cables or accessories other than those provided with the display, as this may result in increased electromagnetic emissions or decreased immunity to such emissions.

If the display is used adjacent to or stacked with other equipment, observe and verify normal operation of the display in the configuration in which it will be used prior to using it in a surgical procedure. Consult the tables below for guidance in placing the display.

Guidance and Manufacturer's Declaration: Electromagnetic Emissions

The VisionPro 26" LED Display, and the VisionPro SYNK 26" Wireless LED Display are intended for use in the electromagnetic environment specified below. The customer or the user of the display should ensure it is used in such an environment.

Emissions test	Compliance	Electromagnetic Environment - guidance
RF emissions CISPR 11	Group 1	The displays use RF energy only for their internal function; therefore, their RF emissions are very low and are not likely to cause any interference in nearby electronic equipment.
RF emissions CISPR 11	Class B	The displays are suitable for use in all establishments other than domestic establishments and those directly connected to the public low-voltage power supply network that supplies buildings used for domestic purposes, provided the following warning is heeded: Warning: This system is intended for use by health care professionals only. This system may cause radio interference or may disrupt the operation of nearby equipment. It may be necessary to take mitigation measures, such as reorienting or relocating the system or shielding the location.
Harmonic emissions IEC61000-3-2	Class D	
Voltage Fluctuations/ flicker emissions IEC61000-3-3	Complies	

Guidance and Manufacturer's Declaration — Electromagnetic Immunity

The VisionPro 26" LED Display, and the VisionPro SYNK 26" Wireless LED Display is intended for use in the electromagnetic environment specified below. The customer or the user of the display should ensure that it is used in such an environment.

Immunity Test	IEC 60601 Test Level	Compliance Level	Electromagnetic Environment--Guidance
Electrostatic Discharge (ESD) IEC61000-4-2	± 6kV contact ± 8kV air	± 6kV contact ± 8kV air	Floors should be wood, concrete, or ceramic tile. If floors are covered with synthetic material, the relative humidity should be at least 30%.


Electrical fast transient/burst IEC61000-4-4	± 2kV for power supply lines ± 1kV for input/output lines	± 2kV line to ground ± 1kV line to line	Mains power quality should be that of a typical commercial or hospital environment.
Surge IEC61000-4-5	± 1kV differential mode ± 2kV common mode	± 1kV differential mode ± 2kV common mode	Mains power quality should be that of a typical commercial or hospital environment
Voltage dips, short interruptions and voltage variations on power supply input lines IEC61000-4-11	<ul style="list-style-type: none"> • <5% U_T (>95% dip in Ut) for 0.5 cycle • 40% U_T (60% dip in Ut) for 5 cycles • 70% U_T (30% dip in Ut) for 25 cycles • <5% U_T (>95% dip in Ut) for 5 sec. 	<ul style="list-style-type: none"> • <5% U_T (>95% dip in Ut) for 0.5 cycle • 40% U_T (60% dip in Ut) for 5 cycles • 70% U_T (30% dip in Ut) for 25 cycles • <5% U_T (>95% dip in Ut) for 5 sec 	Mains power quality should be that of a typical commercial or hospital environment. If the user of the transmitter requires continued operation during power mains interruptions, it is recommended that the Wireless Transmitter be powered from an uninterruptible power supply or a battery.
Power frequency (50/60Hz) magnetic field IEC 61000-4-8	3.0 A/m	3.0 A/m	Power-frequency magnetic fields should be at levels characteristic of a typical location in a typical commercial or hospital environment.

Note: U_T is the AC mains voltage prior to application of the test level.

Guidance and Manufacturer's Declaration: Electromagnetic Immunity

The VisionPro 26" LED Display and the VisionPro SYNK 26" Wireless LED Display are intended for use in the electromagnetic environment specified below.

The customer or the user of the display should ensure that it is used in such an environment.

Immunity Test	IEC 60601 Test level	Compliance Level	Electromagnetic Environment - Guidance
Conducted RF IEC 61000-4-6	3 Vrms 150 kHz to 80 MHz	3 V	Portable and mobile RF communications equipment should be used no closer to any part of the displays, including their cables, than the recommended separation distance calculated from the equation applicable to the frequency of the transmitter. Recommended Separation Distance: $d = 1.17\sqrt{P}$ $d = 1.17\sqrt{P}$ 80 MHz to 800 MHz $d = 2.33\sqrt{P}$ 800 MHz to 2.5 GHz where P is the maximum output power rating of the transmitter in watts (W) according to the transmitter manufacturer and d is the recommended separation distance in meters (m). Field strengths from fixed RF transmitters, as determined by an electromagnetic site survey (a), should be less than the compliance level in each frequency range(b). Interference may occur in the vicinity of equipment marked with the following symbol: 
Radiated RF IEC 61000-4-3	3 V/m 80MHz to 2.5 GHz	3 V/m	

NOTE 1: At 80 MHz and 800 MHz, the higher frequency range applies.

NOTE 2: These guidelines may not apply in all situations. Electromagnetic propagation is affected by absorption and reflection from structures, objects, and people.

(a) Field strengths from fixed transmitters, such as base stations for radio (cellular/cordless) telephones and land mobile radios, amateur radio, AM and FM radio broadcast, and TV broadcast, cannot be predicted theoretically with accuracy. To assess the electromagnetic environment due to fixed RF transmitters, an electromagnetic site survey should be considered. If the measured field strength in the location in which the VisionPro 26" LED Display and the VisionPro SYNK 26" Wireless LED Display are used exceeds the applicable RF compliance level above, the display and transmitter should be observed to verify normal operation. If abnormal performance is observed, additional measures may be necessary, such as reorienting or relocating the display.

(b) Over the frequency range 150 kHz to 80 MHz, field strengths should be less than 3 V/m.

Recommended Separation Distances Between Portable and Mobile RF Communications Equipment and the VisionPro 26" LED Display or VisionPro SYNK 26" Wireless LED Display

The displays are intended for use in an electromagnetic environment in which radiated RF disturbances are controlled. The user of the displays can help prevent electromagnetic interference by maintaining a minimum distance between portable and mobile RF communications equipment (transmitters) and the displays as recommended below, according to the maximum output power of the communications equipment.

Rated maximum output power (W) of transmitter	Separation distance (m) according to frequency of transmitter		
	150 kHz to 80 MHz $d = 1.17\sqrt{P}$	80 kHz to 800 MHz $d = 1.17\sqrt{P}$	800 kHz to 2.5 GHz $d = 1.17\sqrt{P}$
0.01	0.12	0.12	0.23
0.1	0.37	0.37	0.74
1	1.17	1.17	2.33
10	3.70	3.70	7.37
100	11.70	11.70	23.30
For transmitters rated at a maximum output power not listed above, the recommended separation distance (d) in meters (m) can be estimated using the equation applicable to the frequency of the transmitter, where P is the maximum output power rating of the transmitter in watts (W) according to the transmitter manufacturer.			
Note 1: At 80 MHz and 800 MHz, the separation distance for the higher frequency range applies.			
Note 2: These guidelines may not apply in all situations. Electromagnetic propagation is affected by absorption and reflection from structures, objects, and people.			
Hereby, Stryker declares that the VisionPro SYNK 26" Wireless LED Display is in compliance with the essential requirements and other relevant provisions of Directive 1999/5/EC. A copy of the declaration of conformity may be obtained from Stryker Endoscopy, 5900 Optical Court, San Jose, CA, 95138, USA.			

Symbols and Definitions

The following symbols appear on the product, its labeling, or the product packaging. Each symbol carries a special definition, as defined below:



Consult Instructions for Use



Attention:
See Instructions for Use



Serial Number



Quantity



Temperature range



Humidity range



Authorized European Representative



Country of Origin



Catalog number



Direct Current



Date of Manufacture



Legal manufacturer



Tested to comply with FCC Class B and C standards



Wireless Transmission



Federal law restricts this device to sale by or on the order of a physician



Complies with the requirements of directive 93/42/EEC



Device recycling code (applicable in China)



China Compulsory Certificate Mark

IP23

Enclosure provides protection against:

- Access to hazardous parts from fingers or similar objects
- Spraying water (less than 60° from vertical)



Complies with Australian regulatory requirements



Medical Equipment is in accordance with AAMI ES60601-1 and CSA C22.2 No. 60601-1-08-CAN/CSA in regards to electric shock, fire hazards, and mechanical hazards



This product contains electrical waste or electronic equipment. It must not be disposed of as unsorted municipal waste and must be collected separately.

stryker[®]



Produced for:
Stryker Endoscopy
5900 Optical Court
San Jose, CA 95138 USA
1-800-624-4422

U.S. Patents: www.stryker.com/patents

Products referenced with [™] designation
are trademarks of Stryker.

Products referenced with [®] designation
are registered trademarks of Stryker.



P22286G
2016/05

WCR: None